

US00D862388S

(12) **United States Design Patent**  
**Qiu et al.**

(10) **Patent No.:** **US D862,388 S**  
(45) **Date of Patent:** **\*\* Oct. 8, 2019**

- (54) **SOCKET**
- (71) Applicant: **SHENZHEN AVATAR CONTROLS CO., LTD.**, Shenzhen (CN)
- (72) Inventors: **Weihua Qiu**, Jiangsu (CN); **Lei Lei**, Jiangsu (CN)
- (73) Assignee: **SHENZHEN AVATAR CONTROLS CO., LTD.**, Shenzhen (CN)

- 8,011,930 B2 \* 9/2011 Lee ..... H01R 13/6675  
439/18
- D660,795 S \* 5/2012 Wen ..... D13/110
- D665,354 S \* 8/2012 Chen ..... D13/138.1
- D669,029 S \* 10/2012 Huang ..... D13/110
- D686,988 S \* 7/2013 Fawkes ..... D13/110
- D699,183 S \* 2/2014 Zaslavsky ..... D13/110
- D702,182 S \* 4/2014 Dunker ..... D13/110
- D713,788 S \* 9/2014 Hasegawa ..... D13/110
- D720,290 S \* 12/2014 Wu ..... D13/110
- D734,253 S \* 7/2015 Tinaphong ..... H02J 7/0004  
D13/108

(\*\*) Term: **15 Years**

(Continued)

(21) Appl. No.: **29/657,246**

OTHER PUBLICATIONS

(22) Filed: **Jul. 20, 2018**

Amazon.com: MaxKare WiFi Smart Plug. Published Jun. 2, 2018. Retrieved from the internet at <<https://www.amazon.com/MaxKare-Wireless-Electrical-Compatible-assistant/dp/B07DGW6DKL/>>. May 16, 2019. 1 page. (Year: 2018).\*

(30) **Foreign Application Priority Data**

Feb. 6, 2018 (CN) ..... 2018 3 0055381

(51) **LOC (12) Cl.** ..... **13-03**

(52) **U.S. Cl.**  
USPC ..... **D13/137.2**

(58) **Field of Classification Search**  
USPC ..... D13/107, 108, 110, 123, 133,  
D13/137.1–137.4, 138.1–138.2,  
D13/139.1–139.8, 152, 154, 184  
CPC ..... H01R 11/00; H01R 9/00; H01R 13/00;  
H01R 13/04; H01R 13/10; H01R  
13/6666; H01R 13/6675; H01R 25/00;  
H01R 25/006; H01H 2207/00; H01H  
2207/022

See application file for complete search history.

*Primary Examiner* — Rosemary K Tarcza

*Assistant Examiner* — Christy M Nemeth

(74) *Attorney, Agent, or Firm* — Novick, Kim & Lee,  
PLLC; Allen Xue; Hyun Woo Shin

(56) **References Cited**

U.S. PATENT DOCUMENTS

- D432,990 S \* 10/2000 Stekelenburg ..... D13/137.3
- D454,538 S \* 3/2002 Glickman ..... D13/110
- D561,694 S \* 2/2008 Lam ..... D13/110
- D582,346 S \* 12/2008 Zhou ..... D13/137.2
- D588,065 S \* 3/2009 Wadsworth ..... D13/137.2
- D638,355 S \* 5/2011 Chen ..... D13/110

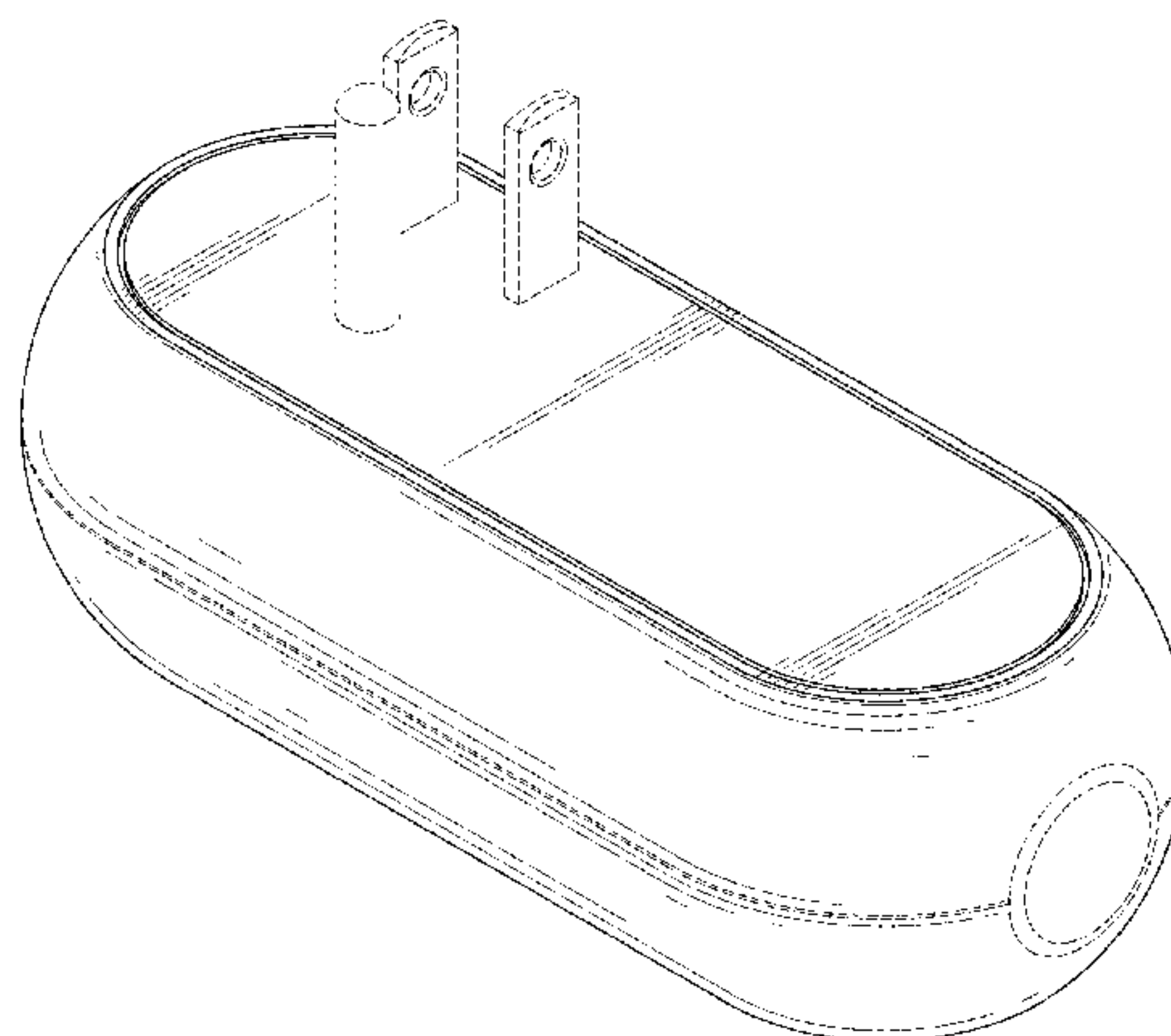
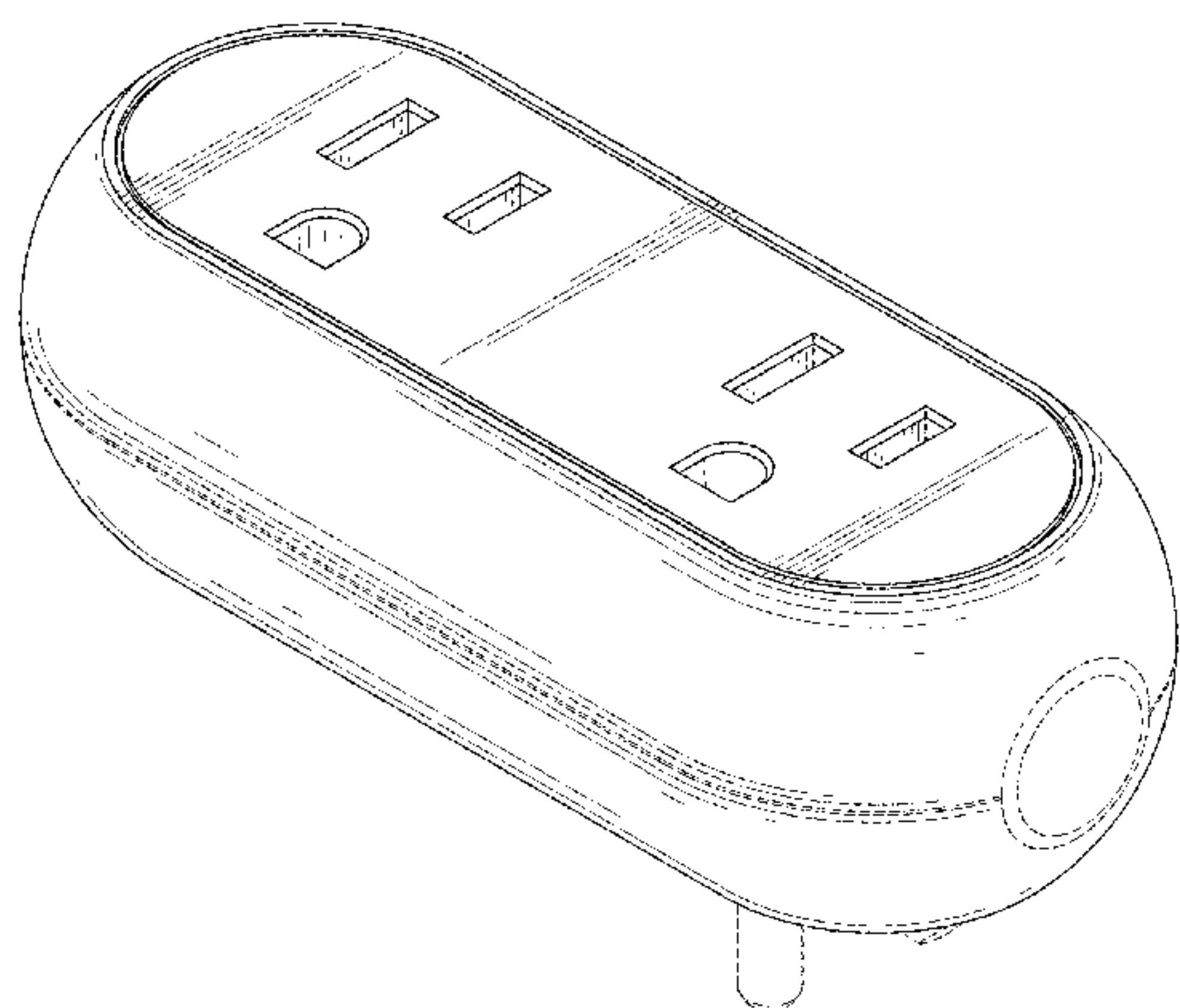
(57) **CLAIM**

We claim the ornamental design for a socket, as shown and described.

**DESCRIPTION**

FIG. 1 is a bottom, front perspective view of a socket, showing our new design;  
FIG. 2 is a top, rear perspective view thereof;  
FIG. 3 is a front elevational view thereof;  
FIG. 4 is a rear elevational view thereof;  
FIG. 5 is a left side elevational view thereof;  
FIG. 6 is a right side elevational view thereof;  
FIG. 7 is a top plan view thereof; and,  
FIG. 8 is a bottom plan view thereof.  
The broken lines in the drawings show portions of the socket which form no part of the claimed design.

**1 Claim, 8 Drawing Sheets**



(56)

**References Cited**

U.S. PATENT DOCUMENTS

D755,127	S	*	5/2016	Wong	.....	D13/137.2
D756,303	S	*	5/2016	Kellenberger	.....	D13/137.1
D758,312	S	*	6/2016	Lin	.....	D13/137.2
D807,295	S	*	1/2018	Xu	.....	D13/137.2
D807,827	S	*	1/2018	Lu	.....	D13/137.2
D808,046	S	*	1/2018	Jianting	.....	D26/26
D816,614	S	*	5/2018	An	.....	D13/137.1
D819,570	S	*	6/2018	Zhong	.....	D13/137.1
D826,159	S	*	8/2018	Tao	.....	D13/137.2
D832,215	S	*	10/2018	Xu	.....	D13/137.2
D832,786	S	*	11/2018	Zhu	.....	D13/139.1
D835,042	S	*	12/2018	Qiu	.....	D13/137.2
D836,542	S	*	12/2018	Xu	.....	D13/107
D843,943	S	*	3/2019	Yang	.....	D13/137.2
D845,900	S	*	4/2019	Liu	.....	D13/137.2

\* cited by examiner

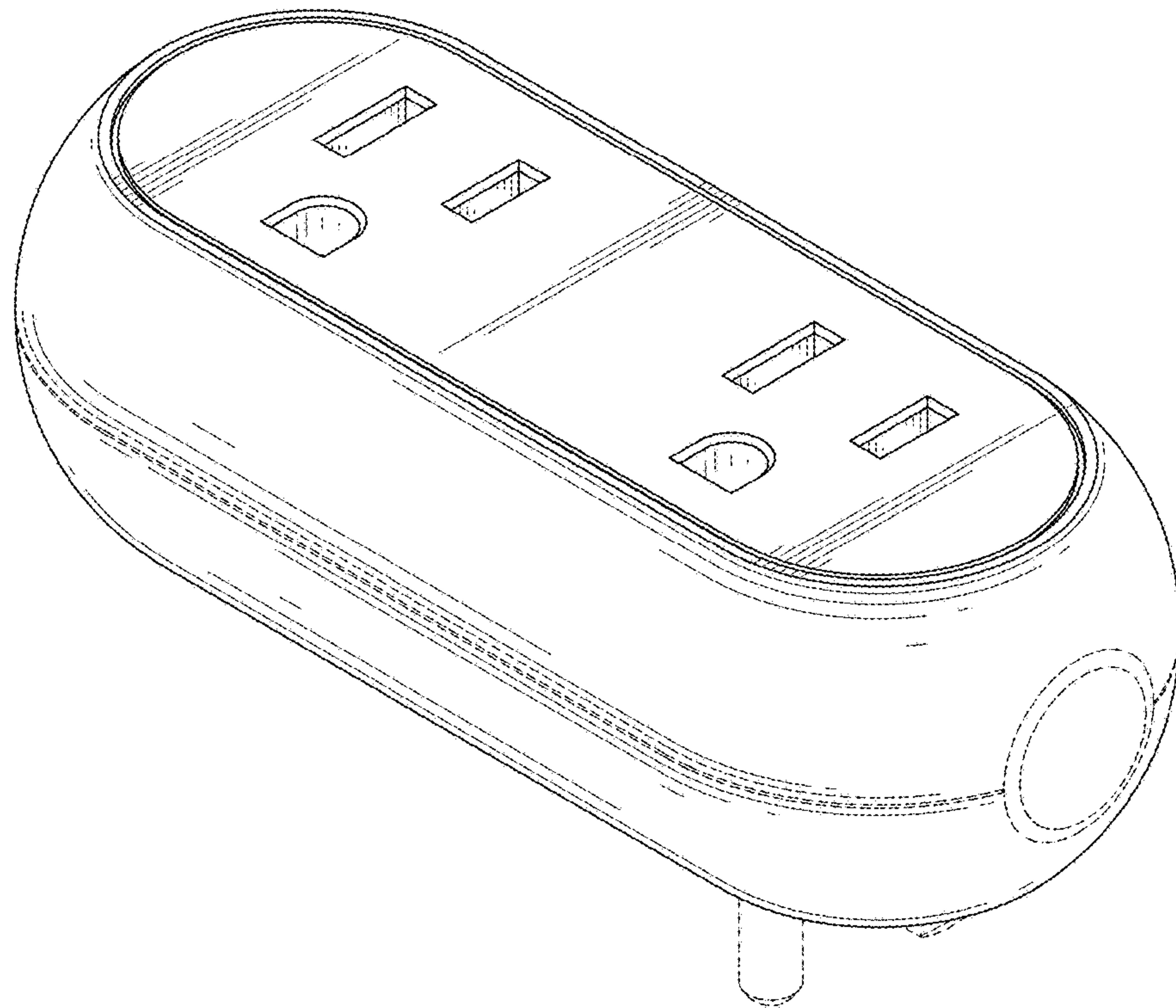


FIG. 1

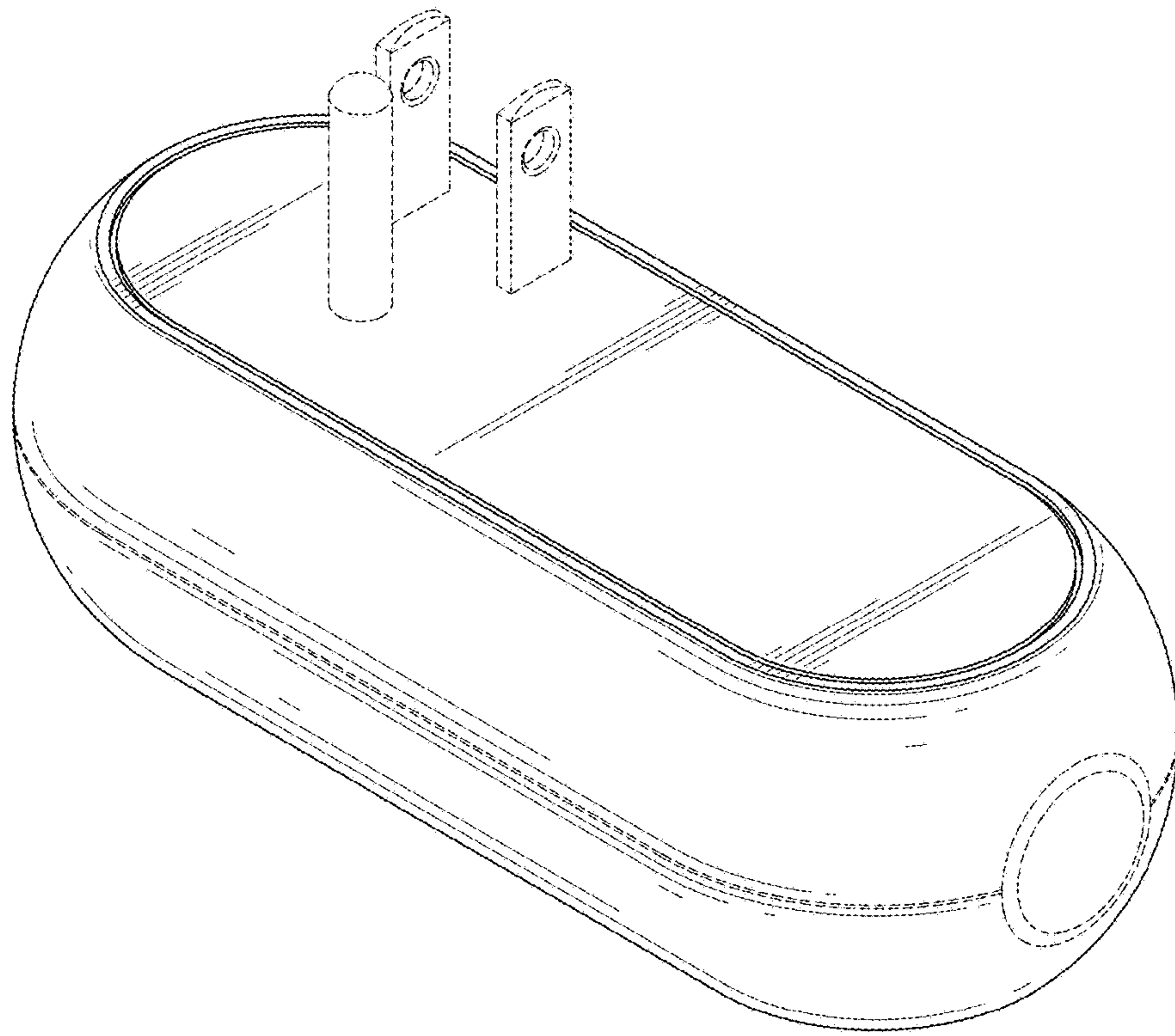


FIG. 2



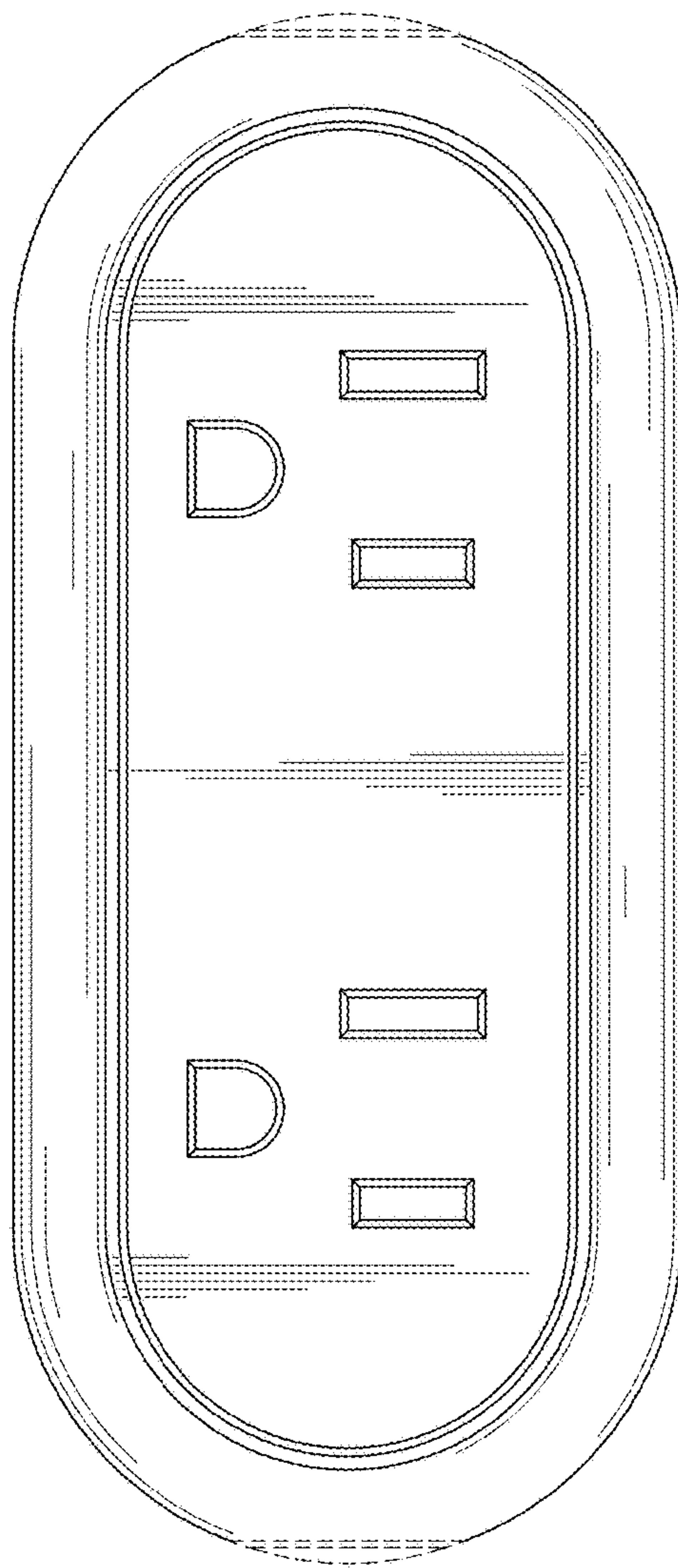


FIG. 3

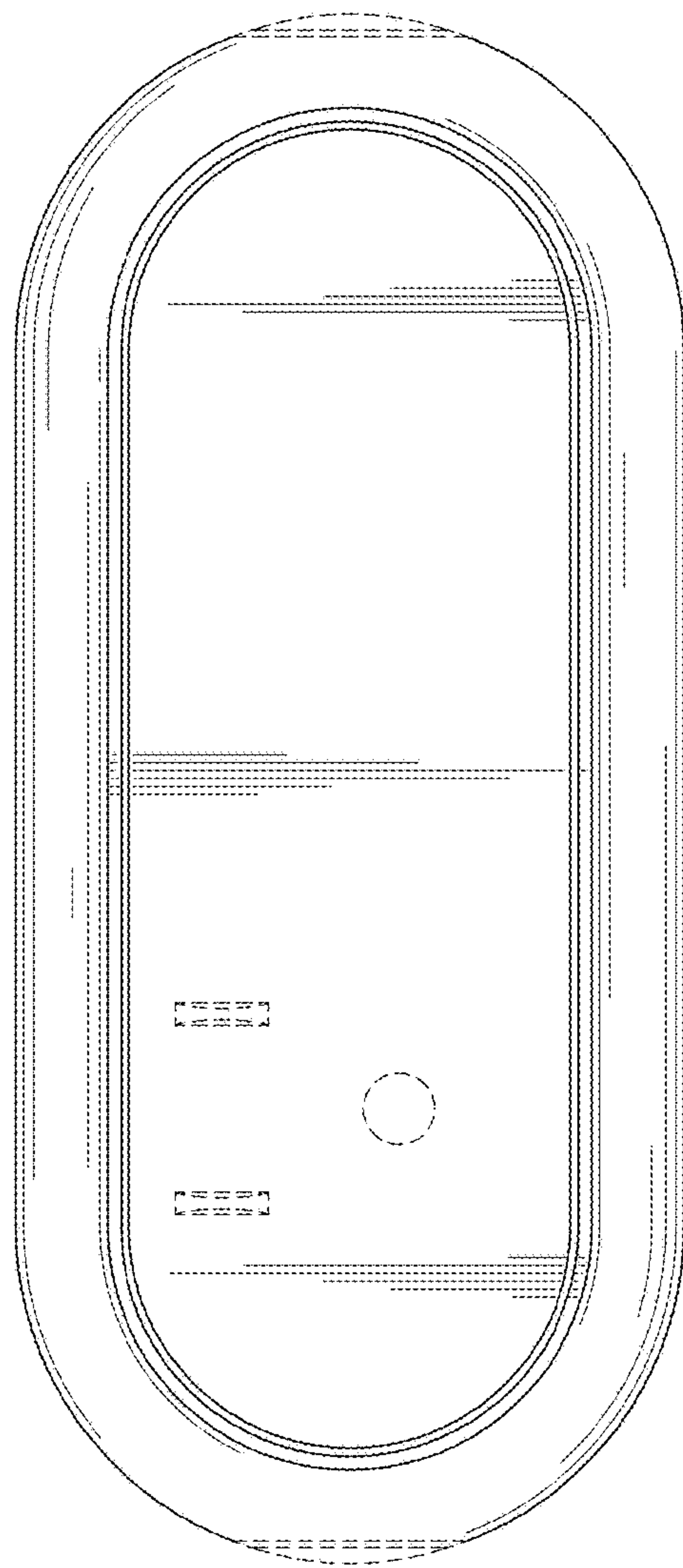


FIG. 4

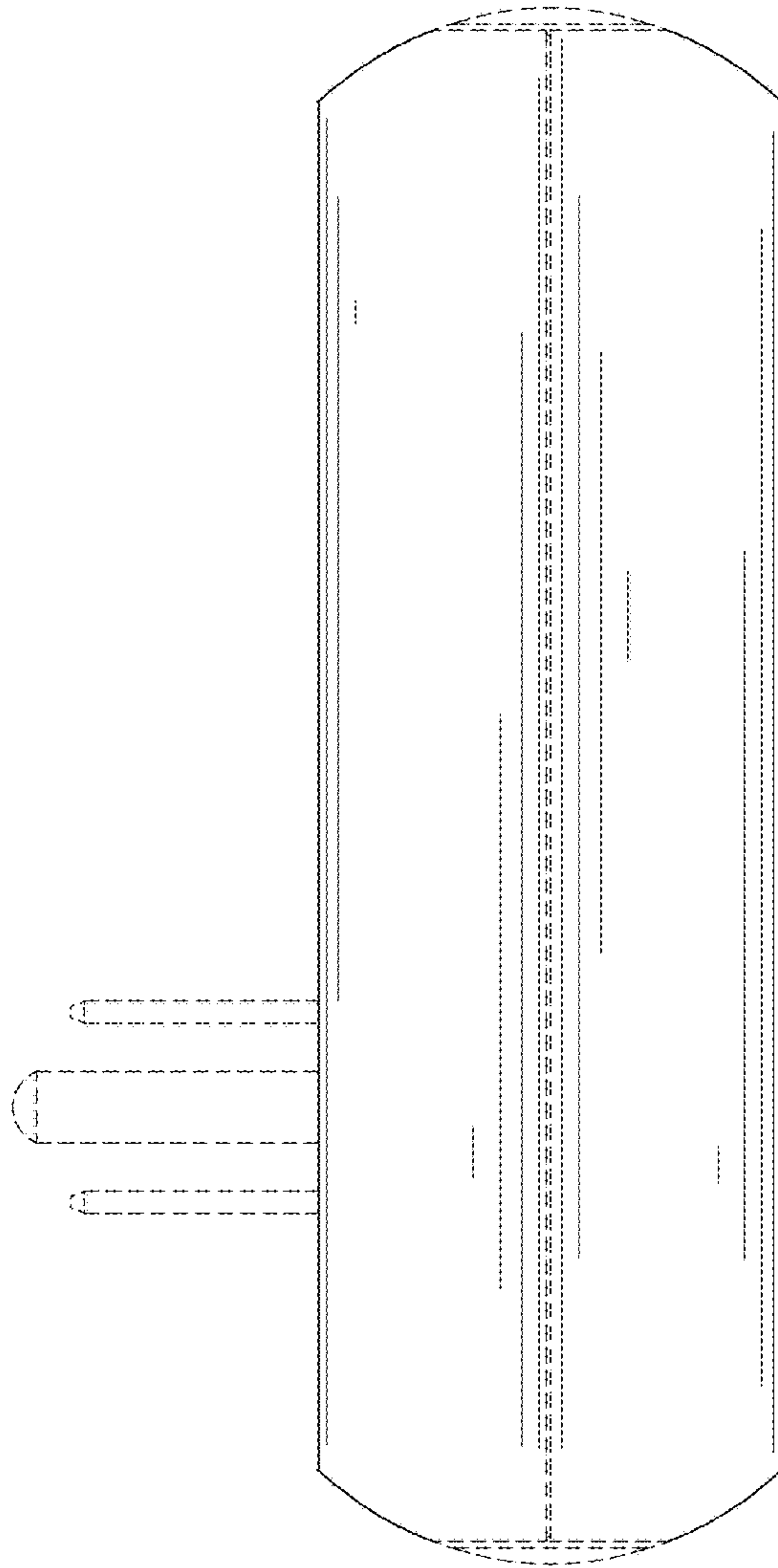


FIG. 5

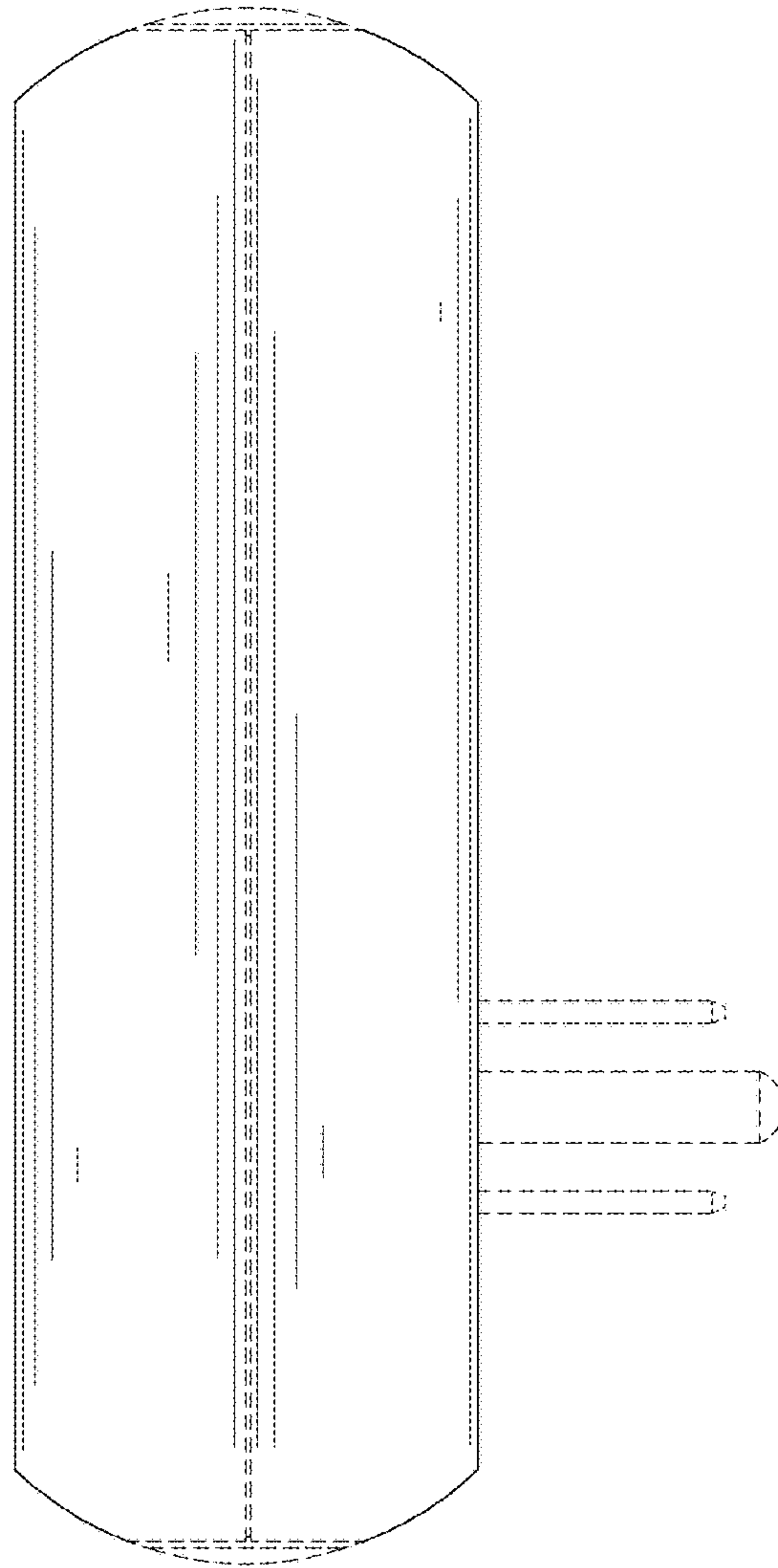


FIG. 6



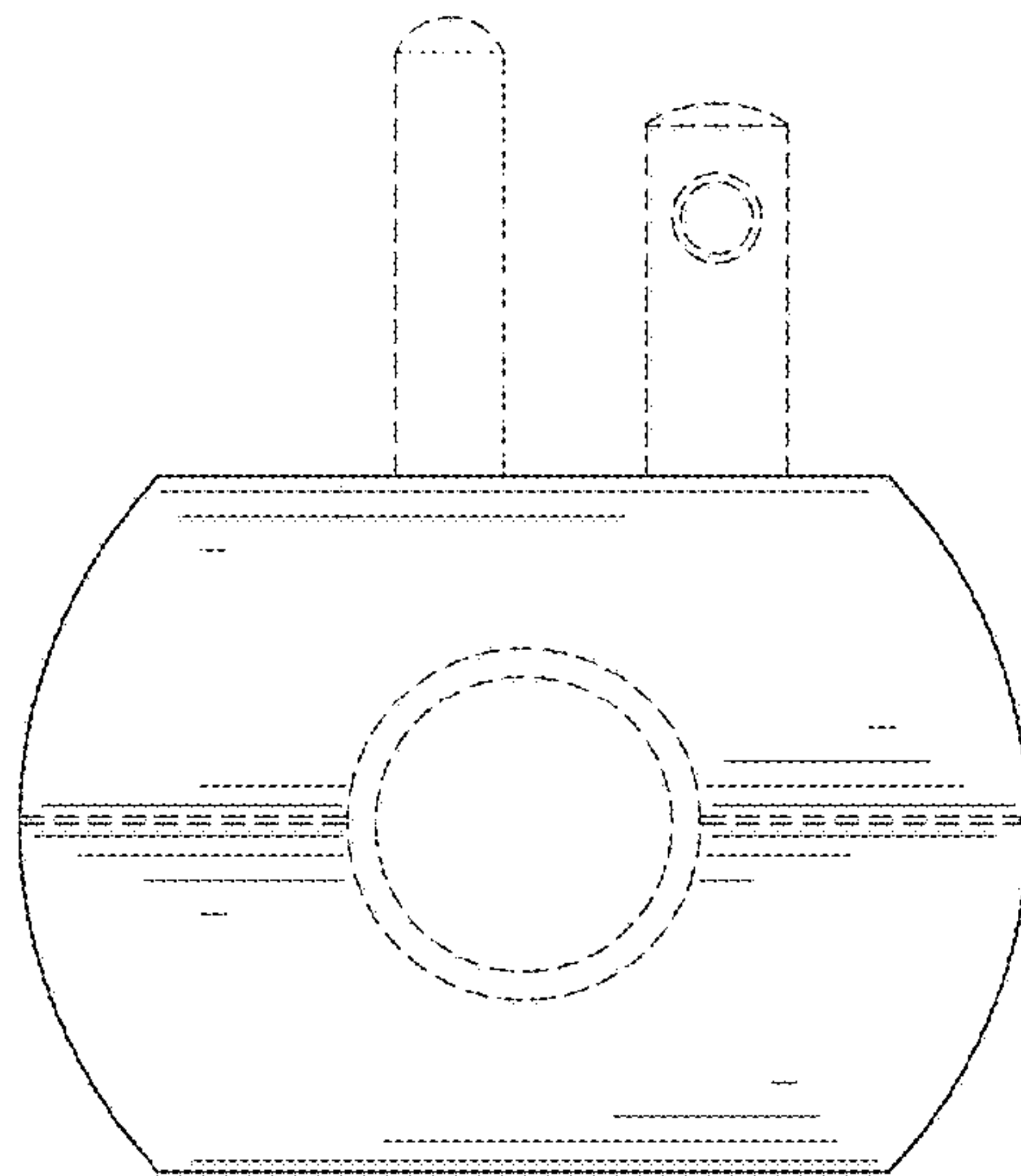


FIG. 7

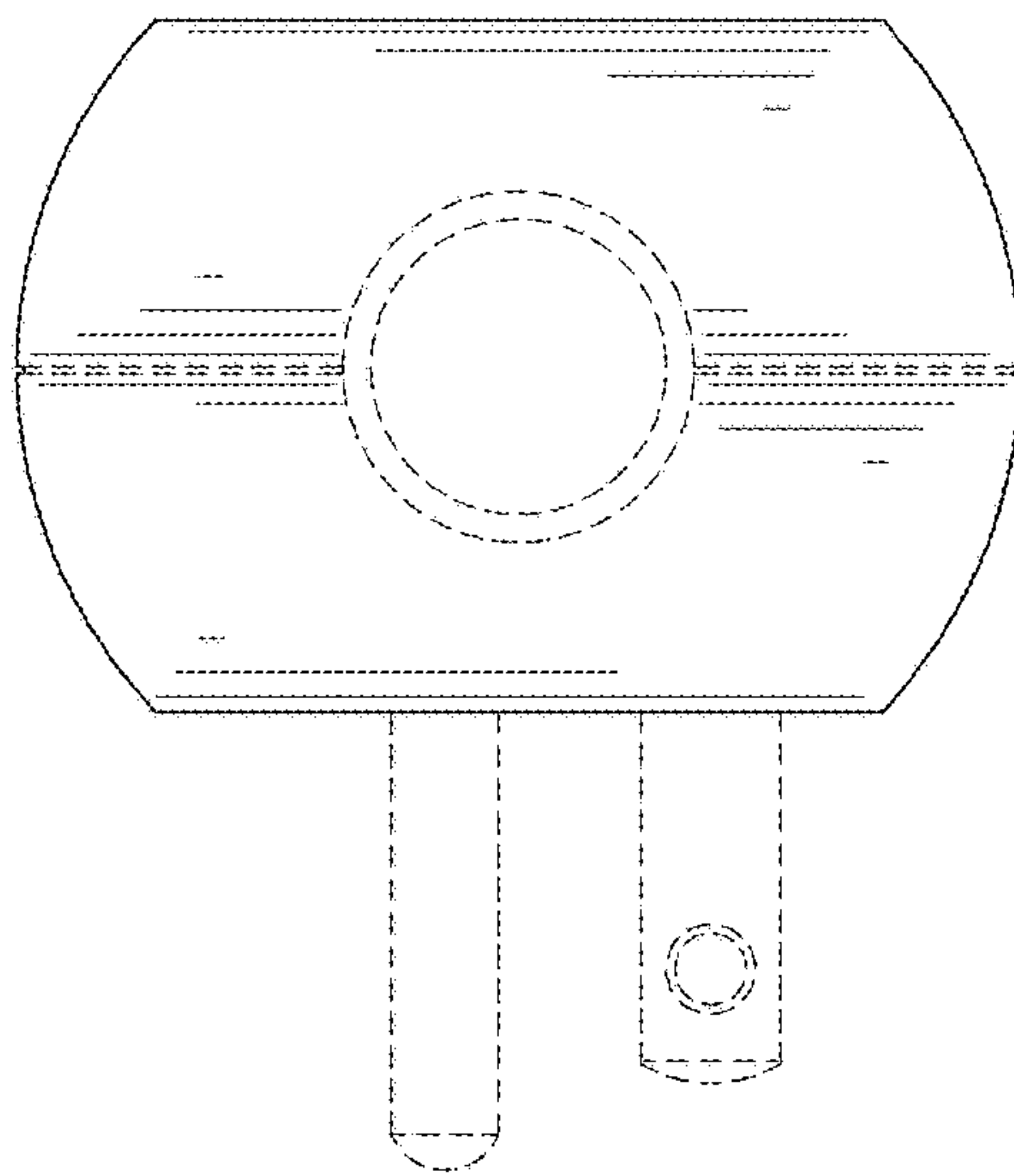


FIG. 8