

US00D862386S

(12) **United States Design Patent** (10) **Patent No.:** **US D862,386 S**  
**Beer et al.** (45) **Date of Patent:** **\*\* Oct. 8, 2019**

(54) **TRANSFORMER**

(71) Applicant: **Siemens Aktiengesellschaft**, Munich (DE)

(72) Inventors: **Andreas Beer**, Grasbrunn (DE); **Florian Lohse**, Munich (DE); **Philip Zeitler**, Munich (DE)

(73) Assignee: **Siemens Aktiengesellschaft**, Munich (DE)

(\*\*) Term: **15 Years**

(21) Appl. No.: **29/598,867**

(22) Filed: **Mar. 29, 2017**

(30) **Foreign Application Priority Data**

Sep. 30, 2016 (EM) ..... 001453765

(51) **LOC (12) Cl.** ..... **13-02**

(52) **U.S. Cl.**  
USPC ..... **D13/110**

(58) **Field of Classification Search**  
USPC ..... D13/110, 101, 184, 199; 174/52 R;  
220/4.02; 336/58, 92, 94, 98, 107;  
363/153, 171  
CPC ..... H01F 27/02; H01F 27/04; H01F 27/12;  
H01F 27/26; H01F 27/29; H01F 27/30;  
H01F 27/245; H01F 41/0233; E04H 5/04;  
H01H 9/0044; H02M 7/44  
See application file for complete search history.

(56) **References Cited**

U.S. PATENT DOCUMENTS

D547,267 S *	7/2007	Thorsteinsson	.....	D13/110
D567,758 S *	4/2008	Grad	.....	D13/110
D580,858 S *	11/2008	Heinzig	.....	D13/110
D800,061 S *	10/2017	Tonomura	.....	D13/110

\* cited by examiner

*Primary Examiner* — Derrick E Holland

(74) *Attorney, Agent, or Firm* — Schiff Hardin LLP

(57) **CLAIM**

The ornamental design for a transformer, as shown and described.

**DESCRIPTION**

FIG. 1 is a front elevational view of a transformer showing our new design;  
FIG. 2 is a back elevational view thereof;  
FIG. 3 is a top plan view thereof;  
FIG. 4 is a bottom plan view thereof;  
FIG. 5 is a side elevational view of the right side thereof;  
FIG. 6 is a side elevational view of the left side thereof; and,  
FIG. 7 is a top, front, and left side perspective view thereof.  
High-quality electronic copies of the drawings are available in the Office's electronic record of this application.

**1 Claim, 7 Drawing Sheets**

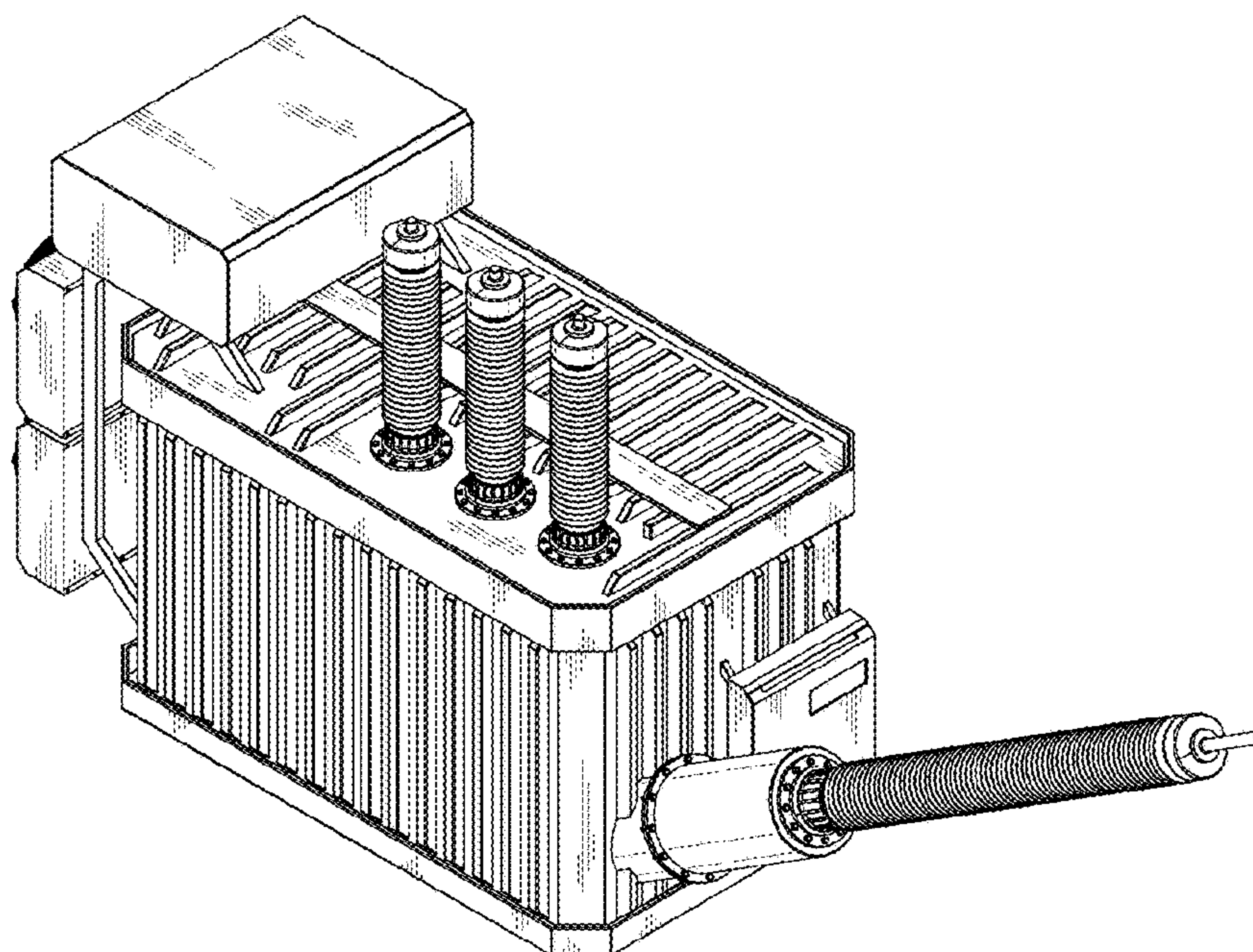


FIG. 1

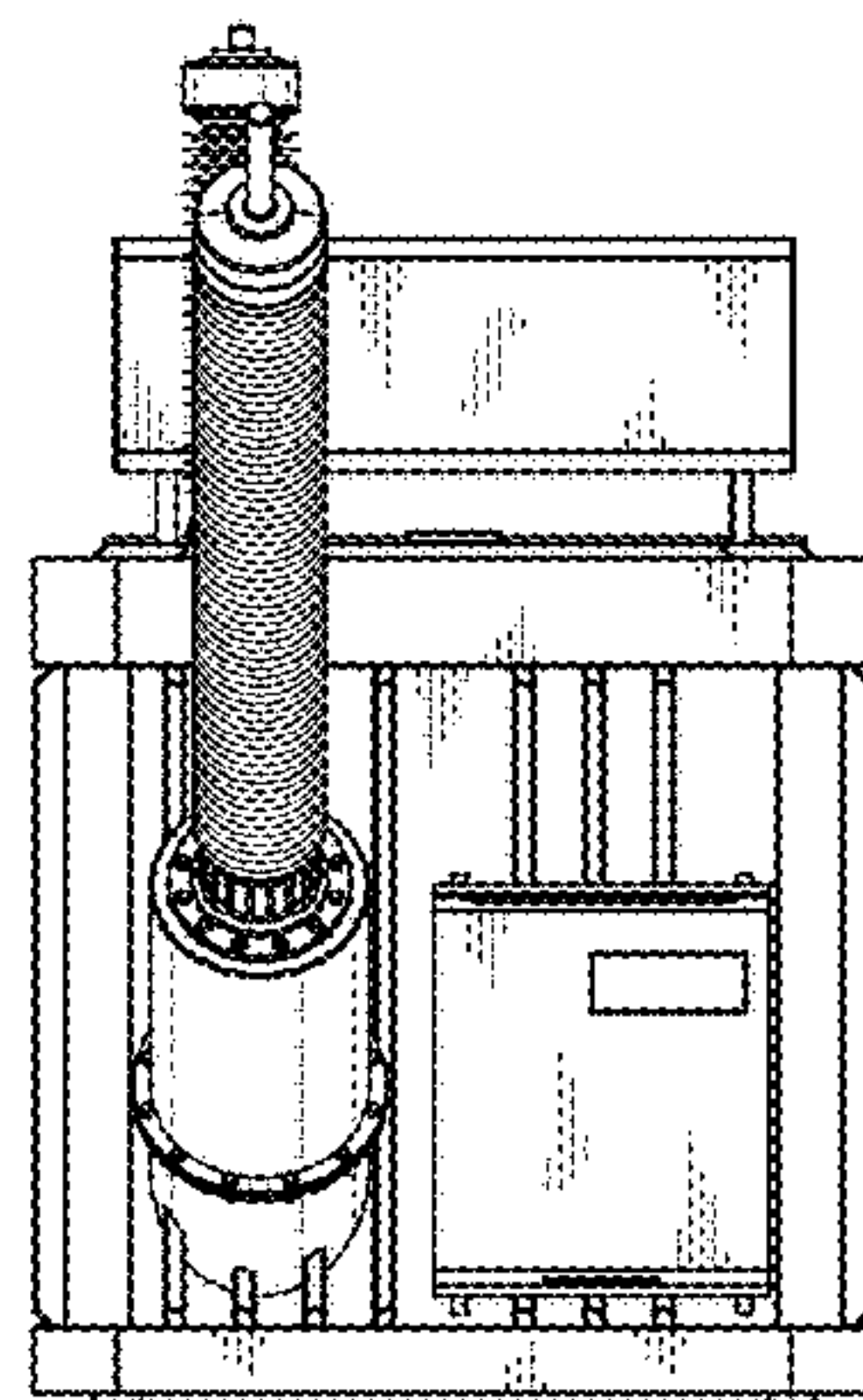


FIG. 2

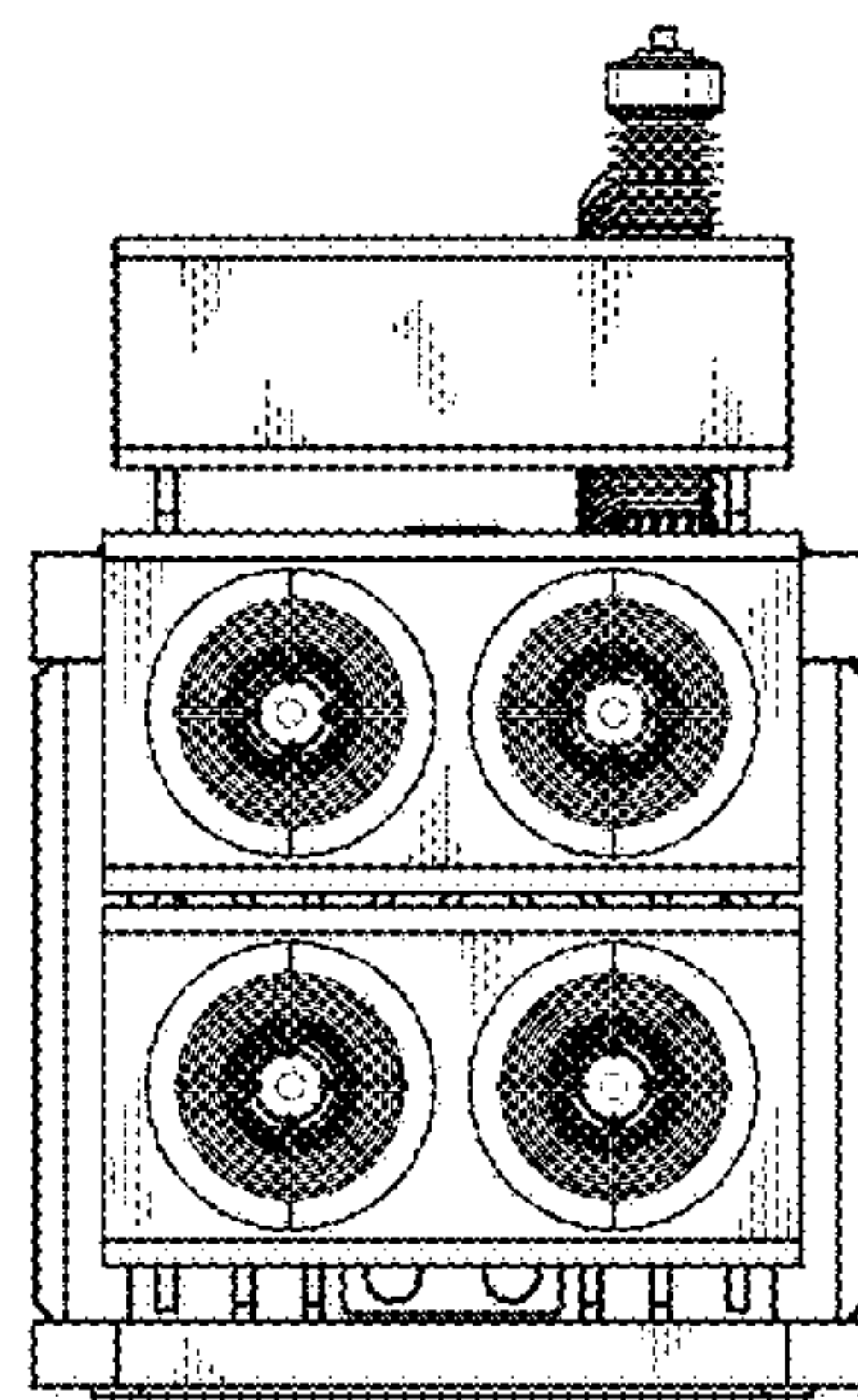


FIG. 3

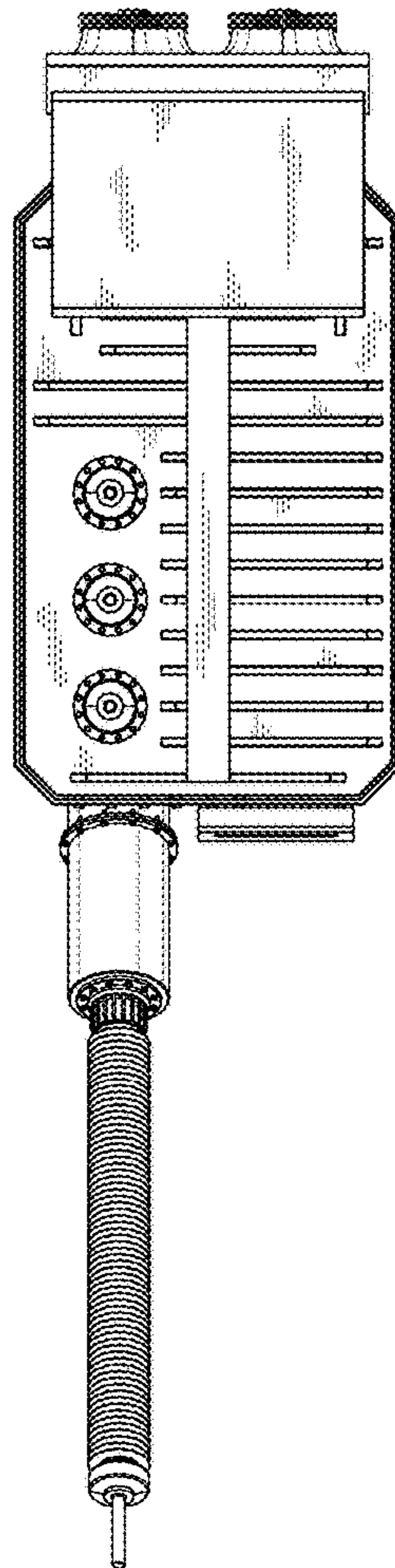


FIG. 4

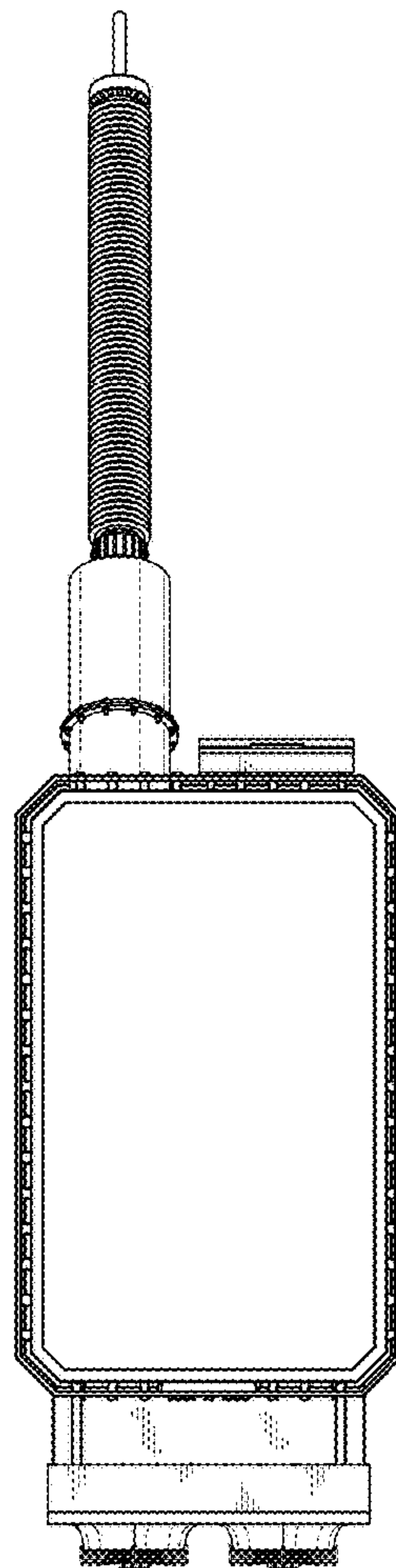




FIG. 5

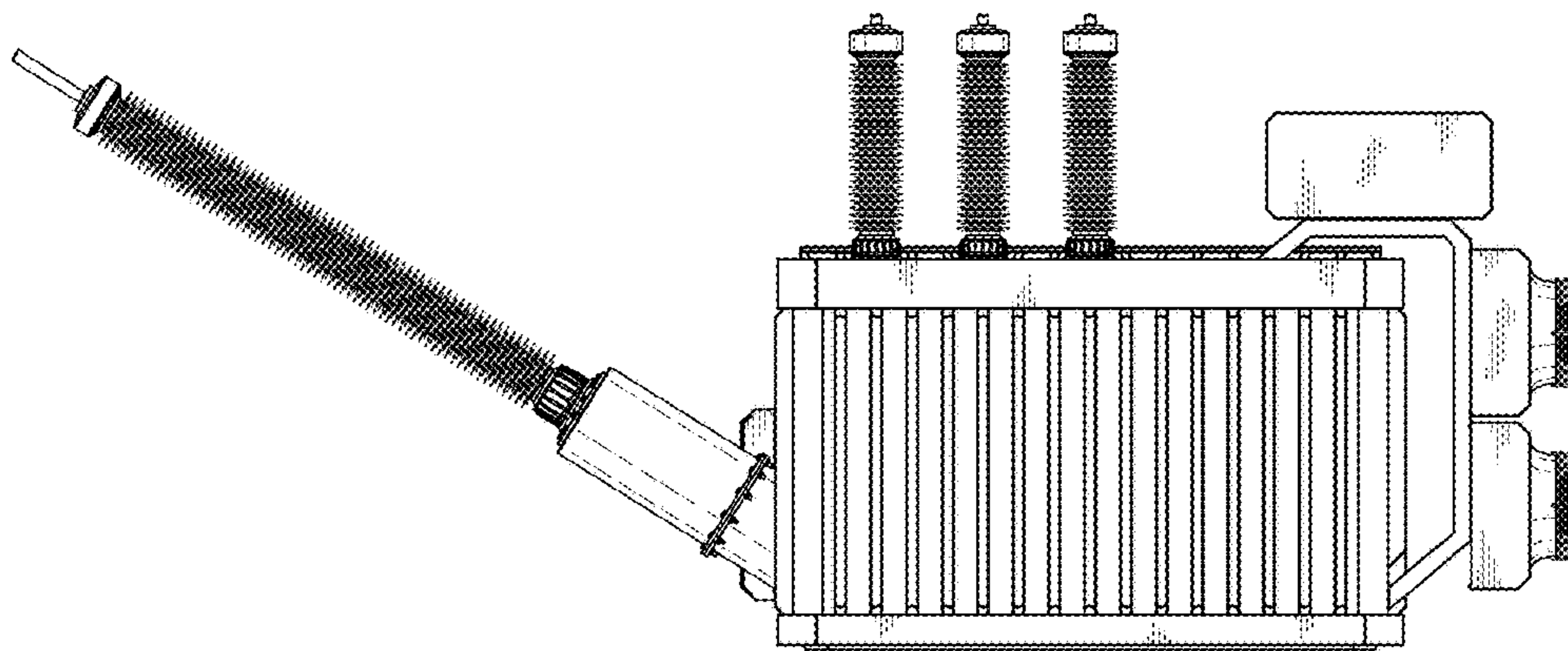


FIG. 6

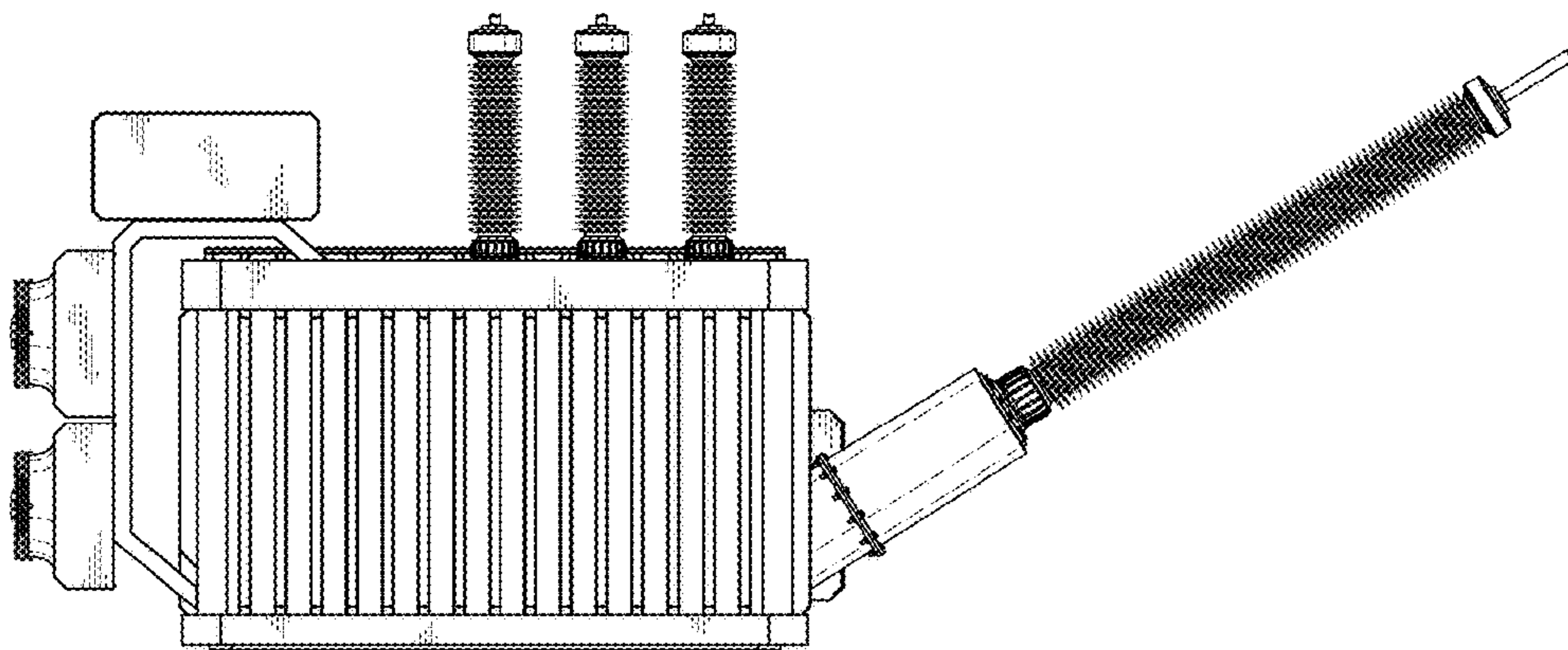


FIG. 7

