

US00D862383S

(12) **United States Design Patent**
Surbeck

(10) **Patent No.:** **US D862,383 S**

(45) **Date of Patent:** **** Oct. 8, 2019**

(54) **WALLBOX**

(71) Applicant: **Webasto SE**, Stockdorf (DE)

(72) Inventor: **Alfred Eduard Surbeck**, Uster (CH)

(73) Assignee: **WEBASTO SE**, Stockdorf (DE)

(**) Term: **15 Years**

(21) Appl. No.: **29/600,469**

(22) Filed: **Apr. 12, 2017**

(30) **Foreign Application Priority Data**

Apr. 6, 2017 (EM) 003844398-0002

Apr. 6, 2017 (EM) 003844398-0004

(51) **LOC (12) Cl.** **13-02**

(52) **U.S. Cl.**
USPC **D13/107**

(58) **Field of Classification Search**
USPC D13/107, 108, 118, 119, 162, 163, 184,
D13/199; 320/103-105, 107-115
CPC B60L 11/1809; B60L 11/1825; B60L
11/187; Y02T 90/14; Y02T 90/16
See application file for complete search history.

(56) **References Cited**

U.S. PATENT DOCUMENTS

D580,853 S *	11/2008	Ahlgren	D13/107
D615,033 S *	5/2010	Baker	D13/107
D624,014 S *	9/2010	Lingott	D13/107
D641,694 S *	7/2011	Akahori	D13/107
D665,345 S *	8/2012	Degn	D13/107
D694,179 S *	11/2013	Zeppetzauser	D13/107
D698,309 S *	1/2014	Moribe	D13/107
D708,572 S *	7/2014	Hou	D13/107
D736,716 S *	8/2015	Hough	D13/107
D808,335 S *	1/2018	Corander	D13/107
D830,969 S *	10/2018	Wang	D13/107
D838,668 S *	1/2019	Westfall	D13/107

D844,559 S *	4/2019	Mercer	D13/107
2015/0042276 A1 *	2/2015	Biedrzycki	B60L 11/1809 320/109
2015/0054462 A1 *	2/2015	Weidinger	B60L 3/04 320/109
2018/0102666 A1 *	4/2018	Margaritis	B60L 1/006

OTHER PUBLICATIONS

Comparison-of electric car charging stations; prior to Apr. 12, 2017; 1 pg.; https://www.google.com/search?q=electric+vehicle+charging+stations&hl=en&biw=1536&bih=813&source=Int&tbs=cdr%3A1%2Ccd_min%3A%2Ccd_max%3A4%2F12%2F2017&tbm=isch#imgrc=wP8vcUOt00h-aM:&spf=1558361686224.*

Tesla Charing Station; prior to Apr. 12, 2017; 1 pg.; https://www.google.com/search?q=electric+vehicle+charging+stations&hl=en&biw=1536&bih=813&source=Int&tbs=cdr%3A1%2Ccd_min%3A%2Ccd_max%3A4%2F12%2F2017&tbm=isch#imgrc=Tow8zPJCYxjiGM:&spf=1558361686231.*

* cited by examiner

Primary Examiner — Selina Sikder

(74) Attorney, Agent, or Firm — Fitch, Even, Tabin & Flannery, LLP

(57) **CLAIM**

The ornamental design for a wallbox, substantially as shown and described.

DESCRIPTION

FIG. 1 is a front view of the wallbox showing my new design;

FIG. 2 is a right view of the design shown in FIG. 1;

FIG. 3 is a left view of the design shown in FIG. 1;

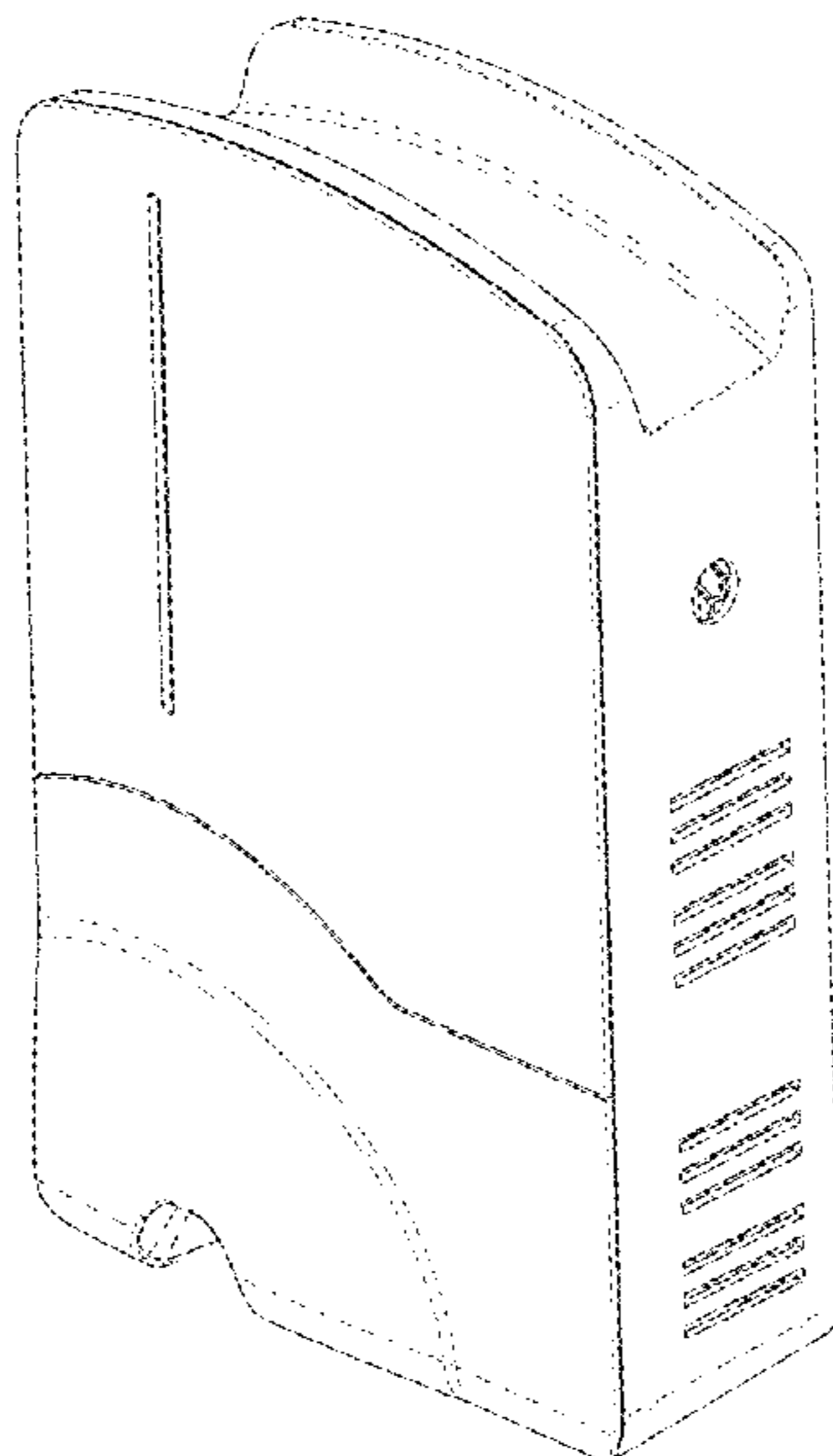
FIG. 4 is a top view of the design shown in FIG. 1;

FIG. 5 is a bottom view of the design shown in FIG. 1;

FIG. 6 is a rear view of the design shown in FIG. 1; and,

FIG. 7 is a perspective view from back and one side of the design shown in FIG. 1.

1 Claim, 6 Drawing Sheets



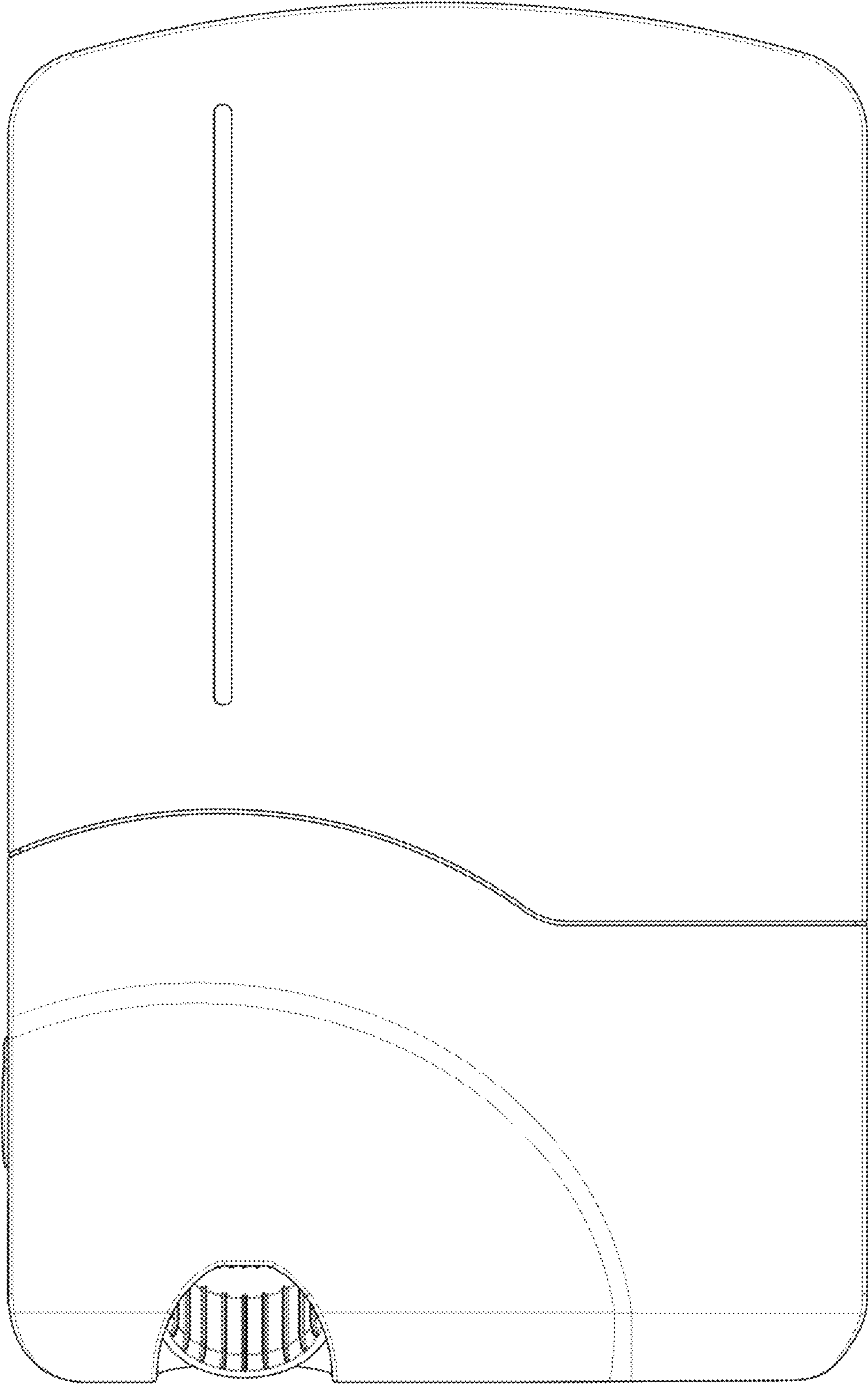


FIG. 1

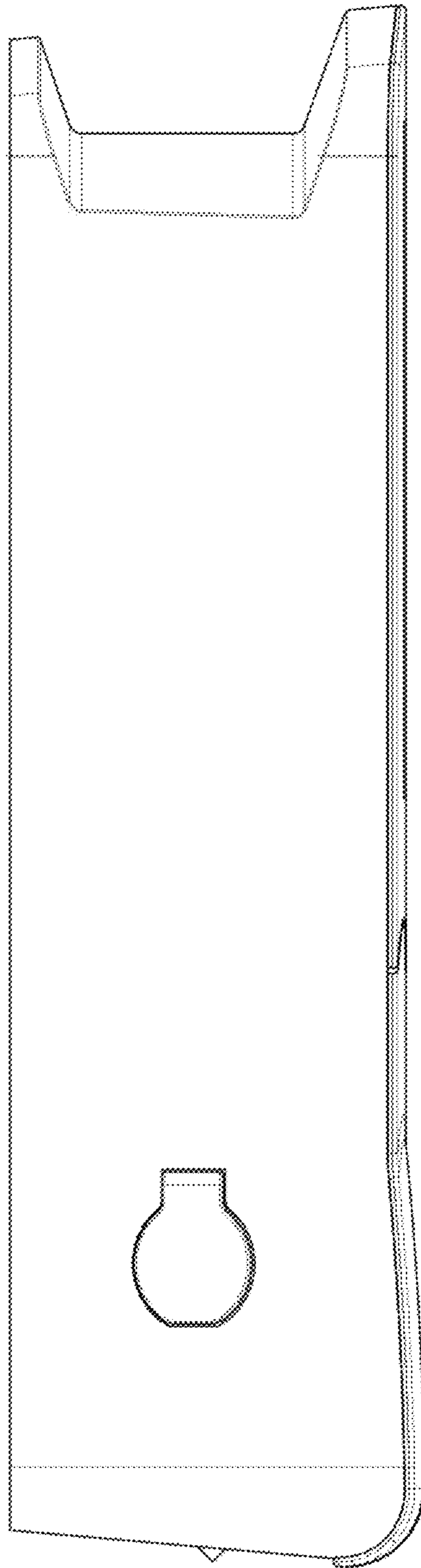


FIG. 2

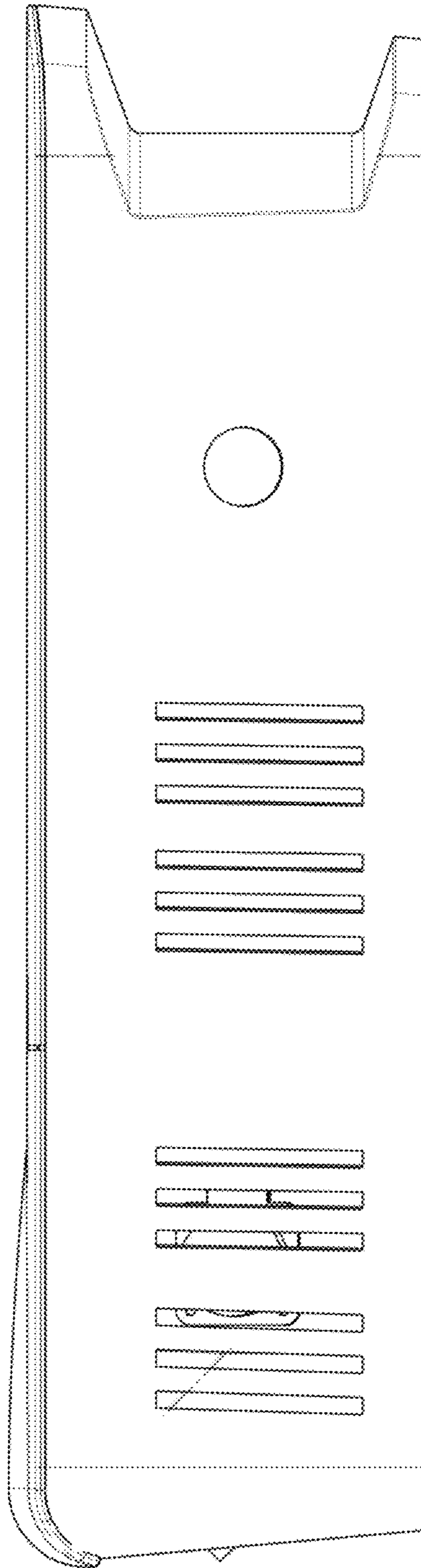


FIG. 3

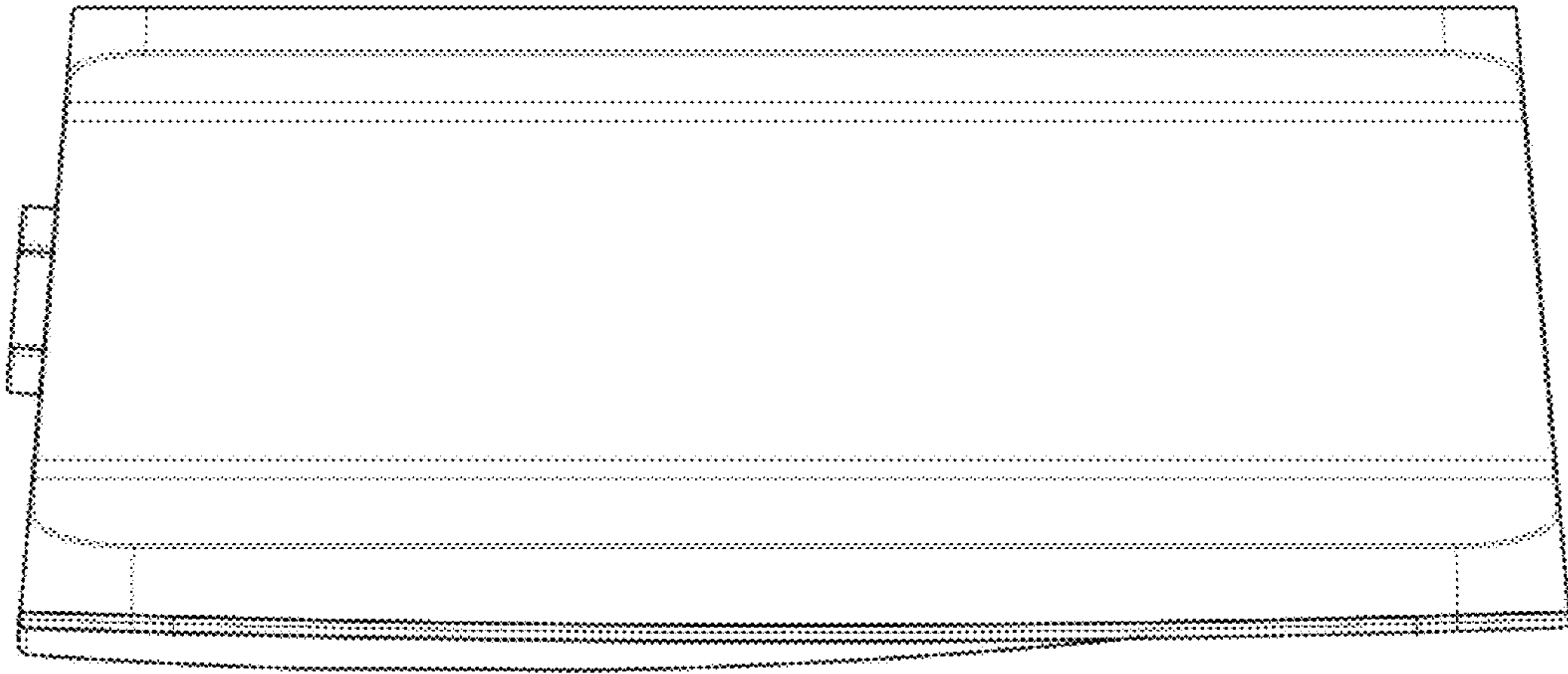


FIG. 4

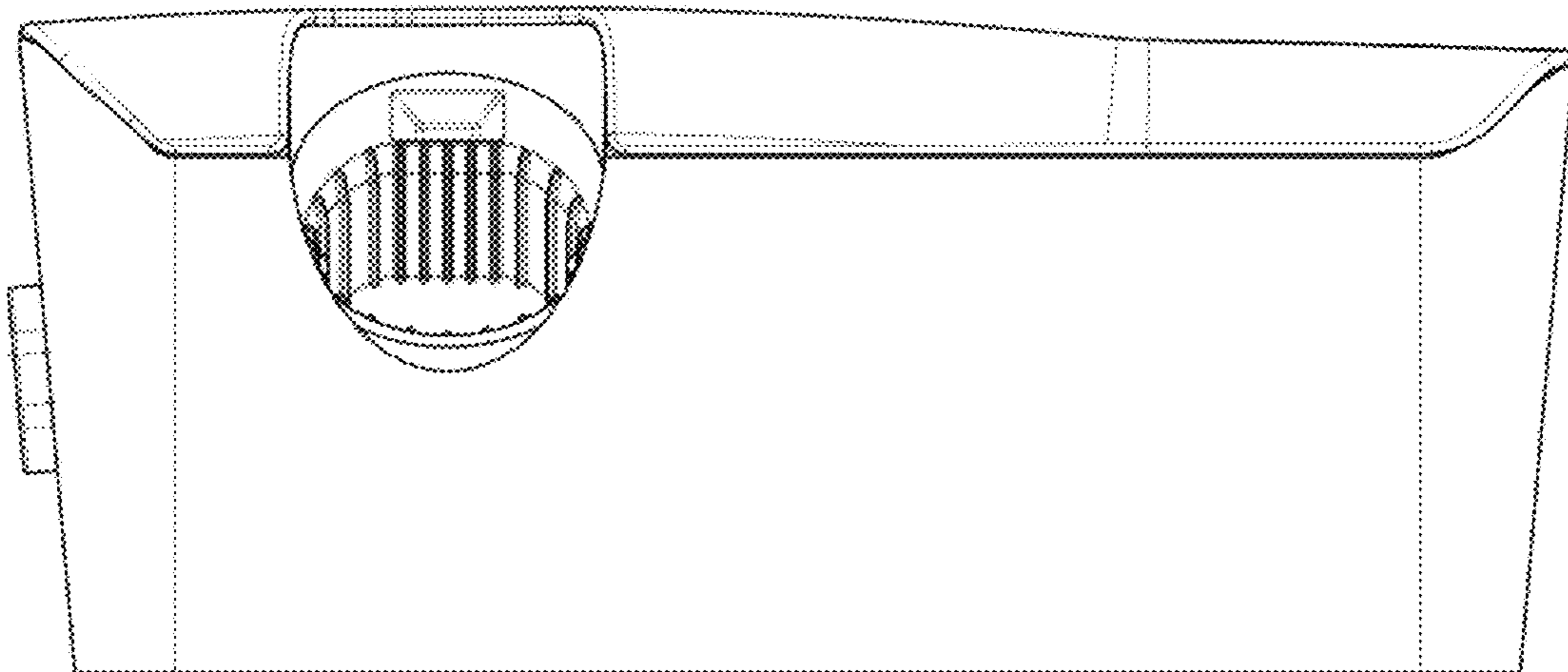


FIG. 5

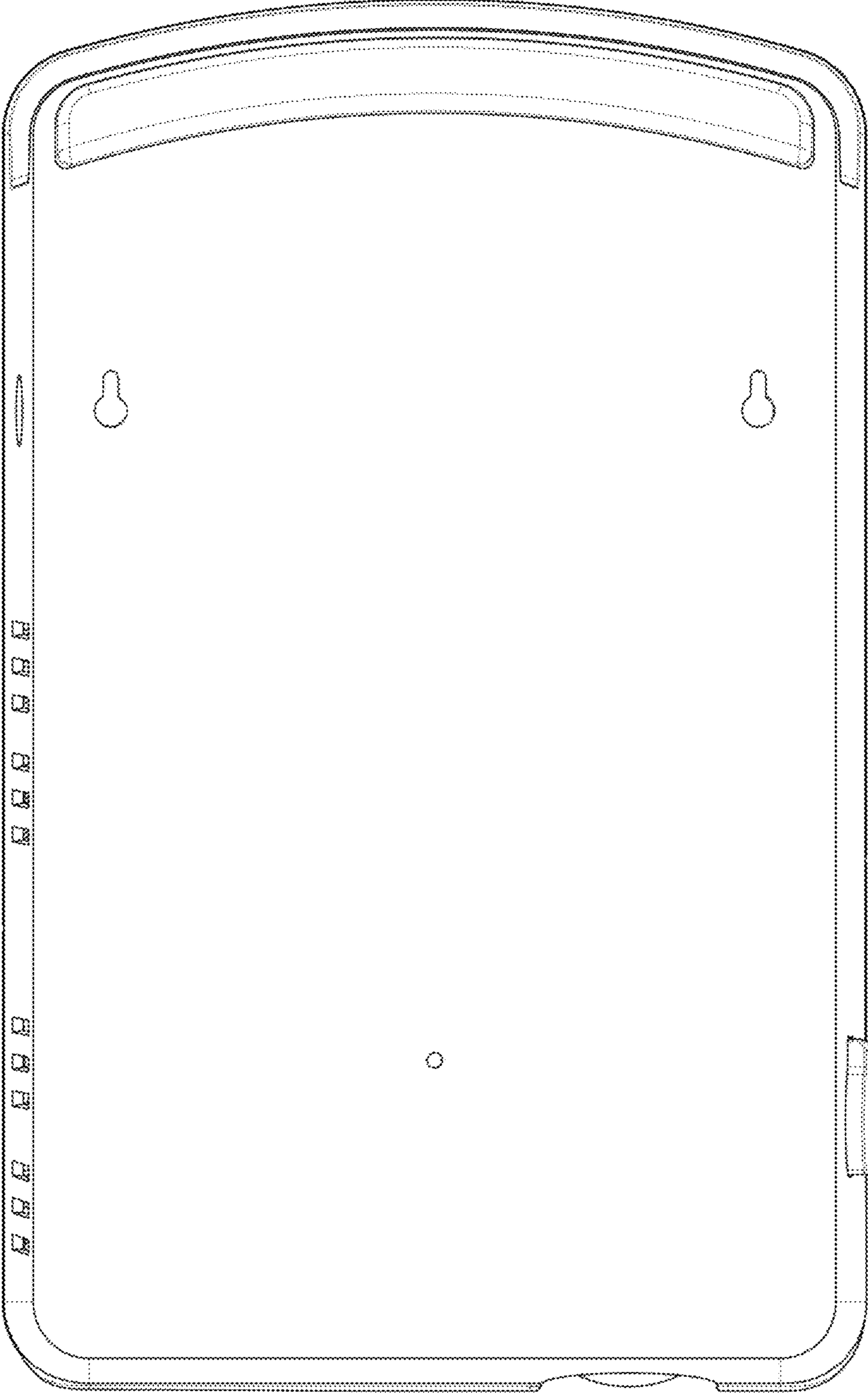


FIG. 6

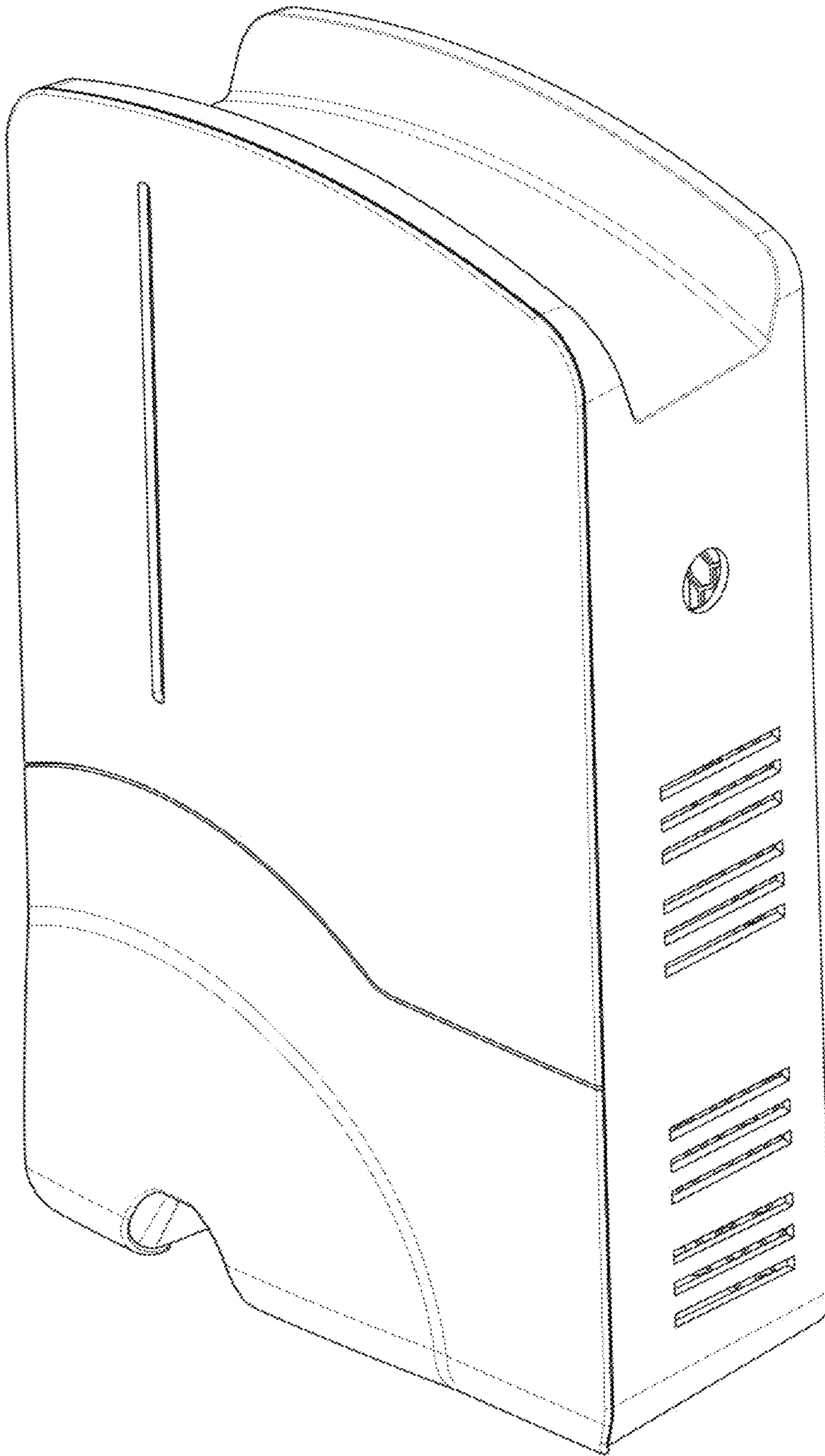


FIG. 7