

US00D862379S

(12) **United States Design Patent** (10) **Patent No.:** **US D862,379 S**
Au (45) **Date of Patent:** **** *Oct. 8, 2019**

(54) **PANEL RAIL SADDLE DEVICE FOR SOLAR MODULE**

(71) Applicant: **NEXTracker Inc.**, Fremont, CA (US)

(72) Inventor: **Alexander W. Au**, El Cerrito, CA (US)

(73) Assignee: **NEXTRACKER INC.**, Fremont, CA (US)

(*) Notice: This patent is subject to a terminal disclaimer.

(**) Term: **15 Years**

(21) Appl. No.: **29/624,181**

(22) Filed: **Oct. 30, 2017**

Related U.S. Application Data

(63) Continuation of application No. 29/527,987, filed on May 22, 2015, now Pat. No. Des. 804,407, which is a continuation of application No. 14/489,416, filed on Sep. 17, 2014, now Pat. No. 10,008,975.

(51) **LOC (12) Cl.** **13-02**

(52) **U.S. Cl.**
USPC **D13/102**

(58) **Field of Classification Search**
USPC D13/102, 101, 103, 118, 119, 184, 199;
126/561, 667; 136/206, 244, 251, 291,
136/292; 438/597
CPC Y02E 10/47; Y02E 10/50; Y02E 10/52;
H02S 20/00; F24J 2/5237
See application file for complete search history.

(56) **References Cited**

U.S. PATENT DOCUMENTS

4,023,368 A 5/1977 Kelly
5,092,939 A * 3/1992 Nath E04D 3/3605
136/251
5,274,888 A 1/1994 Payne

D361,561 S * 8/1995 Baudot D14/447
D547,262 S * 7/2007 Ullman D13/102
D564,958 S * 3/2008 Almy D13/102
D606,938 S * 12/2009 Mack D13/119
D651,969 S * 1/2012 Turk D13/102
D651,970 S * 1/2012 Turk D13/102
8,459,249 B2 6/2013 Corio
D689,434 S * 9/2013 Tilscher D13/119

(Continued)

FOREIGN PATENT DOCUMENTS

KR 1020080108640 12/2008
KR 100896332 B 5/2009

(Continued)

OTHER PUBLICATIONS

India Office Action for application No. 4839/DELNP/2015 dated May 25, 2018, 6 pages.

(Continued)

Primary Examiner — Derrick E Holland
Assistant Examiner — Jennifer O King
(74) *Attorney, Agent, or Firm* — Weber Rosselli & Cannon LLP

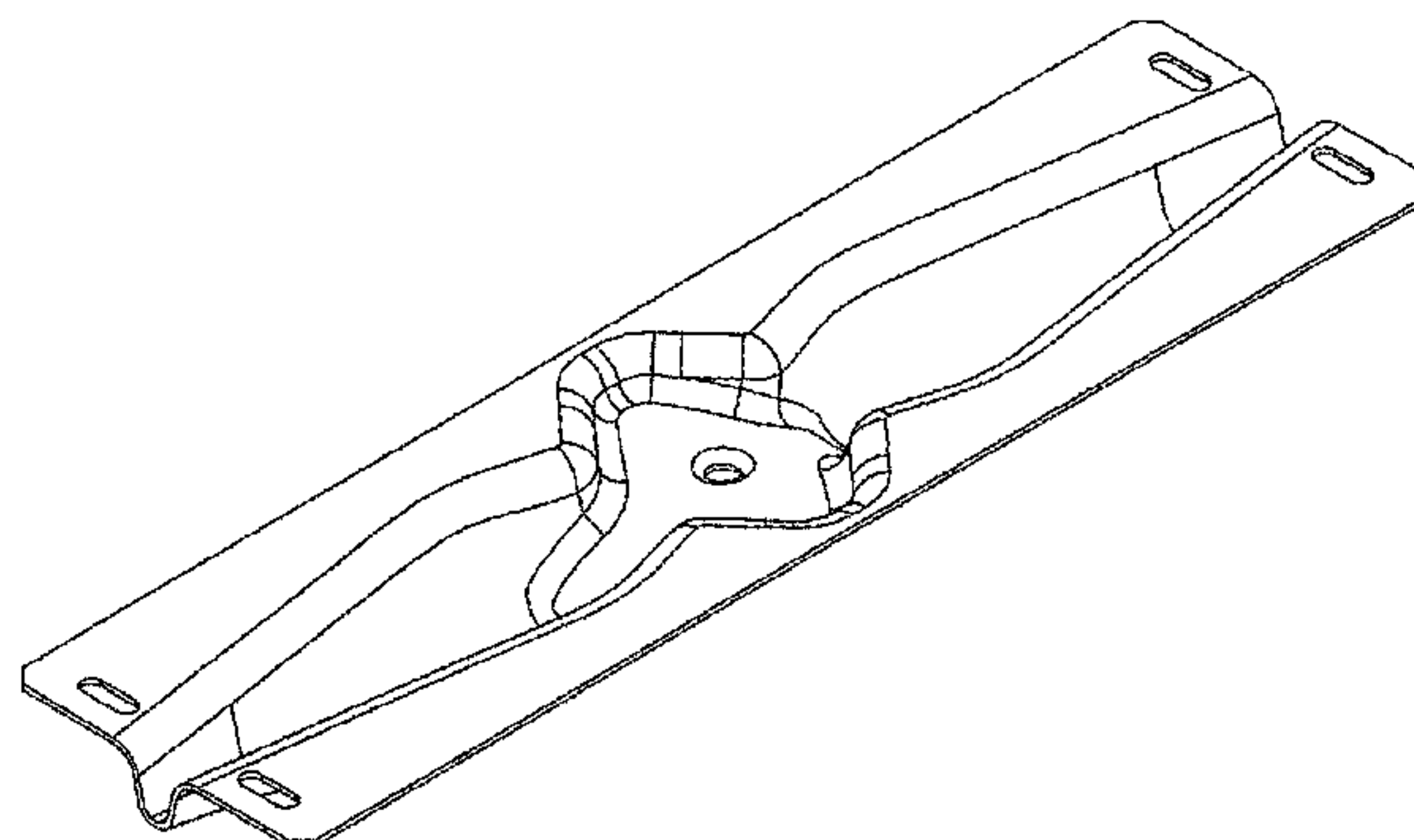
(57) **CLAIM**

The ornamental design for panel rail saddle device for solar module, as shown and described.

DESCRIPTION

FIG. 1 is a perspective view illustrating a panel rail saddle device for solar module detailing our new design;
FIG. 2 is a front view thereof;
FIG. 3 is a back view thereof;
FIG. 4 is a first side view;
FIG. 5 is a second side view thereof;
FIG. 6 is a top view thereof; and,
FIG. 7 is a bottom thereof.

1 Claim, 7 Drawing Sheets



(56)

References Cited

U.S. PATENT DOCUMENTS

8,727,288 B2 5/2014 Ruiz et al.
 D713,784 S * 9/2014 Wildes D13/102
 8,939,648 B2 1/2015 Schneider et al.
 9,303,684 B2 4/2016 Clavijo
 9,347,691 B2 * 5/2016 West H02S 20/30
 D758,834 S * 6/2016 Tally D8/380
 9,413,287 B2 8/2016 Hertelius et al.
 9,466,749 B1 10/2016 Au
 2002/0078945 A1 6/2002 FUNGER et al.
 2002/0179138 A1 12/2002 Lawheed
 2003/0034029 A1 2/2003 Shingleton
 2007/0144575 A1 * 6/2007 Mascolo F24J 2/4636
 136/246
 2007/0176059 A1 8/2007 Roscetti et al.
 2008/0168981 A1 7/2008 Cummings et al.
 2009/0025708 A1 * 1/2009 Shingleton F24J 2/5431
 126/600
 2009/0159778 A1 6/2009 Yeh et al.
 2010/0101632 A1 4/2010 Kats et al.
 2010/0212714 A1 * 8/2010 Rothschild F24J 2/5237
 136/244
 2011/0023940 A1 2/2011 Do et al.
 2011/0073104 A1 * 3/2011 Dopp F24J 2/055
 126/651
 2011/0278411 A1 * 11/2011 Carbonare F24J 2/5239
 248/237

2012/0006386 A1 * 1/2012 Klinga H01L 31/05
 136/251
 2012/0091077 A1 4/2012 Zuritis
 2012/0180845 A1 7/2012 Cole et al.
 2013/0026308 A1 1/2013 Walquist et al.
 2013/0269753 A1 10/2013 Corio
 2014/0130847 A1 * 5/2014 West F24J 2/5211
 136/251
 2014/0216522 A1 8/2014 Au et al.
 2015/0000722 A1 1/2015 Au et al.
 2015/0092383 A1 4/2015 Corio et al.
 2015/0236636 A1 8/2015 Sade et al.

FOREIGN PATENT DOCUMENTS

WO 2012076949 A1 6/2012
 WO 2013101696 A2 7/2013

OTHER PUBLICATIONS

International Search Report and Written Opinion for PCT/US2013/073948 dated Apr. 3, 2014.
 Office Action from Chinese Patent Office for Application No. 201380072577.7 dated Aug. 23, 2017.
 Office Action from Japanese Patent Office for Application No. 2015-545918 dated Jun. 9, 2017.

* cited by examiner

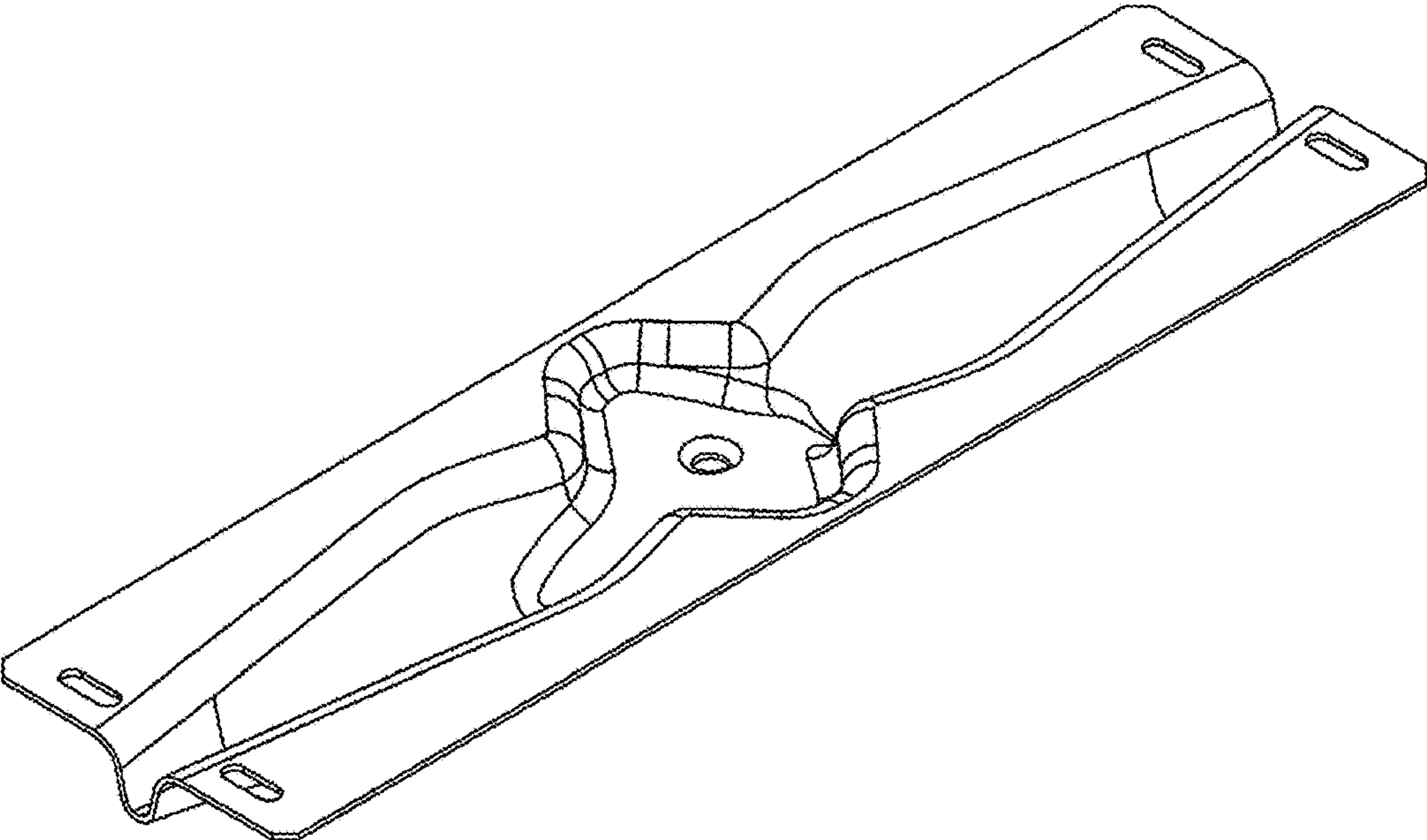


Figure 1

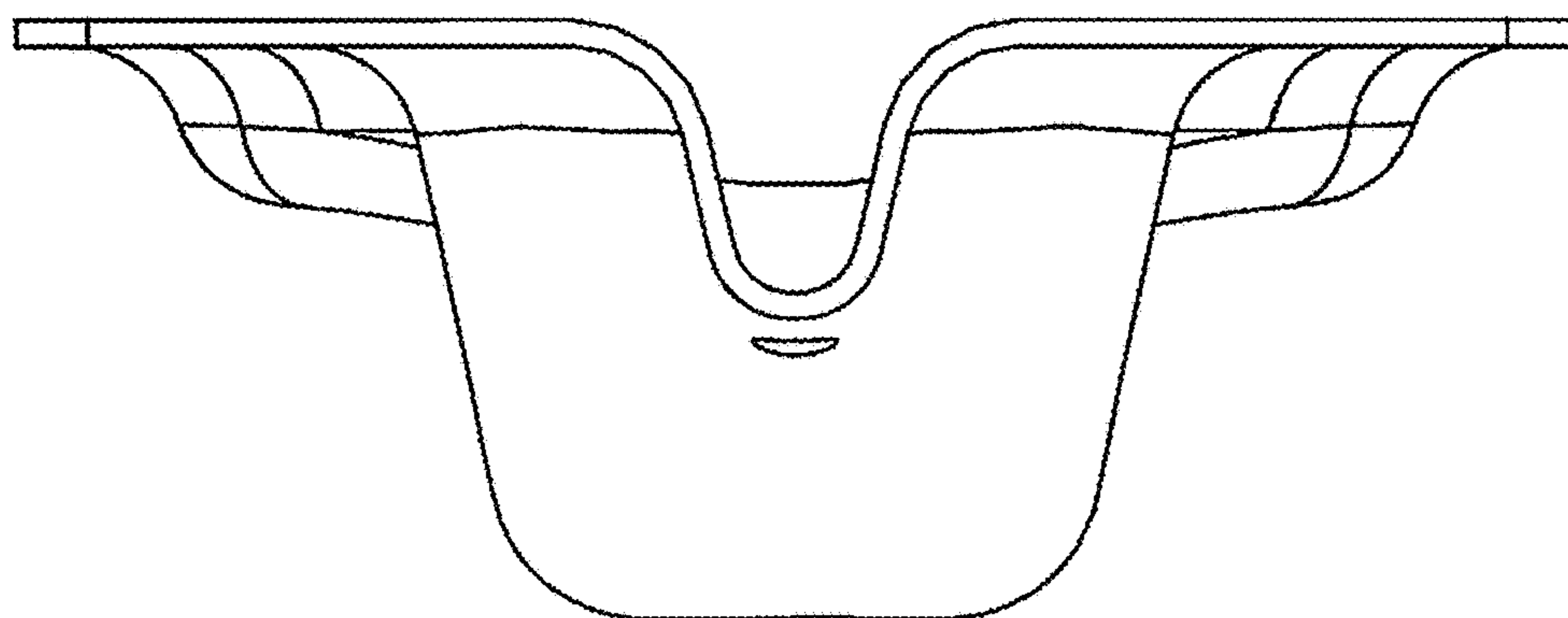


Figure 2

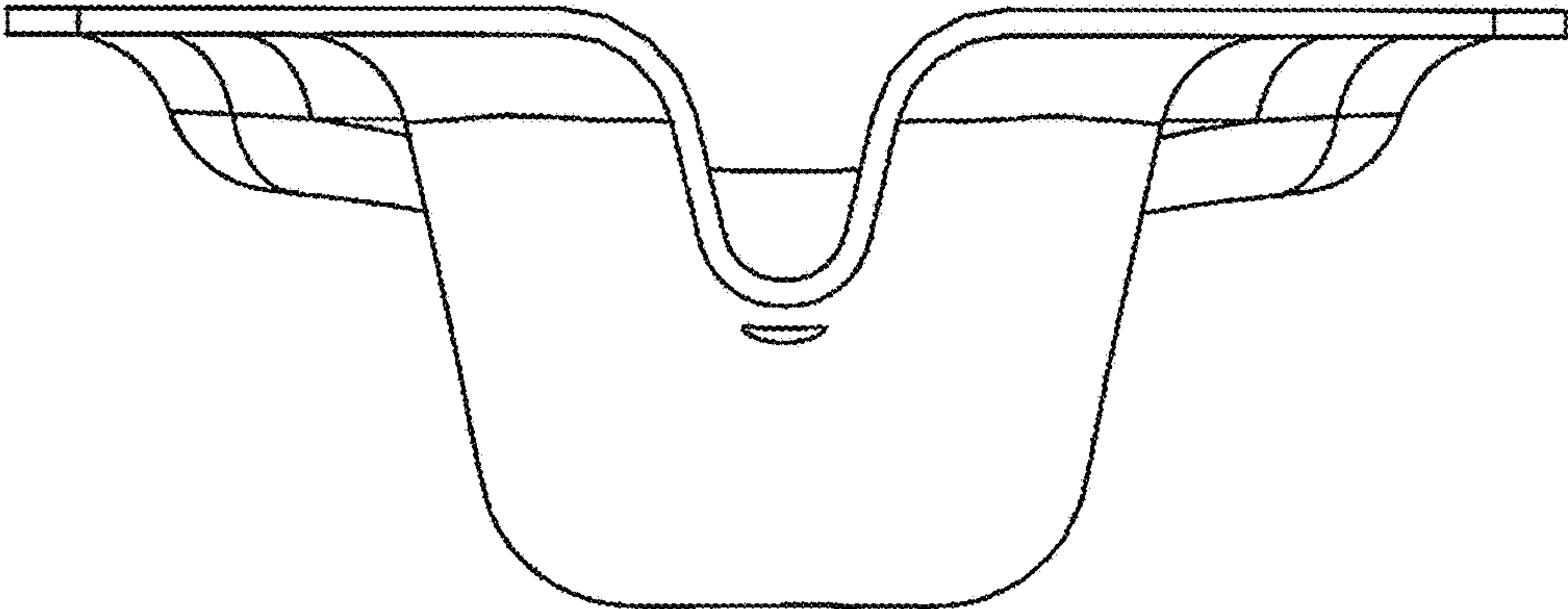


Figure 3

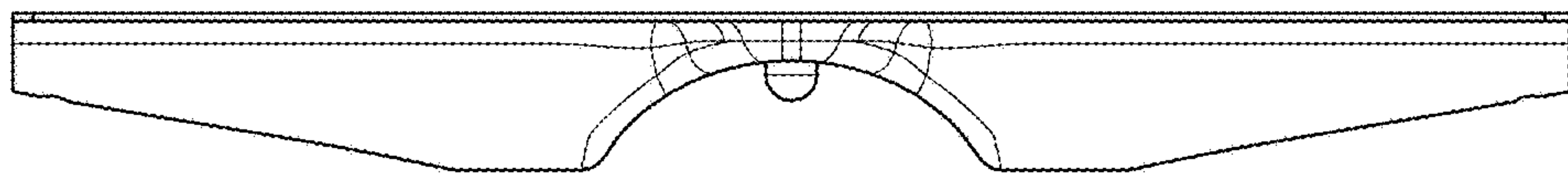


Figure 4

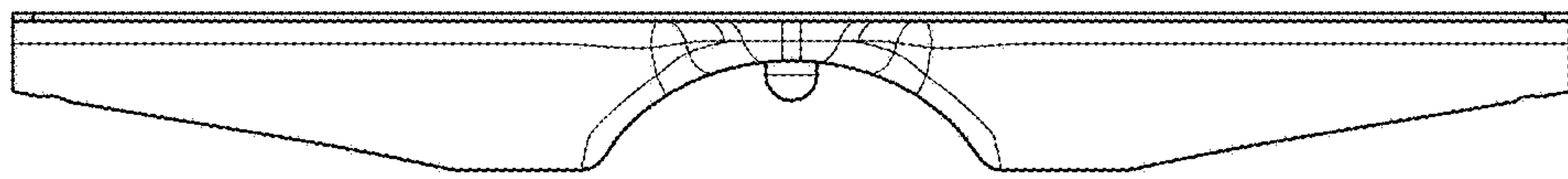


Figure 5

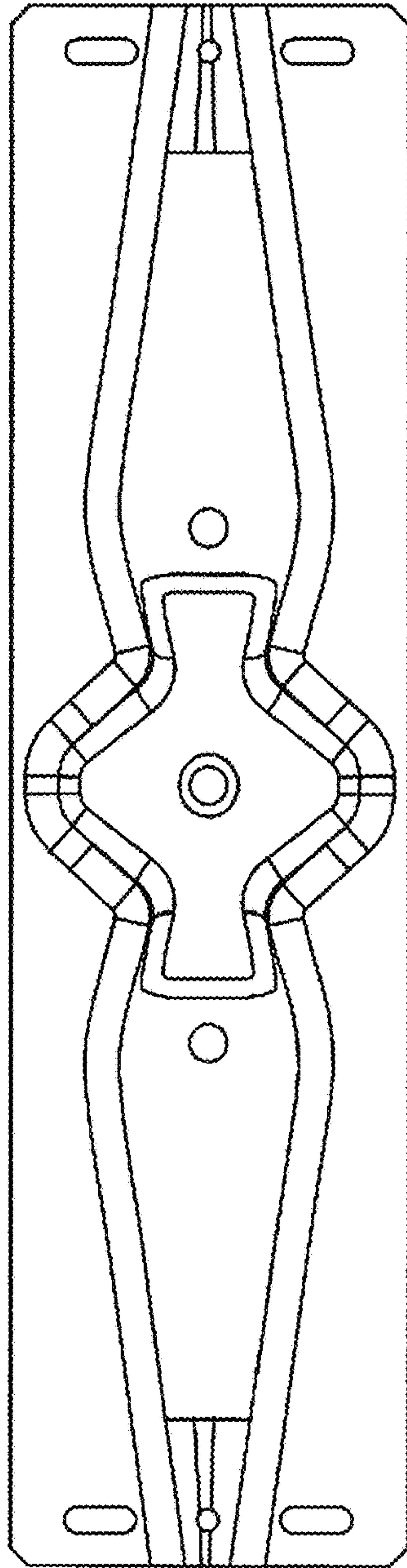


Figure 6

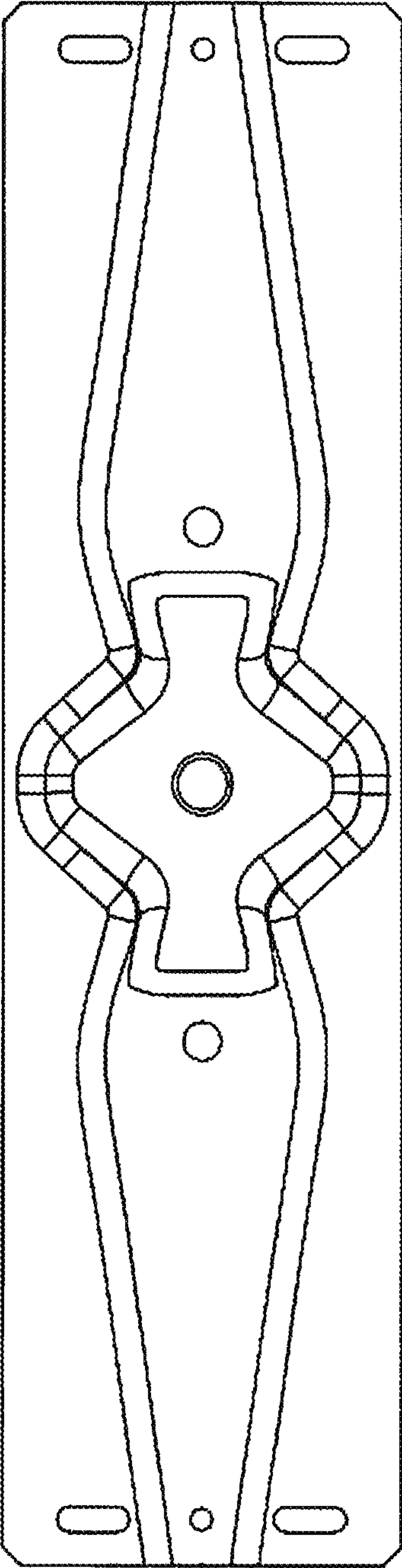


Figure 7