

US00D862372S

(12) **United States Design Patent** (10) **Patent No.:** **US D862,372 S**
Sareen (45) **Date of Patent:** **** Oct. 8, 2019**

(54) **TIRE TREAD**
(71) Applicant: **Omni United (S) Pte Ltd.**, Singapore (SG)
(72) Inventor: **Gajendra Singh Sareen**, Singapore (SG)
(73) Assignee: **Omni United (S) Pte Ltd.**, Singapore (SG)
(**) Term: **15 Years**
(21) Appl. No.: **29/693,162**
(22) Filed: **May 31, 2019**
(51) **LOC (12) Cl.** **12-15**
(52) **U.S. Cl.**
USPC **D12/553**
(58) **Field of Classification Search**
USPC D12/551, 552, 553, 563, 564, 565, 566, D12/567
CPC B60C 11/0302; B60C 2011/0313
See application file for complete search history.

D459,291 S * 6/2002 Ratliff, Jr. D12/551
D462,648 S 9/2002 Whetzel et al.
D484,455 S 12/2003 Leynaert et al.
D504,866 S * 5/2005 Collette D12/553
D555,581 S * 11/2007 Salvan D12/553
D589,435 S 3/2009 Ashton et al.
D595,639 S 7/2009 De Briey-Terlinden
D597,475 S 8/2009 Heinen et al.
D603,785 S * 11/2009 Ochi D12/564
D606,927 S * 12/2009 Kang D12/551
D607,400 S * 1/2010 Kang D12/552
D610,963 S * 3/2010 Ochi D12/552
D610,964 S * 3/2010 Dixon D12/552
D612,798 S 3/2010 Miyazaki
D615,479 S * 5/2010 Lee D12/552

(Continued)

Primary Examiner — Robert M. Spear
(74) *Attorney, Agent, or Firm* — Perkins Coie LLP

(57) **CLAIM**

The ornamental design for a tire tread, as shown and described.

DESCRIPTION

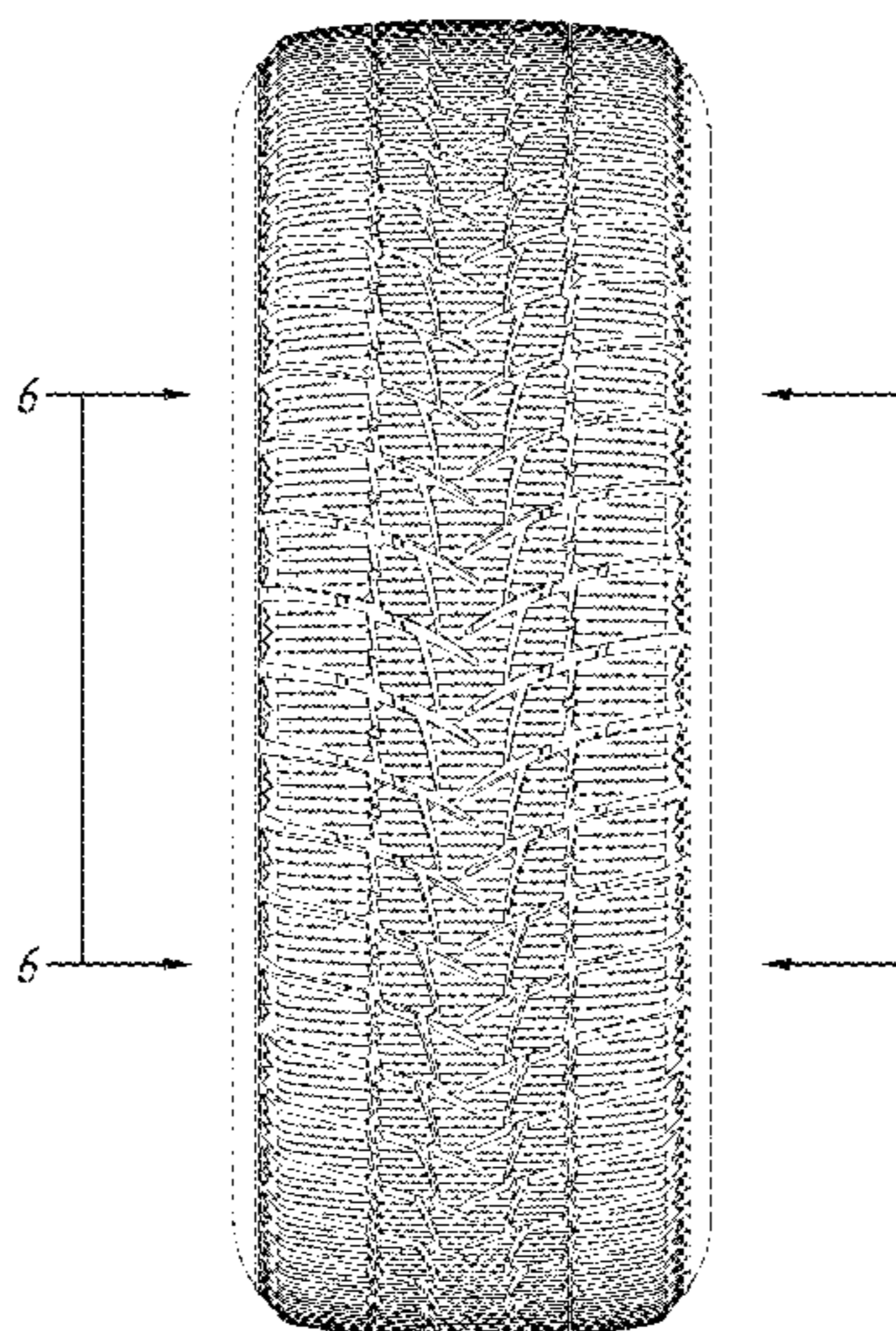
FIG. 1 is a perspective view of a tire tread, showing my new design;
FIG. 2 is a front view thereof;
FIG. 3 is a side view thereof;
FIG. 4 is an opposite side view thereof;
FIG. 5 is an enlarged perspective view of a section of the tire tread defined by lines 5-5 in FIG. 1;
FIG. 6 is an enlarged front view of a section of the tire tread as defined by lines 6-6 in FIG. 2; and,
FIG. 7 is an enlarged side view of a section of the tire tread as defined by lines 7-7 in FIG. 3.
In the drawings, the broken lines immediately adjacent the solid lines represent the claim boundaries and all other broken lines depict environmental subject matter. The broken lines form no part of the claim.

1 Claim, 7 Drawing Sheets

(56) **References Cited**

U.S. PATENT DOCUMENTS

D342,047 S 12/1993 Takahashi
D788,022 S 12/1993 Takahashi
D354,029 S * 1/1995 Voigt D12/564
5,435,364 A 7/1995 Hasegawa et al.
D379,449 S 5/1997 Graas et al.
D390,512 S 2/1998 Eromaki
D400,137 S 10/1998 Heinen et al.
D420,955 S 2/2000 Ratliff, Jr.
D431,800 S * 10/2000 Heinen D12/551
D446,170 S 8/2001 Williams
D448,721 S * 10/2001 Ochi D12/564
D451,865 S * 12/2001 Clark D12/551
D455,380 S * 4/2002 Traulle D12/552
D456,763 S 5/2002 Graas
D456,764 S * 5/2002 Heinen D12/551



(56)

References Cited

U.S. PATENT DOCUMENTS

D626,911 S * 11/2010 Takashima D12/551
 7,942,177 B2 5/2011 Nakamura
 D640,184 S 6/2011 deBriey-Terlinden
 D661,243 S * 6/2012 Raatikainen D12/553
 D666,141 S * 8/2012 Yonetsu D12/564
 D667,778 S * 9/2012 Drake D12/553
 D669,416 S * 10/2012 Cano D12/552
 D669,417 S * 10/2012 Takei D12/564
 D683,301 S * 5/2013 Kang D12/552
 8,783,313 B2 * 7/2014 Pineau B60C 11/0302
 152/209.28
 D711,309 S * 8/2014 Kawakita D12/567
 D717,725 S * 11/2014 Fujita D12/552
 D722,555 S * 2/2015 Knispel D12/564
 D723,453 S * 3/2015 Knispel D12/563
 D733,639 S * 7/2015 Fontaine D12/563
 9,085,200 B2 * 7/2015 Ochi B60C 11/0302
 D736,692 S * 8/2015 Fujita D12/564
 D740,207 S * 10/2015 Yoshida D12/553
 D777,088 S * 1/2017 Honda D12/553

D777,090 S * 1/2017 Kang D12/553
 D777,649 S * 1/2017 Ropars D12/553
 D782,397 S * 3/2017 Heinhaupt D12/552
 D786,180 S * 5/2017 Honda D12/552
 D786,781 S * 5/2017 Takei D12/563
 9,718,314 B2 * 8/2017 Shinzawa B60C 11/0302
 D800,051 S * 10/2017 Lucas D12/552
 D815,017 S * 4/2018 Bukarev B60C 11/0302
 D12/552
 9,969,223 B2 * 5/2018 Higashiura B60C 11/0306
 D819,551 S * 6/2018 Uchida D12/563
 10,005,322 B2 * 6/2018 Yoshida B60C 11/0304
 D827,558 S * 9/2018 Taniguchi D12/553
 D828,285 S * 9/2018 Jeong B60C 11/0302
 D12/552
 D829,159 S * 9/2018 Youn D12/564
 D832,773 S * 11/2018 Hayashi B60C 11/0306
 D12/551
 10,118,445 B2 * 11/2018 Ishino B60C 11/0302
 D835,568 S * 12/2018 Harris B60C 11/0302
 D12/551
 10,202,006 B2 * 2/2019 Montesello B60C 11/0302

* cited by examiner

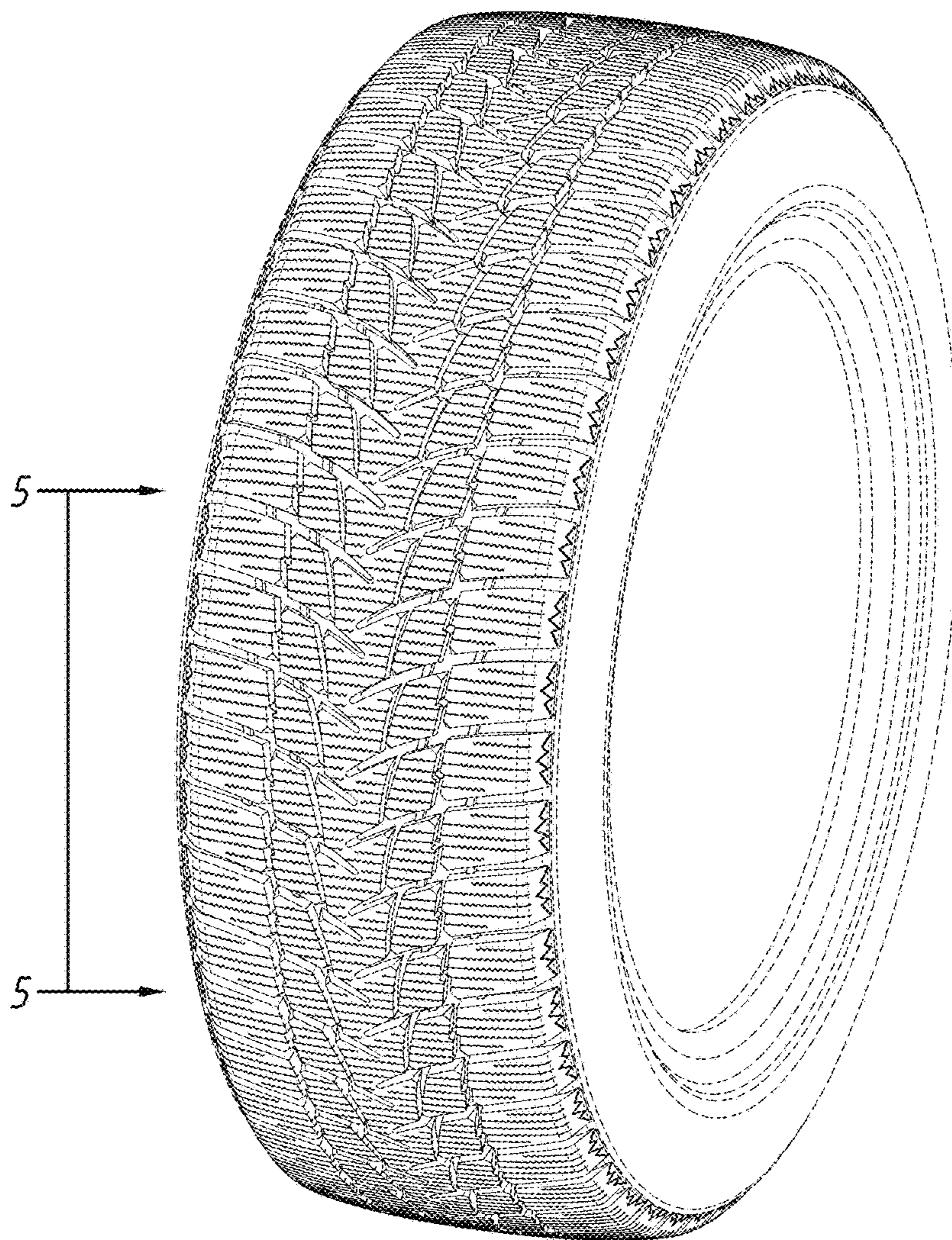


FIG. 1

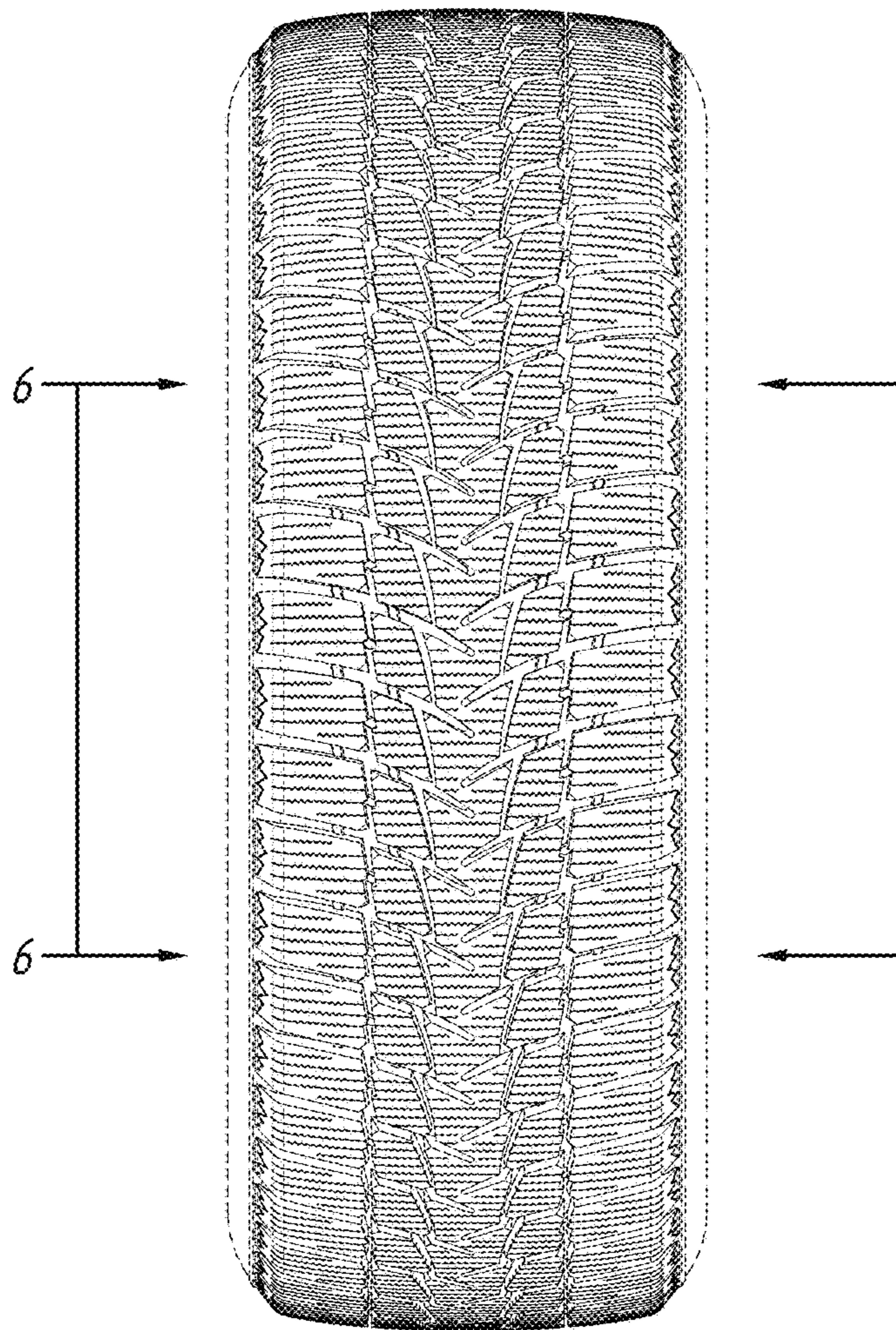


FIG. 2

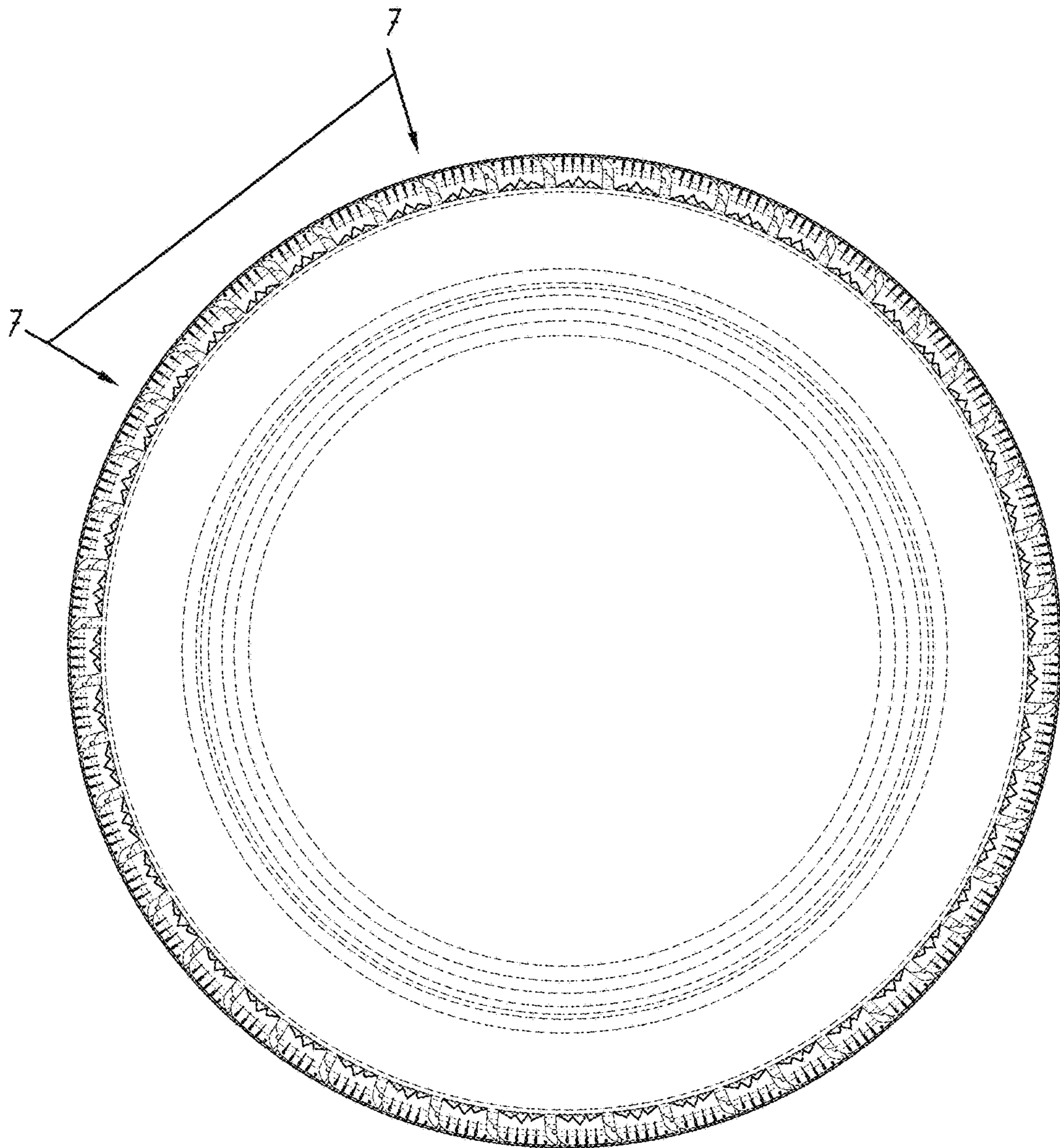


FIG. 3

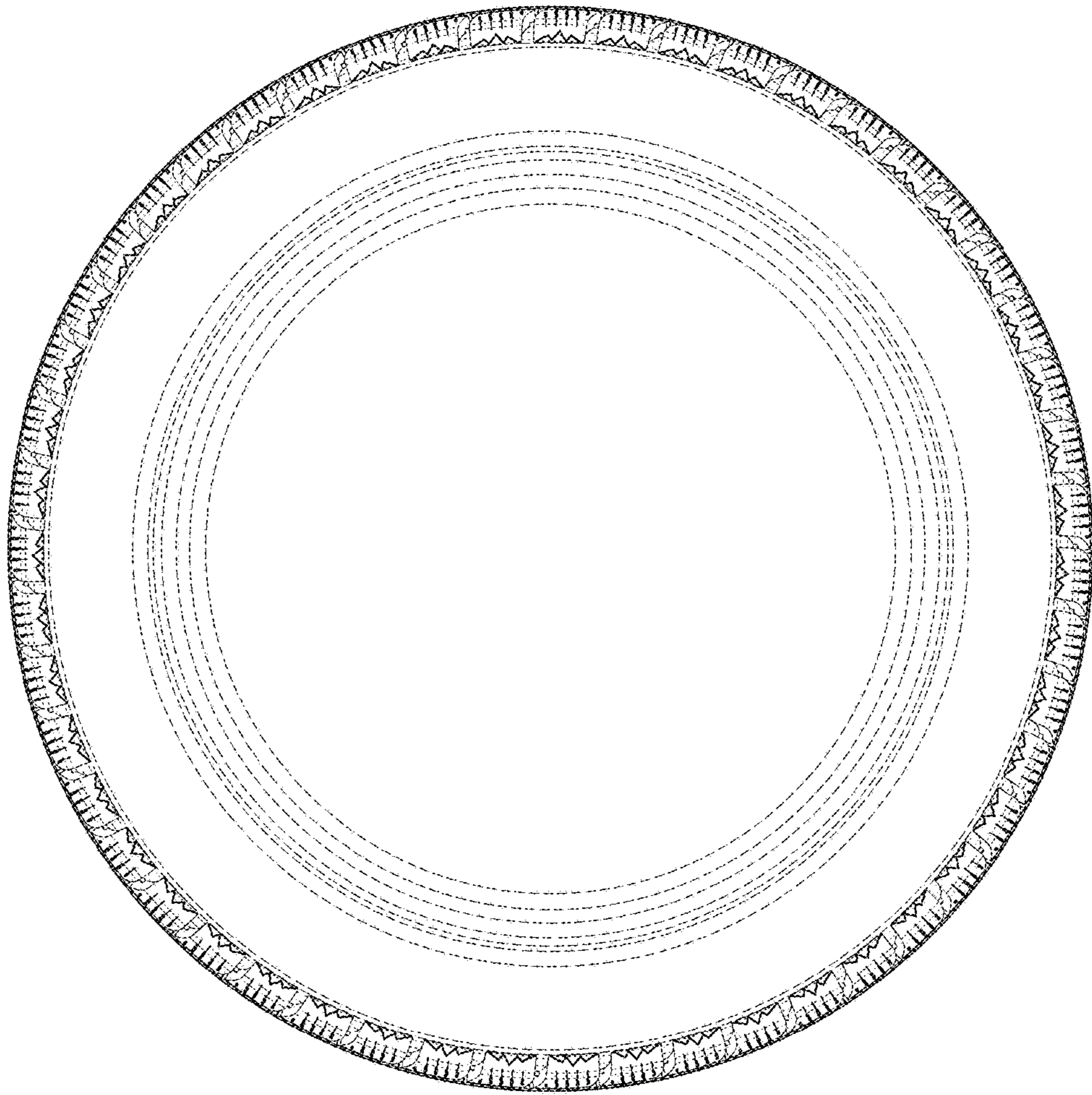


FIG. 4

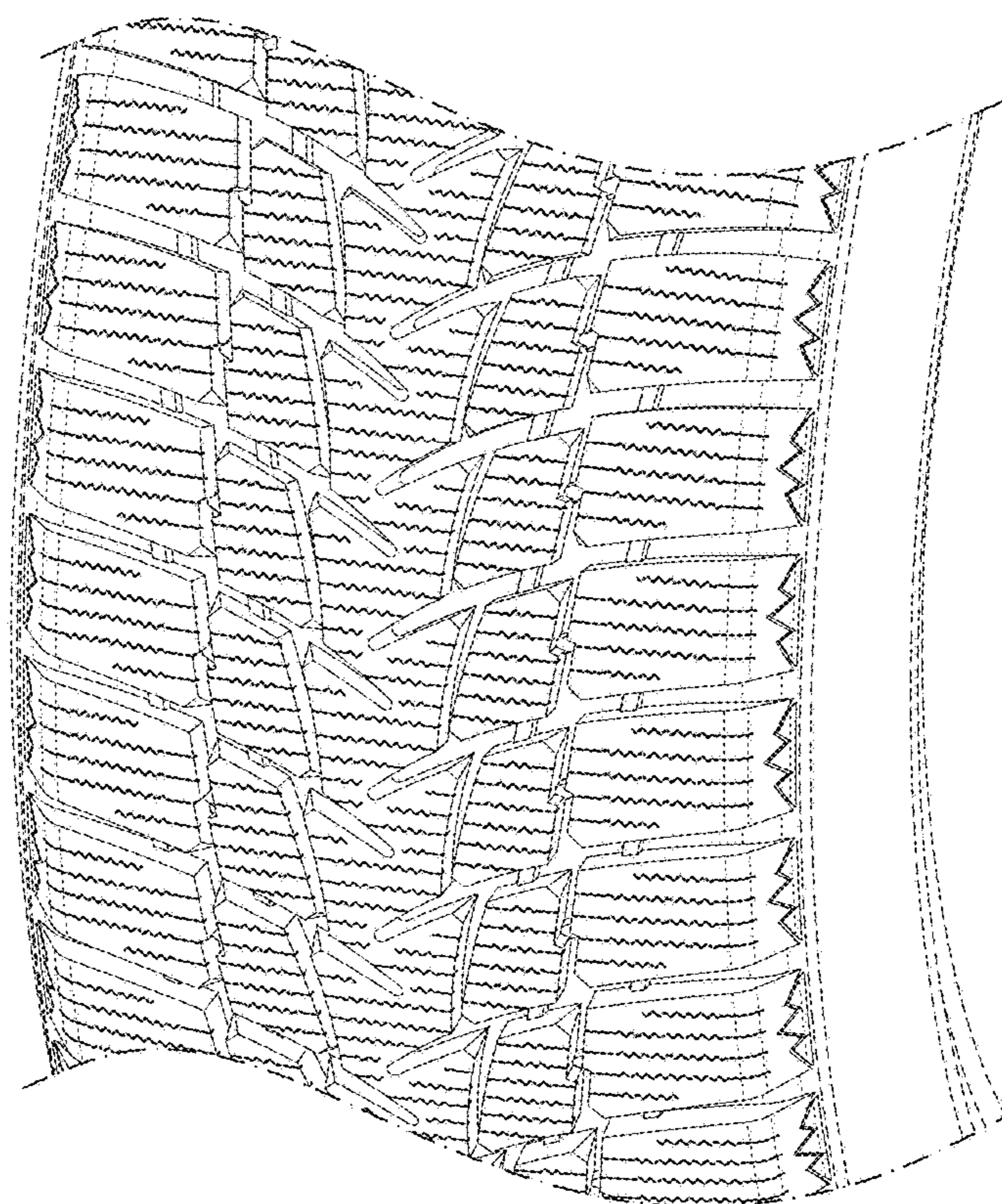


FIG. 5

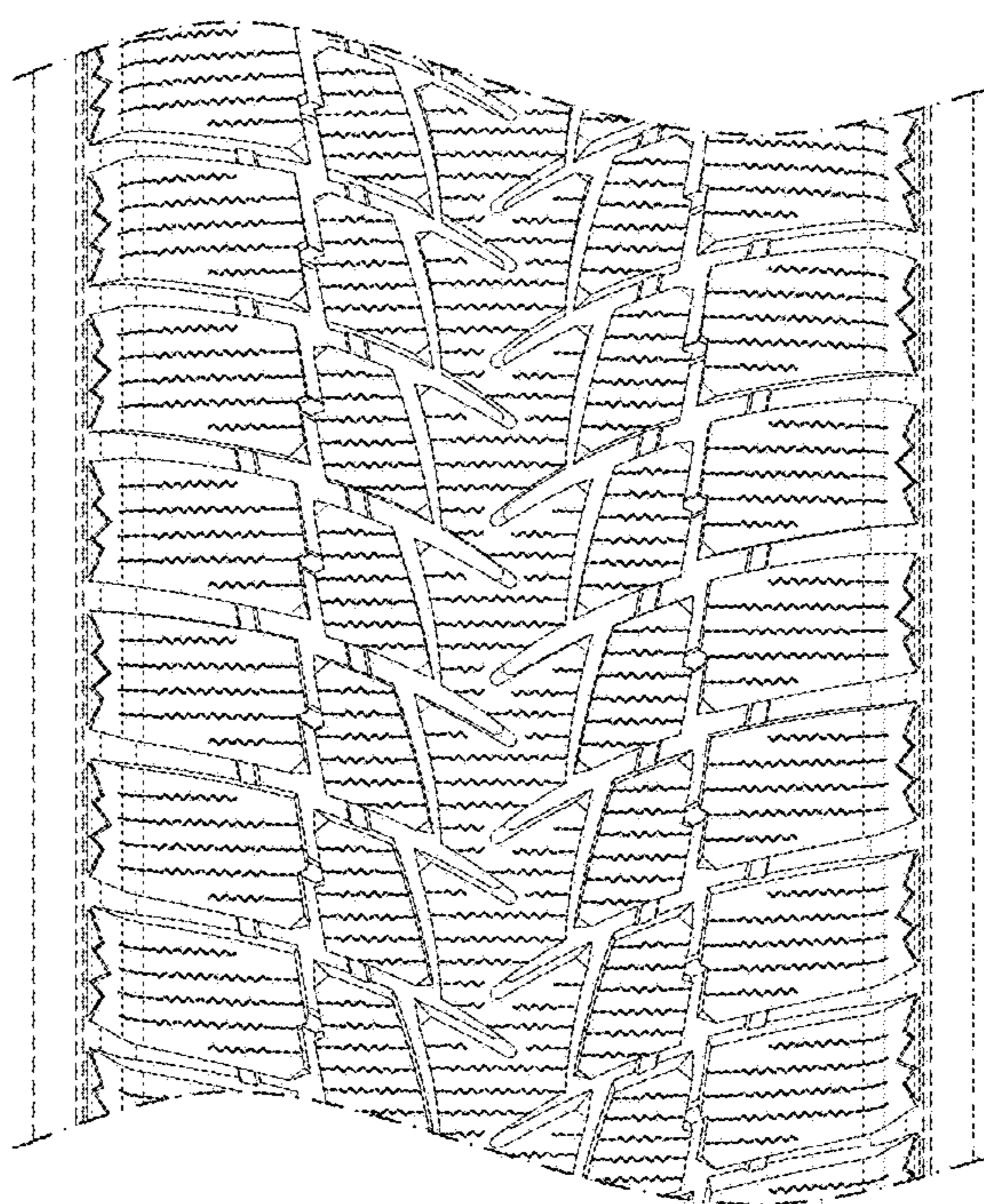


FIG. 6

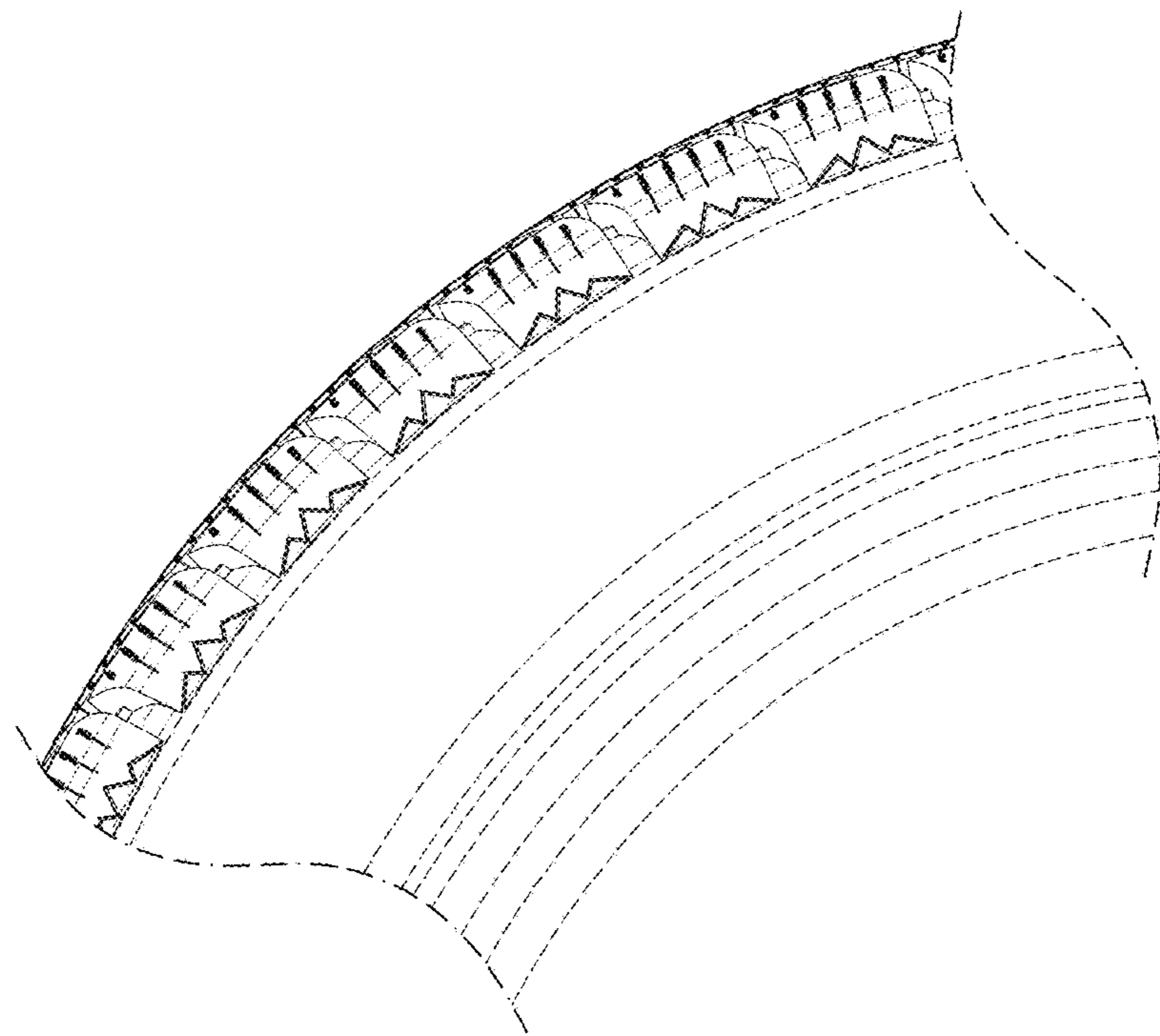


FIG. 7