

US00D862368S

(12) **United States Design Patent** (10) **Patent No.:** **US D862,368 S**
Song et al. (45) **Date of Patent:** **** Oct. 8, 2019**

(54) **OVERHEAD CONSOLE FOR VEHICLES**

(71) Applicant: **LG ELECTRONICS INC.**, Seoul (KR)

(72) Inventors: **Seunghwan Song**, Seoul (KR); **Seungmo Kang**, Seoul (KR); **Hansoo Kim**, Seoul (KR)

(73) Assignee: **LG ELECTRONICS INC.**, Seoul (KR)

(**) Term: **15 Years**

(21) Appl. No.: **35/505,381**

(22) Filed: **Jan. 25, 2018**

(80) **Hague Agreement Data**

Int. Filing Date: **Jan. 25, 2018**

Int. Reg. No.: **DM/099598**

Int. Reg. Date: **Jan. 25, 2018**

Int. Reg. Pub. Date: **Jul. 27, 2018**

(30) **Foreign Application Priority Data**

Jul. 27, 2017 (KR) 30-2017-0034768

(51) **LOC (12) Cl.** **12-16**

(52) **U.S. Cl.**
USPC **D12/418**

(58) **Field of Classification Search**

USPC D12/418

See application file for complete search history.

(56) **References Cited**

U.S. PATENT DOCUMENTS

D251,838 S * 5/1979 Derreberry D12/418

D428,849 S * 8/2000 Higginson D12/418

D670,231 S * 11/2012 Stimel, Jr. D12/418

* cited by examiner

Primary Examiner — George D. Kirschbaum

(74) *Attorney, Agent, or Firm* — Birch, Stewart, Kolasch & Birch, LLP

(57) **CLAIM**

The ornamental design for an overhead console for vehicles, as shown and described.

DESCRIPTION

1. Overhead console for vehicles

1.1 : Perspective

1.2 : Front

1.3 : Back

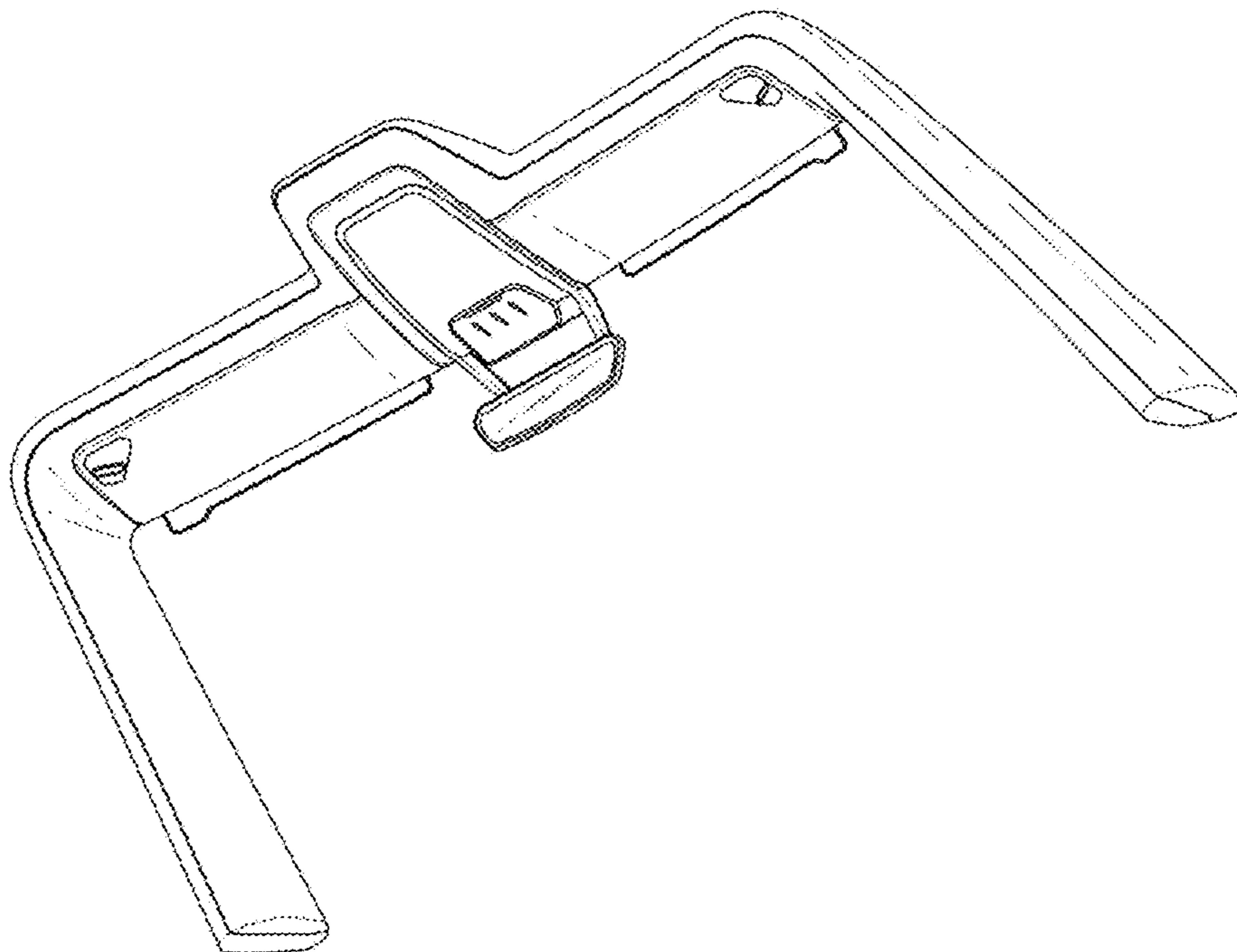
1.4 : Left

1.5 : Right

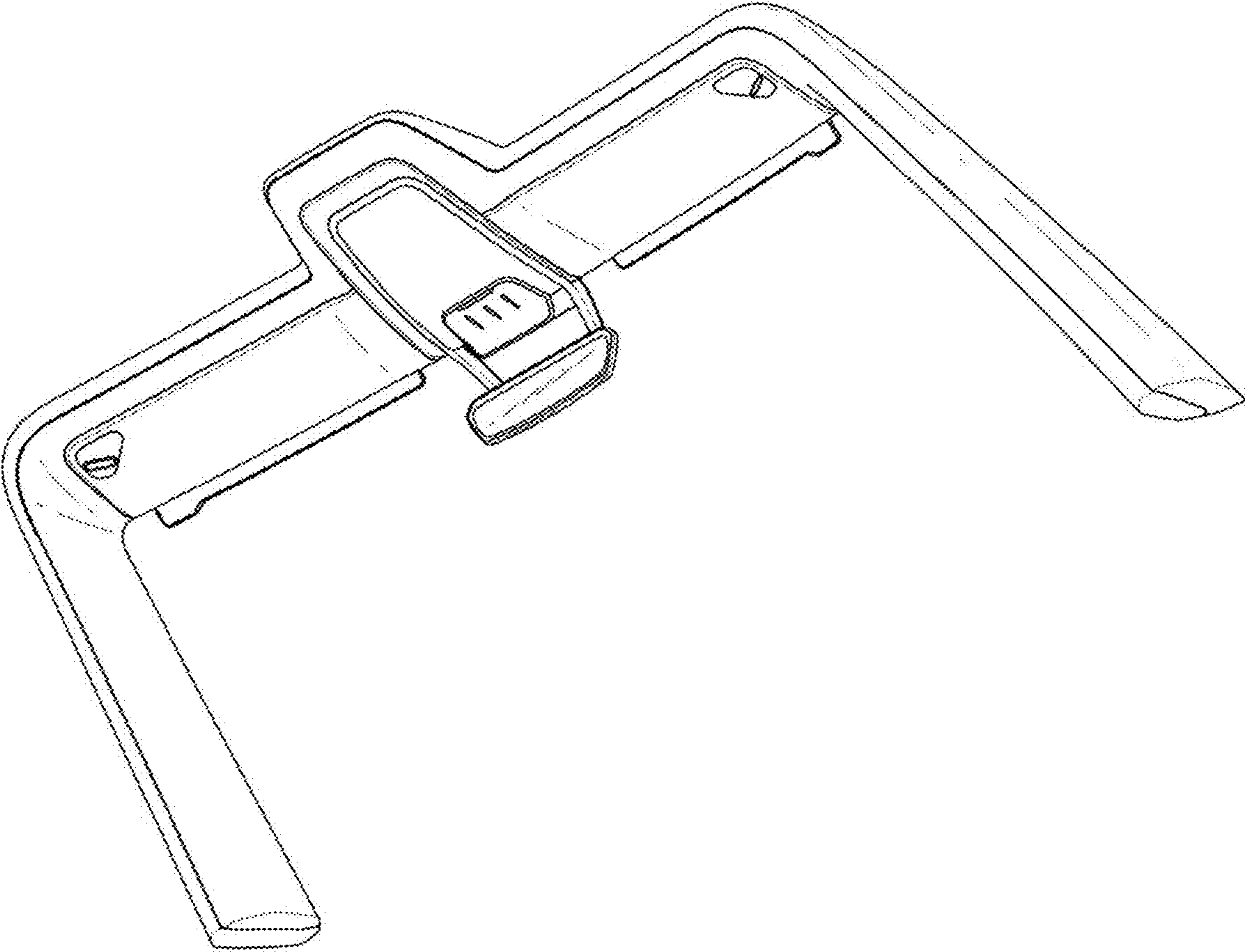
1.6 : Top

1.7 : Bottom

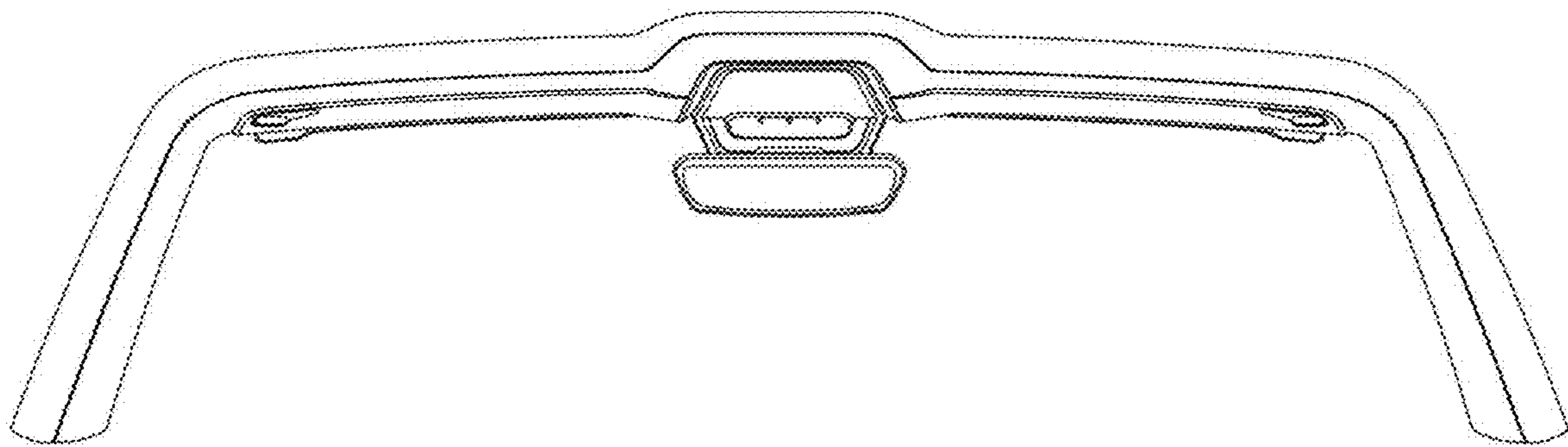
1 Claim, 7 Drawing Sheets



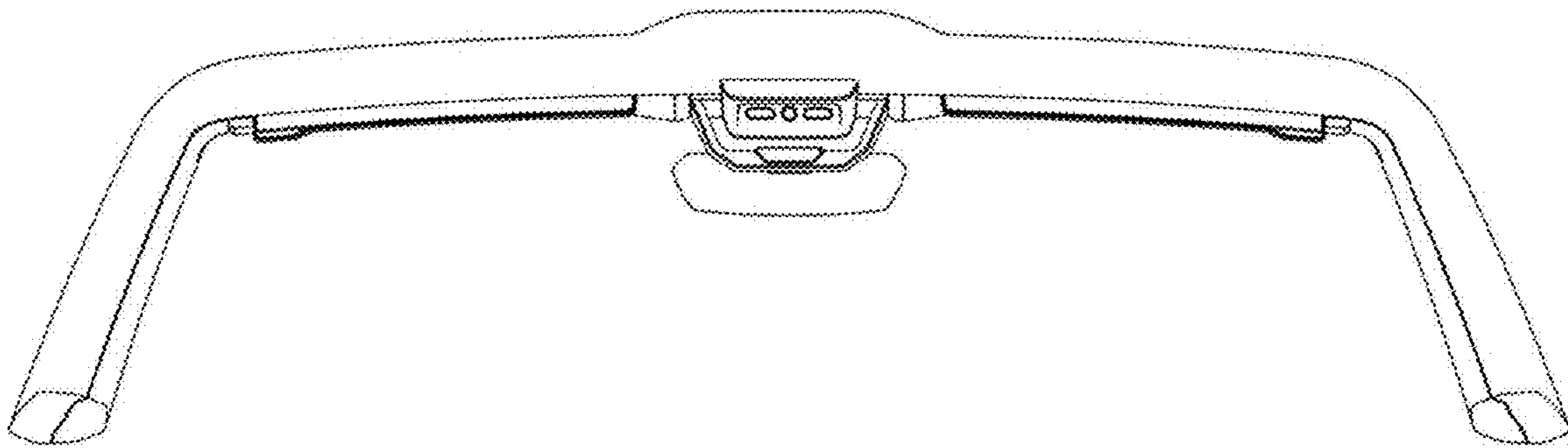
1.1



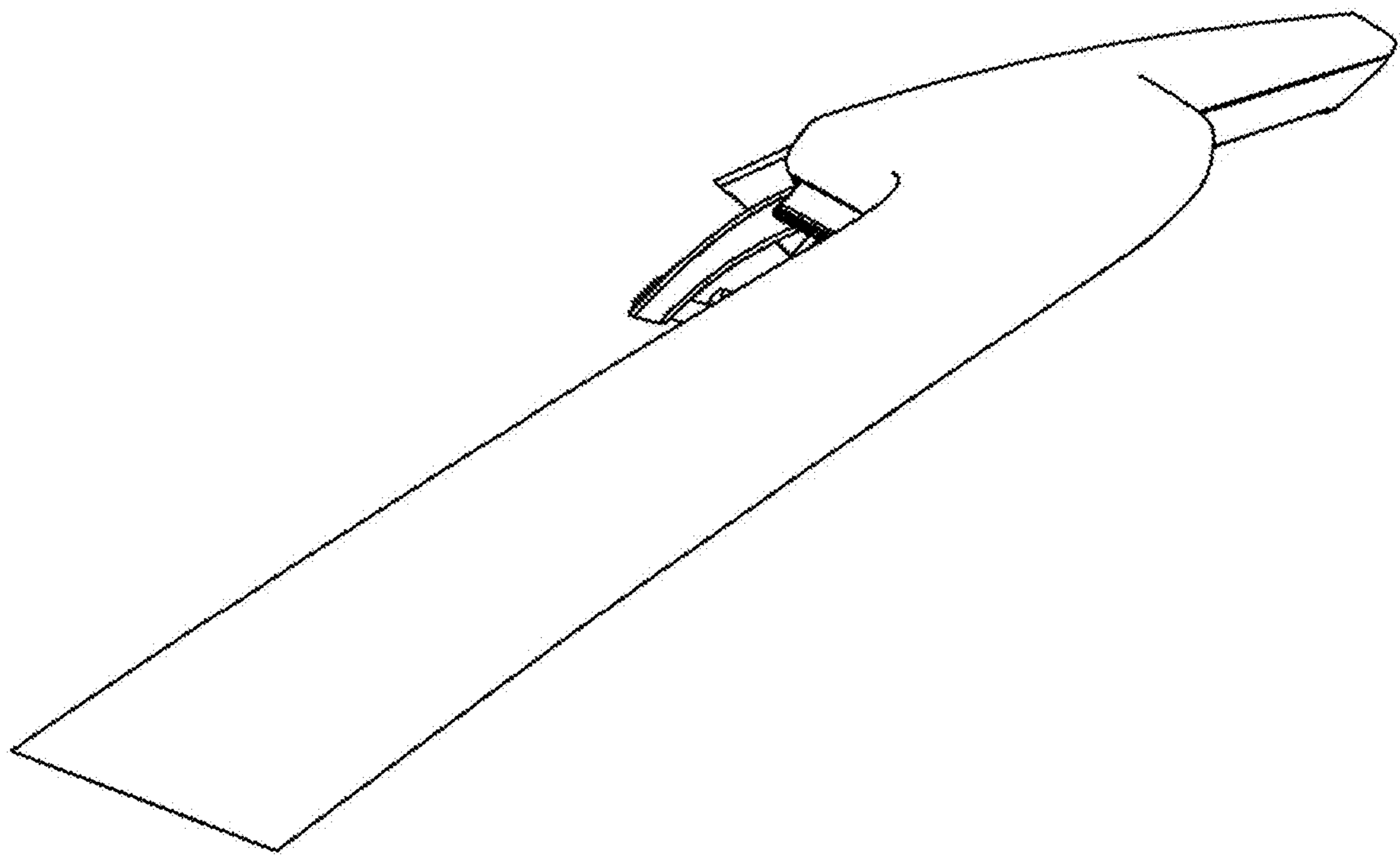
1.2

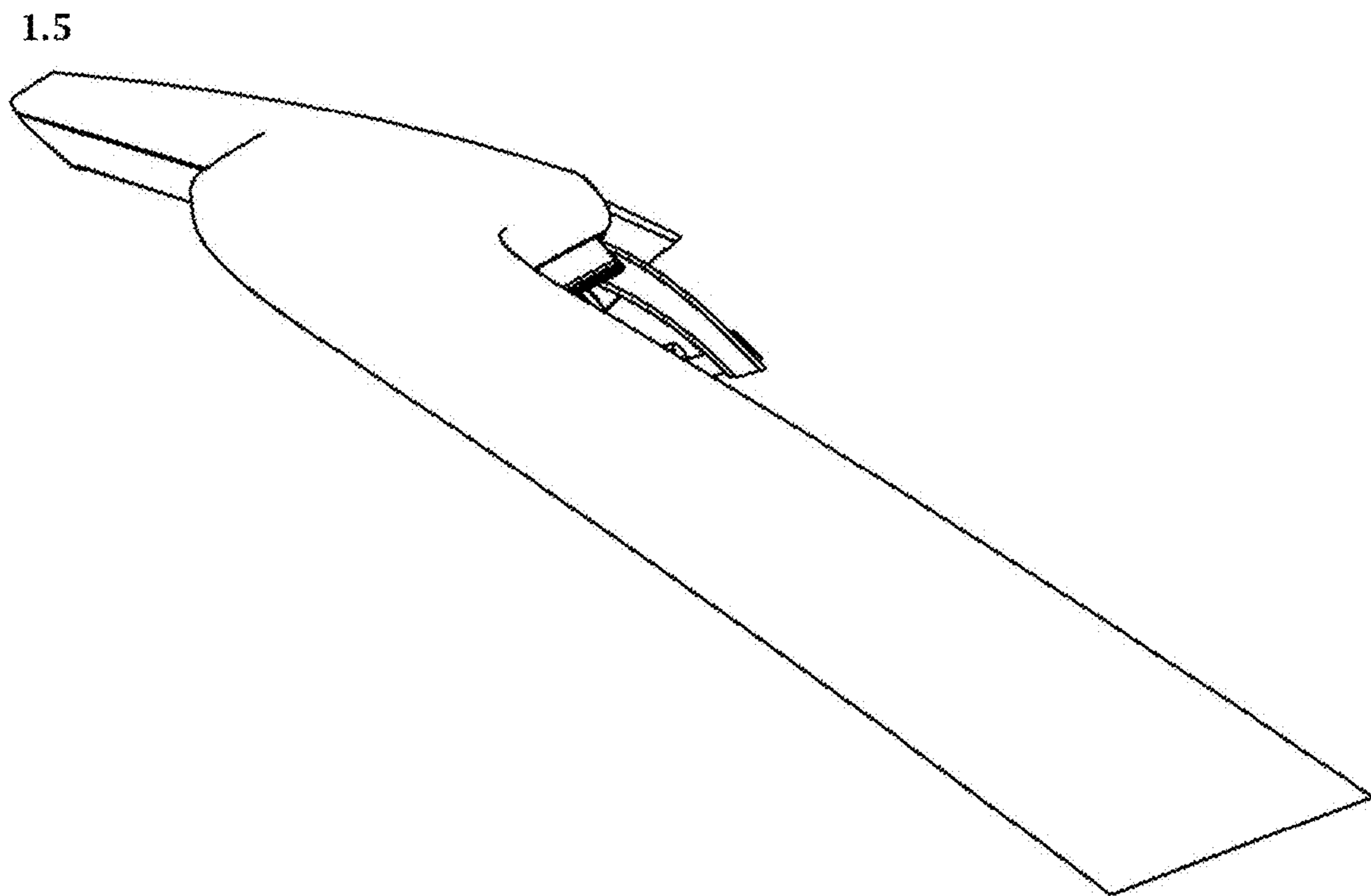


1.3

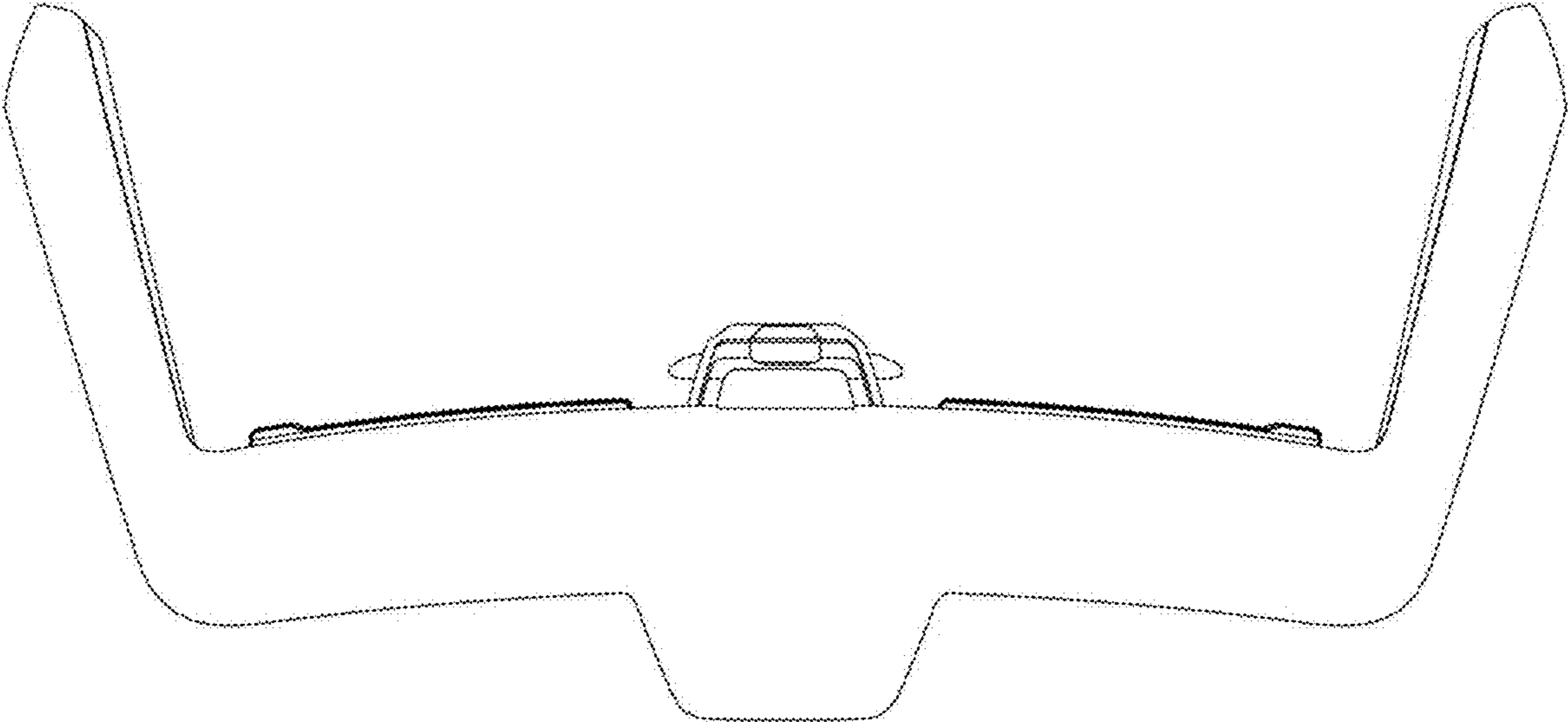


1.4





1.6



1.7

