

US00D862367S

(12) **United States Design Patent**
Ahn et al.

(10) **Patent No.:** **US D862,367 S**

(45) **Date of Patent:** **** Oct. 8, 2019**

(54) **INTERIOR HEADLINER POD CONSOLE**

(71) Applicant: **Waymo LLC**, Mountain View, CA (US)

(72) Inventors: **YooJung Ahn**, Mountain View, CA (US); **Joshua Newby**, San Francisco, CA (US); **Albert Shane**, Berkeley, CA (US)

(73) Assignee: **Waymo LLC**, Mountain View, CA (US)

(**) Term: **15 Years**

(21) Appl. No.: **29/602,114**

(22) Filed: **Apr. 28, 2017**

(51) **LOC (12) Cl.** **12-16**

(52) **U.S. Cl.**
USPC **D12/416**

(58) **Field of Classification Search**
USPC D12/415-416.1, 400, 195, 190, 345, 96, D12/99; D3/319; D9/423
CPC B60R 2011/0028; B60R 11/00
See application file for complete search history.

(56) **References Cited**

U.S. PATENT DOCUMENTS

D541,730 S * 5/2007 Vitito D12/418
D559,765 S * 1/2008 Vitito D12/418

D564,439 S * 3/2008 Vitito D12/418
D569,784 S * 5/2008 Vitto D12/418
D580,345 S * 11/2008 Paxton D12/418
D592,585 S * 5/2009 Moburg D12/418
D598,839 S * 8/2009 Wilhelm D12/418
D724,003 S * 3/2015 Fonseca D12/418
D756,891 S * 5/2016 Roth D12/418

* cited by examiner

Primary Examiner — Katrina A Betton

(74) *Attorney, Agent, or Firm* — Botos Churchill IP Law LLP

(57) **CLAIM**

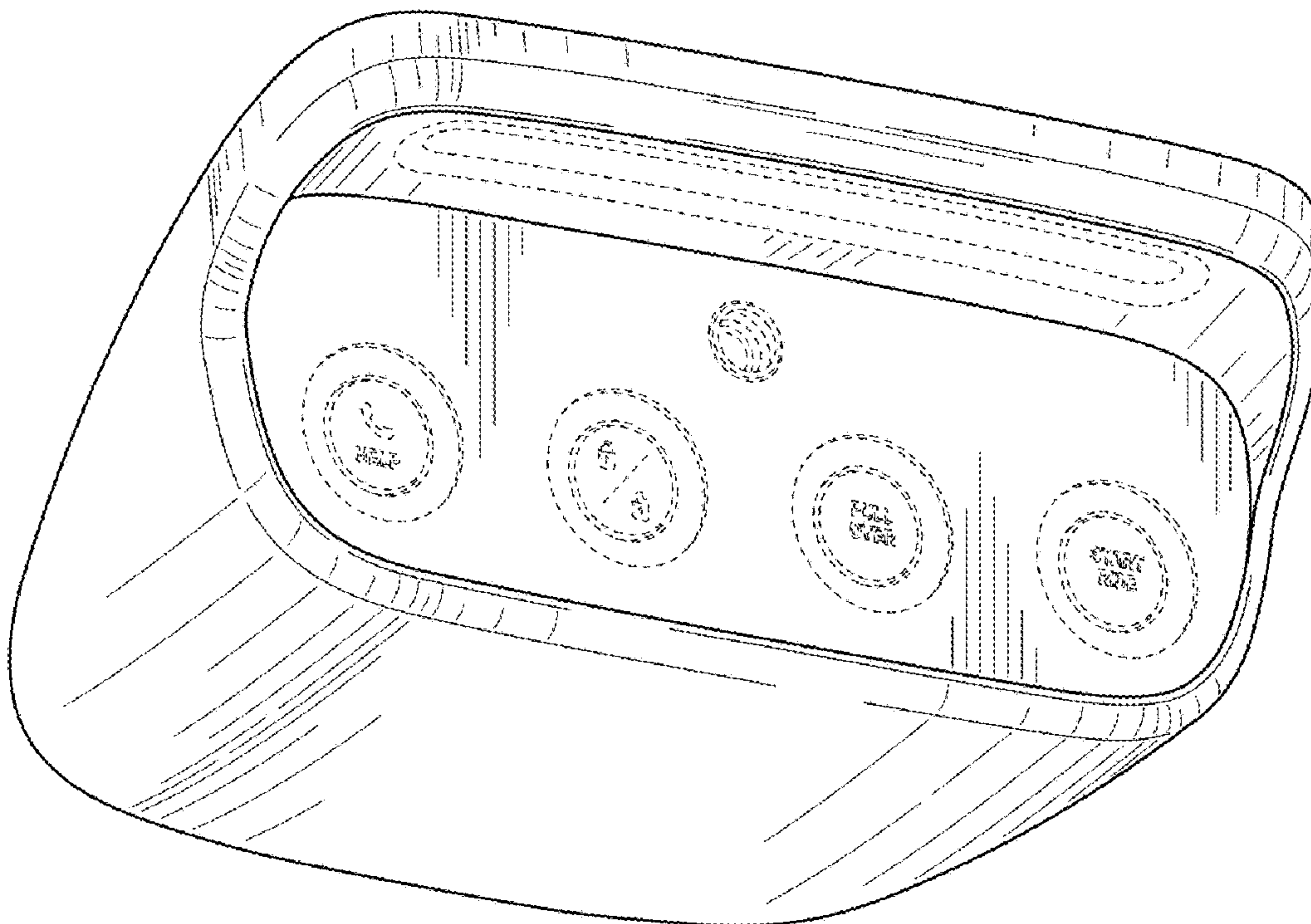
The ornamental design for an interior headliner pod console, as shown and described.

DESCRIPTION

FIG. 1 is a front perspective view of the interior headliner pod console according to our design; FIG. 2 is a front elevation view thereof; FIG. 3 is a back elevation view thereof; FIG. 4 is a right side elevation view thereof; FIG. 5 is a left side elevation view thereof; FIG. 6 is a top plan view thereof; and, FIG. 7 is a bottom plan view thereof.

The broken lines shown in FIGS. 1-7 illustrate portions of the interior headliner pod console that form no part of the claimed design.

1 Claim, 5 Drawing Sheets



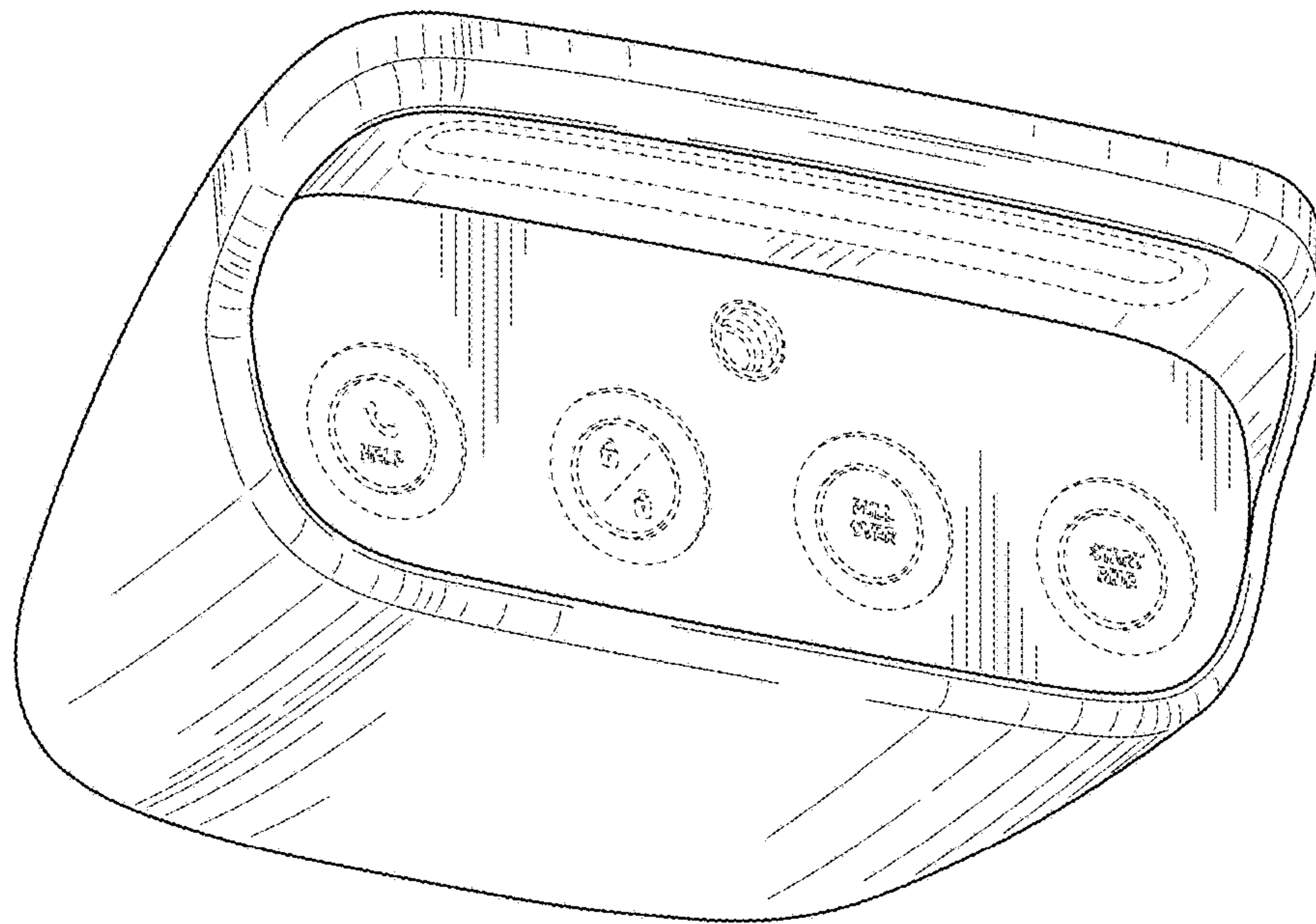


FIG. 1

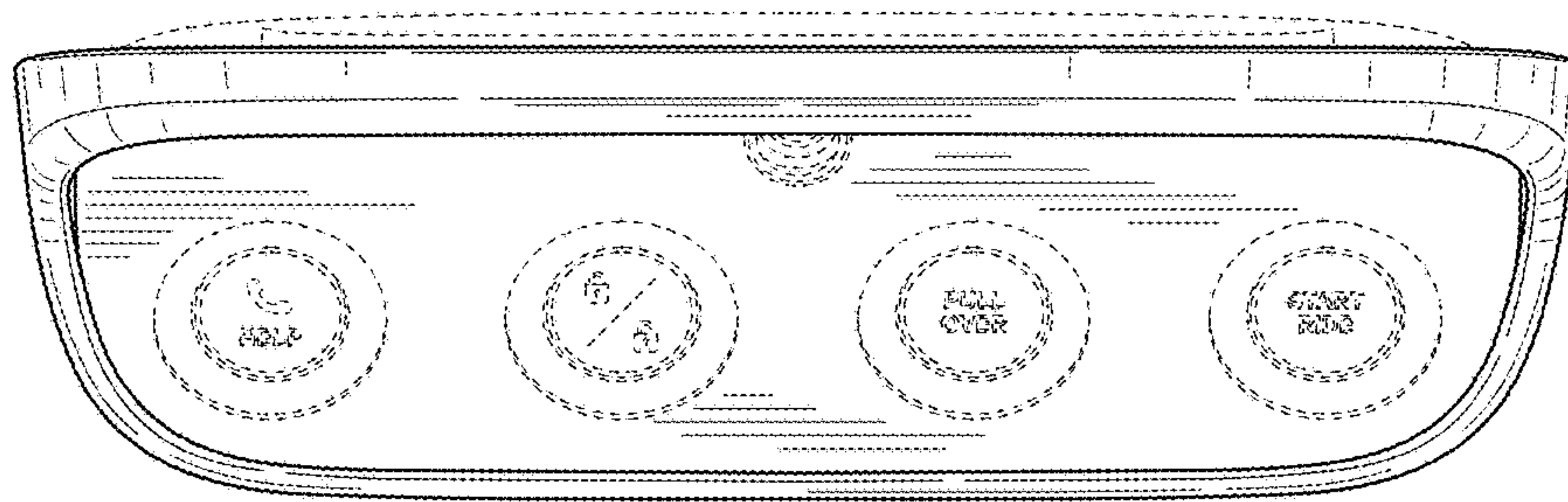


FIG. 2

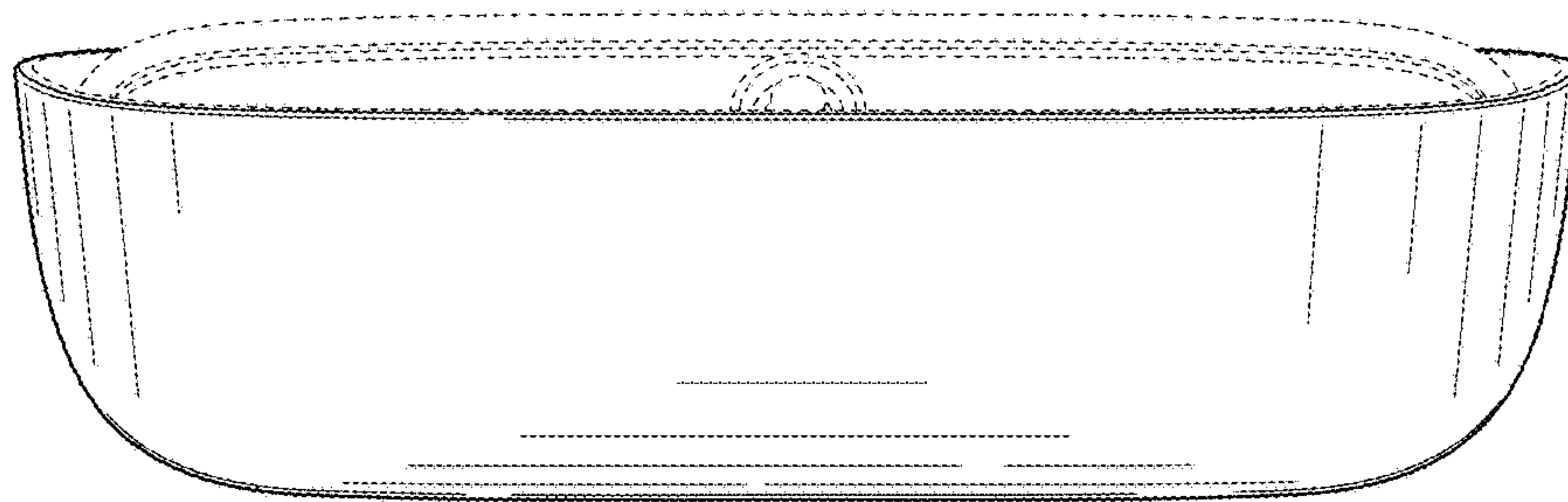


FIG. 3

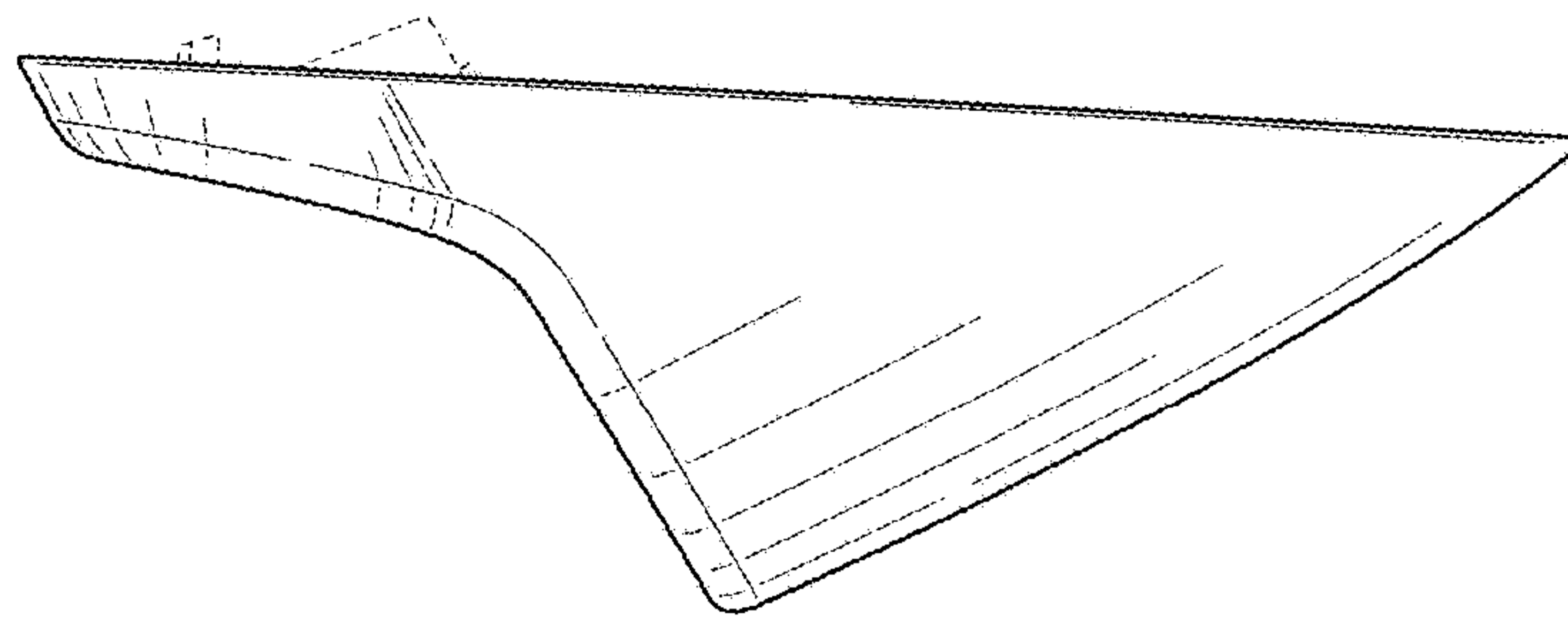


FIG. 4

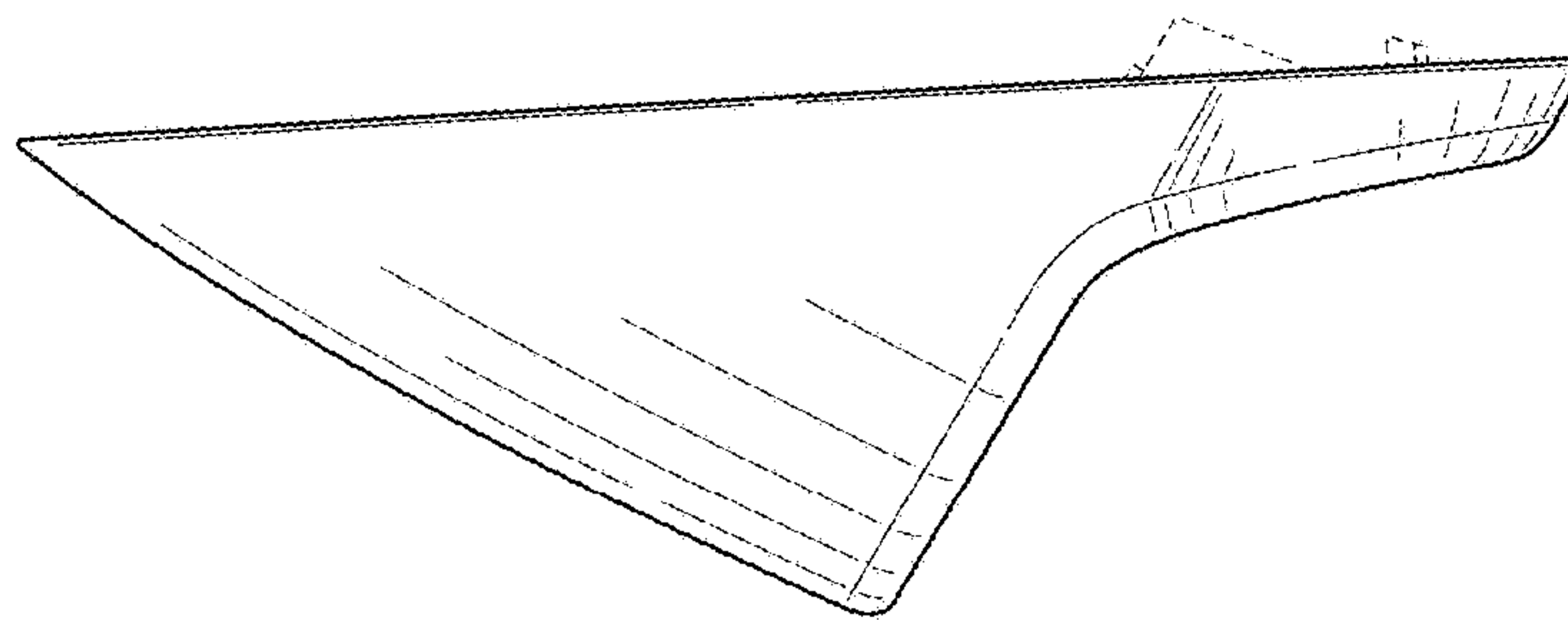


FIG. 5

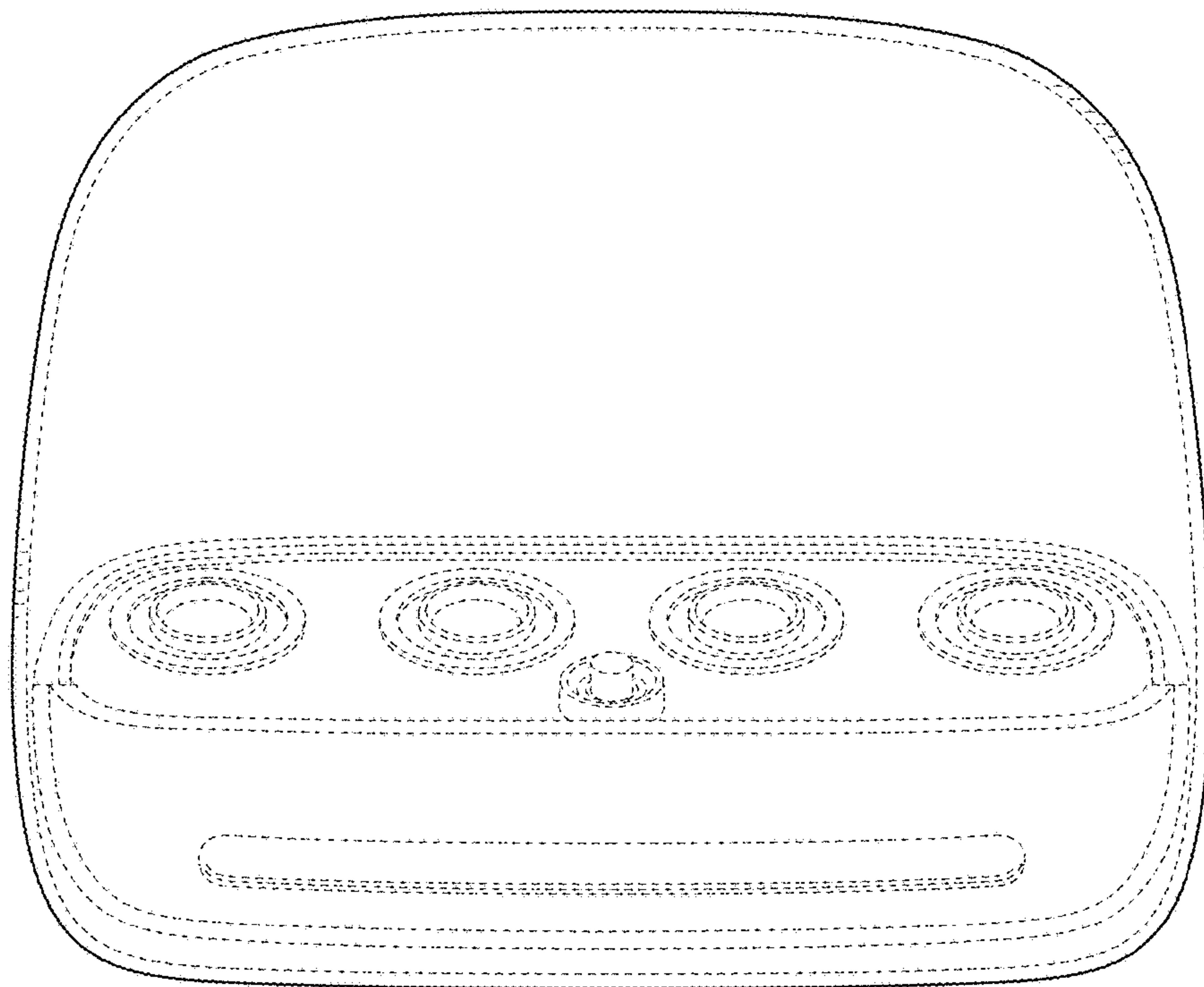


FIG. 6

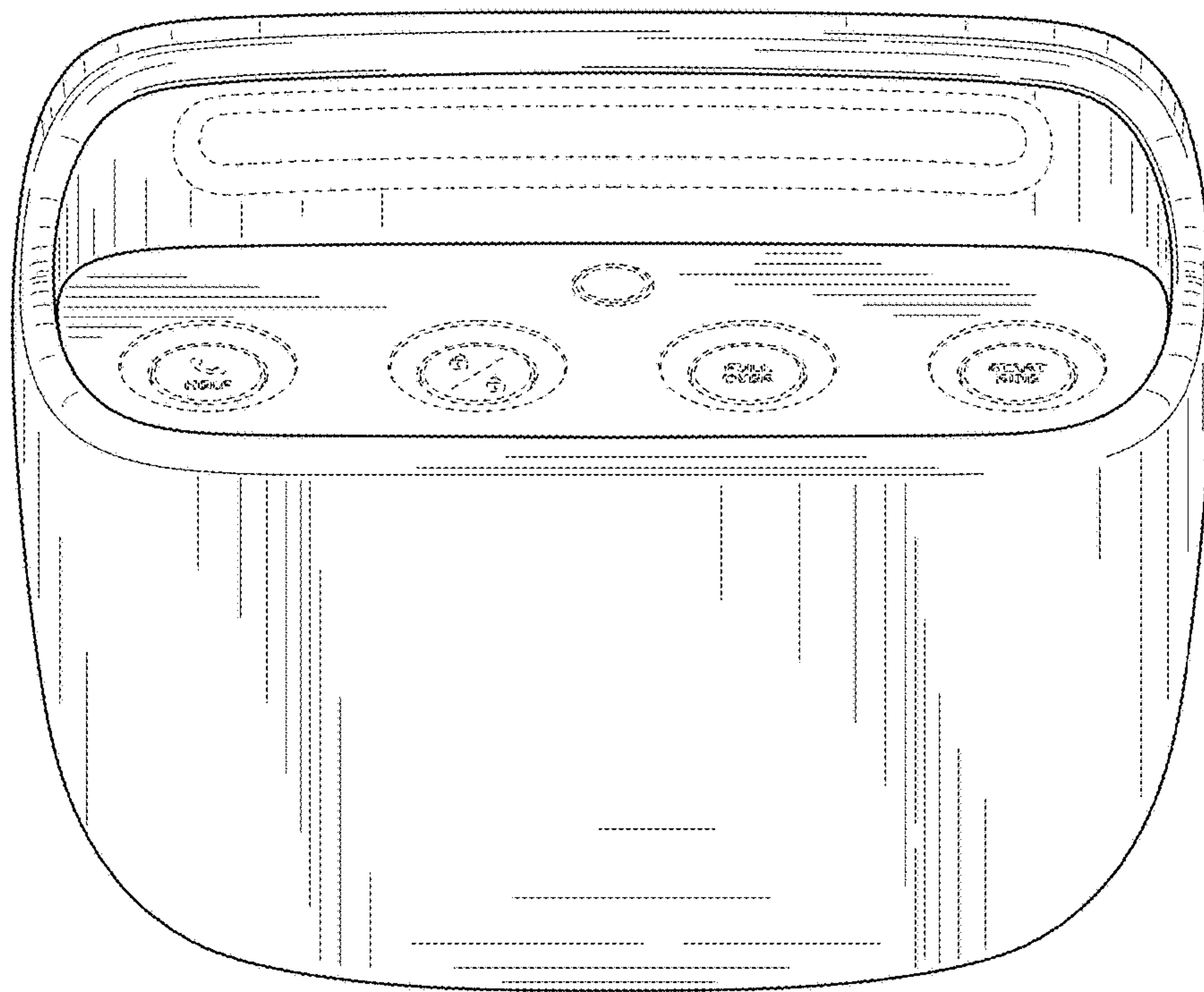


FIG. 7