



US00D862366S

(12) **United States Design Patent** (10) **Patent No.:** **US D862,366 S**  
**Kang et al.** (45) **Date of Patent:** **\*\* Oct. 8, 2019**

(54) **CENTER CONSOLE FOR AUTOMOBILE**

(71) Applicant: **LG ELECTRONICS INC.**, Seoul (KR)

(72) Inventors: **Seungmo Kang**, Seoul (KR); **Hansoo Kim**, Seoul (KR); **Seunghwan Song**, Seoul (KR); **Juneho Song**, Seoul (KR)

(73) Assignee: **LG ELECTRONICS INC.**, Seoul (KR)

(\*\*) Term: **15 Years**

(21) Appl. No.: **35/505,471**

(22) Filed: **Feb. 9, 2018**

(80) **Hague Agreement Data**

Int. Filing Date: **Feb. 9, 2018**  
Int. Reg. No.: **DM/100277**  
Int. Reg. Date: **Feb. 9, 2018**  
Int. Reg. Pub. Date: **Aug. 10, 2018**

(30) **Foreign Application Priority Data**

Aug. 11, 2017 (KR) ..... 30-2017-0037567

(51) **LOC (12) Cl.** ..... **12-16**

(52) **U.S. Cl.**  
USPC ..... **D12/415**

(58) **Field of Classification Search**  
USPC ..... D12/192, 415; D14/218; D18/4.4; D7/566, 582, 562, 554.2  
CPC ..... H04W 52/0254  
See application file for complete search history.

(56) **References Cited**

**U.S. PATENT DOCUMENTS**

D154,216 S \* 6/1949 Reifsnnyder ..... D7/562  
D187,156 S \* 2/1960 Masuda ..... D7/585  
D525,832 S \* 8/2006 Hayes ..... D7/554.2

D575,711 S \* 8/2008 Johannsen ..... D12/192  
D575,712 S \* 8/2008 Johannsen ..... D12/192  
D577,963 S \* 10/2008 Eide ..... D7/585  
D595,542 S \* 7/2009 Dewey ..... D7/566  
D602,841 S \* 10/2009 Wilhelm ..... D12/415  
D681,608 S \* 5/2013 Takami ..... D14/218  
D702,504 S \* 4/2014 Tibbets ..... D7/566  
D729,774 S \* 5/2015 Uchiyama ..... D14/218  
D739,337 S \* 9/2015 Persson ..... D12/415  
D775,607 S \* 1/2017 Uchiyama ..... D14/218  
D776,640 S \* 1/2017 Simonian ..... D14/218  
9,555,594 B2 \* 1/2017 Littlejohn ..... A47G 19/03  
D809,589 S \* 2/2018 Chatterton ..... H04W 52/0254  
D18/4.4  
D817,103 S \* 5/2018 Clarichetti ..... D7/585  
D825,435 S \* 8/2018 Yu ..... D12/415

\* cited by examiner

*Primary Examiner* — George D. Kirschbaum

(74) *Attorney, Agent, or Firm* — Birch, Stewart, Kolasch & Birch, LLP

(57) **CLAIM**

The ornamental design for a center console for automobile, as shown and described.

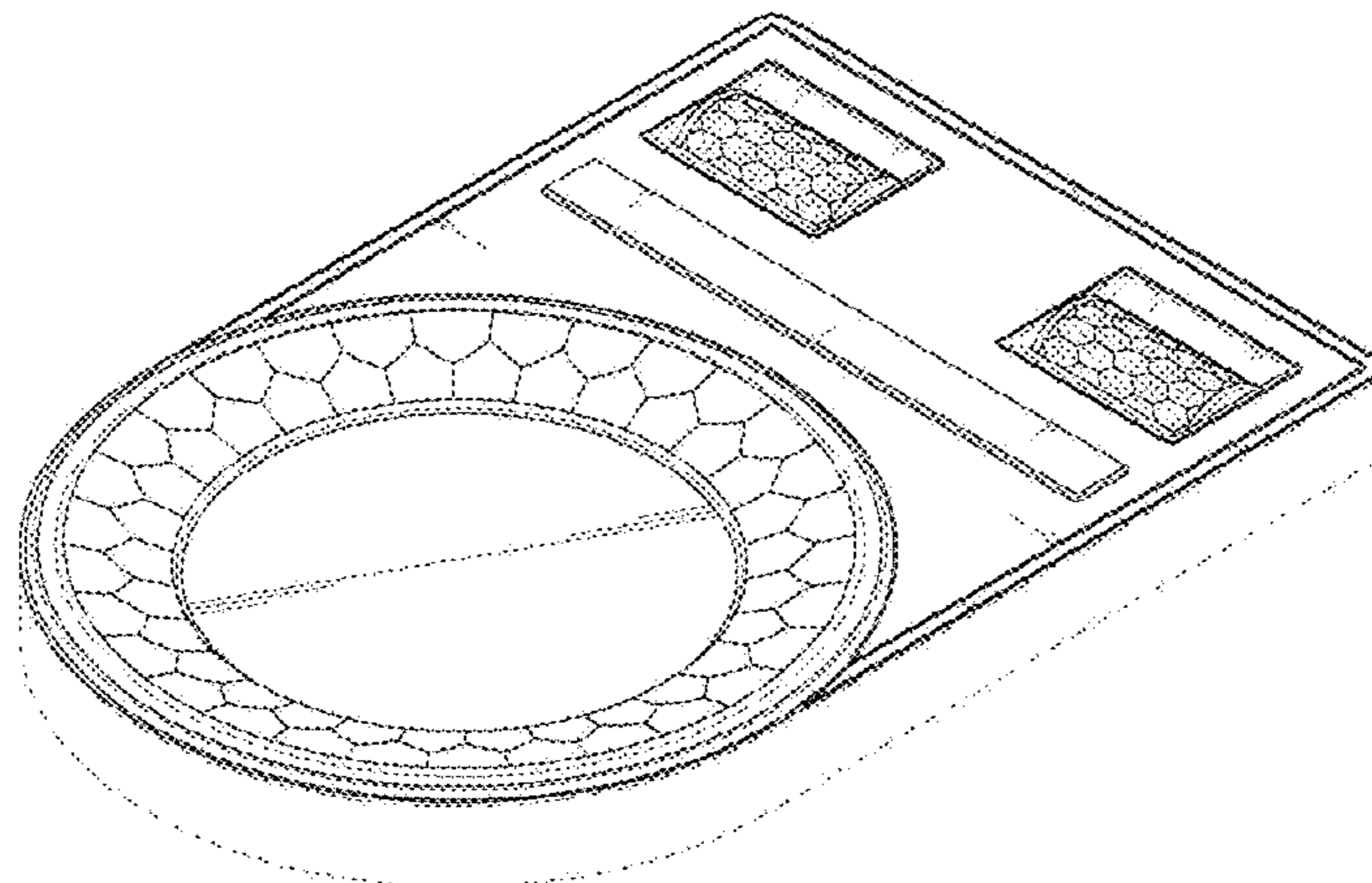
**DESCRIPTION**

1. Center console for automobile

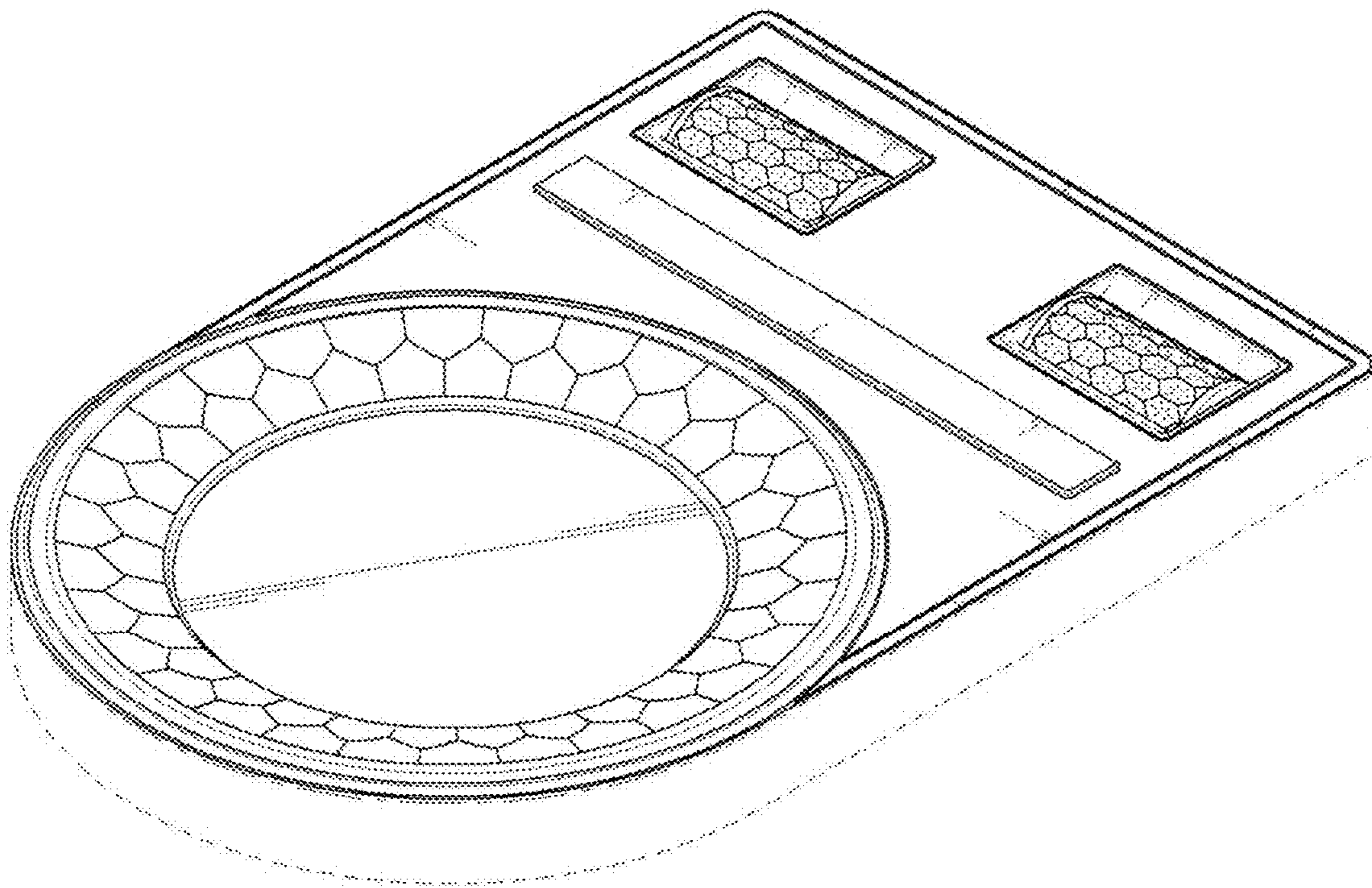
- 1.1 : Perspective
- 1.2 : Front
- 1.3 : Back
- 1.4 : Left
- 1.5 : Top
- 1.6 : Bottom
- 1.7 : Reference photo

The broken lines depict portions of the center console for automobile that form no part of the claimed design. The dash-dot broken lines define the boundary of the claimed design and form no part thereof. FIG. 1.7 shows the claimed design in use. The material surrounding the claimed design, as disclosed in figures 1.1-1.6, depicts unclaimed environmental subject matter.

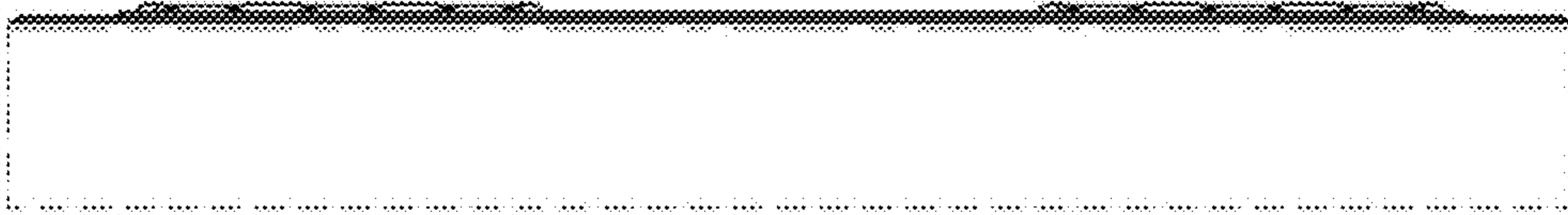
**1 Claim, 7 Drawing Sheets**



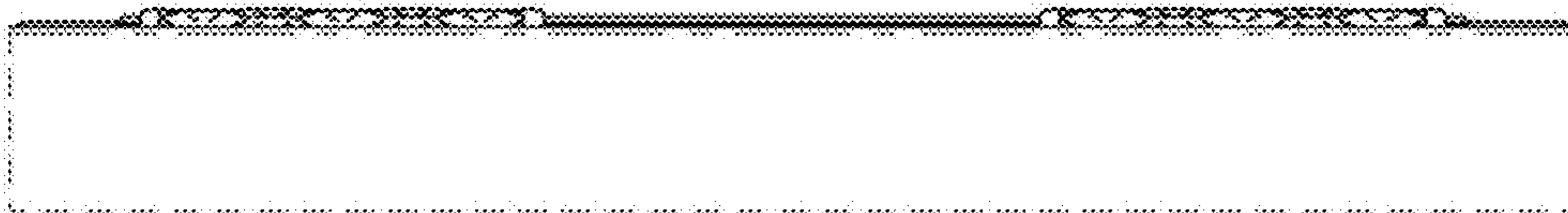
1.1



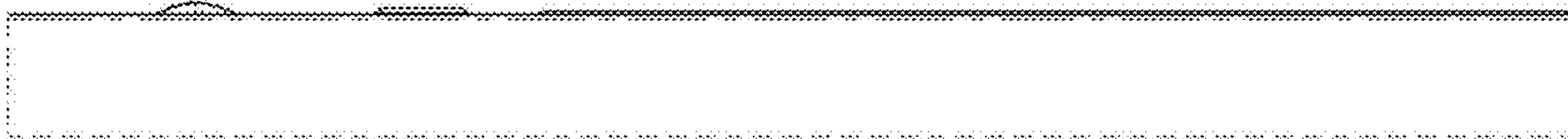
1.2



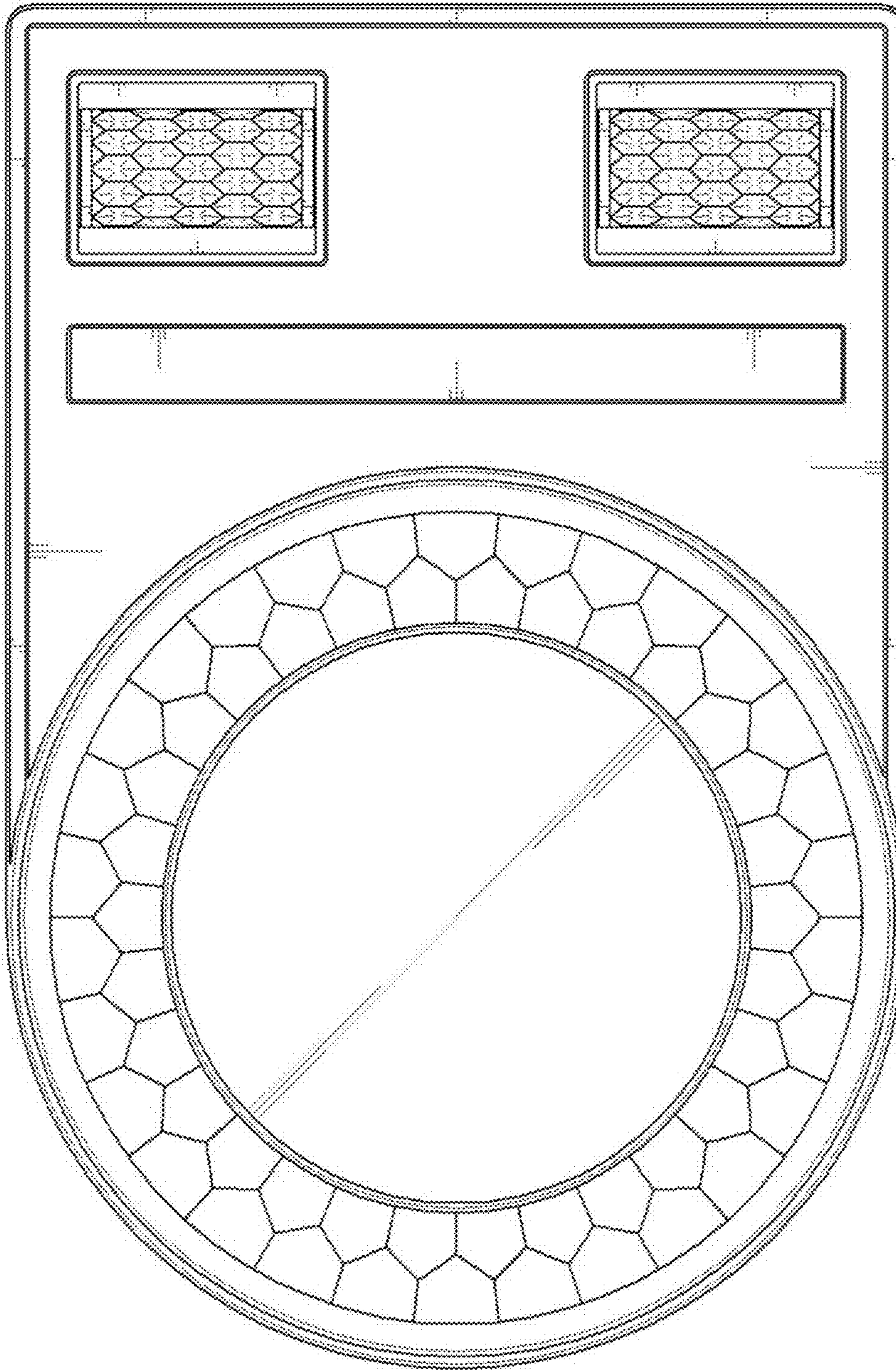
1.3



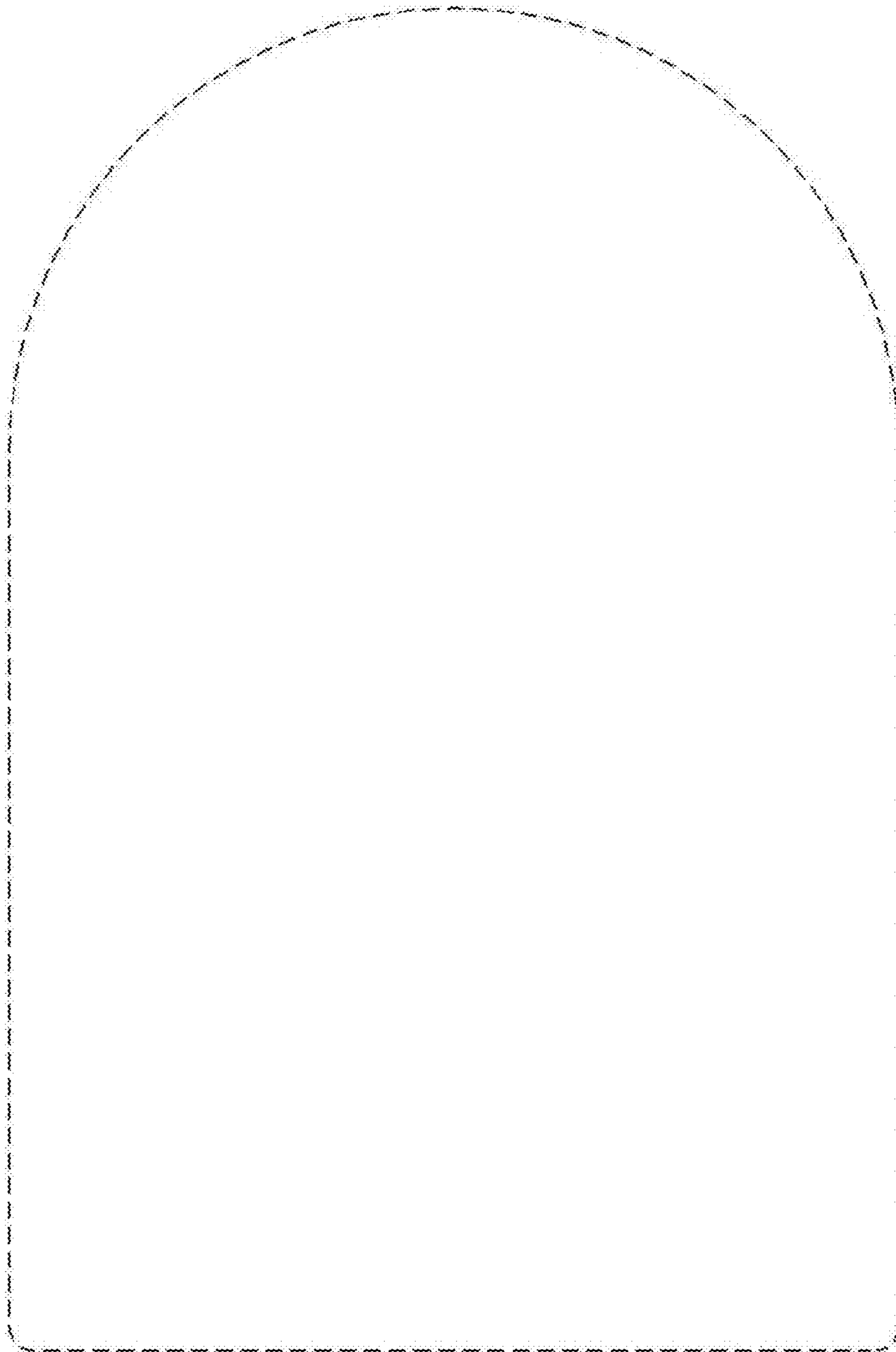
1.4



1.5



1.6



1.7

