



US00D862365S

(12) **United States Design Patent** (10) **Patent No.:** **US D862,365 S**
Kang et al. (45) **Date of Patent:** **** Oct. 8, 2019**

(54) **CENTER CONSOLE FOR AUTOMOBILE**

(71) Applicant: **LG ELECTRONICS INC.**, Seoul (KR)

(72) Inventors: **Seungmo Kang**, Seoul (KR); **Hansoo Kim**, Seoul (KR); **Seunghwan Song**, Seoul (KR)

(73) Assignee: **LG ELECTRONICS INC.**, Seoul (KR)

(**) Term: **15 Years**

(21) Appl. No.: **35/505,468**

(22) Filed: **Feb. 9, 2018**

(80) **Hague Agreement Data**

Int. Filing Date: **Feb. 9, 2018**
Int. Reg. No.: **DM/101310**
Int. Reg. Date: **Feb. 9, 2018**
Int. Reg. Pub. Date: **Aug. 10, 2018**

(30) **Foreign Application Priority Data**

Aug. 11, 2017 (KR) 30-2017-0037575

(51) **LOC (12) Cl.** **12-16**

(52) **U.S. Cl.**
USPC **D12/415**

(58) **Field of Classification Search**
USPC D12/174, 190, 192, 195, 400, 415, 416,
D12/418, 421; D14/218; D18/4.4
CPC B60K 35/00; B60R 16/02
See application file for complete search history.

(56) **References Cited**

U.S. PATENT DOCUMENTS

D364,840 S * 12/1995 Oshizawa D12/192
D532,361 S * 11/2006 Seidel D12/415
D604,216 S * 11/2009 Kraus D12/192

D628,526 S * 12/2010 Stephenson D12/192
D721,995 S * 2/2015 Johansson D12/192
D739,337 S * 9/2015 Persson D12/415
D770,968 S * 11/2016 Willis D12/415
D772,129 S * 11/2016 Ichikawa D12/192
D794,538 S * 8/2017 Ahn D12/415
D836,049 S * 12/2018 Ryu D12/192

* cited by examiner

Primary Examiner — George D. Kirschbaum

Assistant Examiner — Joseph J Kukella

(74) *Attorney, Agent, or Firm* — Birch, Stewart, Kolasch & Birch, LLP

(57) **CLAIM**

The ornamental design for a center console for automobile, as shown and described.

DESCRIPTION

1. Center console for automobile

1.1 : Perspective

1.2 : Front

1.3 : Back

1.4 : Left

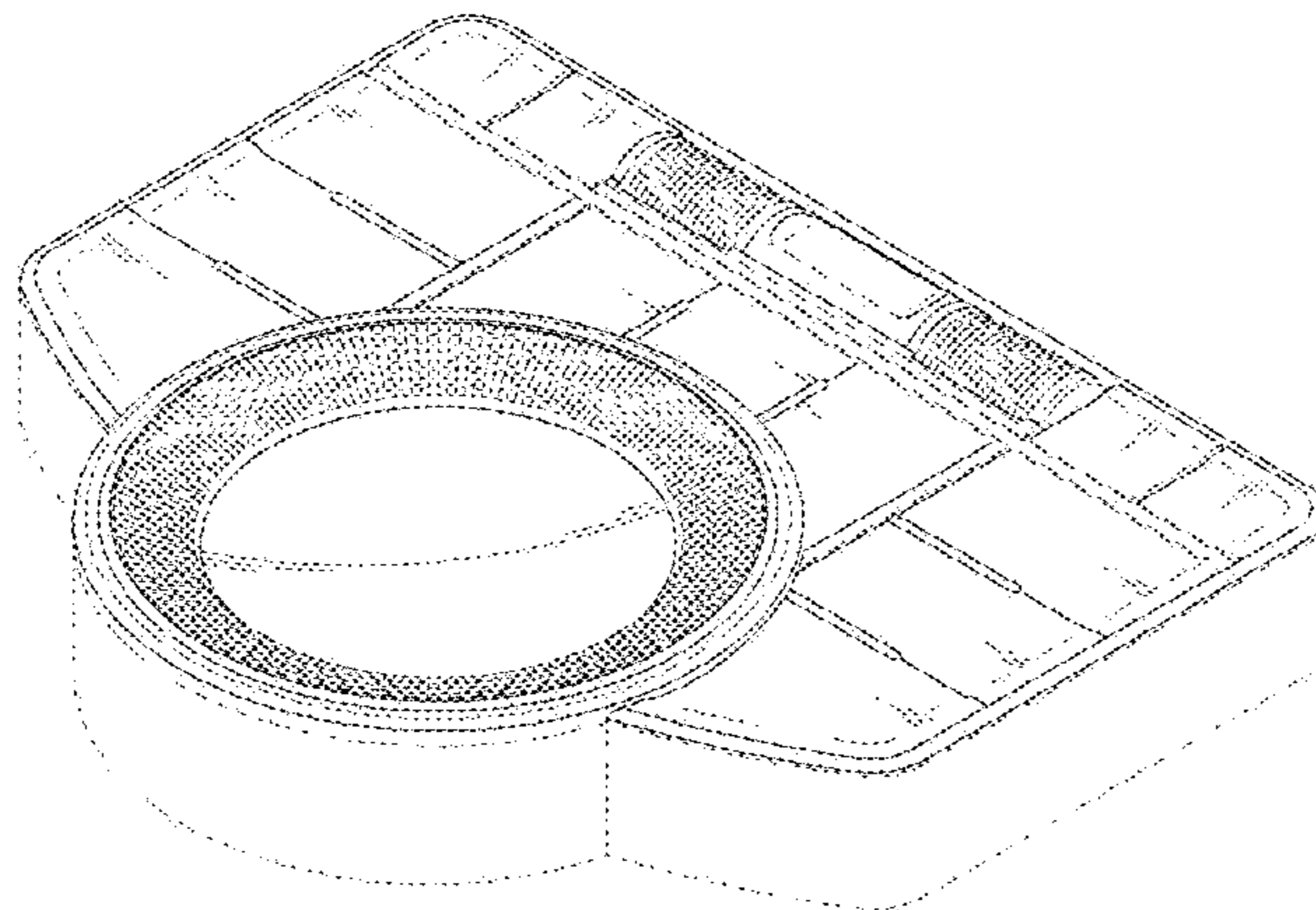
1.5 : Top

1.6 : Bottom

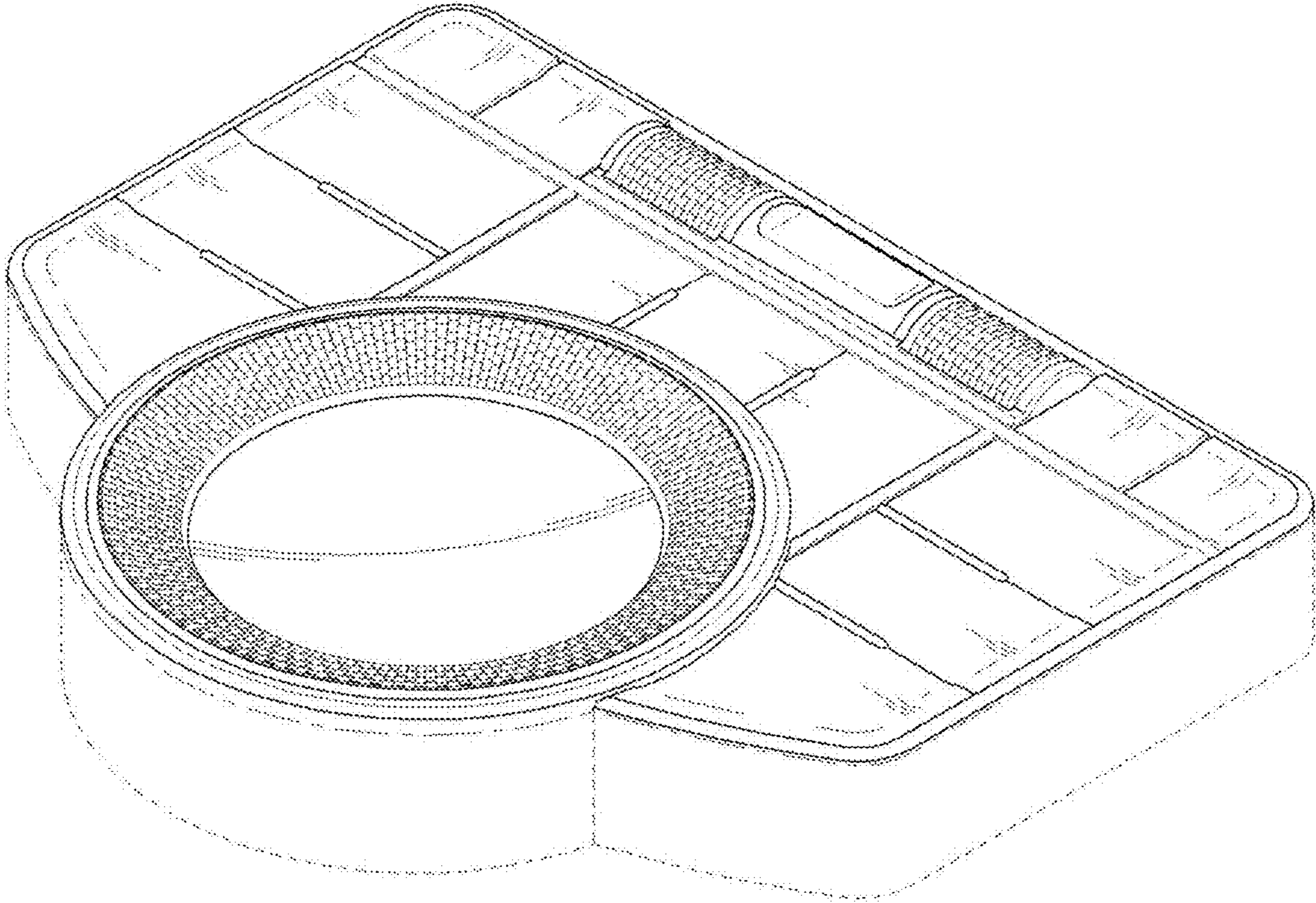
1.7 : Reference photo

The broken lines depict portions of the center console for automobile that form no part of the claimed design. The dash-dot broken lines define the boundary of the claimed design and form no part thereof. FIG. 1.7 shows the claimed design in use.

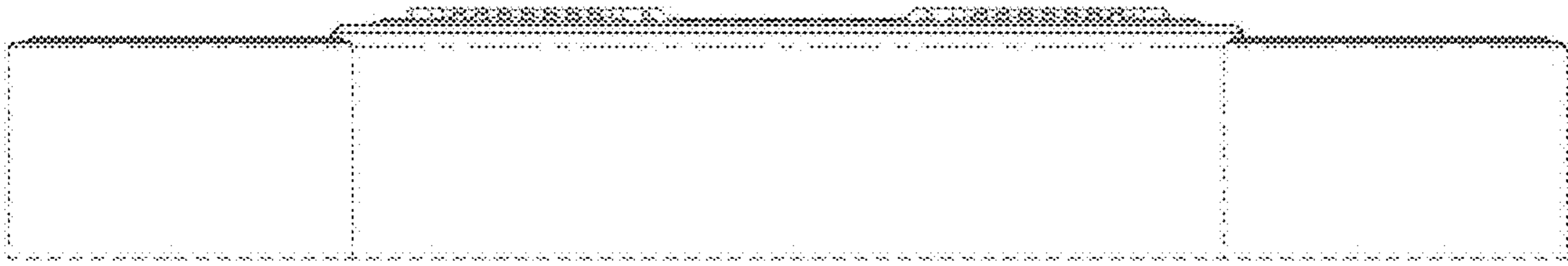
1 Claim, 7 Drawing Sheets



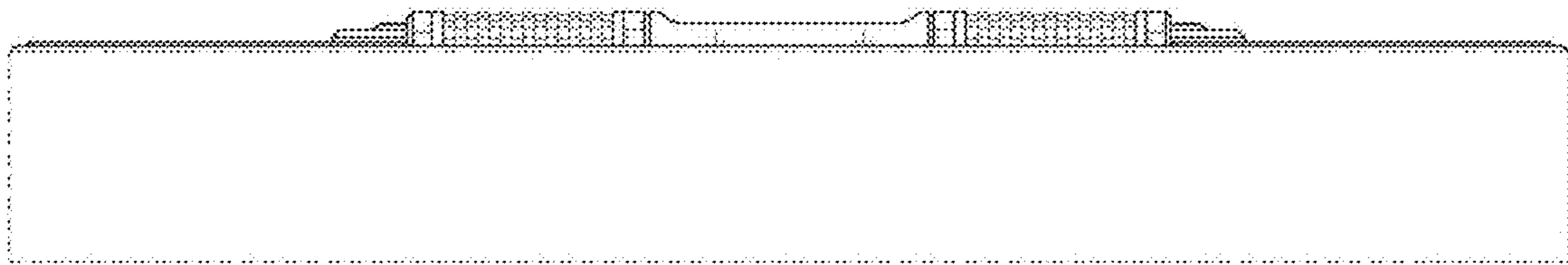
1.1



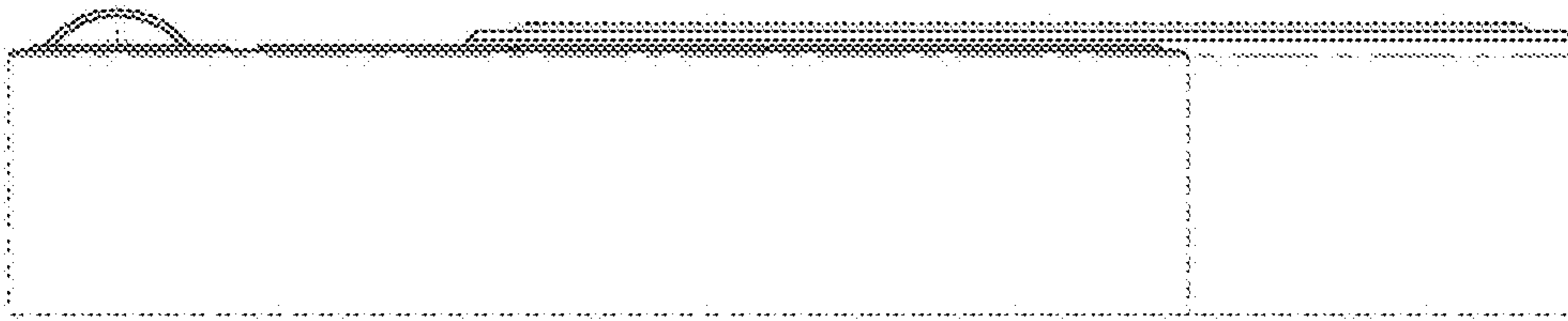
1.2



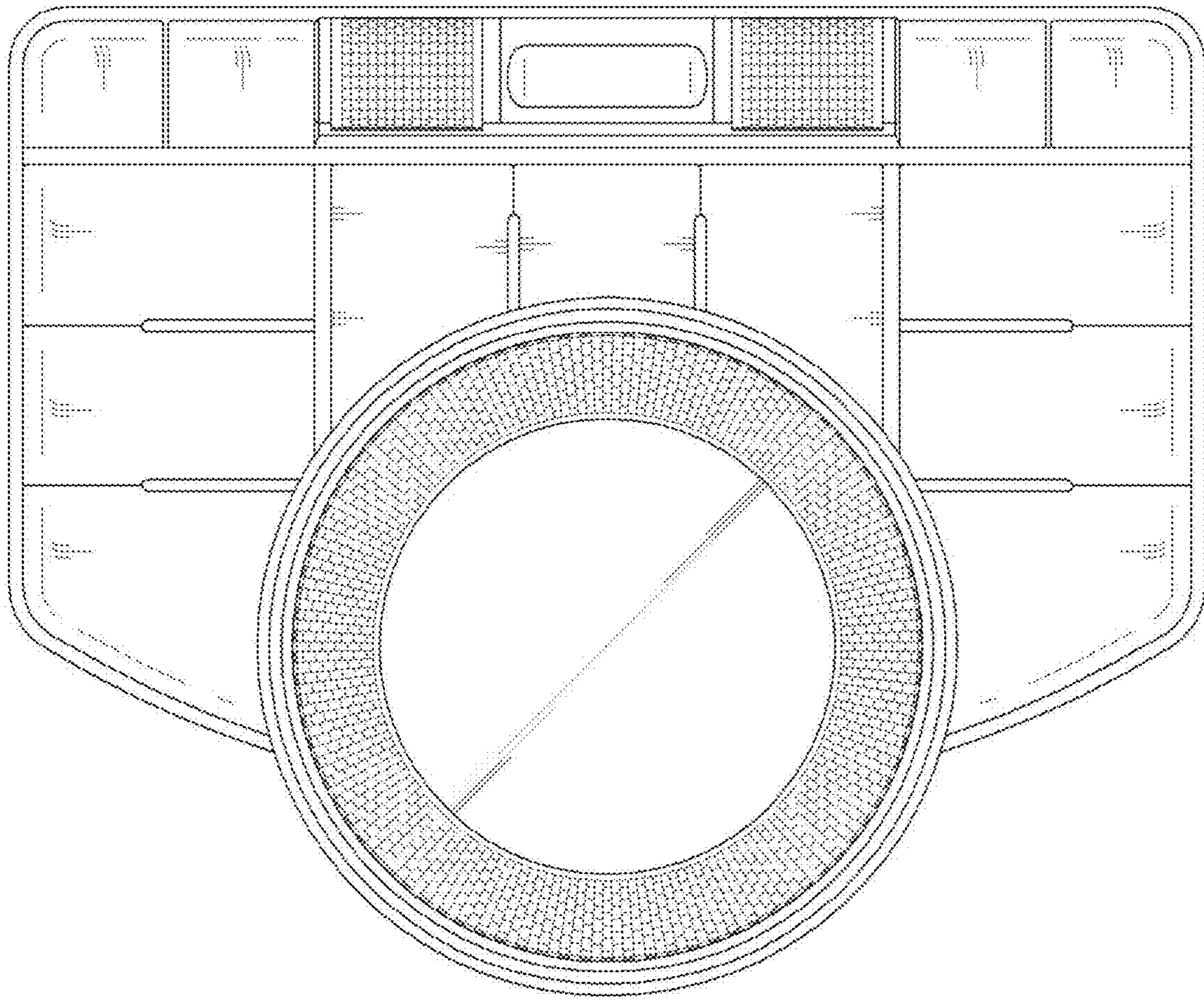
1.3



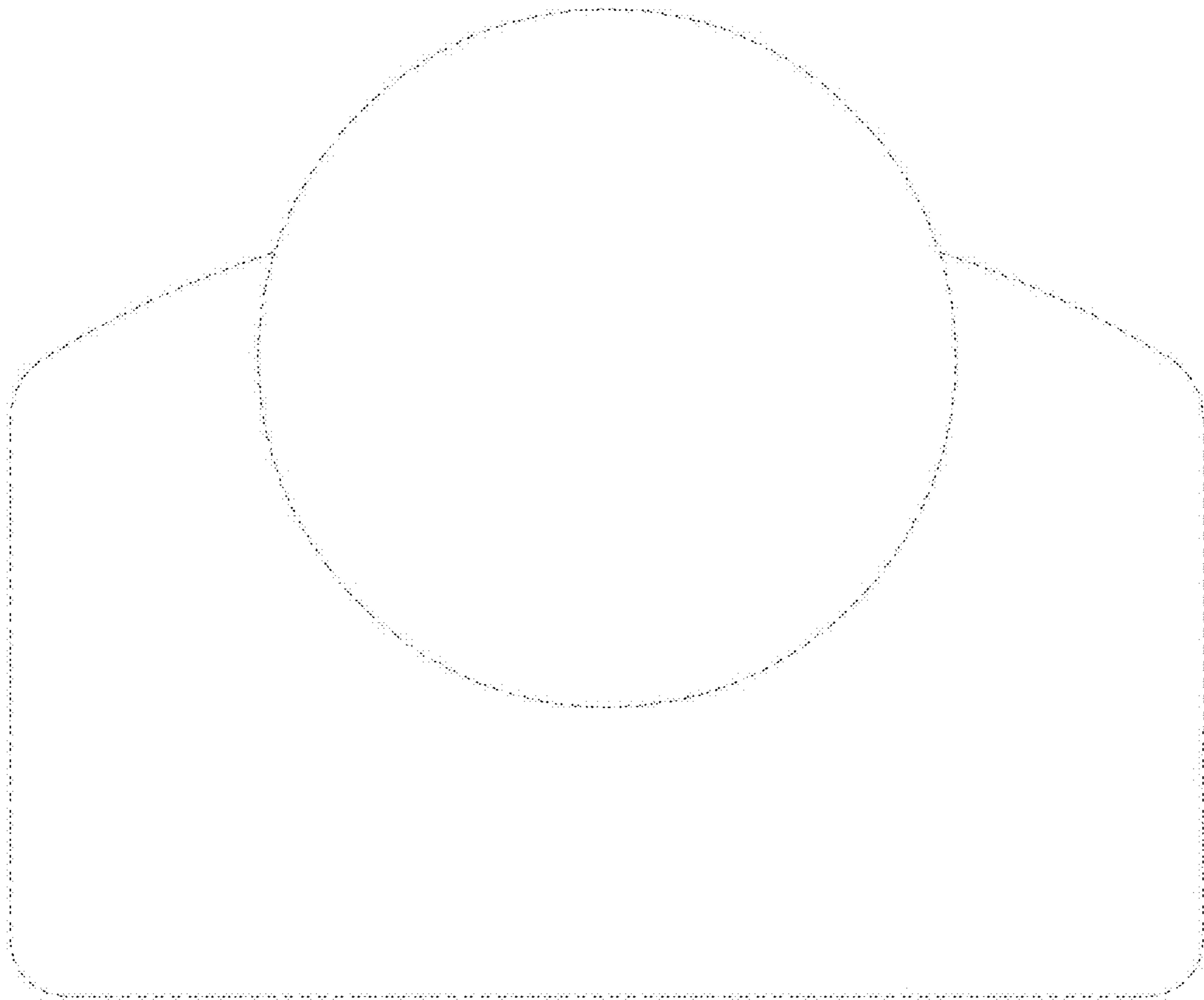
1.4



1.5



1.6



1.7

