

US00D862364S

(12) **United States Design Patent**  
**Kang et al.**

(10) **Patent No.:** **US D862,364 S**

(45) **Date of Patent:** **\*\* Oct. 8, 2019**

(54) **CENTER CONSOLE FOR AUTOMOBILE**

(71) Applicant: **LG ELECTRONICS INC.**, Seoul (KR)

(72) Inventors: **Seungmo Kang**, Seoul (KR); **Hansoo Kim**, Seoul (KR); **Seunghwan Song**, Seoul (KR); **Juneho Song**, Seoul (KR)

(73) Assignee: **LG ELECTRONICS INC.**, Seoul (KR)

(\*\*) Term: **15 Years**

(21) Appl. No.: **35/505,428**

(22) Filed: **Feb. 9, 2018**

(80) **Hague Agreement Data**

Int. Filing Date: **Feb. 9, 2018**  
Int. Reg. No.: **DM/101423**  
Int. Reg. Date: **Feb. 9, 2018**  
Int. Reg. Pub. Date: **Aug. 10, 2018**

(30) **Foreign Application Priority Data**

Aug. 11, 2017 (KR) ..... 30-2017-0037572

(51) **LOC (12) Cl.** ..... **12-16**

(52) **U.S. Cl.**  
USPC ..... **D12/415**

(58) **Field of Classification Search**  
USPC ..... D12/174, 190, 192, 195, 400, 415, 416, D12/418, 421; D14/218; D18/4.4  
CPC ..... B60K 35/00; B60R 16/02  
See application file for complete search history.

(56) **References Cited**

**U.S. PATENT DOCUMENTS**

D364,840 S \* 12/1995 Oshizawa ..... D12/192  
D532,361 S \* 11/2006 Seidel ..... D12/415  
D604,216 S \* 11/2009 Kraus ..... D12/192

D628,526 S \* 12/2010 Stephenson ..... D12/192  
D721,995 S \* 2/2015 Johansson ..... D12/192  
D739,337 S \* 9/2015 Persson ..... D12/415  
D770,968 S \* 11/2016 Willis ..... D12/415  
D772,129 S \* 11/2016 Ichikawa ..... D12/192  
D794,538 S \* 8/2017 Ahn ..... D12/415  
D836,049 S \* 12/2018 Ryu ..... D12/192

\* cited by examiner

*Primary Examiner* — George D. Kirschbaum

*Assistant Examiner* — Joseph J Kukella

(74) *Attorney, Agent, or Firm* — Birch, Stewart, Kolasch & Birch, LLP

(57) **CLAIM**

The ornamental design for a center console for automobile, as shown and described.

**DESCRIPTION**

1. Center console for automobile

1.1 : Perspective

1.2 : Front

1.3 : Back

1.4 : Left

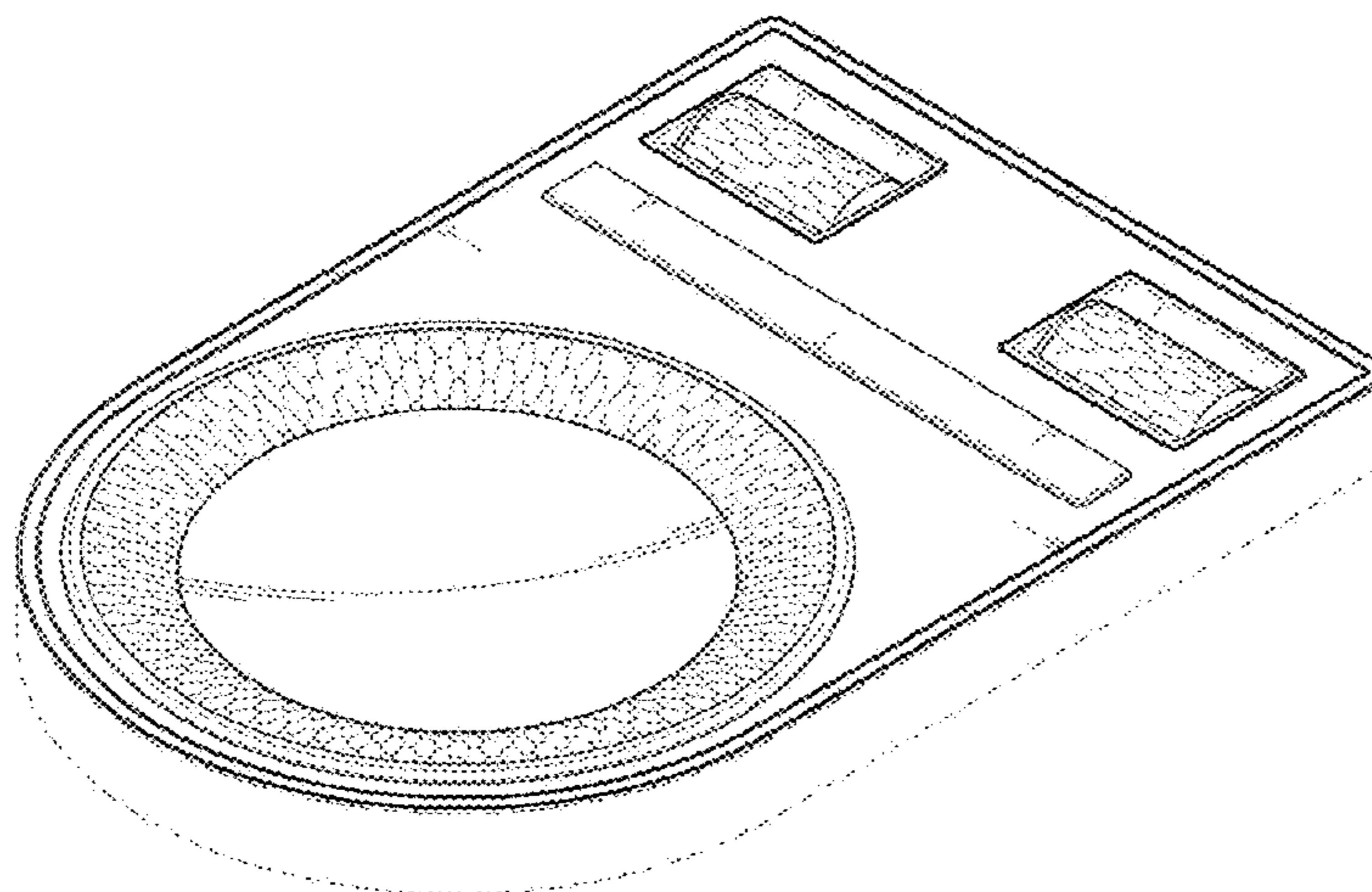
1.5 : Top

1.6 : Bottom

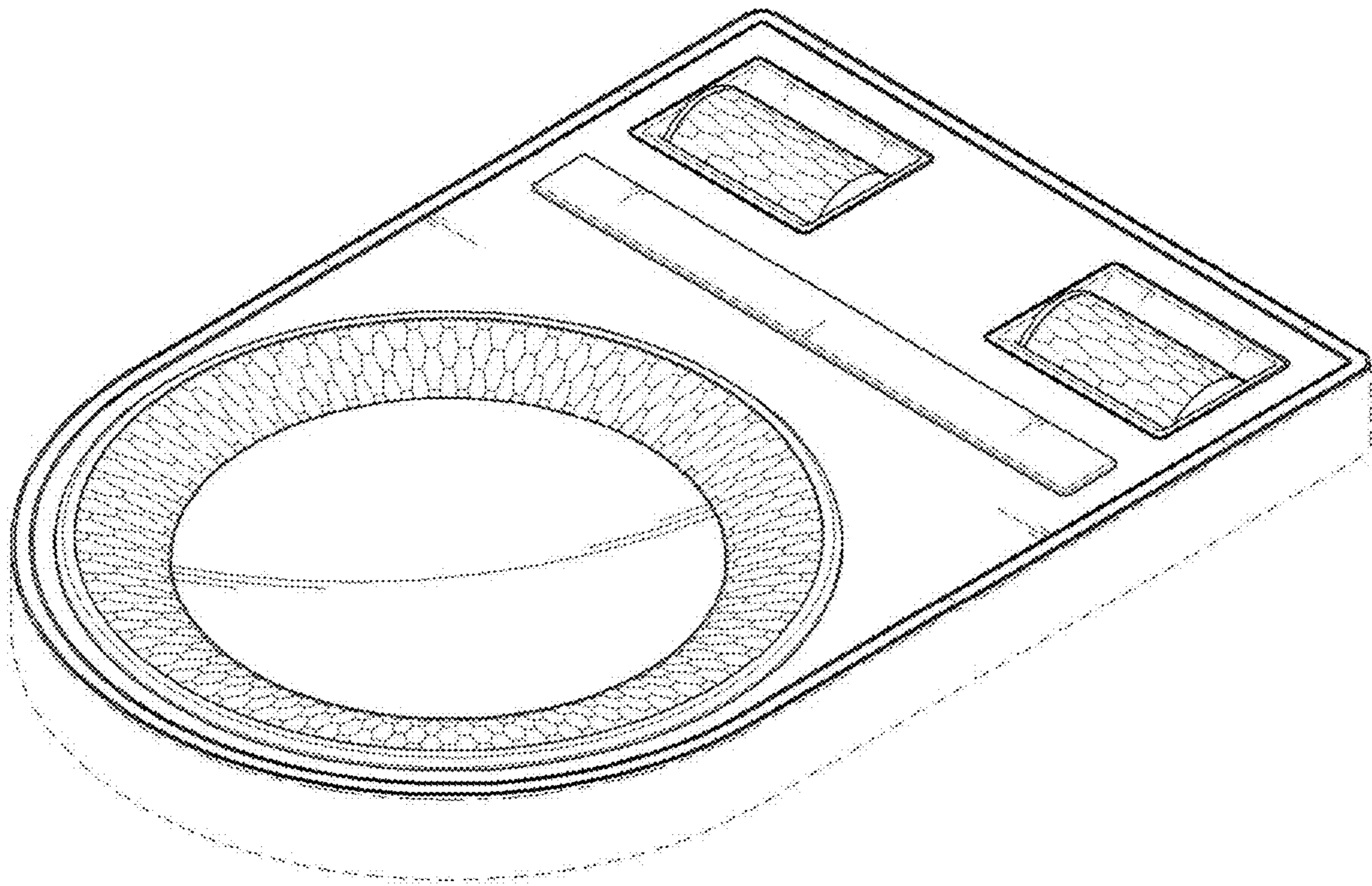
1.7 : Reference photo

The broken lines depict portions of the center console for automobile that form no part of the claimed design. The dash-dot broken lines define the boundary of the claimed design and form no part thereof. Fig. 1.7 shows the claimed design in use.

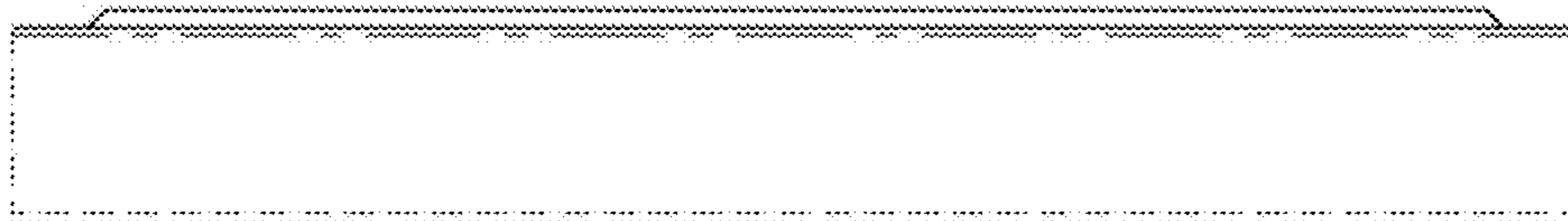
**1 Claim, 7 Drawing Sheets**



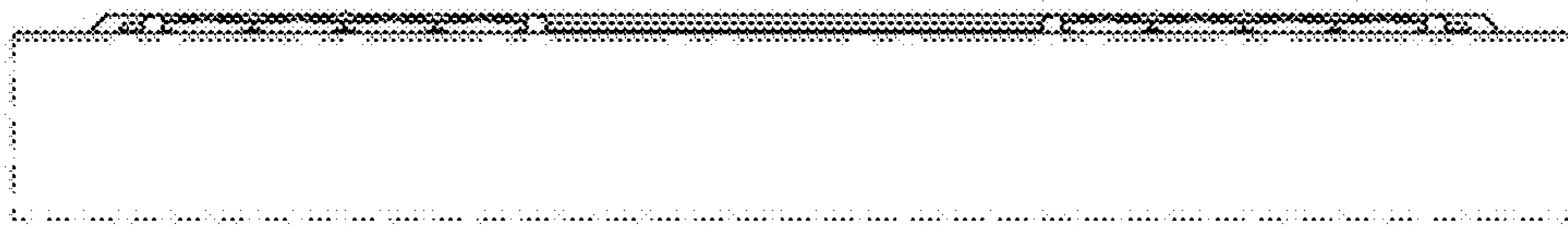
1.1



**1.2**



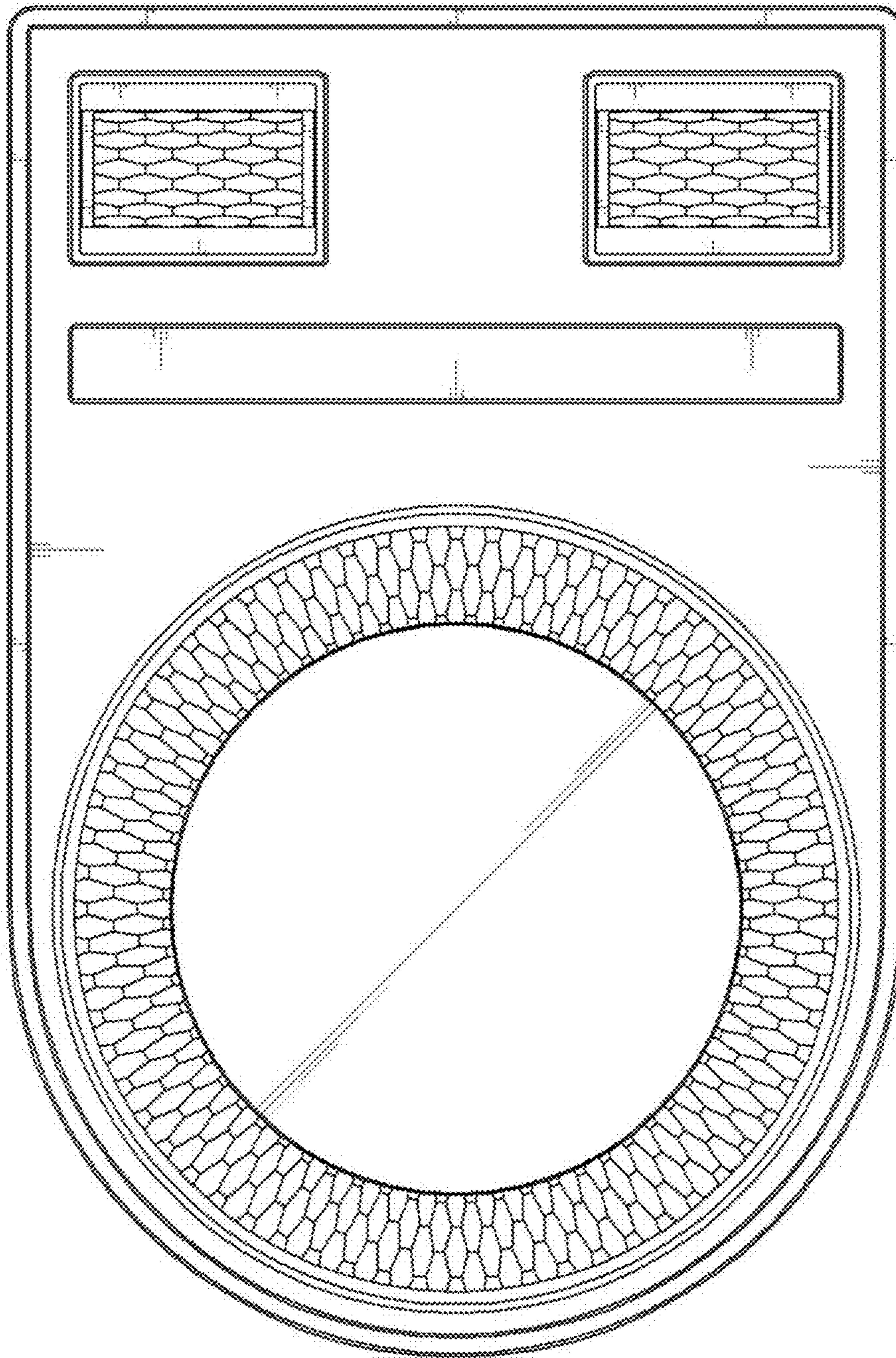
1.3



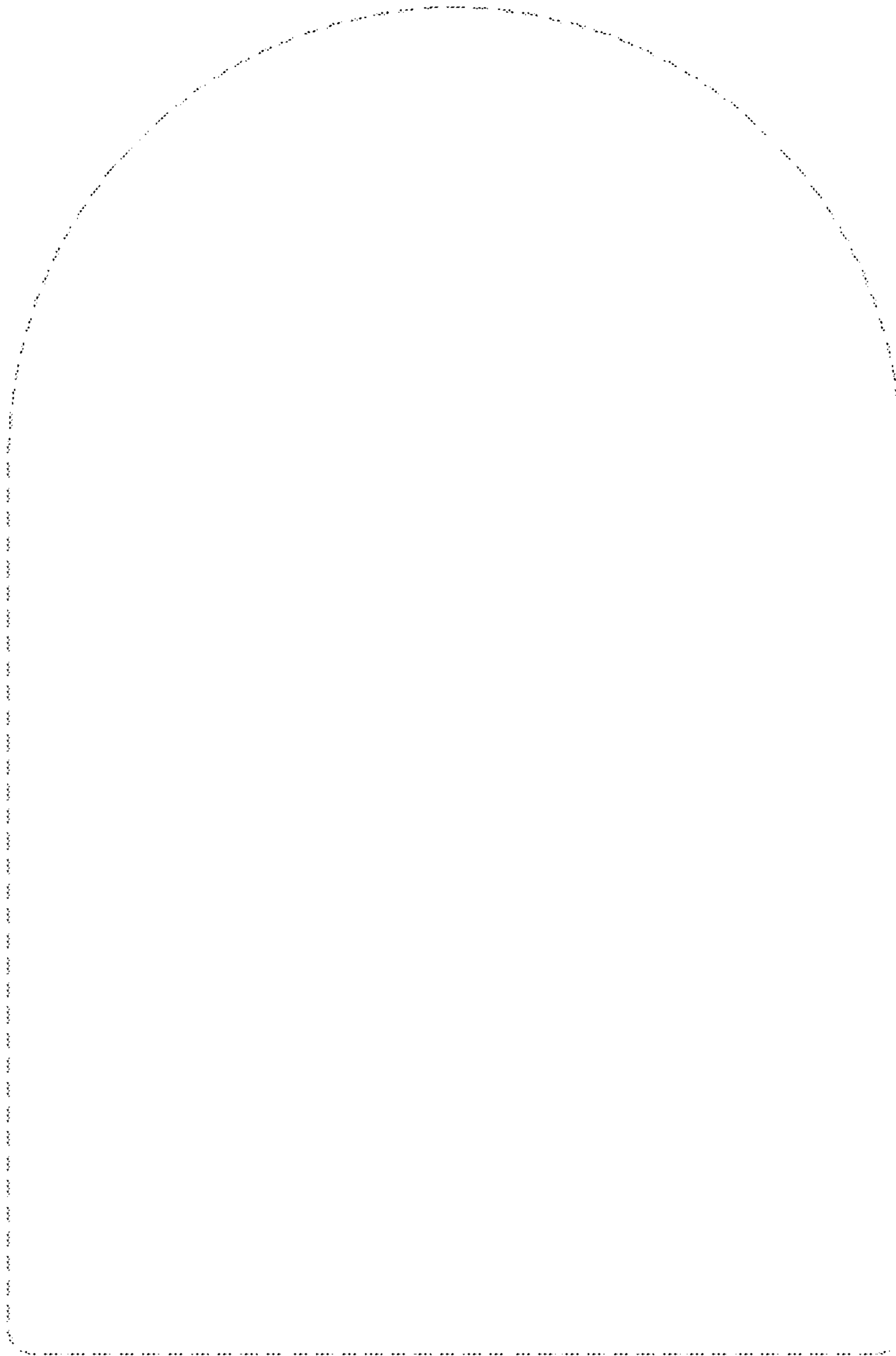
1.4



1.5



1.6



1.7

