



US00D862361S

(12) **United States Design Patent**  
**Corning**

(10) **Patent No.:** **US D862,361 S**  
(45) **Date of Patent:** **\*\* Oct. 8, 2019**

(54) **DUCTED FAN FLYING MACHINE**  
(71) Applicant: **FanFlyer Inc.**, Las Vegas, NV (US)  
(72) Inventor: **James Corning**, Flagstaff, AZ (US)  
(73) Assignee: **FanFlyer Inc.**, Las Vegas, NV (US)  
(\*\*) Term: **15 Years**

8,016,226 B1 \* 9/2011 Wood ..... B64C 29/0033  
244/12.4  
8,128,019 B2 \* 3/2012 Annati ..... B64C 27/20  
244/12.3  
8,214,088 B2 \* 7/2012 Lefebure ..... A63H 27/12  
244/189

(Continued)

(21) Appl. No.: **29/644,259**  
(22) Filed: **Apr. 16, 2018**  
(51) **LOC (12) Cl.** ..... **12-07**  
(52) **U.S. Cl.**  
USPC ..... **D12/330**  
(58) **Field of Classification Search**  
USPC ..... D12/319-345, 1-4, 16.1, 214;  
D21/436-454; D30/160  
CPC ..... B64C 29/0025; B64C 2201/108; B64C  
2201/048; B64C 2201/088; B64C 29/00;  
B64C 29/0058; B64C 39/001; B64C  
39/024; B64C 39/062; B64C 2201/141;  
B64C 27/12  
See application file for complete search history.

**OTHER PUBLICATIONS**

FanFlyer, Inc. FanFlyer by Electric VTOL News. dated Nov. 27,  
2018. found online [Mar. 14, 2019] <http://evtol.news/aircraft/fanflyer/>.  
\*

*Primary Examiner* — Marissa J Cash  
(74) *Attorney, Agent, or Firm* — Atesa Legal PLLC

(57) **CLAIM**

The ornamental design for a ducted fan flying machine, as  
shown and described.

**DESCRIPTION**

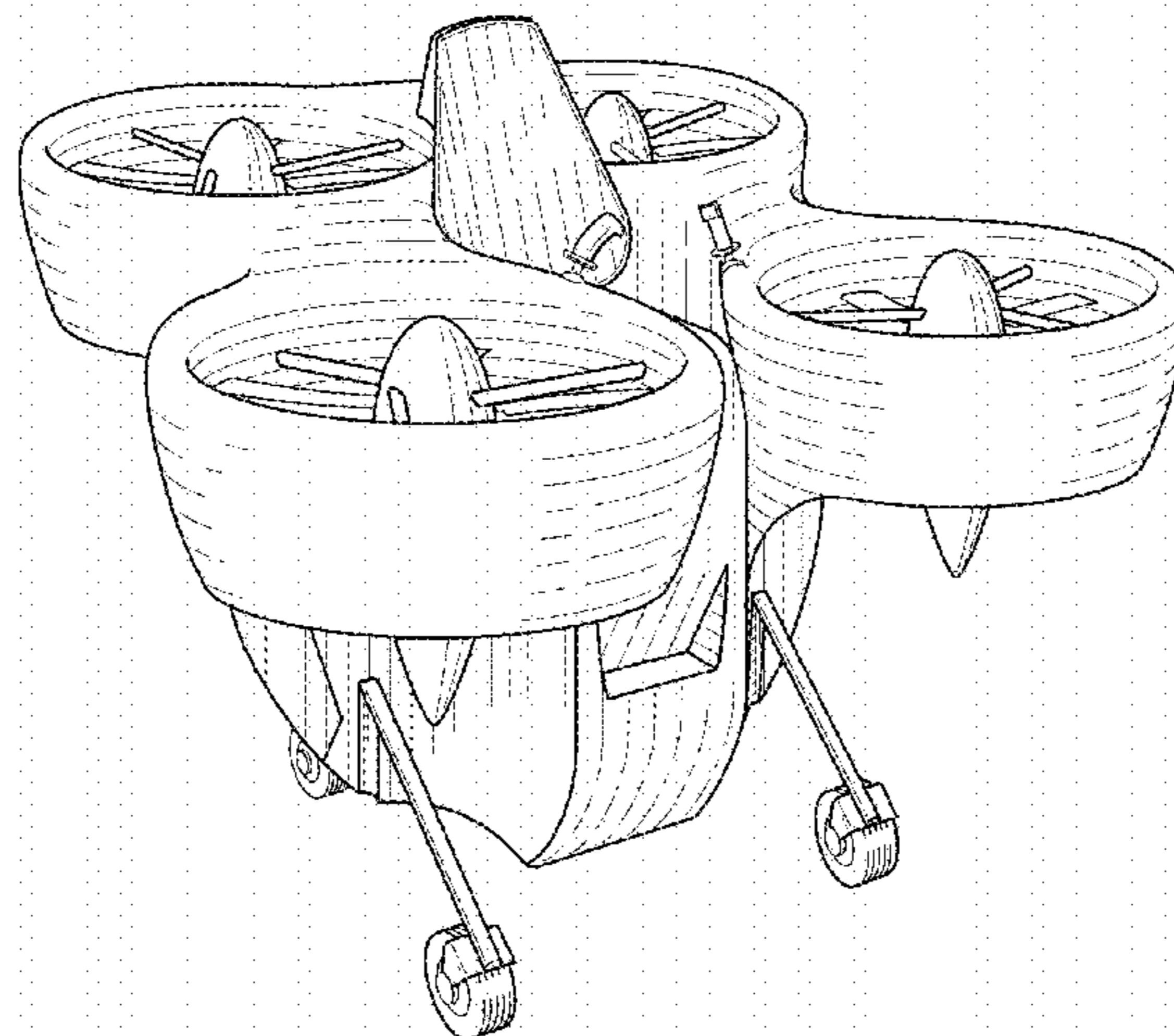
FIG. 1 is a front perspective view of a ducted fan flying  
machine, showing my new design;  
FIG. 2 is a left side view thereof;  
FIG. 3 is a right side view thereof;  
FIG. 4 is a top view thereof;  
FIG. 5 is a front view thereof;  
FIG. 6 is a bottom view thereof;  
FIG. 7 is a rear view thereof;  
FIG. 8 is a left side view of the ducted fan flying machine  
showing an alternate position of a landing gear, a rear rudder  
and a left side eleven;  
FIG. 9 is a bottom view thereof, showing the alternate  
position of the landing gear, the rear rudder and the left side  
eleven;  
FIG. 10 is a front view thereof, showing the alternate  
position of the landing gear and the left side eleven; and,  
FIG. 11 is a rear view thereof, showing the alternate position  
of the landing gear, the rear rudder and the left side eleven.

(56) **References Cited**

**U.S. PATENT DOCUMENTS**

D139,424 S \* 11/1944 Bates ..... 244/17.11  
D177,564 S \* 5/1956 Freeland ..... D12/325  
D189,462 S \* 12/1960 Vogt ..... D12/329  
2,966,318 A \* 12/1960 Chodan ..... B64C 29/0016  
244/17.23  
4,161,843 A \* 7/1979 Hui ..... A63H 27/12  
244/17.23  
D292,194 S \* 10/1987 Moller ..... D12/325  
D438,914 S \* 3/2001 O'Rourke ..... D21/452  
6,488,232 B2 \* 12/2002 Moshier ..... B64C 39/026  
244/4 A  
6,604,706 B1 \* 8/2003 Bostan ..... B64C 17/06  
244/17.11  
D496,900 S \* 10/2004 Bulaga ..... D12/319

**1 Claim, 6 Drawing Sheets**



(56)

References Cited

U.S. PATENT DOCUMENTS

8,240,597 B2 *	8/2012	Entsminger	.....	B64C 27/20	2003/0085319 A1 *	5/2003	Wagner	.....	B64C 3/56
				244/23 C					244/12.3
8,387,911 B2 *	3/2013	Collette	.....	B64C 27/20	2006/0049304 A1 *	3/2006	Sanders, Jr.	.....	B64C 27/12
				244/12.2					244/23 A
8,511,602 B2 *	8/2013	Campbell	.....	B64C 27/20	2006/0192047 A1 *	8/2006	Goossen	.....	B64C 27/20
				244/175					244/17.23
8,752,788 B2 *	6/2014	Tuval	.....	B64C 3/32	2006/0226281 A1 *	10/2006	Walton	.....	B64C 27/20
				244/34 A					244/17.23
D708,272 S *	7/2014	Schmelter	.....	D12/16.1	2007/0105474 A1 *	5/2007	Gotou	.....	A63H 27/02
8,820,672 B2 *	9/2014	Erben	.....	B64C 39/024					446/37
				244/1 R	2008/0048065 A1 *	2/2008	Kuntz	.....	A63H 17/00
9,061,558 B2 *	6/2015	Kalantari	.....	A63H 27/12					244/17.23
9,132,915 B2 *	9/2015	Zhu	.....	B64C 29/0025	2009/0050750 A1 *	2/2009	Goossen	.....	B64C 39/024
9,387,927 B2 *	7/2016	Rischmuller	.....	B64C 39/024					244/76 R
9,422,139 B1 *	8/2016	Bialkowski	.....	B64C 39/024	2011/0084162 A1 *	4/2011	Goossen	.....	B64C 39/024
9,852,644 B2 *	12/2017	Salnikov	.....	A01B 79/02					244/12.1
9,902,493 B2 *	2/2018	Simon	.....	B64C 29/0025	2012/0241555 A1 *	9/2012	Savoie	.....	A63H 27/12
9,927,682 B2 *	3/2018	Fisher	.....	G03B 15/006					244/54
9,950,789 B2 *	4/2018	Tsunekawa	.....	B64C 27/20	2015/0175258 A1 *	6/2015	Lee	.....	B64C 27/08
9,963,227 B2 *	5/2018	Tsunekawa	.....	B64C 29/0033					244/17.23
10,086,309 B2 *	10/2018	Yamada	.....	A63H 27/12	2016/0068261 A1 *	3/2016	Niederberger	.....	B64C 39/024
									244/2
					2017/0073070 A1 *	3/2017	Xing	.....	B64C 39/024
					2017/0113816 A1 *	4/2017	High	.....	B64C 39/022
					2017/0277187 A1 *	9/2017	Refai	.....	G06T 7/30

\* cited by examiner

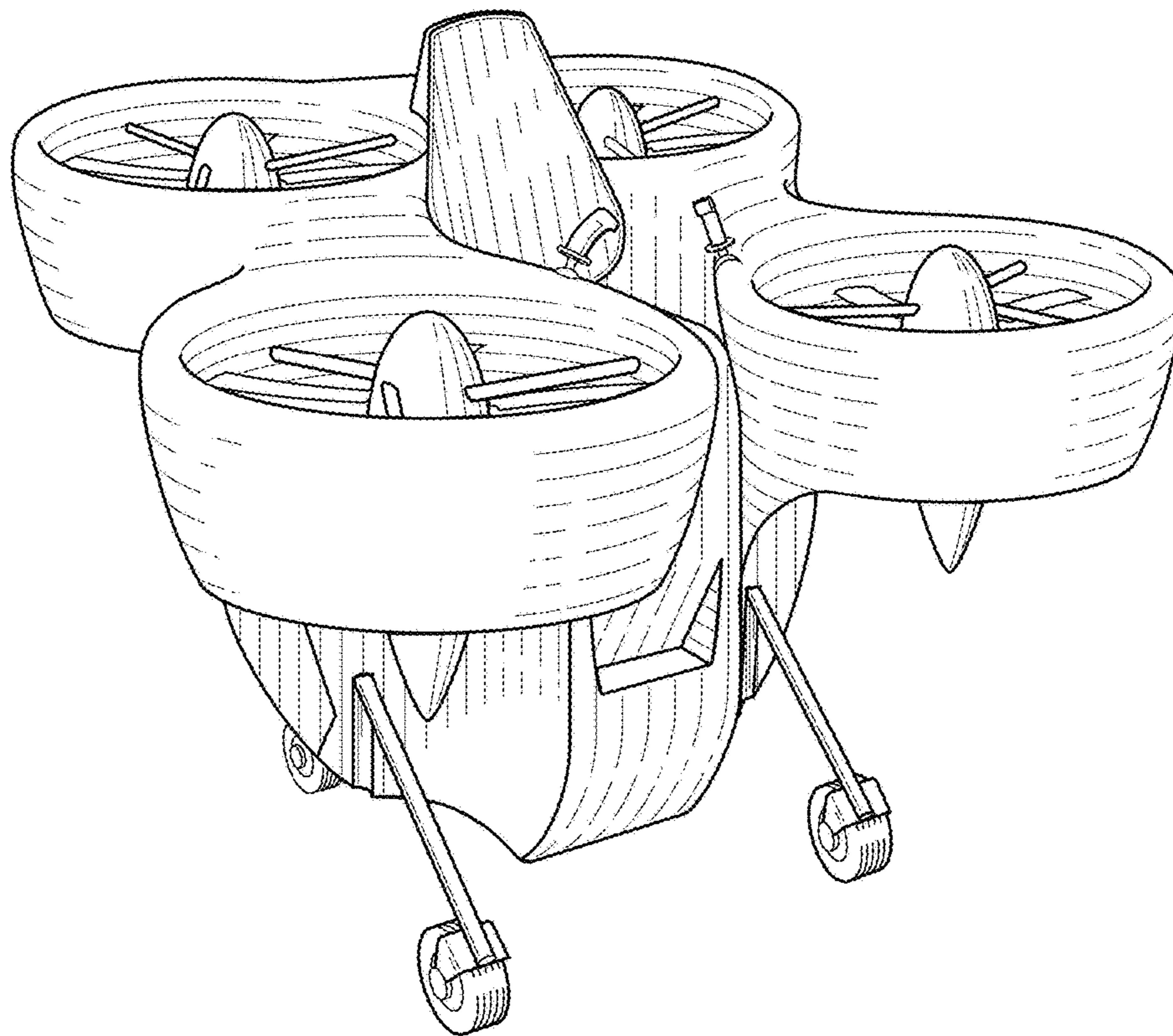


FIG. 1

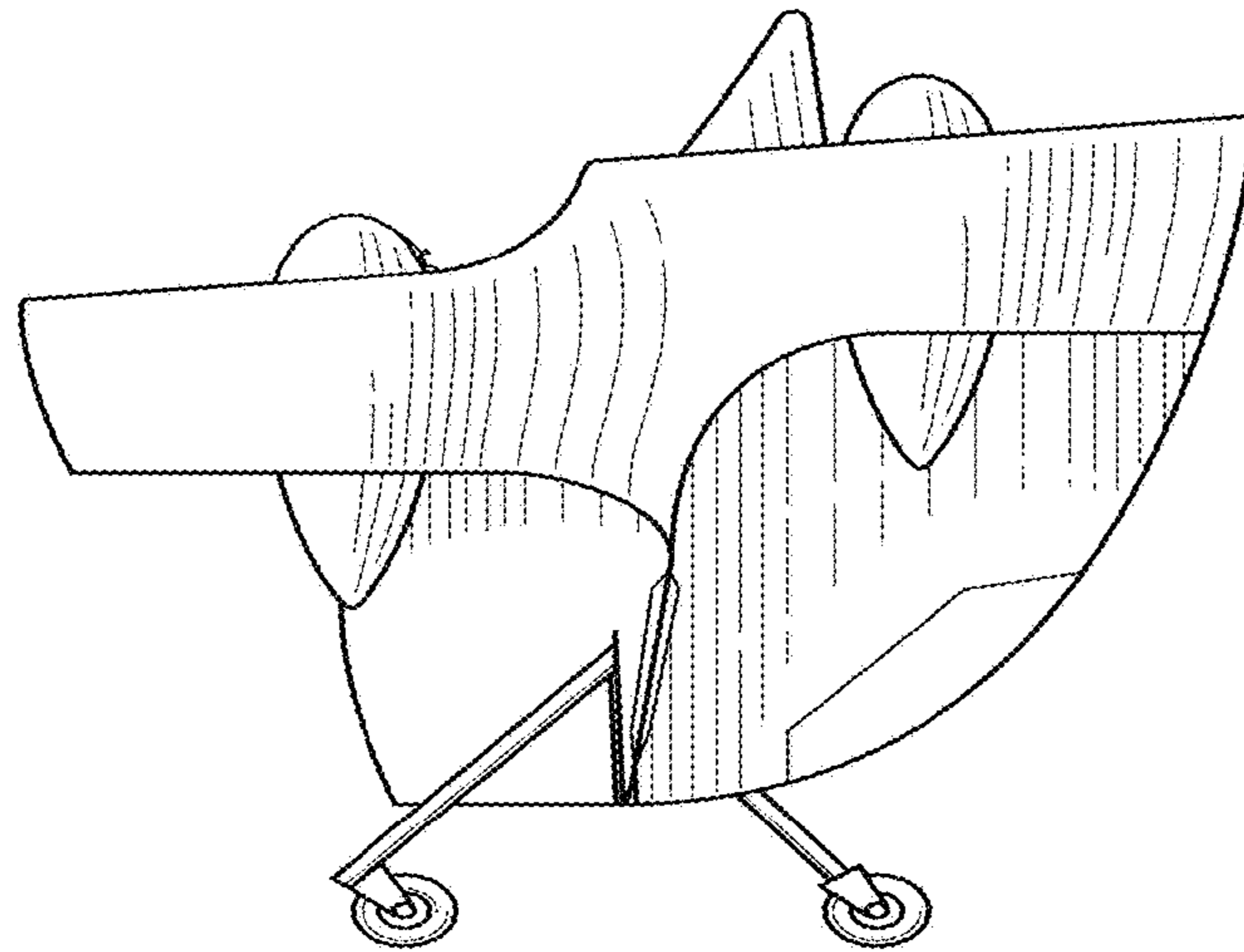


FIG. 2

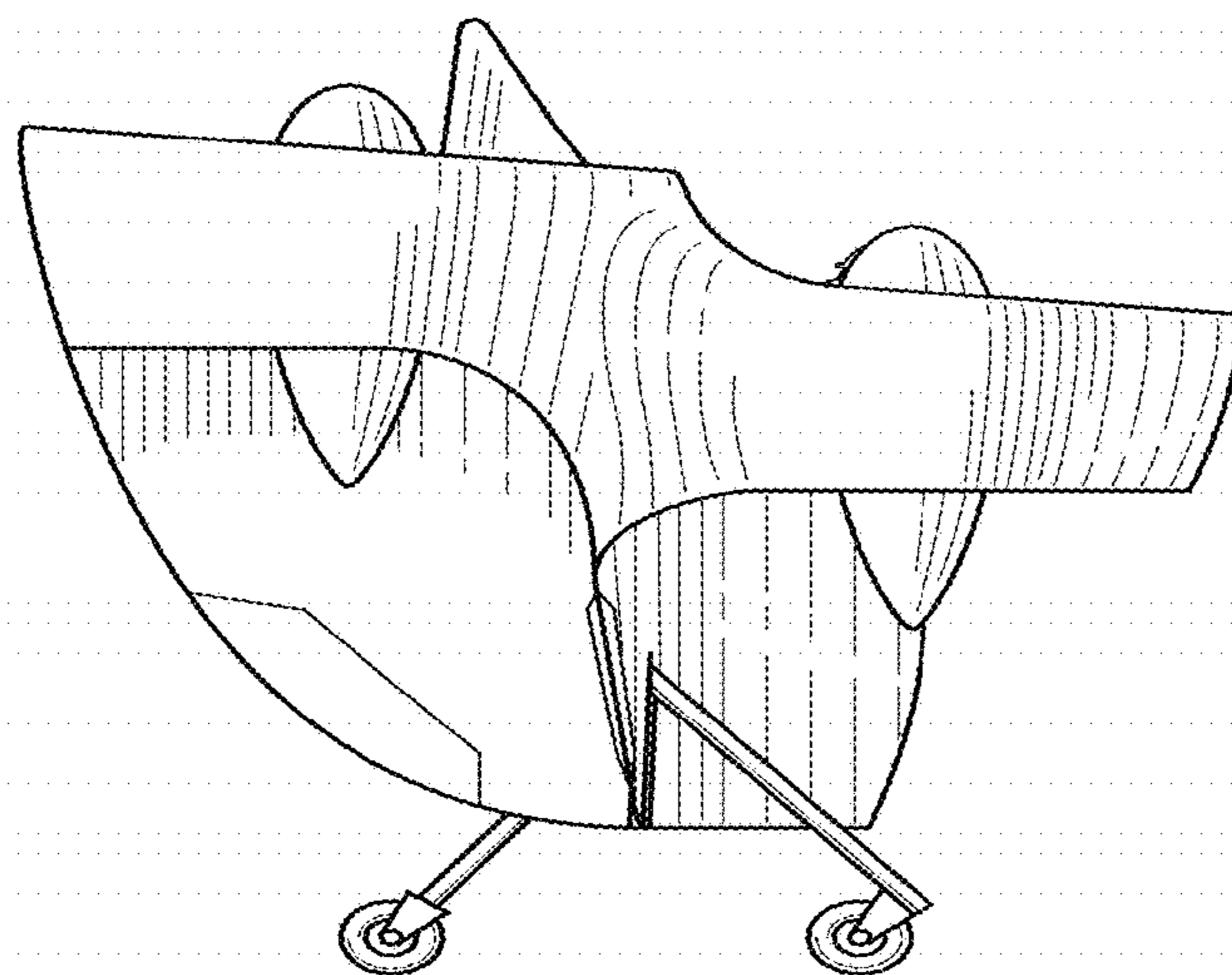


FIG. 3

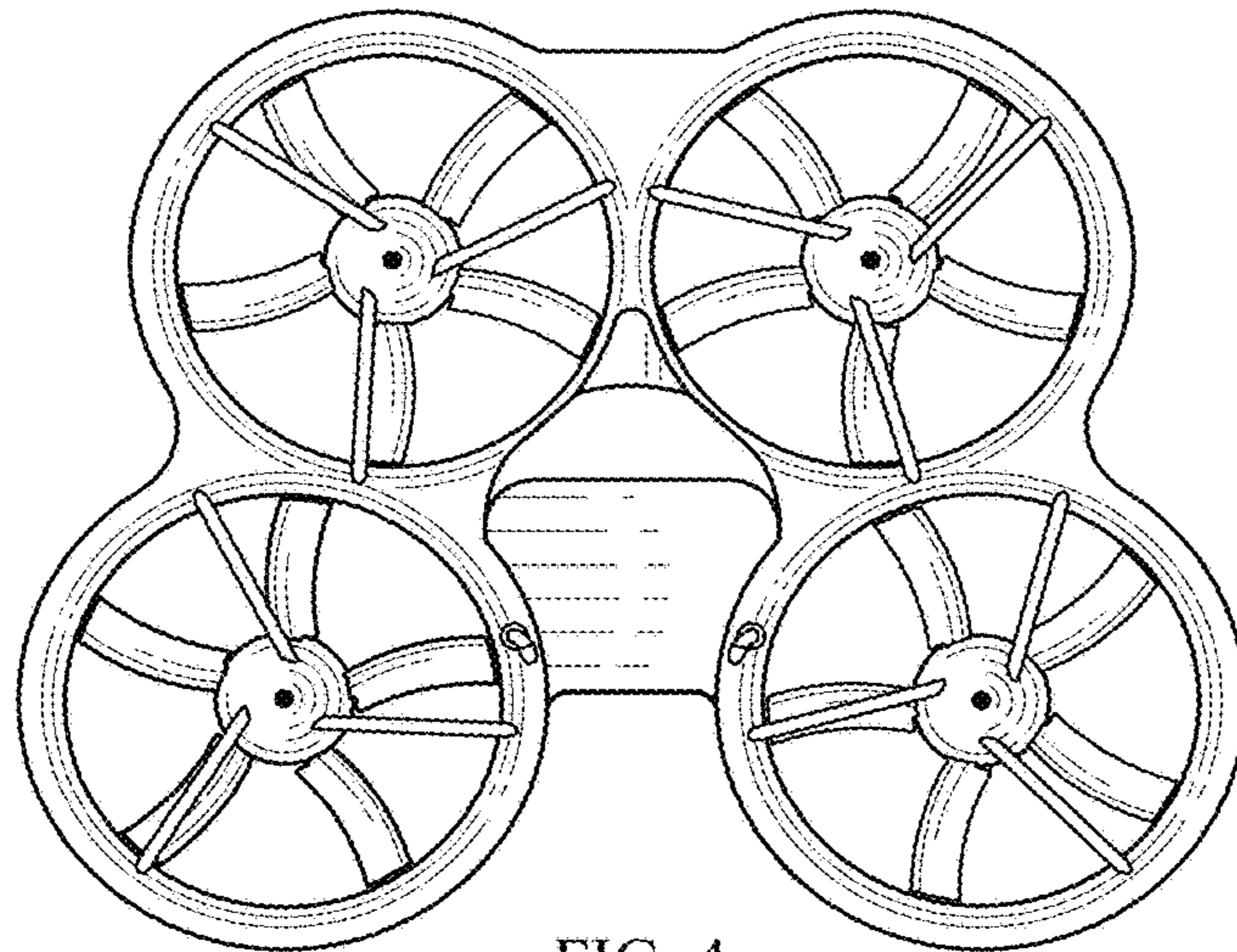


FIG. 4

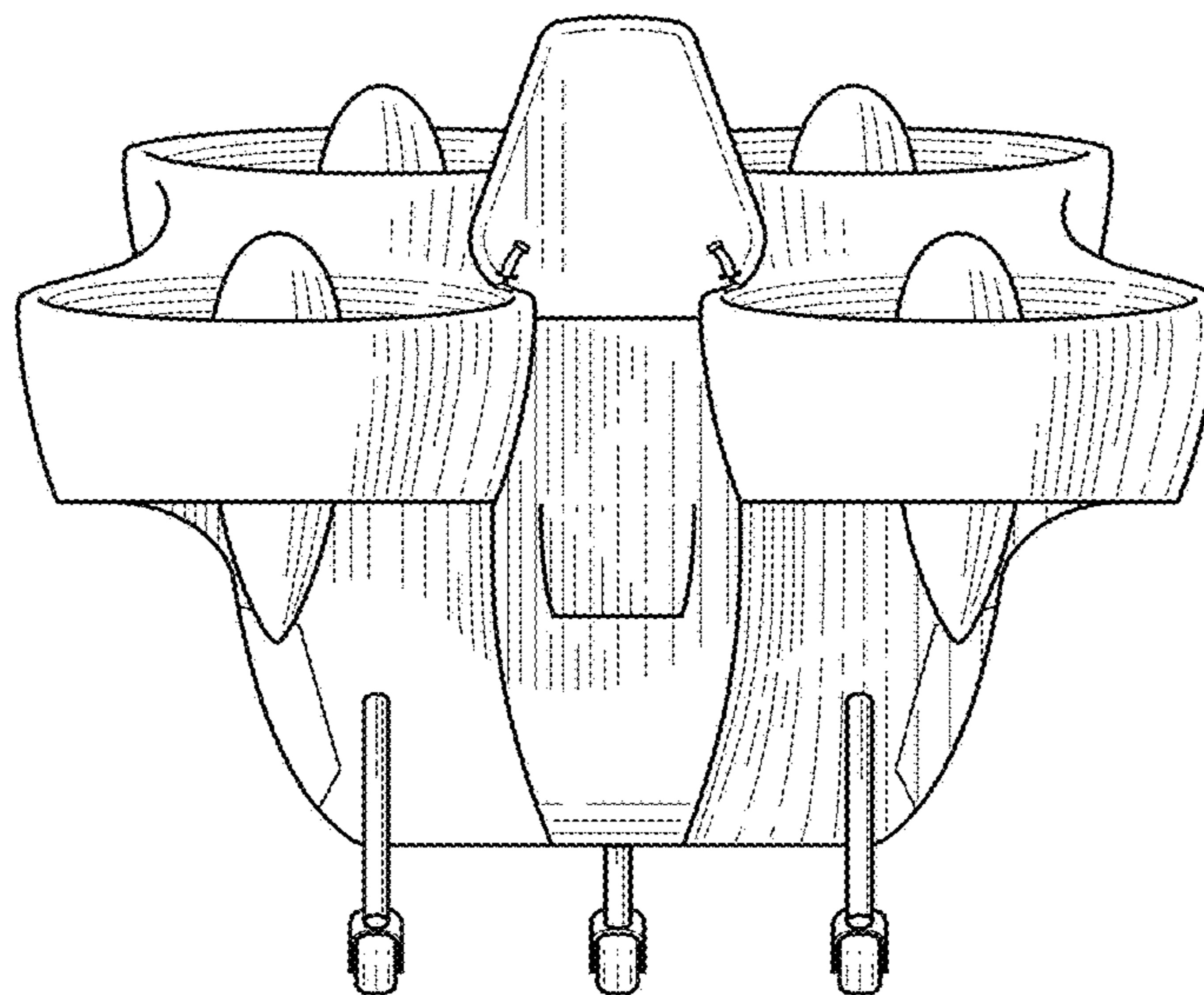


FIG. 5

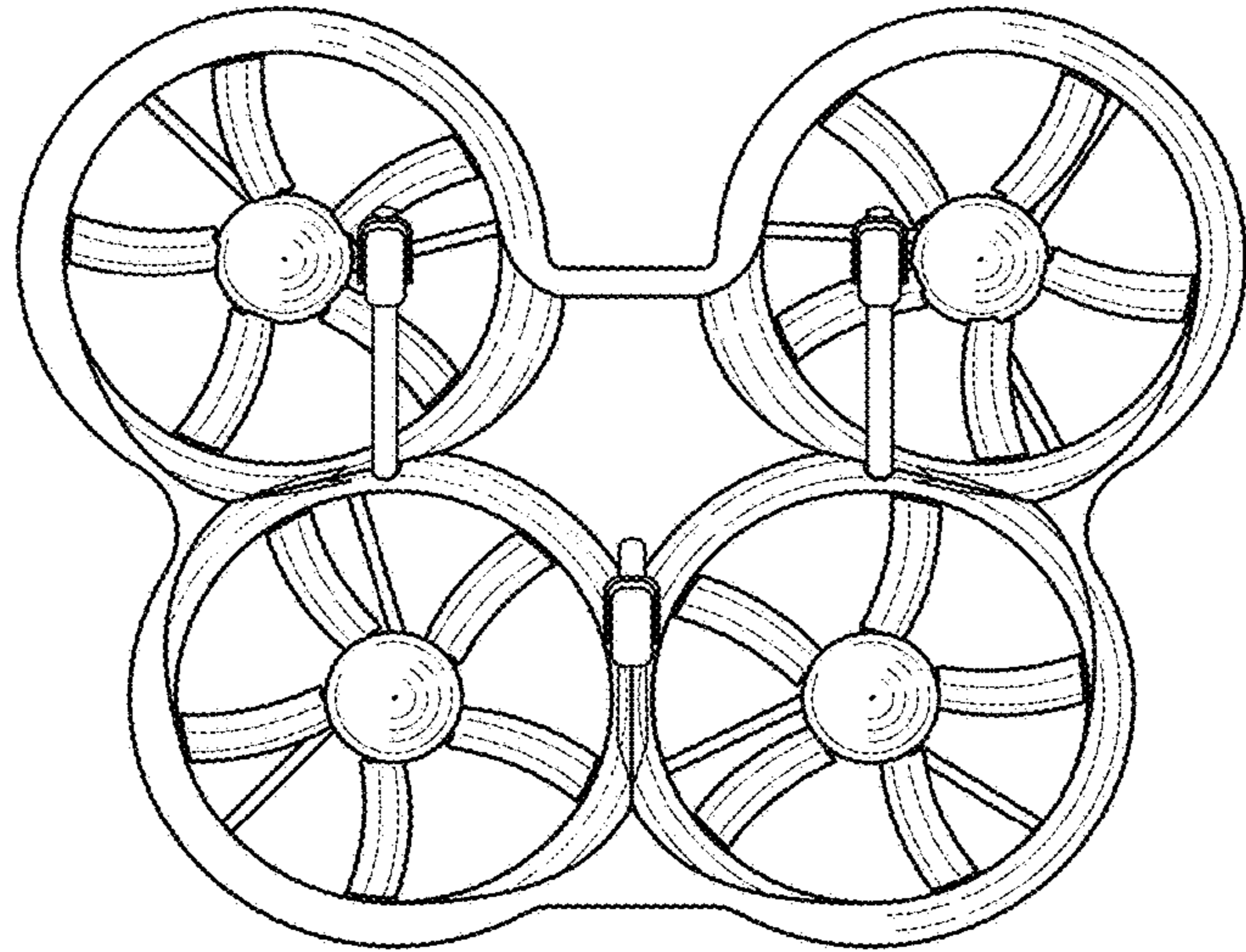


FIG. 6

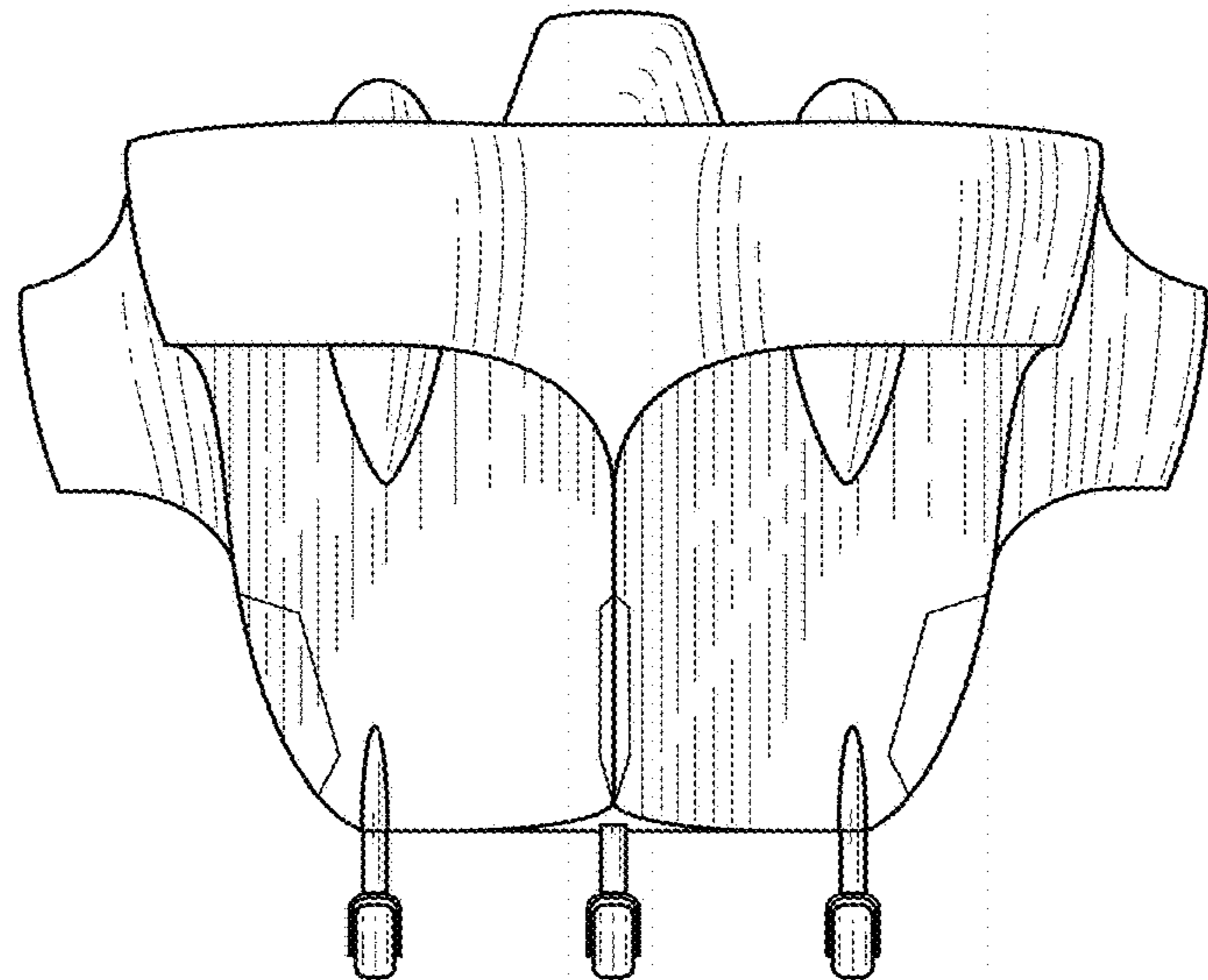


FIG. 7

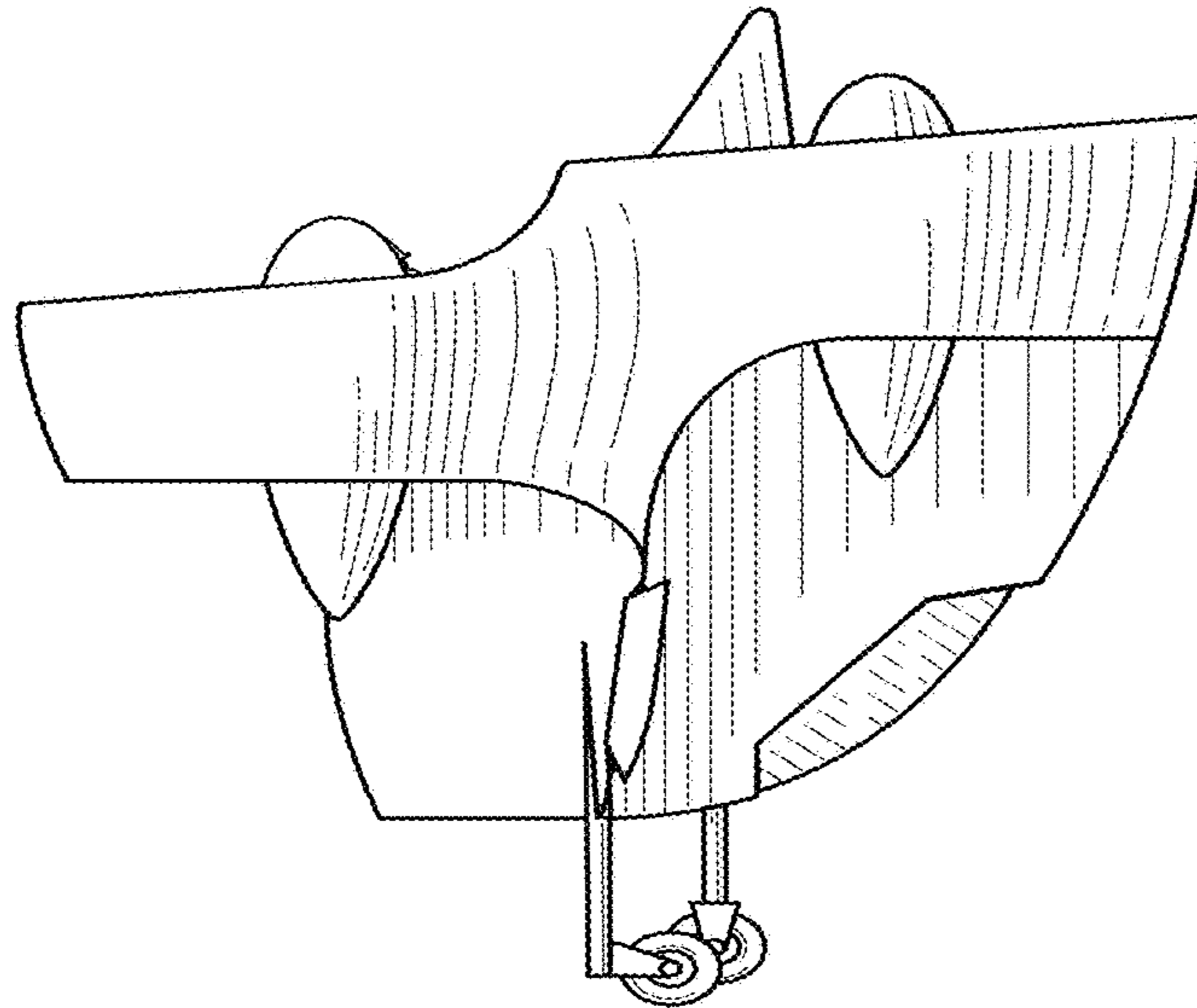


FIG. 8

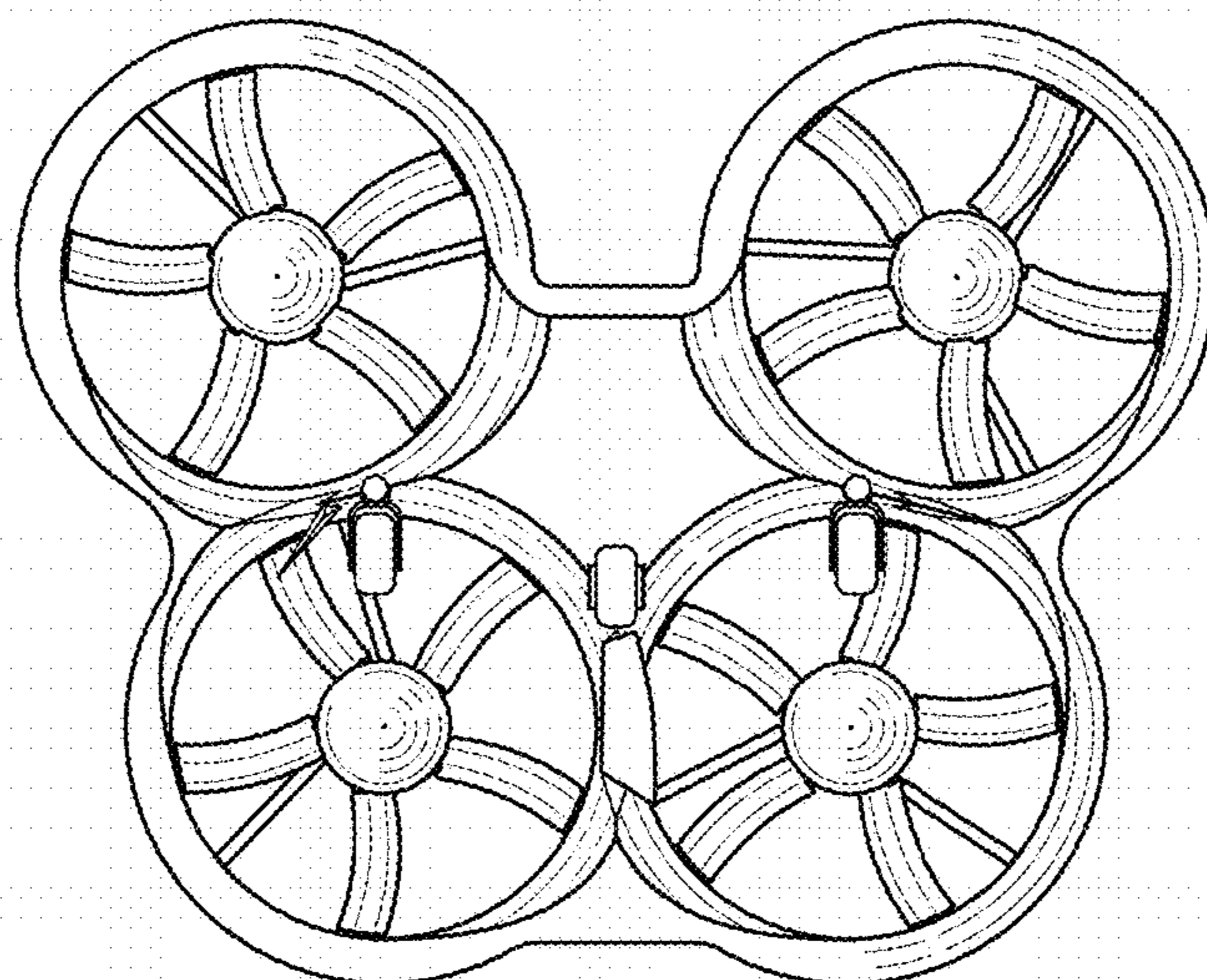


FIG. 9

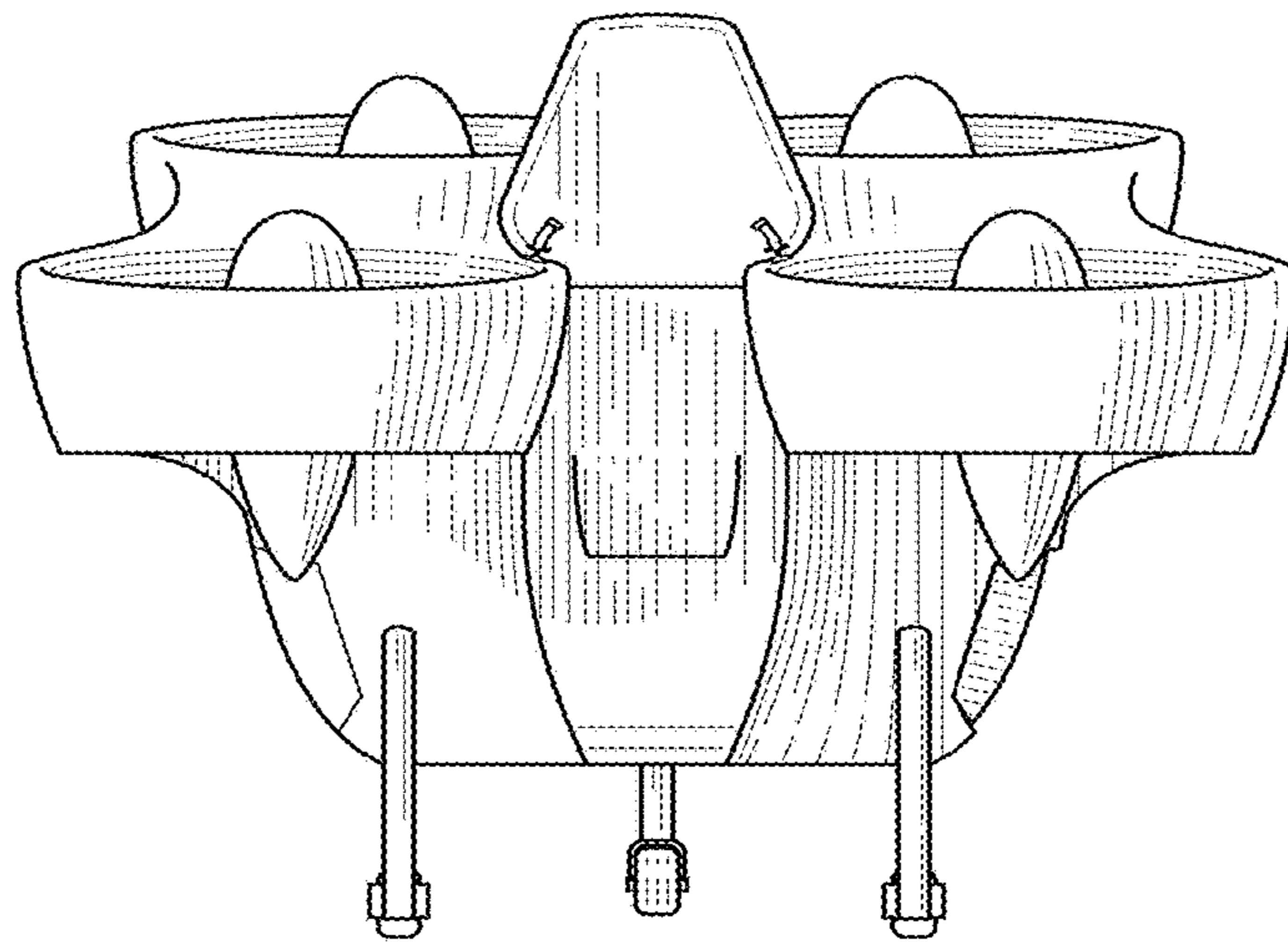


FIG. 10

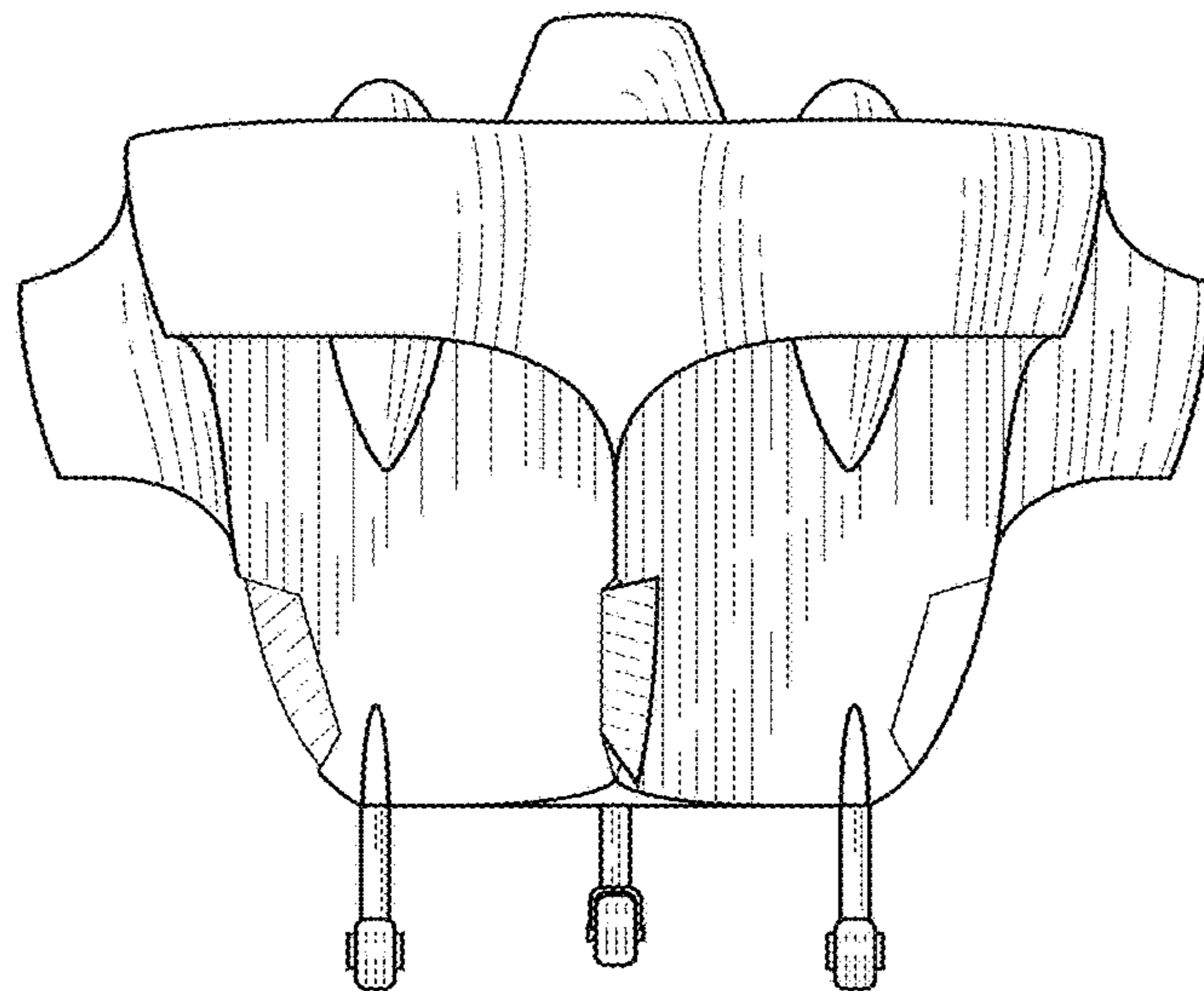


FIG. 11