



US00D862359S

(12) **United States Design Patent**
Chen et al.

(10) **Patent No.:** **US D862,359 S**

(45) **Date of Patent:** **** Oct. 8, 2019**

(54) **AERIAL VEHICLE**

(71) Applicant: **SZ DJI Technology Co., Ltd.**,
Shenzhen (CN)

(72) Inventors: **Shaojie Chen**, Shenzhen (CN); **Zhen Wang**, Shenzhen (CN); **Yun Zhao**, Shenzhen (CN); **Tao Peng**, Shenzhen (CN)

(73) Assignee: **SZ DJI Technology Co., Ltd.**,
Shenzhen (CN)

(**) Term: **15 Years**

(21) Appl. No.: **29/582,458**

(22) Filed: **Oct. 27, 2016**

(51) **LOC (12) Cl.** **12-01**

(52) **U.S. Cl.**
USPC **D12/328**; D12/16.1

(58) **Field of Classification Search**
USPC D12/16.1, 319-345; D21/436, 438, 441,
D21/442, 443, 444, 447, 448, 449, 450,
D21/451, 452, 454

CPC ... B64C 29/00; B64C 2201/141; B64C 27/24;
B64C 27/30; B64C 39/04; B64C 29/0033;
B64C 29/0025

See application file for complete search history.

(56) **References Cited**

U.S. PATENT DOCUMENTS

D189,462 S	12/1960	Vogt	
3,053,480 A	9/1962	Vanderlip	
D197,038 S *	12/1963	Howard	D12/329
3,614,029 A	10/1971	Eickmann	
4,913,377 A	4/1990	Eickmann	
5,082,079 A	1/1992	Lissaman et al.	
D465,196 S	11/2002	Dammar	
D628,658 S *	12/2010	Wurm	D21/442
D659,771 S	5/2012	Seydoux et al.	
8,167,234 B1	5/2012	Moore	

8,214,088 B2	7/2012	Lefebure
D691,514 S	10/2013	Wang et al.
8,662,438 B2	3/2014	Savoie et al.
D708,272 S	7/2014	Schmelter
D710,452 S	8/2014	Barajas et al.
D710,454 S	8/2014	Barajas et al.
8,794,564 B2	8/2014	Hutson
8,967,029 B1	3/2015	Calvert
8,973,861 B2	3/2015	Zhou et al.
8,991,740 B2	3/2015	Olm et al.
9,004,973 B2	4/2015	Condon et al.

(Continued)

OTHER PUBLICATIONS

DJI takes Super 35 airborne with Zenmuse X7 drone camera by Nick Lavars. dated Oct. 12, 2017. found online [Oct. 15, 2018] <https://newatlas.com/dji-zenmuse-x7-super-35-drone-camera/51724/>.*

(Continued)

Primary Examiner — Marissa J Cash
(74) *Attorney, Agent, or Firm* — Sterne, Kessler, Goldstein & Fox P.L.L.C.

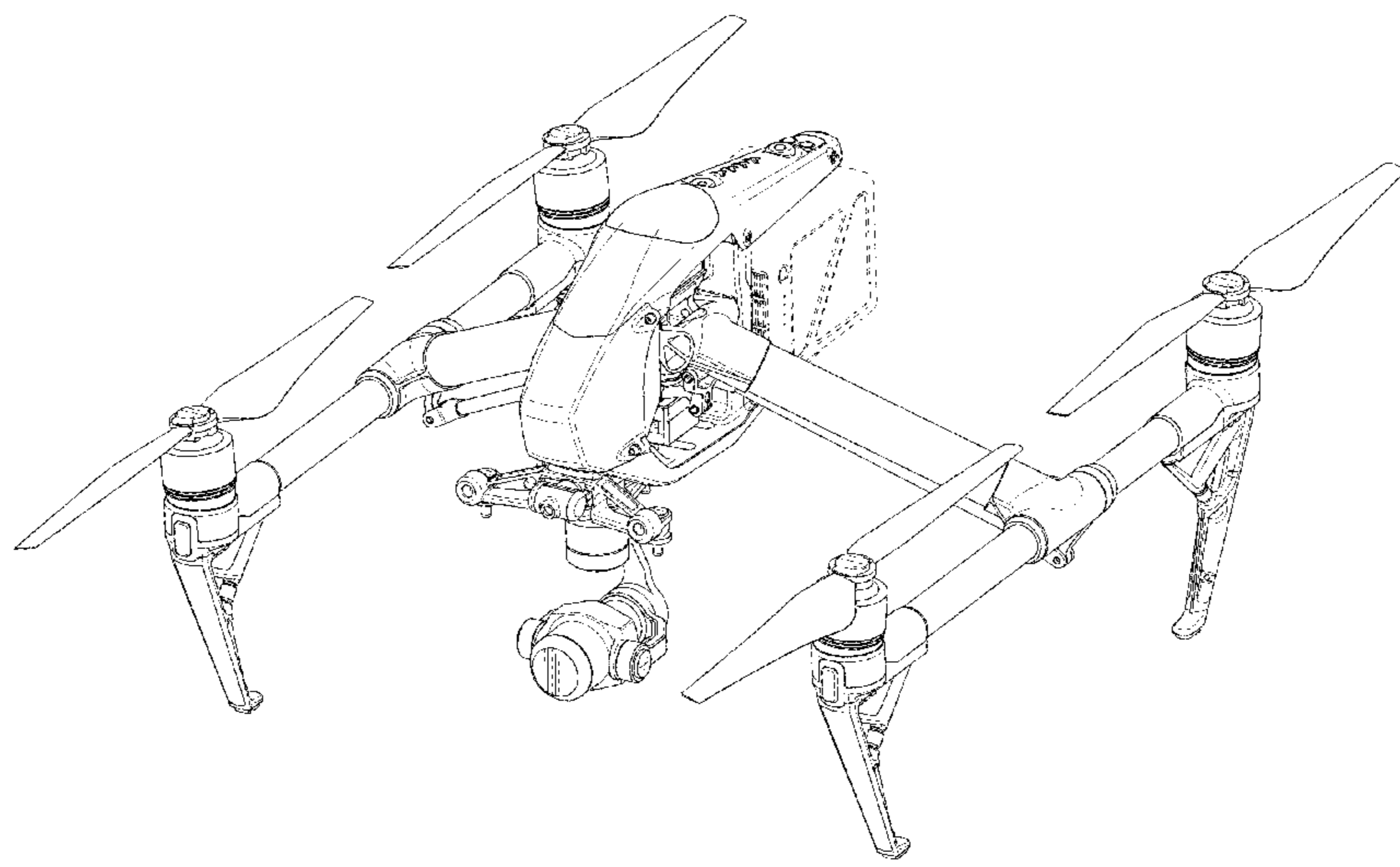
(57) **CLAIM**

The ornamental design for an aerial vehicle, as shown and described.

DESCRIPTION

FIG. 1 is a top front perspective view of an aerial vehicle showing the claimed design;
FIG. 2 is a bottom rear perspective view thereof;
FIG. 3 is a front view thereof;
FIG. 4 is a rear view thereof;
FIG. 5 is a left side view thereof;
FIG. 6 is a right side view thereof;
FIG. 7 is a top view thereof; and,
FIG. 8 is a bottom view thereof.
The broken lines in the figures show portions of the aerial vehicle that form no part of the claimed design.

1 Claim, 8 Drawing Sheets



(56)

References Cited

U.S. PATENT DOCUMENTS

9,061,558 B2 6/2015 Kalantari et al.
D751,490 S * 3/2016 Chen D12/16.1
D751,491 S 3/2016 Chen
D759,764 S * 6/2016 Lai D12/16.1
D760,848 S * 7/2016 McKenna D12/16.1
D763,134 S * 8/2016 Wang D12/16.1
D767,043 S * 9/2016 Morrison D12/16.1
D768,539 S * 10/2016 Lee D12/16.1
D768,789 S * 10/2016 Fargeau D12/16.1
D772,991 S * 11/2016 Caubel D12/16.1
D777,263 S * 1/2017 Lavagen D12/16.1
D782,365 S * 3/2017 Hung D12/16.1
D782,366 S * 3/2017 Xiao D12/16.1
D784,202 S * 4/2017 Park D12/16.1
D784,854 S * 4/2017 Huang D12/16.1
D795,741 S * 8/2017 Li D12/16.1
D795,742 S * 8/2017 Li D12/16.1
D795,743 S * 8/2017 Li D12/16.1
D795,784 S * 8/2017 Guo D12/328
D795,967 S * 8/2017 Haley D12/16.1
D797,602 S * 9/2017 Li D12/16.1
D798,961 S * 10/2017 Li D21/441
D801,224 S * 10/2017 Li D12/16.1
D803,098 S * 11/2017 Lee D12/16.1
D803,328 S * 11/2017 Lee D21/441
D805,425 S * 12/2017 Hanscom D11/202
D805,431 S * 12/2017 Li D12/16.1
D806,606 S * 1/2018 Morrison D12/16.1
D809,992 S * 2/2018 Hu D12/328
D813,723 S * 3/2018 Ahn D12/16.1
D813,724 S * 3/2018 Hu D12/16.1
D814,970 S * 4/2018 Chen D12/16.1
D814,971 S * 4/2018 Huang D12/16.1
D814,972 S * 4/2018 Ahn D12/16.1
D814,973 S * 4/2018 Li D12/16.1
D816,546 S * 5/2018 Wang D12/16.1
D816,582 S * 5/2018 Liang D12/328
D817,850 S * 5/2018 Xiao D12/328

D818,872 S * 5/2018 Ho D12/16.1
D818,874 S * 5/2018 Tian D12/16.1
D819,749 S * 6/2018 Caubel D21/449
D820,158 S * 6/2018 Jeong D12/16.1
D821,263 S * 6/2018 Goldy D12/16.1
D825,379 S * 8/2018 Gury D12/16.1
D827,723 S * 9/2018 Barajas D21/442
D828,222 S * 9/2018 Yu D12/16.1
D830,476 S * 10/2018 Barse D21/491
D843,305 S * 3/2019 MacAndrew D12/319
2007/0105474 A1 5/2007 Gotou et al.
2008/0048065 A1 2/2008 Kuntz
2009/0283629 A1 11/2009 Kroetsch et al.
2014/0117149 A1 * 5/2014 Zhou A63H 27/12
244/17.23
2016/0375997 A1 * 12/2016 Welsh B64C 39/024
244/17.23
2016/0376004 A1 * 12/2016 Claridge B64C 19/00
701/3
2017/0101174 A1 * 4/2017 Ou B64C 27/08
2017/0113789 A1 * 4/2017 Ou H02G 3/04
2017/0174316 A1 * 6/2017 Huddleston, Jr. B64C 11/00
2017/0237948 A1 * 8/2017 Quast B64C 39/02
348/144
2017/0247113 A1 * 8/2017 Sanlville B64C 27/08
2017/0301109 A1 * 10/2017 Chan G06T 7/75
2017/0340176 A1 * 11/2017 Liao A47L 1/02
2018/0032087 A1 * 2/2018 Line B64C 39/024
2018/0208301 A1 * 7/2018 Ye B64C 27/32
2018/0281941 A1 * 10/2018 Hutson B64C 29/0016

OTHER PUBLICATIONS

DJI Inspire 1 Review by Unlockriver.com. dated Mar. 15, 2015. found online [Oct. 15, 2018] <https://www.youtube.com/watch?v=JHcxGWFvm7E>.
DJI Inspire 1 vs Inspire 1 Pro vs Inspire 2 Comparison by Joseph Flynt. dated Dec. 16, 2017. found online [Oct. 15, 2018] <https://3dinsider.com/inspire-comparison/>.

* cited by examiner

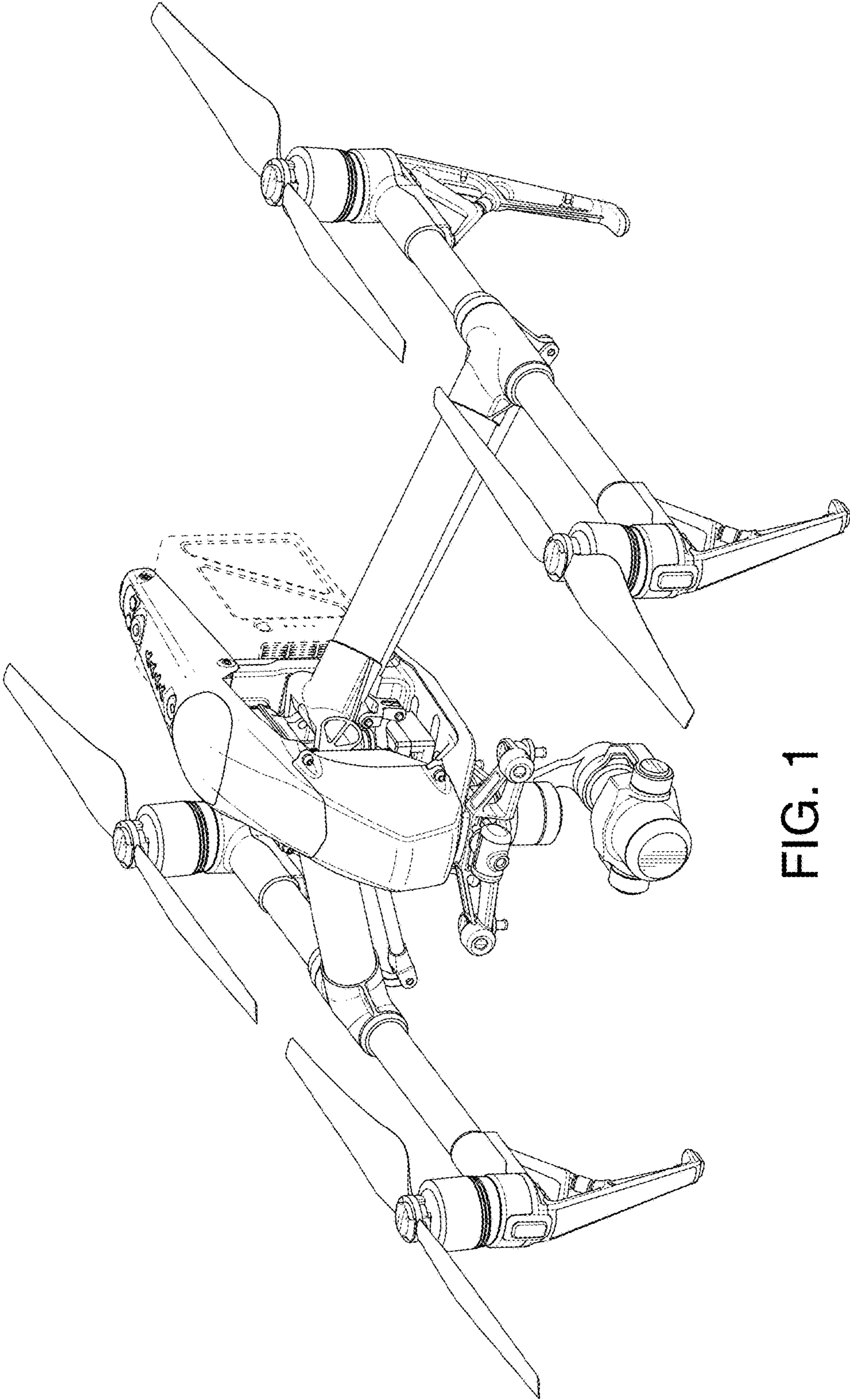


FIG. 1

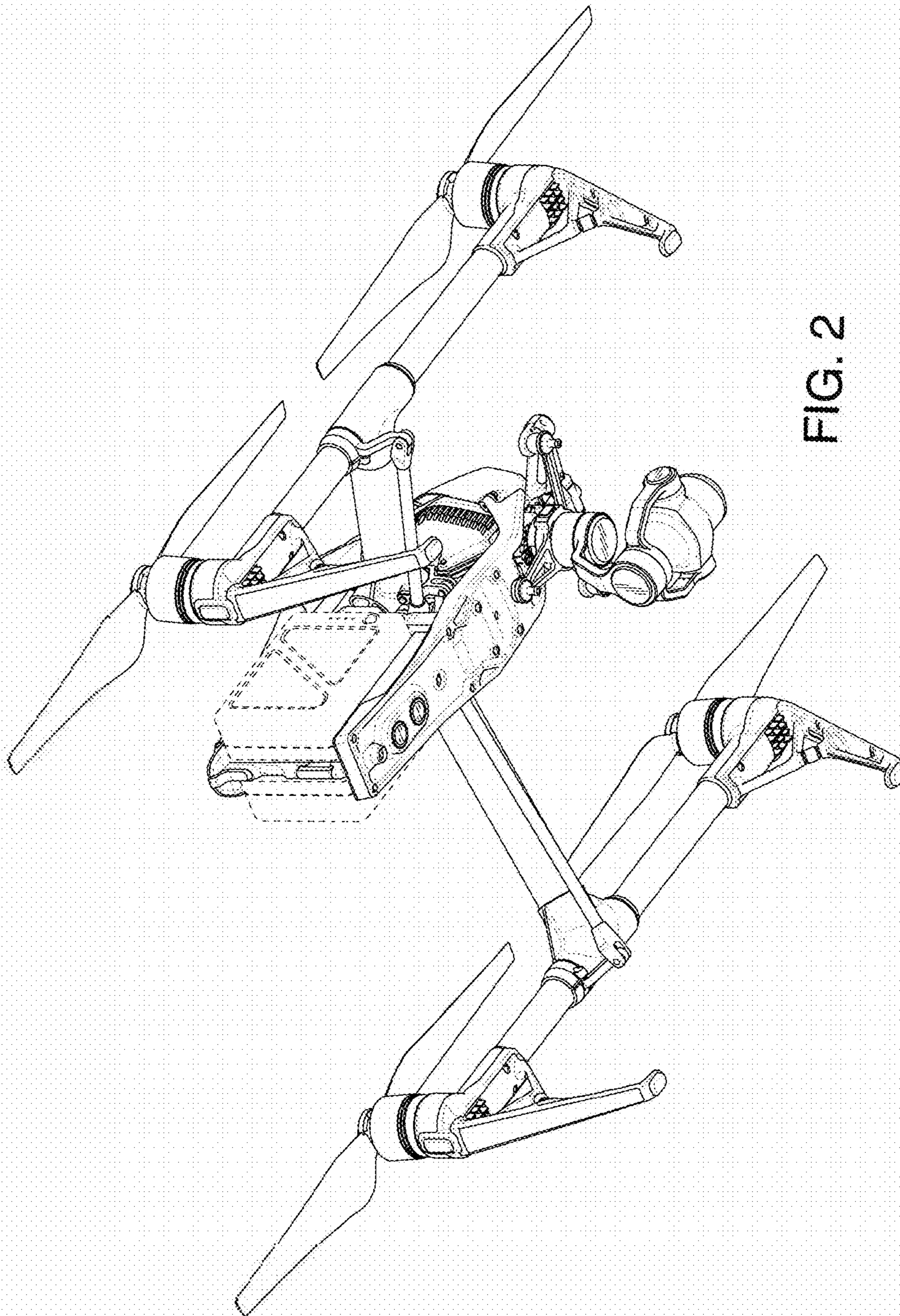


FIG. 2

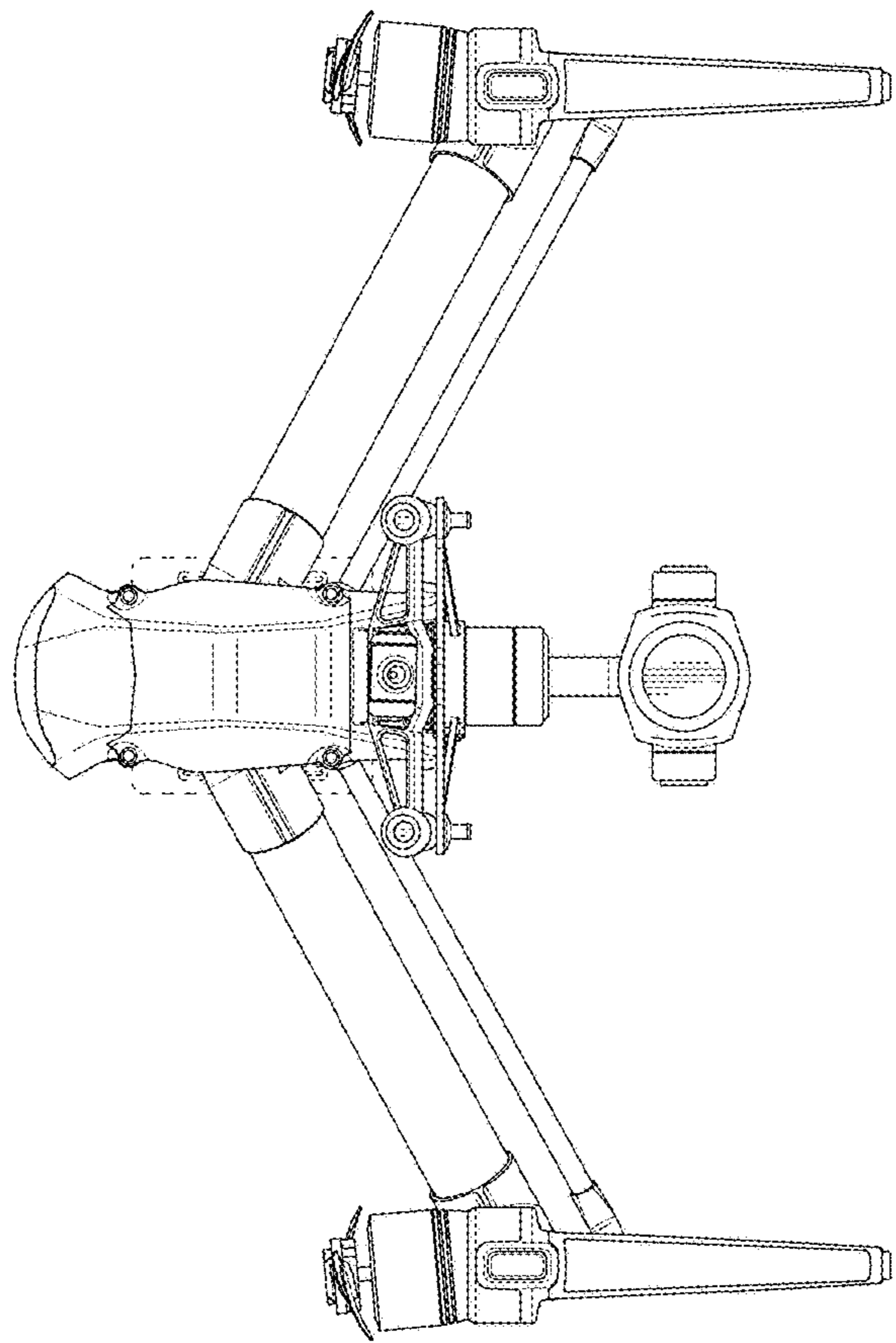


FIG. 3

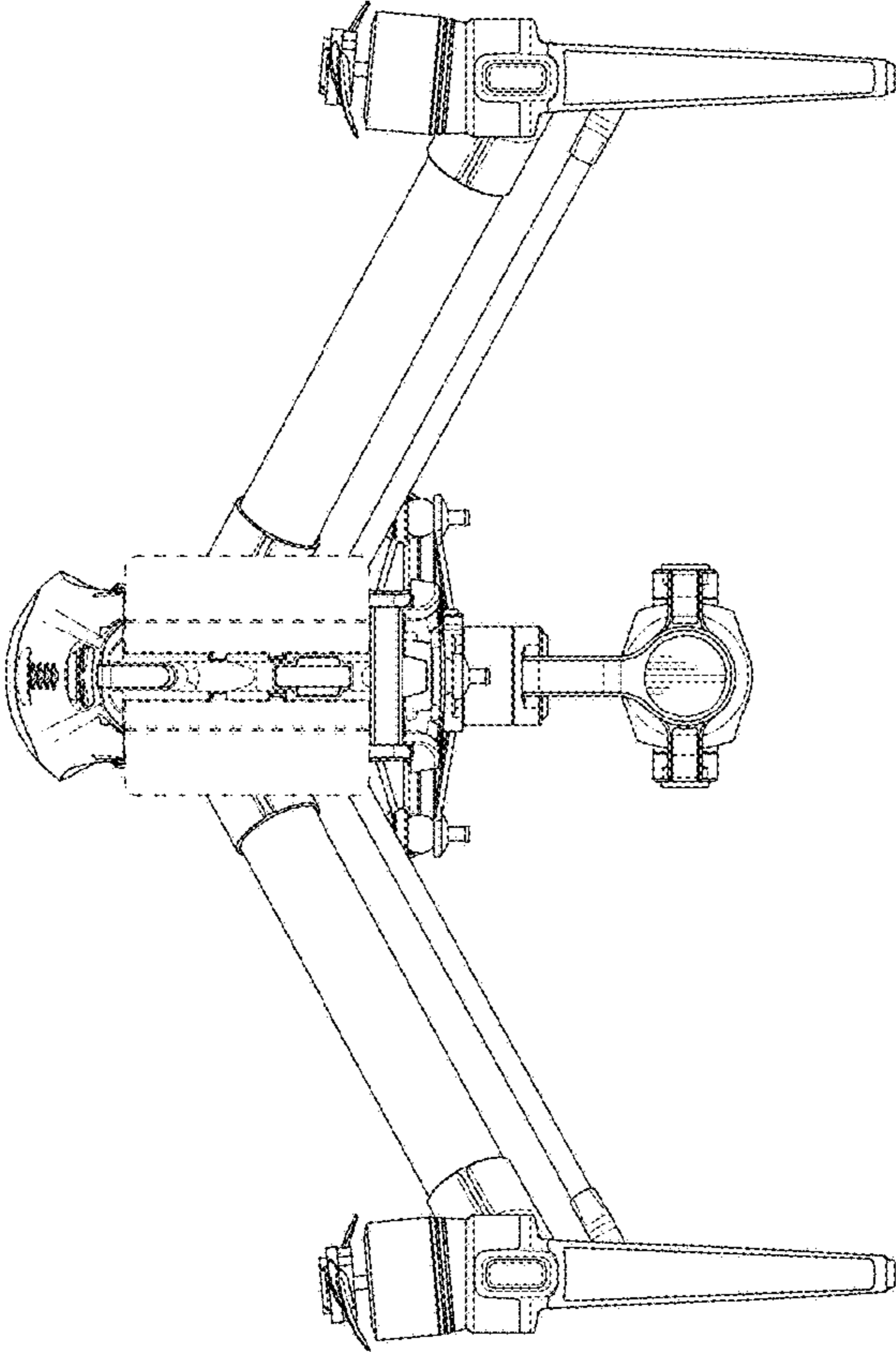


FIG. 4

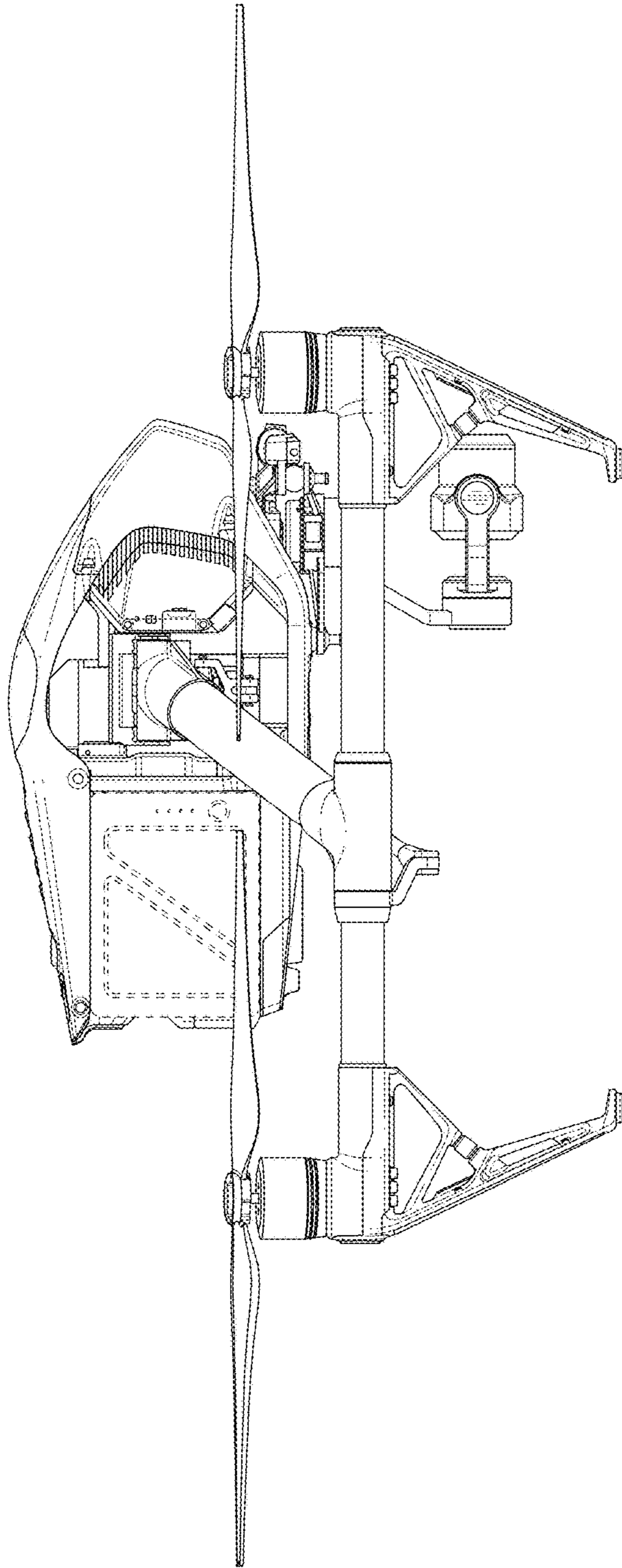


FIG. 5

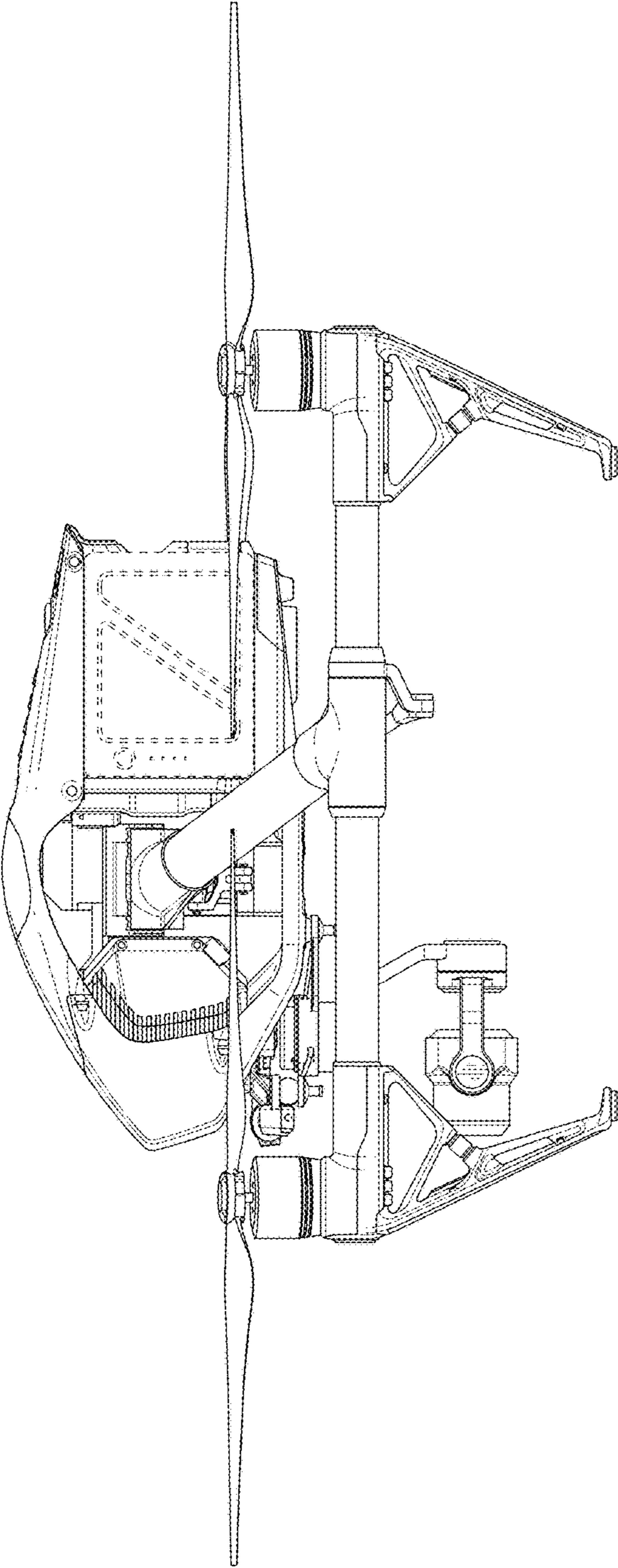


FIG. 6

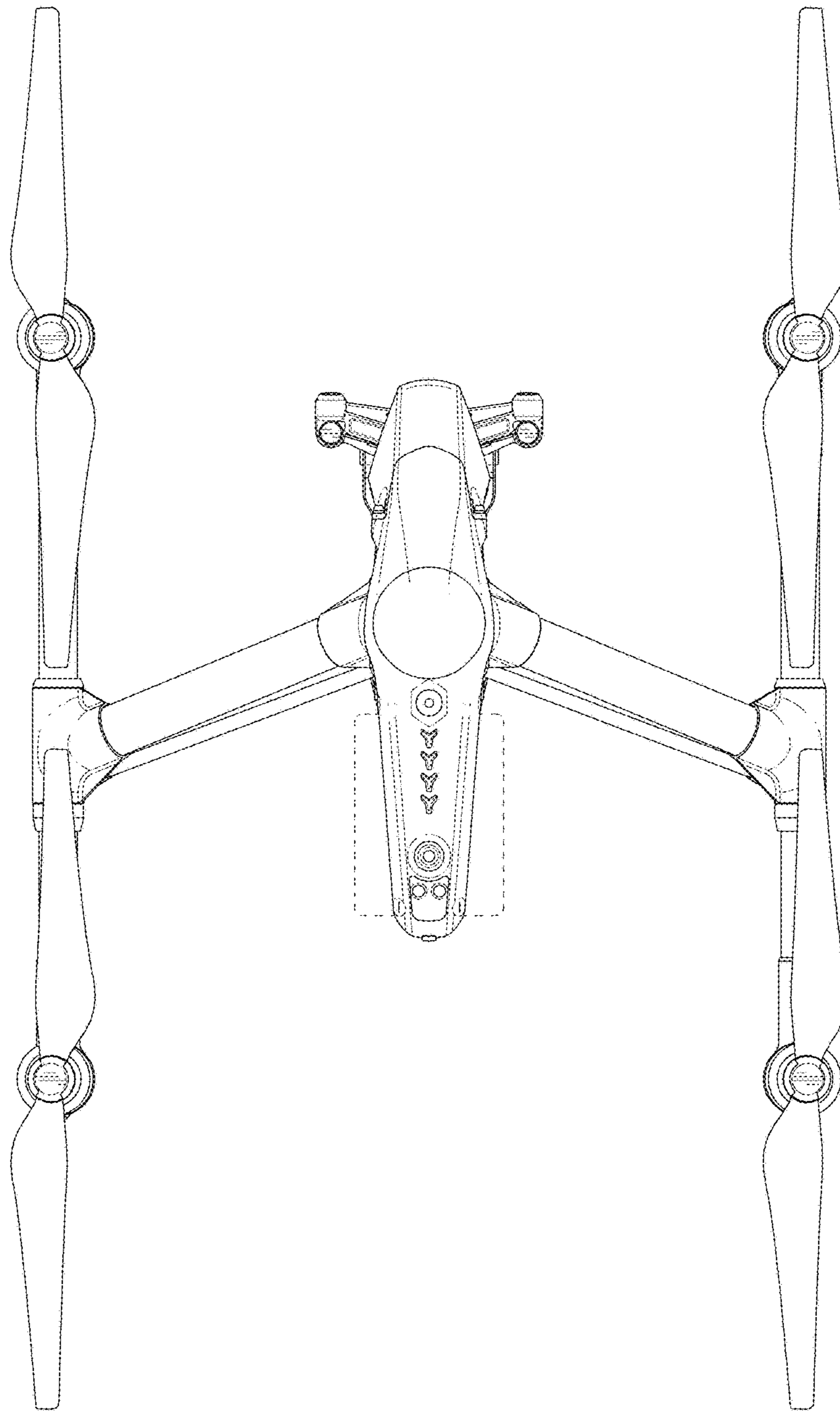


FIG. 7

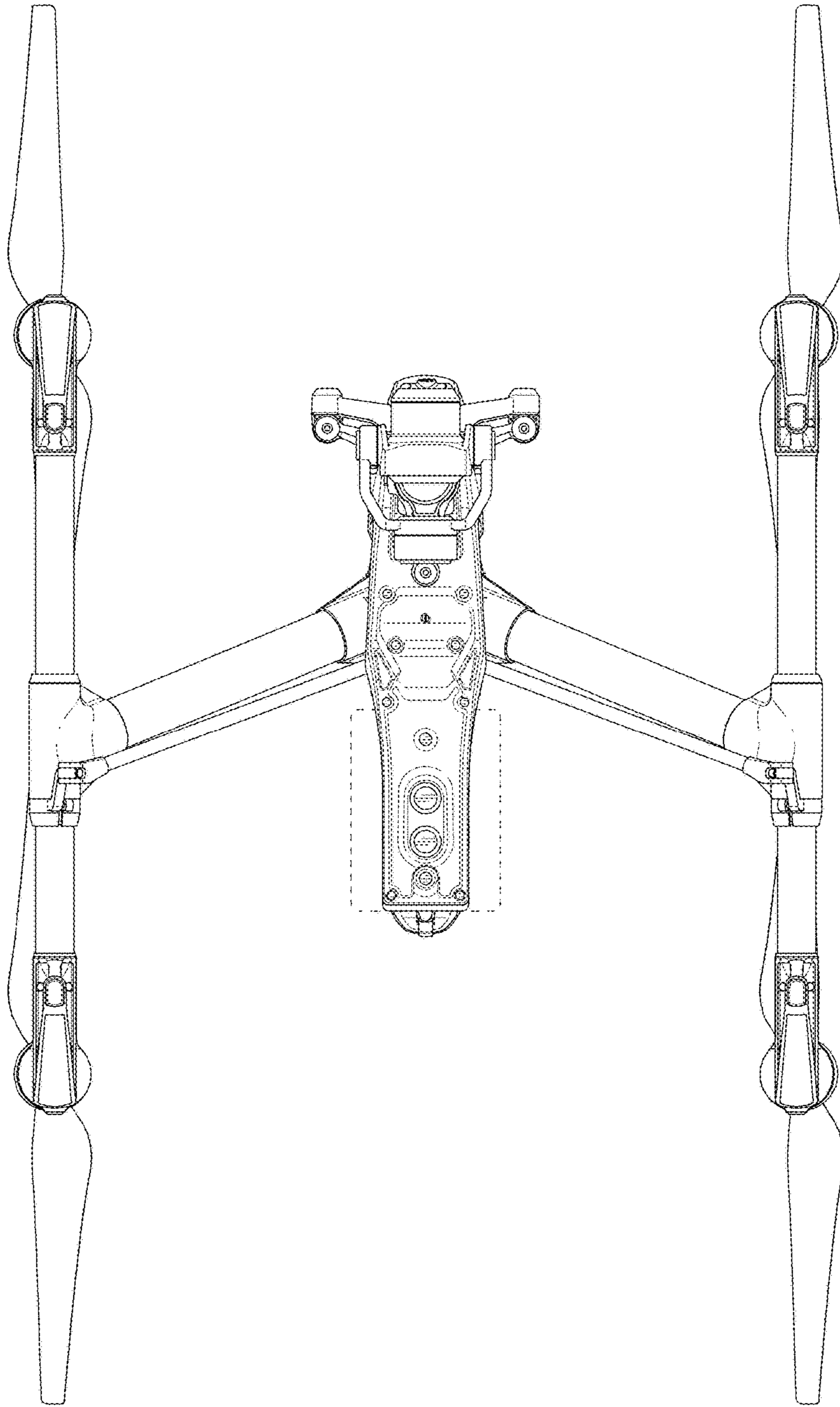


FIG. 8