



US00D862358S

(12) **United States Design Patent** (10) **Patent No.:** **US D862,358 S**  
**Berche et al.** (45) **Date of Patent:** **\*\* Oct. 8, 2019**

(54) **WATERCRAFT FRONT BUMPER**  
(71) Applicant: **BOMBARDIER RECREATIONAL PRODUCTS INC.,** Valcourt (CA)  
(72) Inventors: **Charles-Edouard Berche,** Bromont (CA); **Francois Chenevert,** Sherbrooke (CA)  
(73) Assignee: **BOMBARDIER RECREATIONAL PRODUCTS INC,** Valcourt (CA)  
(\*\*) Term: **15 Years**

D511,320 S 11/2005 Bucaccio et al.  
D513,225 S 12/2005 Omae et al.  
D516,006 S 2/2006 Bucaccio et al.  
D516,993 S 3/2006 Bucaccio et al.  
D519,437 S 4/2006 Bucaccio et al.  
D519,438 S 4/2006 Bucaccio et al.  
D519,909 S 5/2006 Bucaccio et al.  
D527,701 S 9/2006 Bucaccio et al.  
D550,603 S 9/2007 Cote et al.  
D550,605 S 9/2007 Cote et al.  
D569,330 S \* 5/2008 Hattori ..... D12/307  
D569,781 S 5/2008 Hattori et al.  
D574,314 S 8/2008 Kato et al.  
D575,720 S 8/2008 Kato et al.  
D603,319 S 11/2009 Cote et al.

(Continued)

(21) Appl. No.: **29/641,101**  
(22) Filed: **Mar. 20, 2018**  
(51) **LOC (12) Cl.** ..... **12-06**  
(52) **U.S. Cl.**  
USPC ..... **D12/317**  
(58) **Field of Classification Search**  
USPC ..... D12/300, 307, 317; 114/551.51-55.58  
CPC ..... B63B 35/73; B63B 35/731; F02B 61/045  
See application file for complete search history.

*Primary Examiner* — Cynthia M. Chin  
(74) *Attorney, Agent, or Firm* — BCF LLP

(57) **CLAIM**

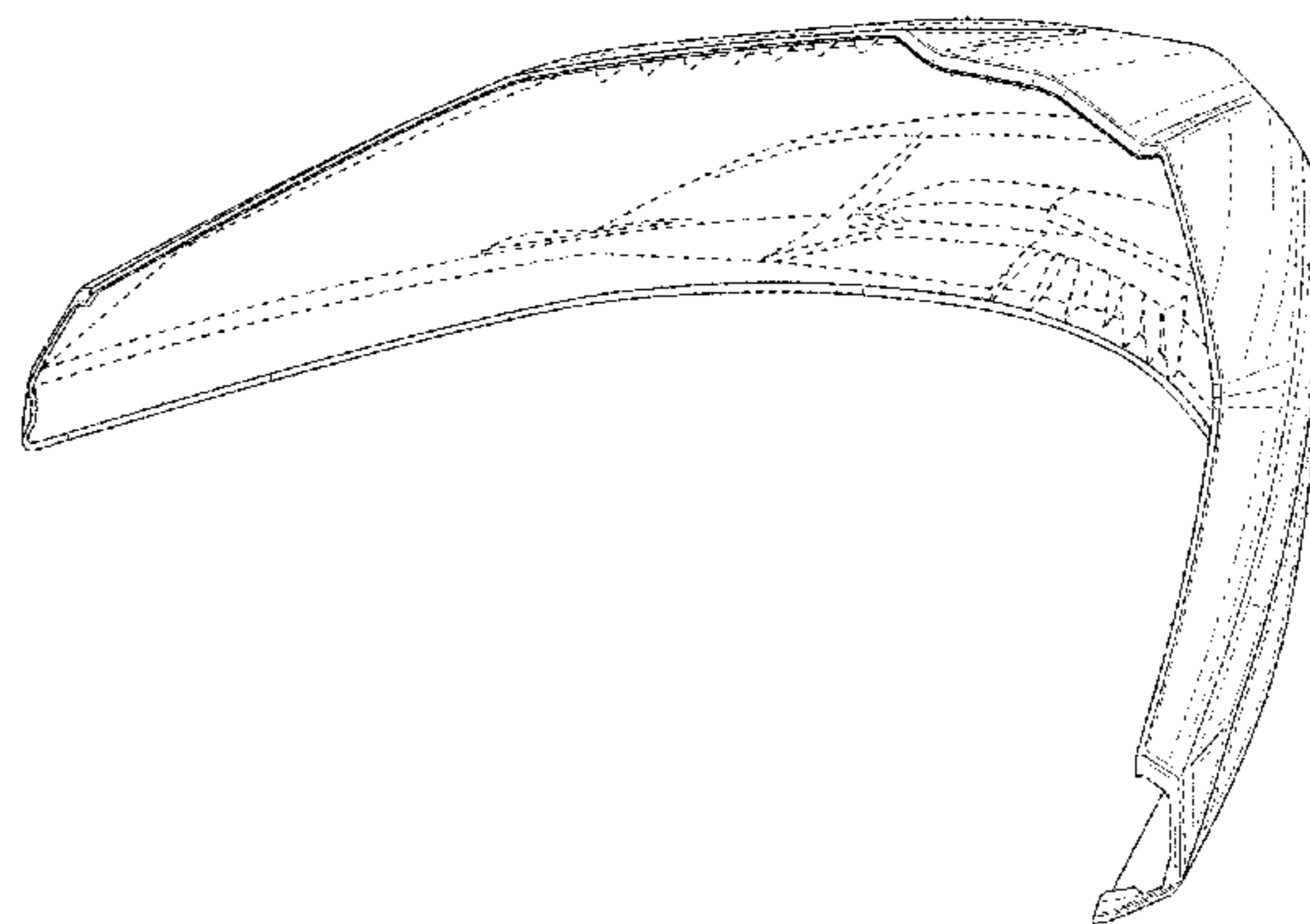
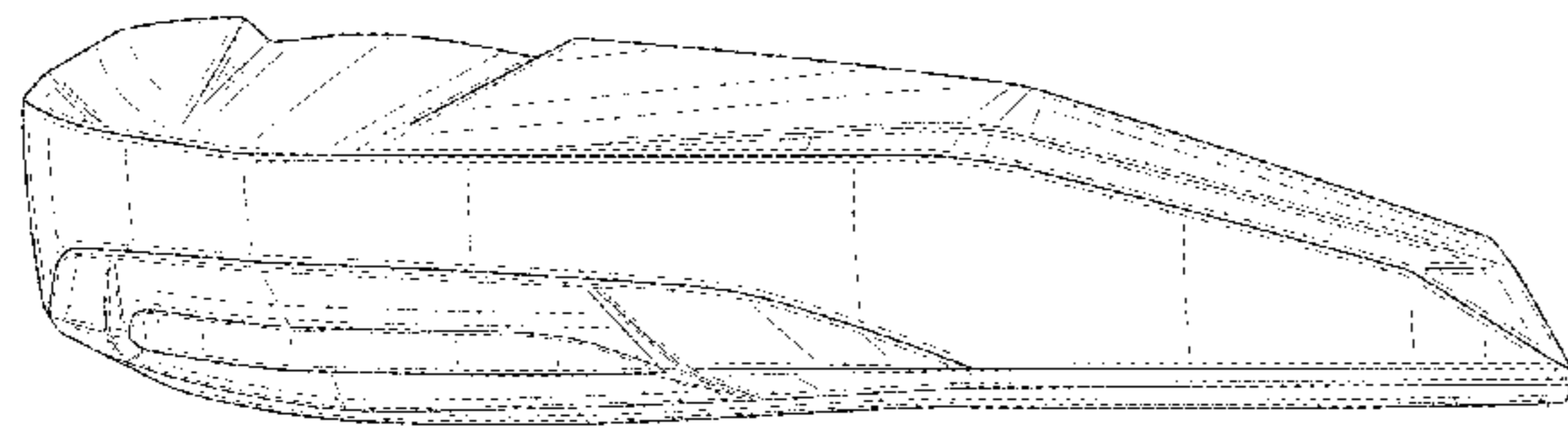
The ornamental design for a watercraft front bumper, as shown and described.

**DESCRIPTION**

FIG. 1 is a perspective view taken from a front, left side, of a watercraft front bumper according to our design; FIG. 2 is a perspective view taken from a rear, right side, thereof; FIG. 3 is a front elevation view thereof; FIG. 4 is a rear elevation view thereof; FIG. 5 is a right side elevation view thereof; FIG. 6 is a left side elevation view thereof; FIG. 7 is a top plan view thereof; and, FIG. 8 is a bottom plan view thereof. In the Figures, the dashed lines and unshaded surfaces are included to identify parts of the watercraft front bumper's appearance that form no part of the claimed design. The claimed design is intended to cover any physical, digital and virtual representation of the design illustrated in the figures.

(56) **References Cited**  
U.S. PATENT DOCUMENTS  
D307,414 S 4/1990 LaPointe  
D325,556 S 4/1992 LaPointe  
D326,839 S 6/1992 LaPointe  
D399,182 S 10/1998 LaPointe et al.  
6,112,685 A 9/2000 Matsuda et al.  
D462,931 S 9/2002 Aselton et al.  
D464,015 S 10/2002 Bucaccio et al.  
D464,016 S 10/2002 Orr et al.  
D464,926 S 10/2002 Mizuta et al.  
D476,612 S 7/2003 Bills et al.  
D479,702 S 9/2003 Cassell et al.  
D485,527 S 1/2004 Cassell et al.  
6,843,192 B1 1/2005 Nugteren et al.  
D510,900 S 10/2005 Bucaccio et al.

**1 Claim, 8 Drawing Sheets**



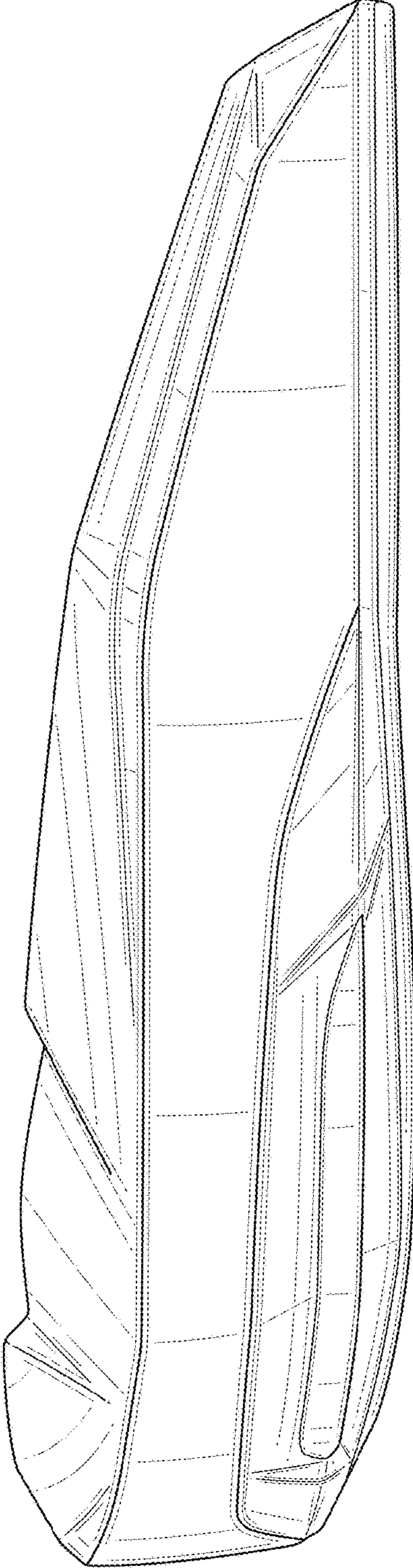
(56)

**References Cited**

U.S. PATENT DOCUMENTS

D608,719 S	1/2010	Cote et al.	
D630,152 S *	1/2011	Yamamoto .....	D12/307
D632,632 S	2/2011	Cote	
D636,324 S	4/2011	Cote	
D637,544 S	5/2011	Cote et al.	
D647,839 S *	11/2011	Seymour .....	D12/307
D650,317 S *	12/2011	Yamamoto .....	D12/307
D692,366 S *	10/2013	Cote .....	D12/307
D693,286 S	11/2013	Cote et al.	
D721,634 S *	1/2015	Cote .....	D12/307
D733,028 S *	6/2015	Cote .....	D12/307
D734,239 S	7/2015	Cote et al.	
D749,033 S *	2/2016	Yamamoto .....	D12/307
2003/0131774 A1	7/2003	Funayose et al.	
2004/0168622 A1	9/2004	Thompson et al.	

\* cited by examiner



**FIG. 1**

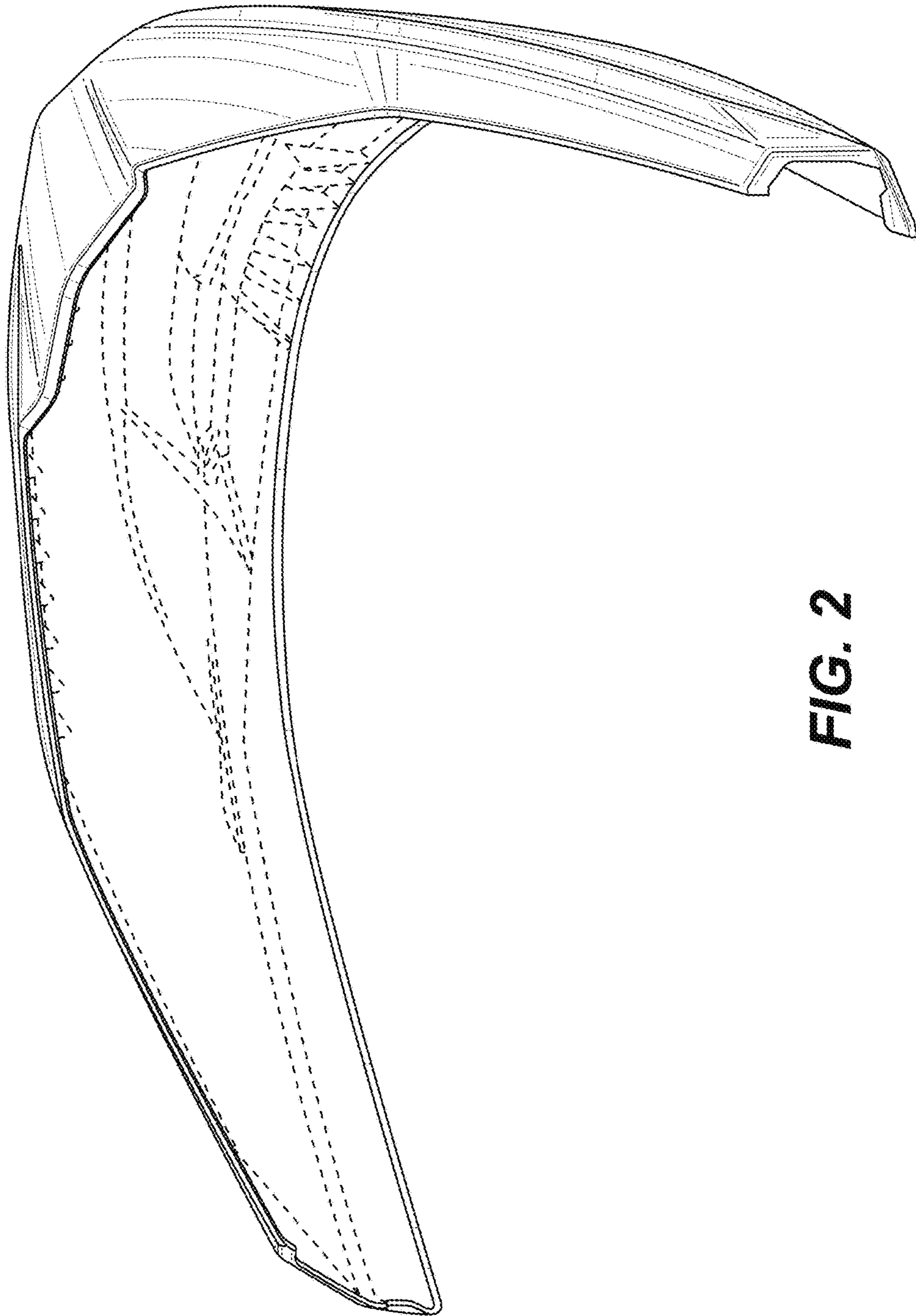
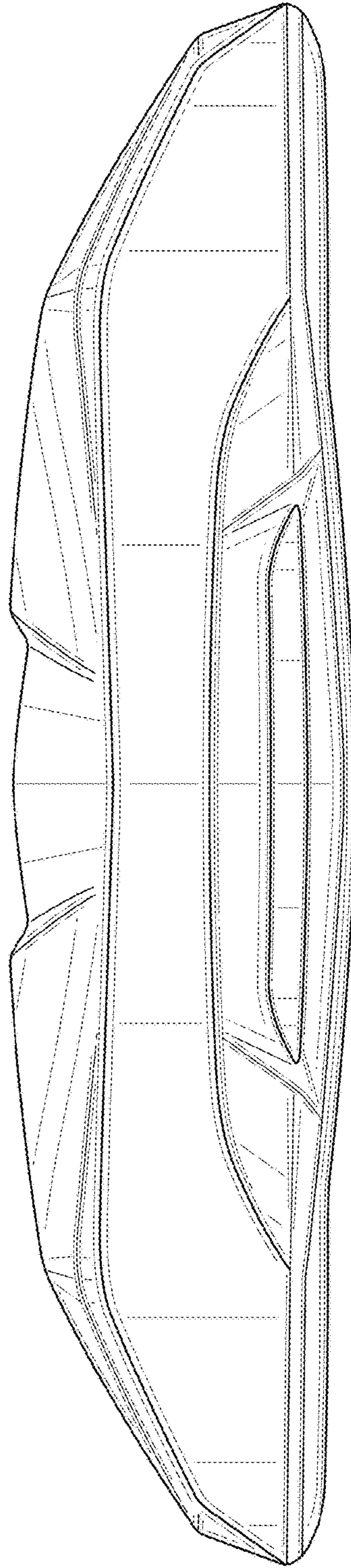
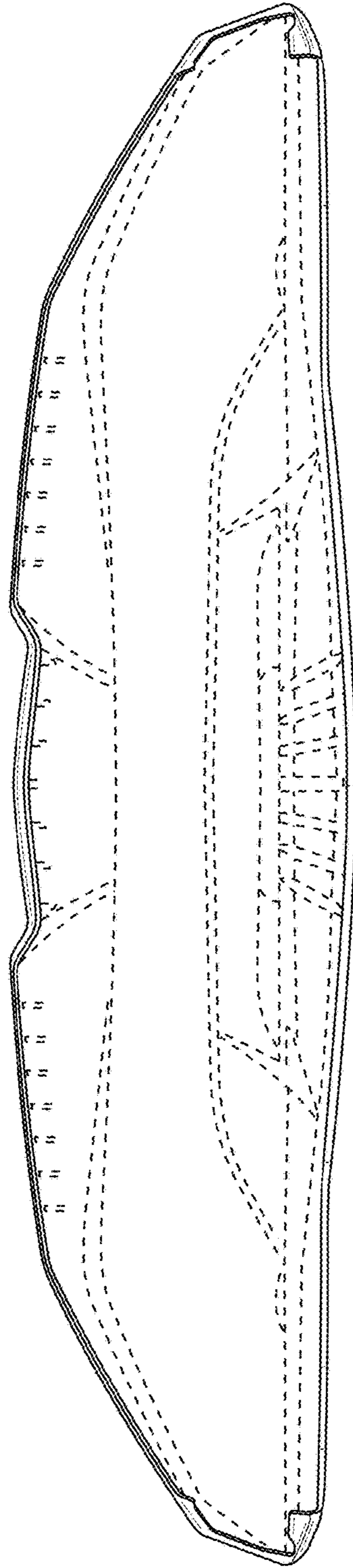


FIG. 2



**FIG. 3**



**FIG. 4**

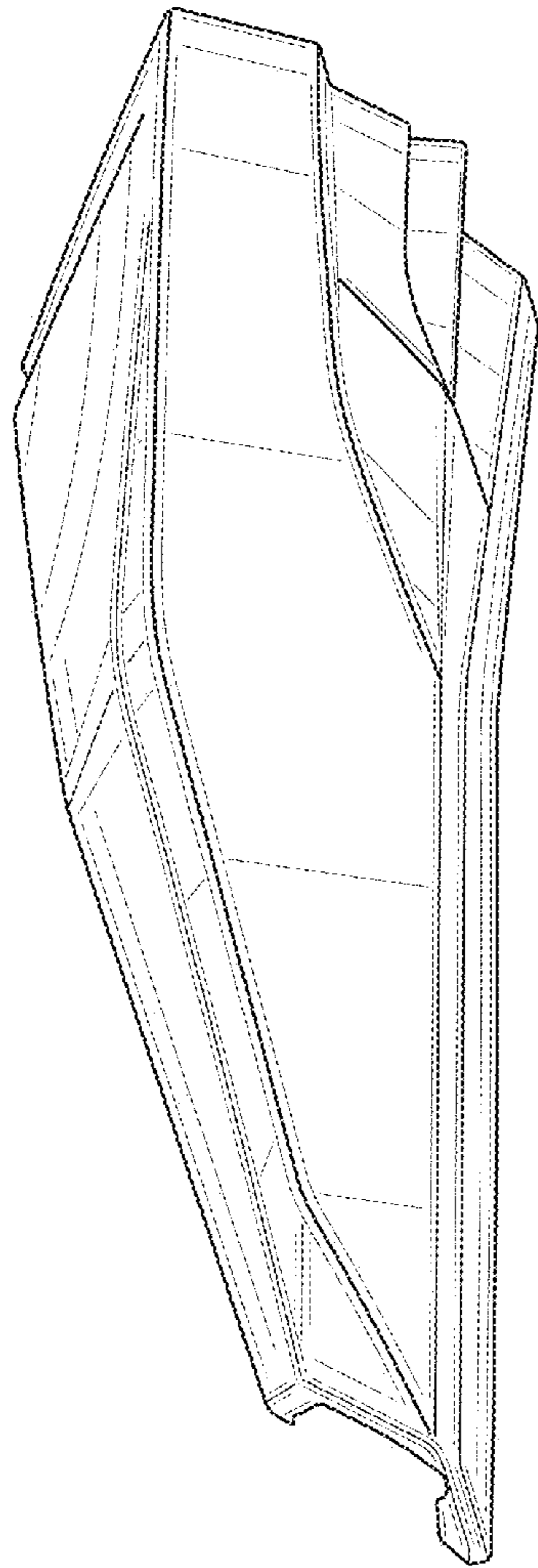
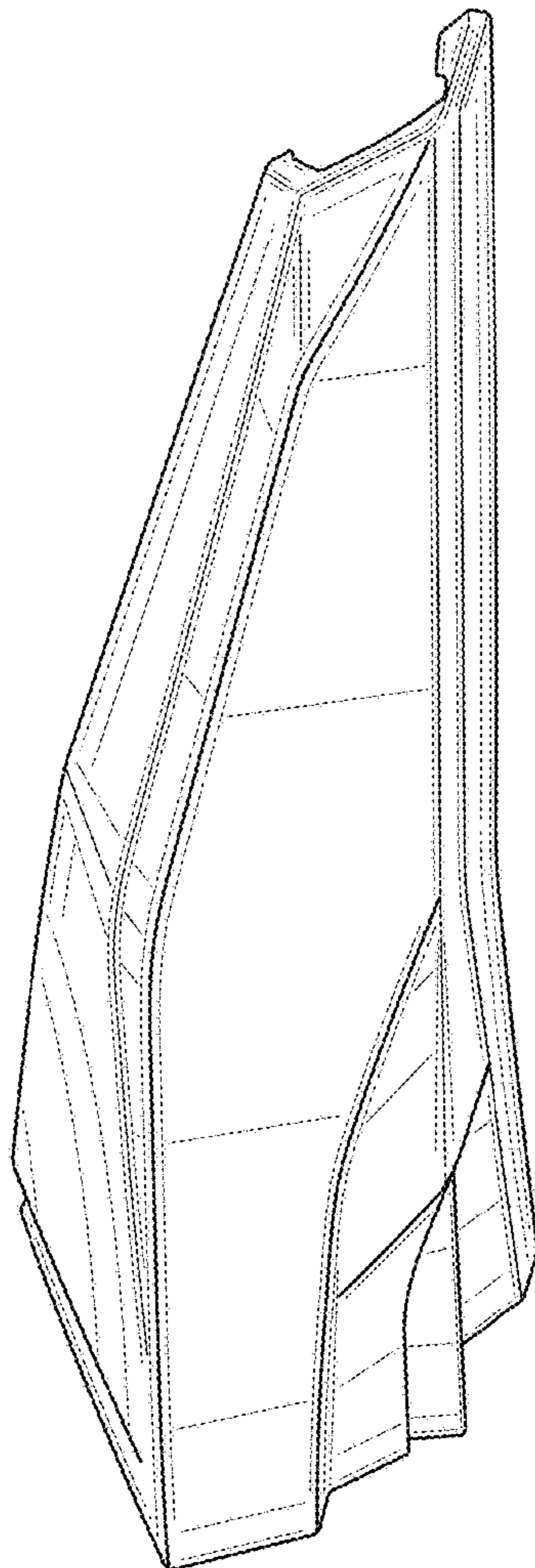
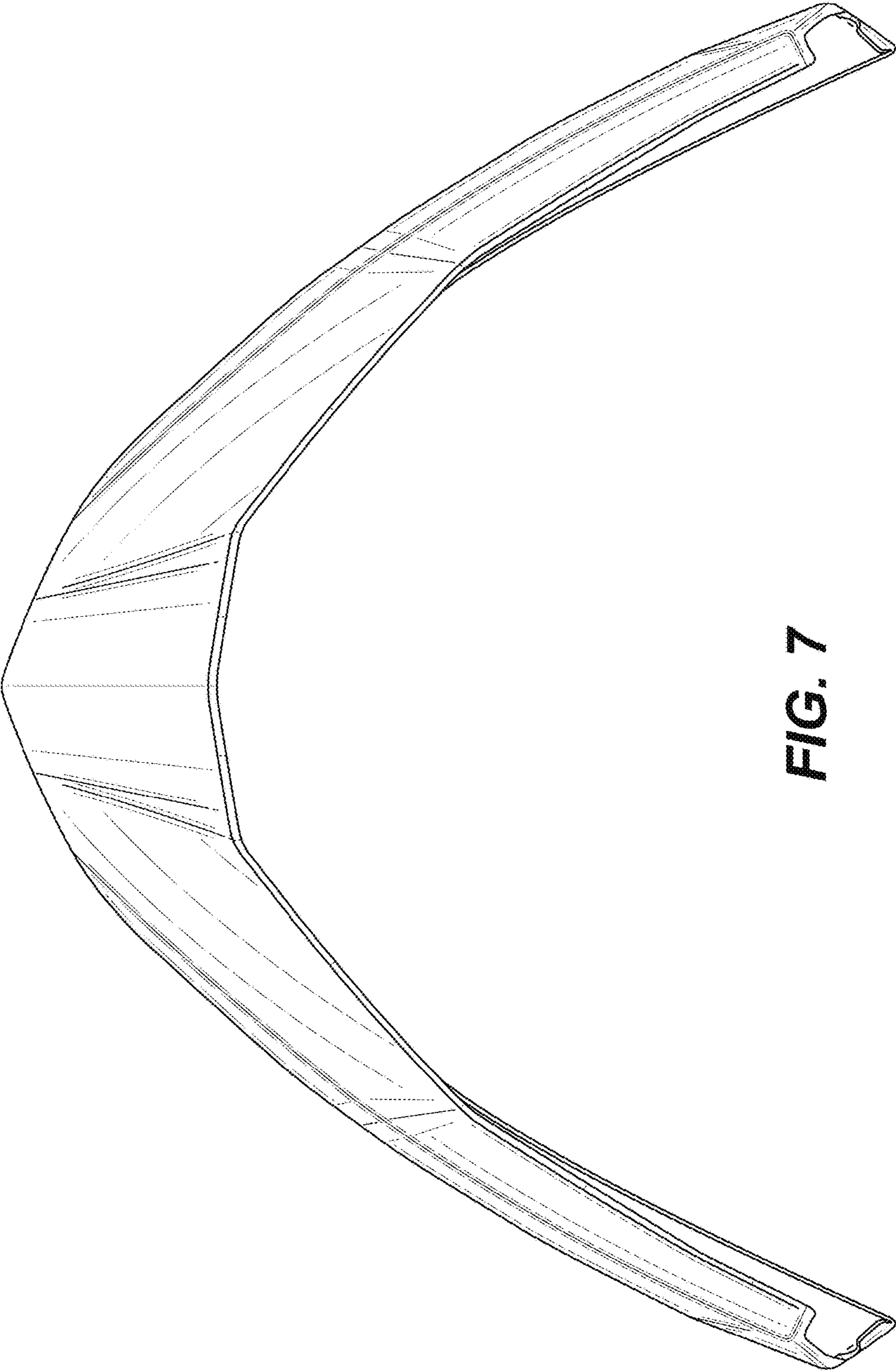


FIG. 5



**FIG. 6**





**FIG. 7**

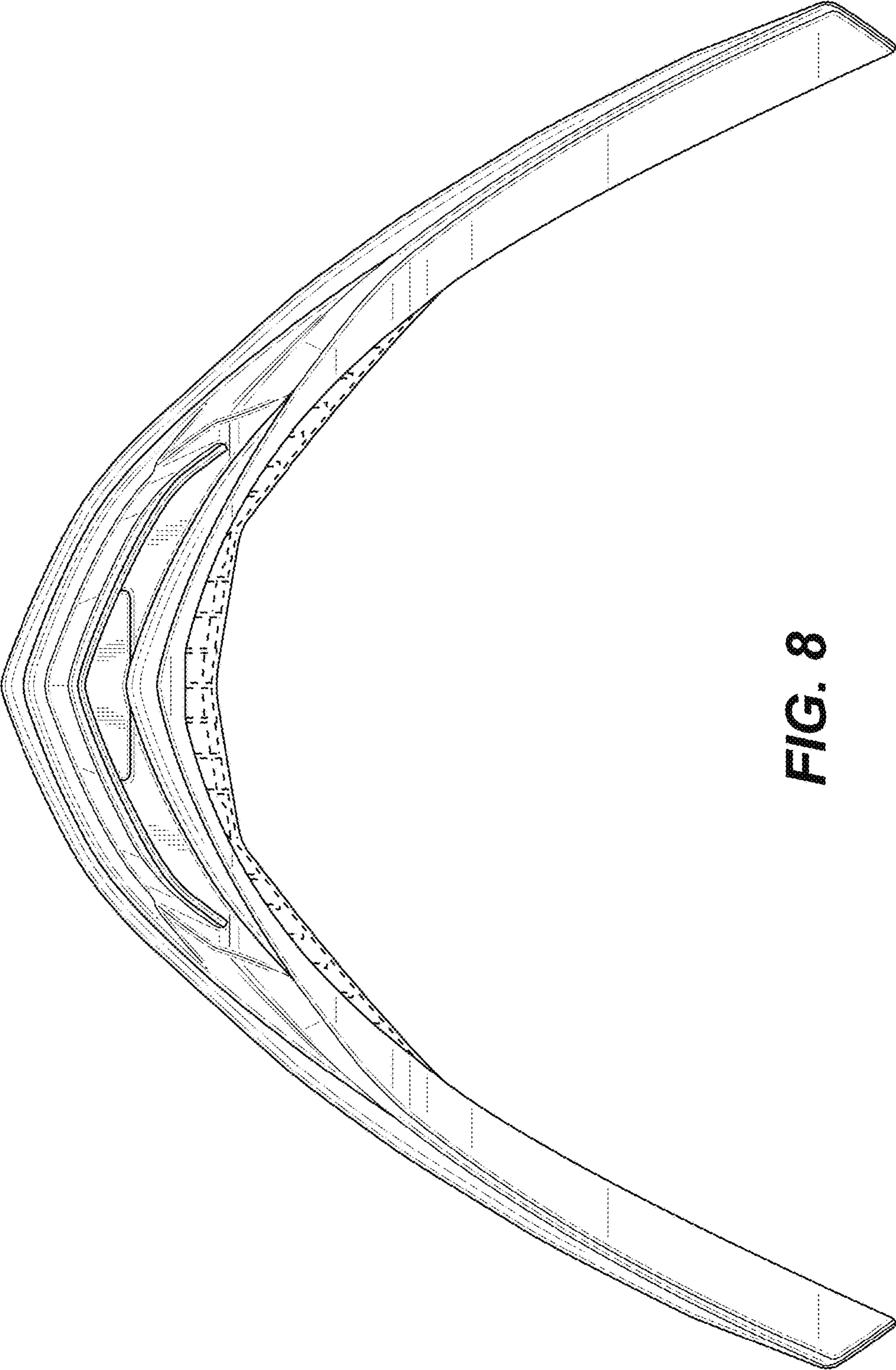


FIG. 8