



US00D862357S

(12) **United States Design Patent** (10) **Patent No.:** **US D862,357 S**
Bibb, VI (45) **Date of Patent:** **** Oct. 8, 2019**

(54) **BULL BAR**
(71) Applicant: **Lund Motion Products, Inc.**, Buford, GA (US)
(72) Inventor: **William Franklin Bibb, VI**, Littleton, CA (US)
(73) Assignee: **Lund Motion Products, Inc.**, Buford, GA (US)
(**) Term: **15 Years**
(21) Appl. No.: **29/597,401**
(22) Filed: **Mar. 16, 2017**
(51) **LOC (12) Cl.** **12-16**
(52) **U.S. Cl.**
USPC **D12/222**
(58) **Field of Classification Search**
USPC D12/222, 400, 101, 93, 401, 404, 406, D12/412, 414, 223; D6/552; D26/31
CPC B60R 27/00; B60Q 1/0483; B60J 1/06
See application file for complete search history.

D633,856 S * 3/2011 Kennedy D12/412
D642,096 S 7/2011 Taylor
D647,025 S * 10/2011 Kennedy D12/406
D647,426 S 10/2011 Ward
D669,840 S * 10/2012 Gros D12/406
D717,230 S * 11/2014 Fichter D12/414
D722,007 S * 2/2015 Ting D12/414
D731,399 S * 6/2015 Bluhm D12/406
D751,012 S 3/2016 Hare
D761,166 S 7/2016 Hare
D771,537 S 11/2016 Hare
D775,016 S 12/2016 Reynolds
D777,619 S 1/2017 Barajas et al.
D786,745 S 5/2017 Zeng
D789,258 S 6/2017 McMath
D792,818 S 7/2017 McMath
D793,304 S 8/2017 McMath
D794,519 S 8/2017 McMath
D803,734 S 11/2017 Bennett

(Continued)

Primary Examiner — Katrina A Betton
(74) *Attorney, Agent, or Firm* — Knobbe, Martens, Olson & Bear LLP

(57) **CLAIM**

The ornamental design for a bull bar, as shown and described.

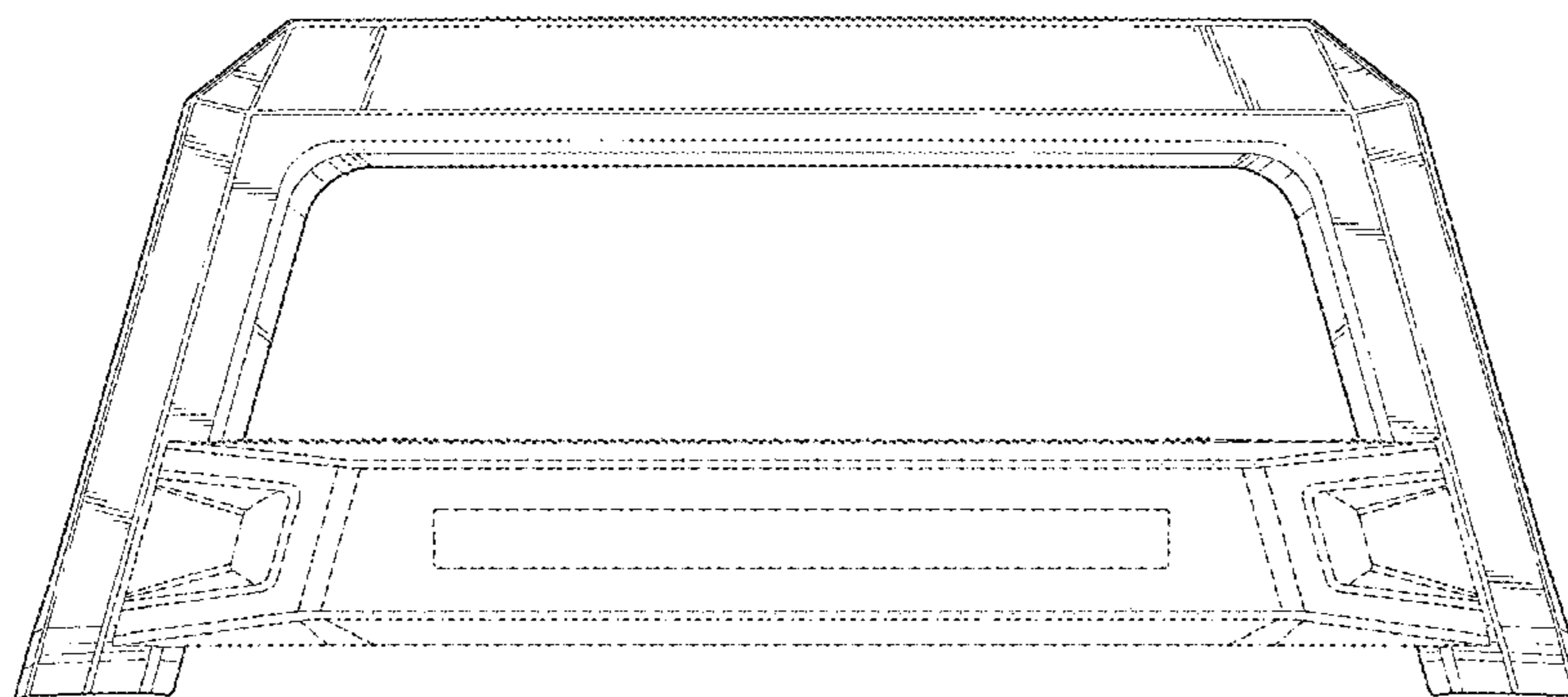
DESCRIPTION

FIG. 1 is a front perspective view of a bull bar showing my new design;
FIG. 2 is a back perspective view thereof;
FIG. 3 is a front elevational view thereof;
FIG. 4 is a back elevational view thereof;
FIG. 5 is a left elevational view thereof;
FIG. 6 is a right elevational view thereof;
FIG. 7 is a top plan view thereof; and,
FIG. 8 is a bottom plan view thereof.
In the drawings, the broken lines depict portions of the article that form no part of the claimed design.

1 Claim, 6 Drawing Sheets

(56) **References Cited**
U.S. PATENT DOCUMENTS

D234,757 S 4/1975 Veziano
D242,439 S 11/1976 Gervais
D253,101 S 10/1979 Pivar
4,451,064 A 5/1984 Perkins
D280,890 S 10/1985 Trudo et al.
D289,273 S 4/1987 Berger
D308,499 S 6/1990 Berger
D375,067 S 10/1996 Bronstein
5,863,058 A 1/1999 Jinks
D405,031 S 2/1999 Li
D425,827 S 5/2000 Robinson
D454,099 S 3/2002 McGuinness
D455,684 S 4/2002 McGuinness
7,703,834 B1 4/2010 Hardy et al.



(56)

References Cited

U.S. PATENT DOCUMENTS

D809,990 S * 2/2018 Schlup, Jr. D12/222
2005/0093320 A1* 5/2005 Brauer B62D 33/0207
296/3
2006/0192398 A1 8/2006 Buniewicz et al.
2016/0325691 A1* 11/2016 Petru B60R 9/045
2017/0158277 A1 6/2017 Hsu et al.

* cited by examiner

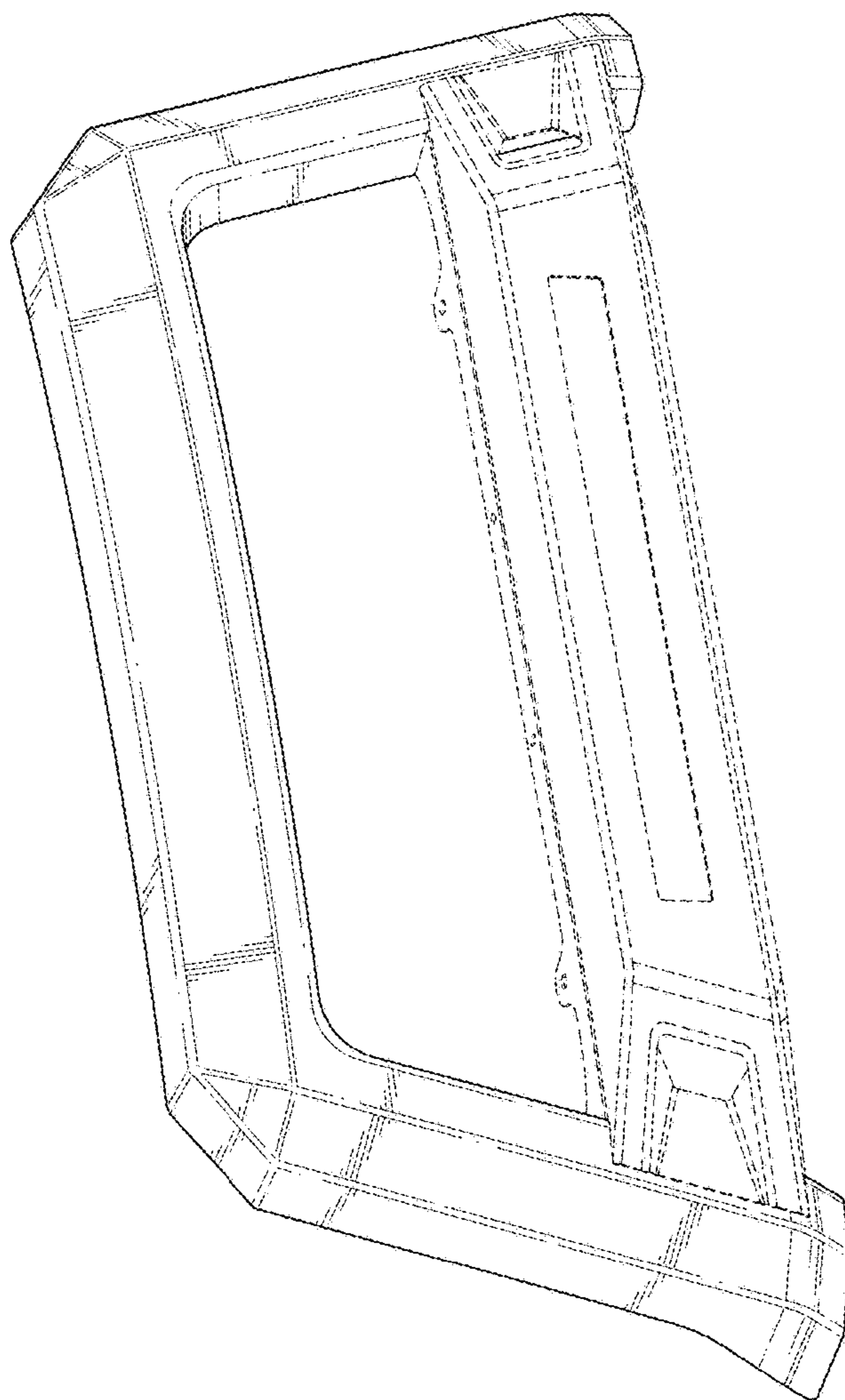


FIG. 1

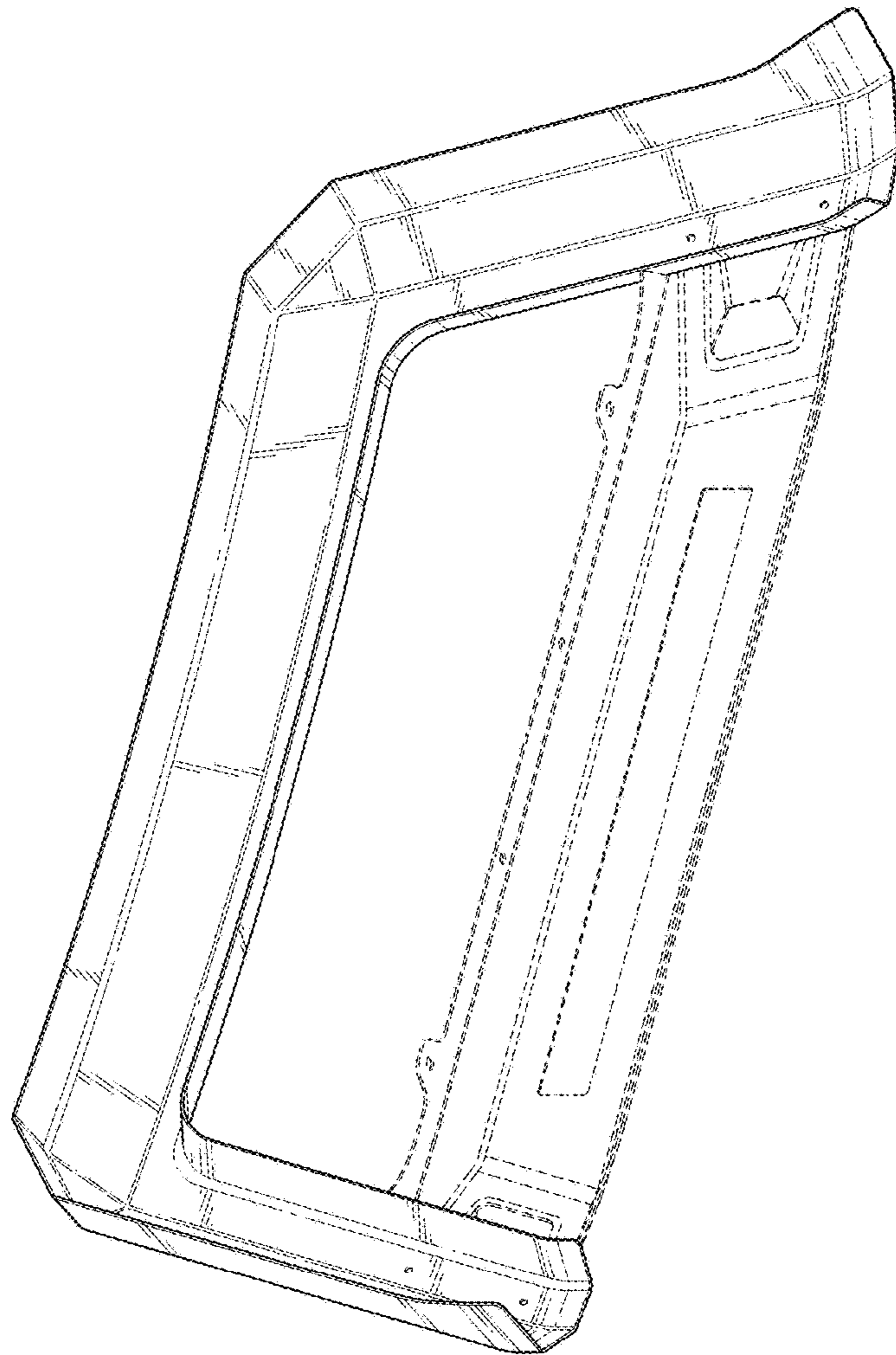


FIG. 2

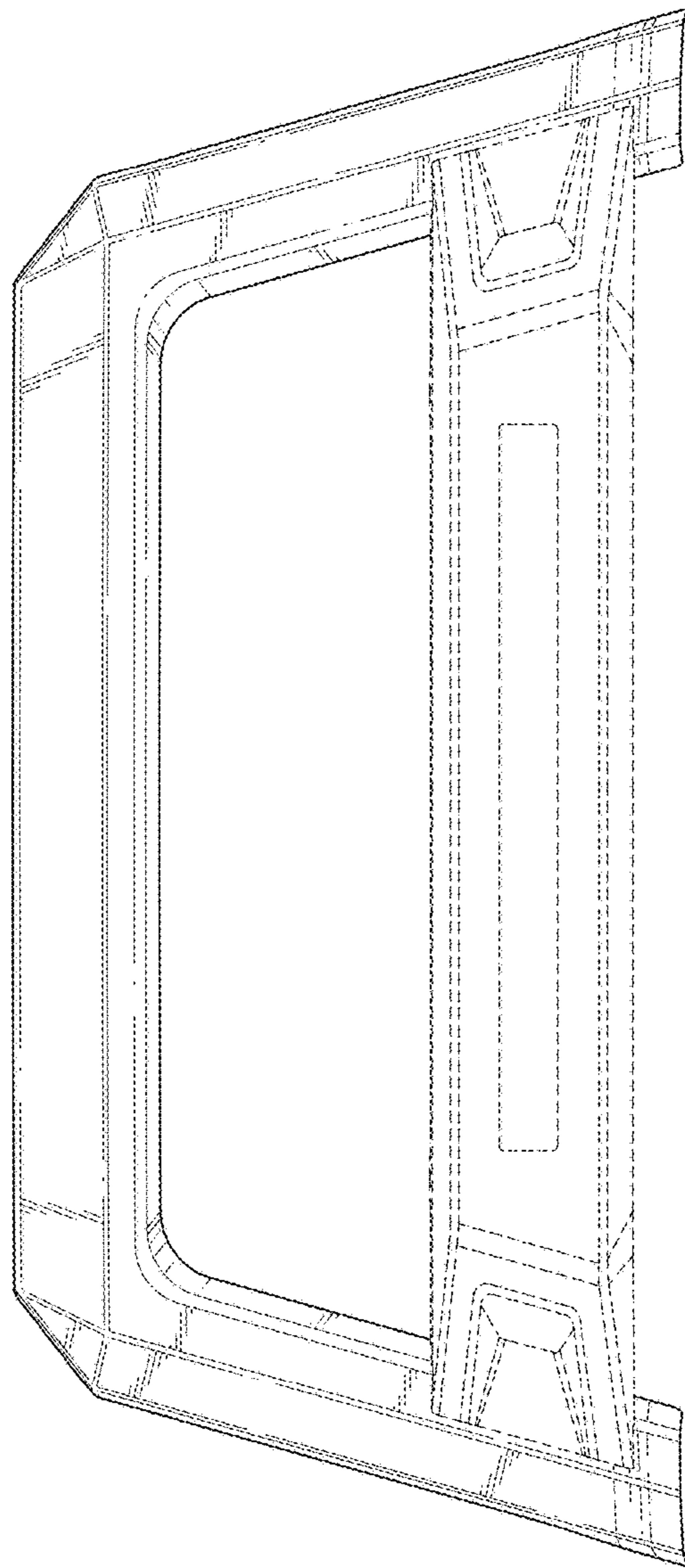


FIG. 3

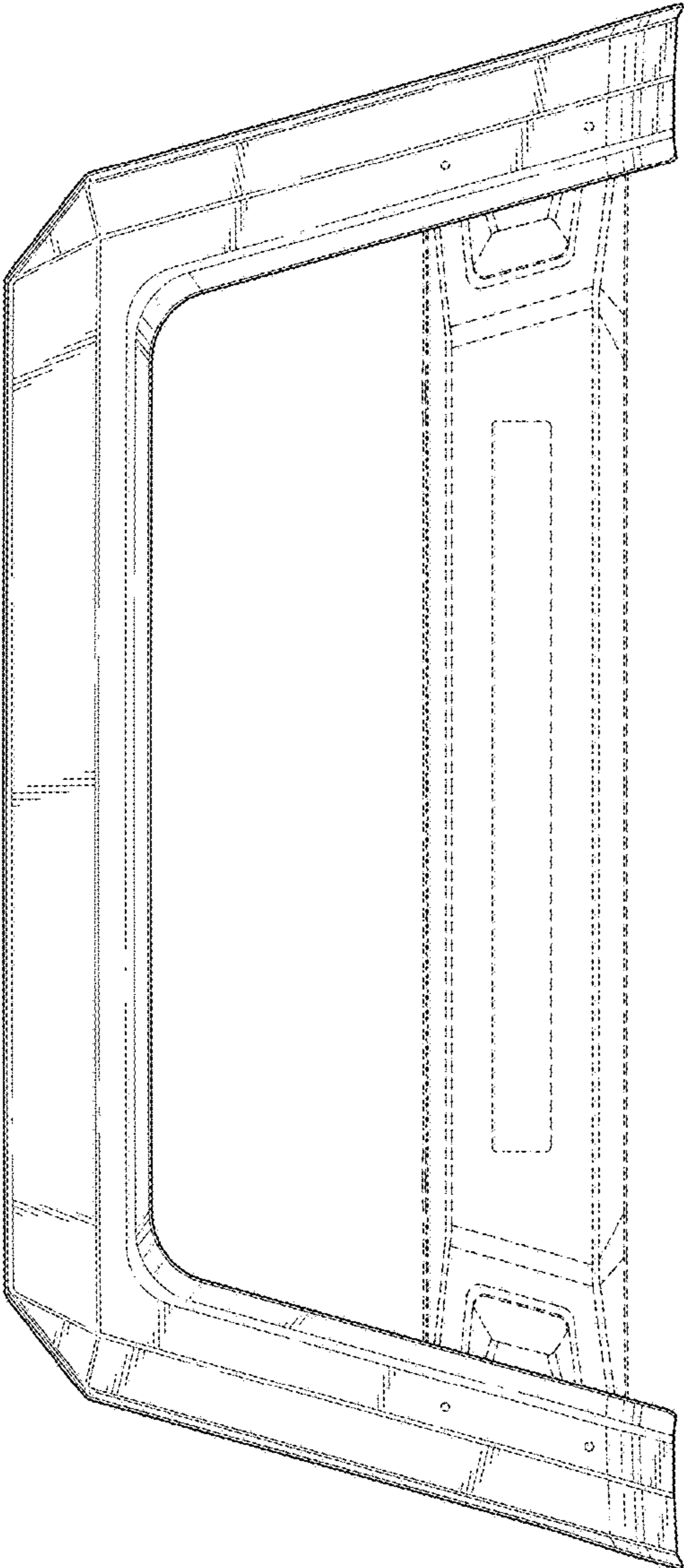


FIG. 4

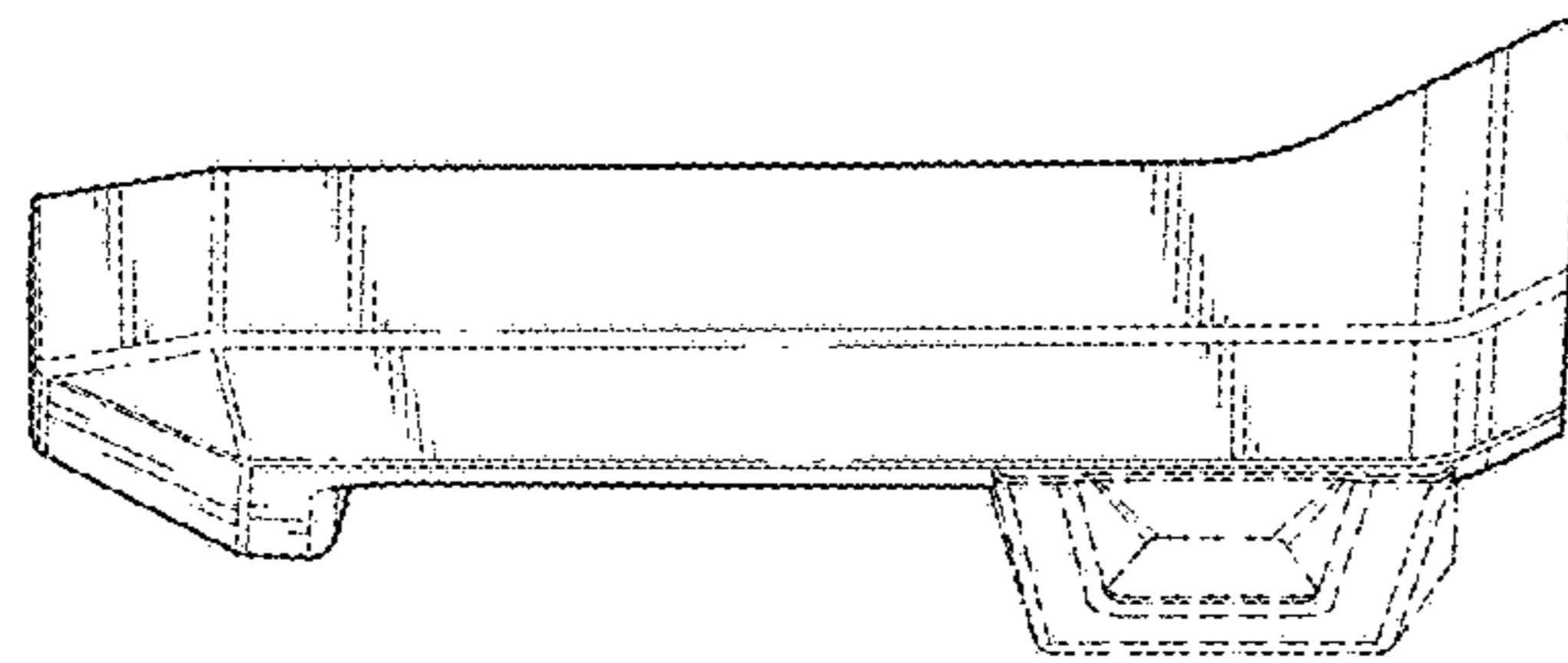


FIG. 6

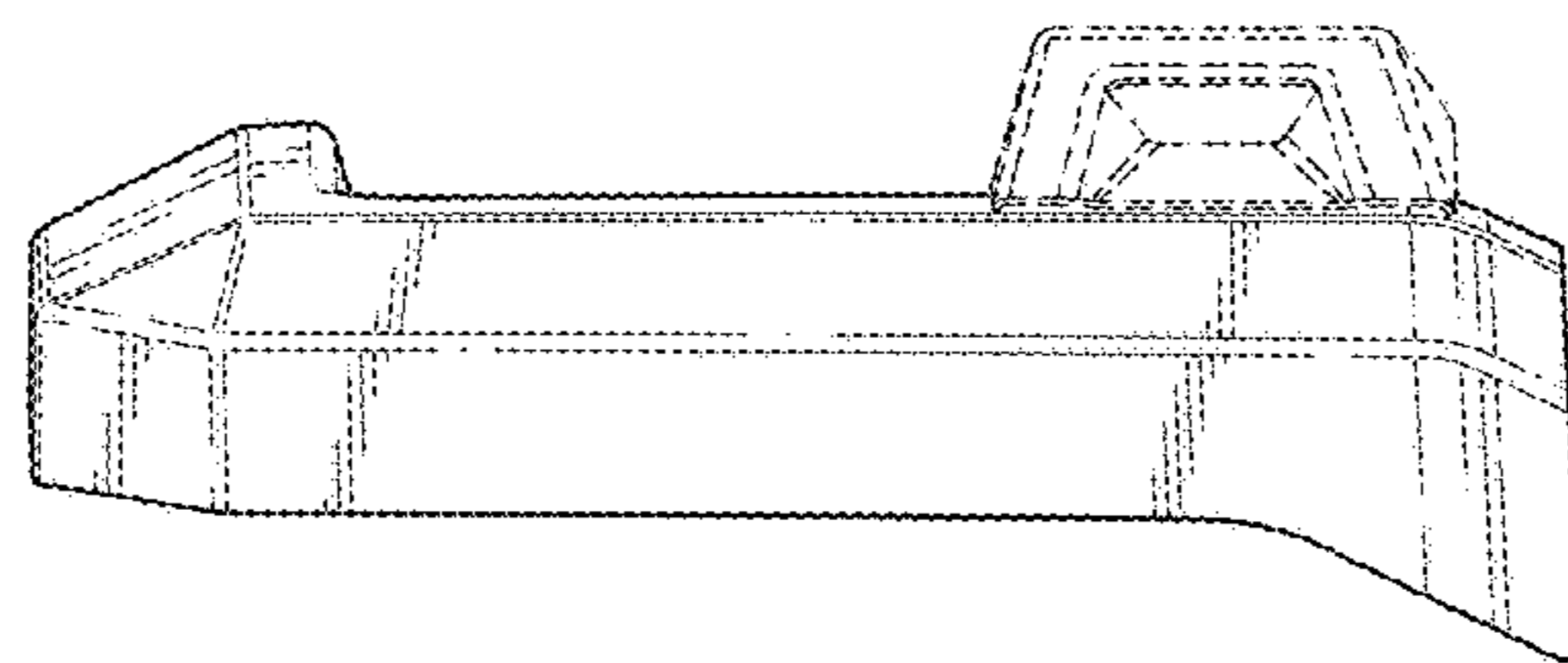


FIG. 5

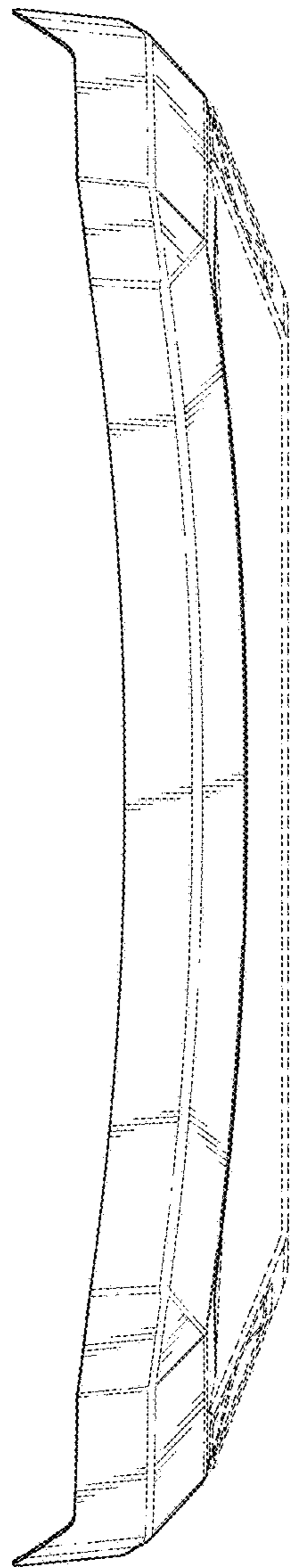


FIG. 7

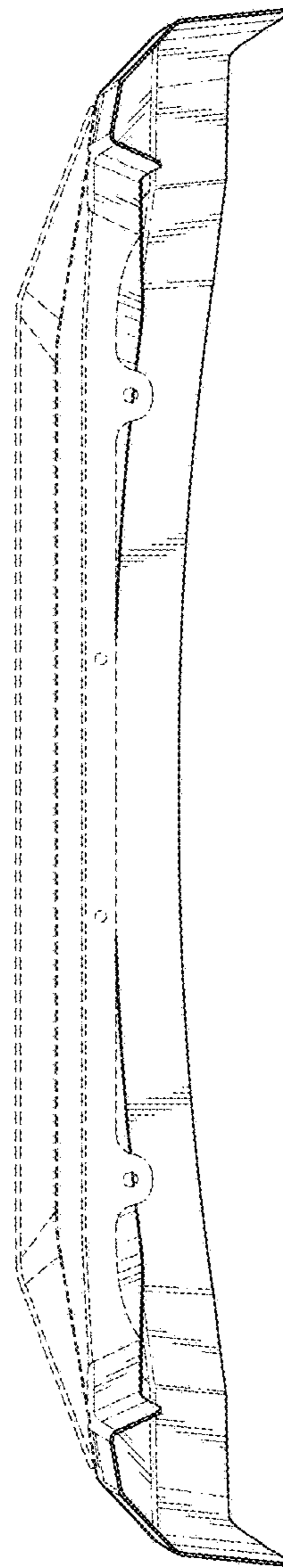


FIG. 8