

US00D862356S

(12) **United States Design Patent** (10) **Patent No.:** **US D862,356 S**  
**Ceccarelli** (45) **Date of Patent:** **\*\* Oct. 8, 2019**

(54) **MARINE ANCHOR NEST**  
(71) Applicant: **Charles J Ceccarelli**, Mountain Home, ID (US)  
(72) Inventor: **Charles J Ceccarelli**, Mountain Home, ID (US)  
(\*\*) Term: **15 Years**  
(21) Appl. No.: **29/632,657**  
(22) Filed: **Jan. 9, 2018**  
(51) **LOC (12) Cl.** ..... **12-06**  
(52) **U.S. Cl.**  
USPC ..... **D12/215**  
(58) **Field of Classification Search**  
USPC ..... D12/215, 300, 317; D8/356  
CPC ..... B63B 21/22; B63B 21/44; B63B 21/16  
See application file for complete search history.

*Primary Examiner* — Michelle E. Wilson  
*Assistant Examiner* — Clese Moore, Jr.  
(74) *Attorney, Agent, or Firm* — Charles R. Clark

(57) **CLAIM**

I claim the ornamental design for a marine anchor nest, as shown and described.

**DESCRIPTION**

FIG. 1 is a front left perspective view from above showing my new design for a marine anchor nest in a closed position; FIG. 2 is a front left perspective view from above of the marine anchor nest of FIG. 1 in an open position; FIG. 3 is a front right perspective view from above of the marine anchor nest of FIGS. 1-2 in a closed position; FIG. 4 is a right side view of the marine anchor nest of FIGS. 1-3 in a closed position; FIG. 5 is a left side view of the marine anchor nest of FIGS. 1-4 in a closed position; FIG. 6 is a rear view of the marine anchor nest of FIGS. 1-5 in a closed position; FIG. 7 is a rear right perspective view from below of the marine anchor nest of FIGS. 1-6 in a closed position; FIG. 8 is a rear right perspective view from below of the marine anchor nest of FIGS. 1-7 in an open position; FIG. 9 is a bottom view of the marine anchor nest of FIGS. 1-8 in a closed position; FIG. 10 is a top view of the marine anchor nest of FIGS. 1-9 in a closed position; FIG. 11 is a front view of the marine anchor nest of FIGS. 1-10 in a closed position; and, FIG. 12 is a front left perspective in use view from above of the marine anchor nest of FIGS. 1-11 in a closed position; the broken line showing of an exemplar marine anchor forms no part of the claimed design.

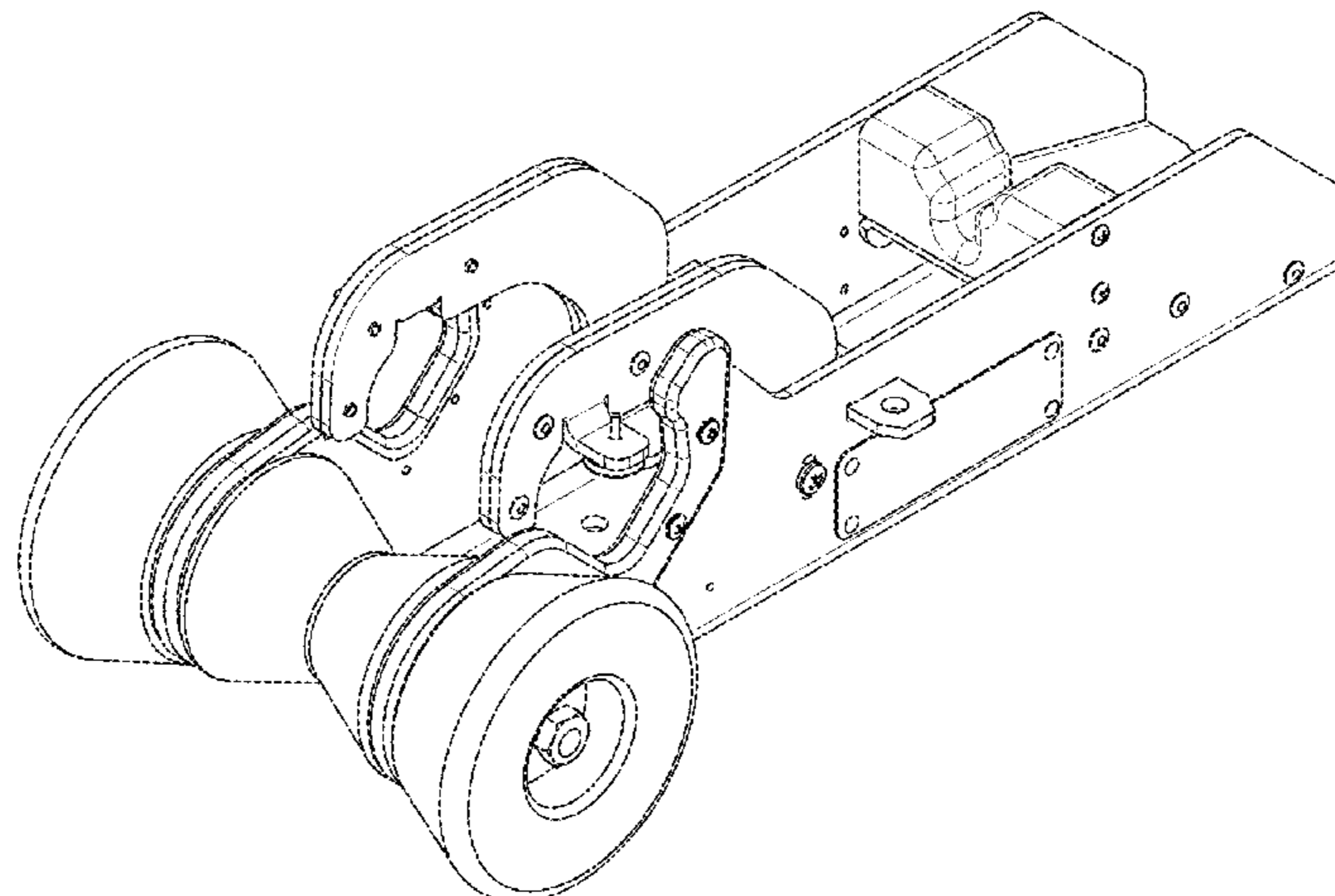
(56) **References Cited**

**U.S. PATENT DOCUMENTS**

2,651,277 A \* 9/1953 Jenschak ..... B63B 21/44  
114/299  
2,764,116 A \* 9/1956 Brewer ..... B63B 21/22  
114/299  
3,082,730 A \* 3/1963 Good ..... B63B 21/22  
114/210  
3,331,349 A \* 7/1967 Oglesby ..... B63B 21/16  
114/210  
3,952,683 A \* 4/1976 Eudy ..... B63B 21/22  
114/210  
4,248,171 A \* 2/1981 Barbour ..... B63B 21/22  
114/210  
4,261,281 A \* 4/1981 Petersen ..... B63B 21/44  
114/304  
D259,240 S \* 5/1981 Myron ..... D12/317  
D259,329 S \* 5/1981 Barbour ..... D12/317  
D259,931 S \* 7/1981 Wentz ..... D12/215  
4,655,158 A \* 4/1987 Holder ..... B63B 21/22  
114/297  
5,996,524 A \* 12/1999 Johnson ..... B63B 21/22  
114/210

(Continued)

**1 Claim, 6 Drawing Sheets**



(56)

**References Cited**

U.S. PATENT DOCUMENTS

7,299,759	B2 *	11/2007	Francis	.....	B63B 15/00
					114/210
D591,141	S *	4/2009	Miller	.....	D8/336
2015/0166146	A1 *	6/2015	Kutsen	.....	B63B 21/22
					114/210

\* cited by examiner

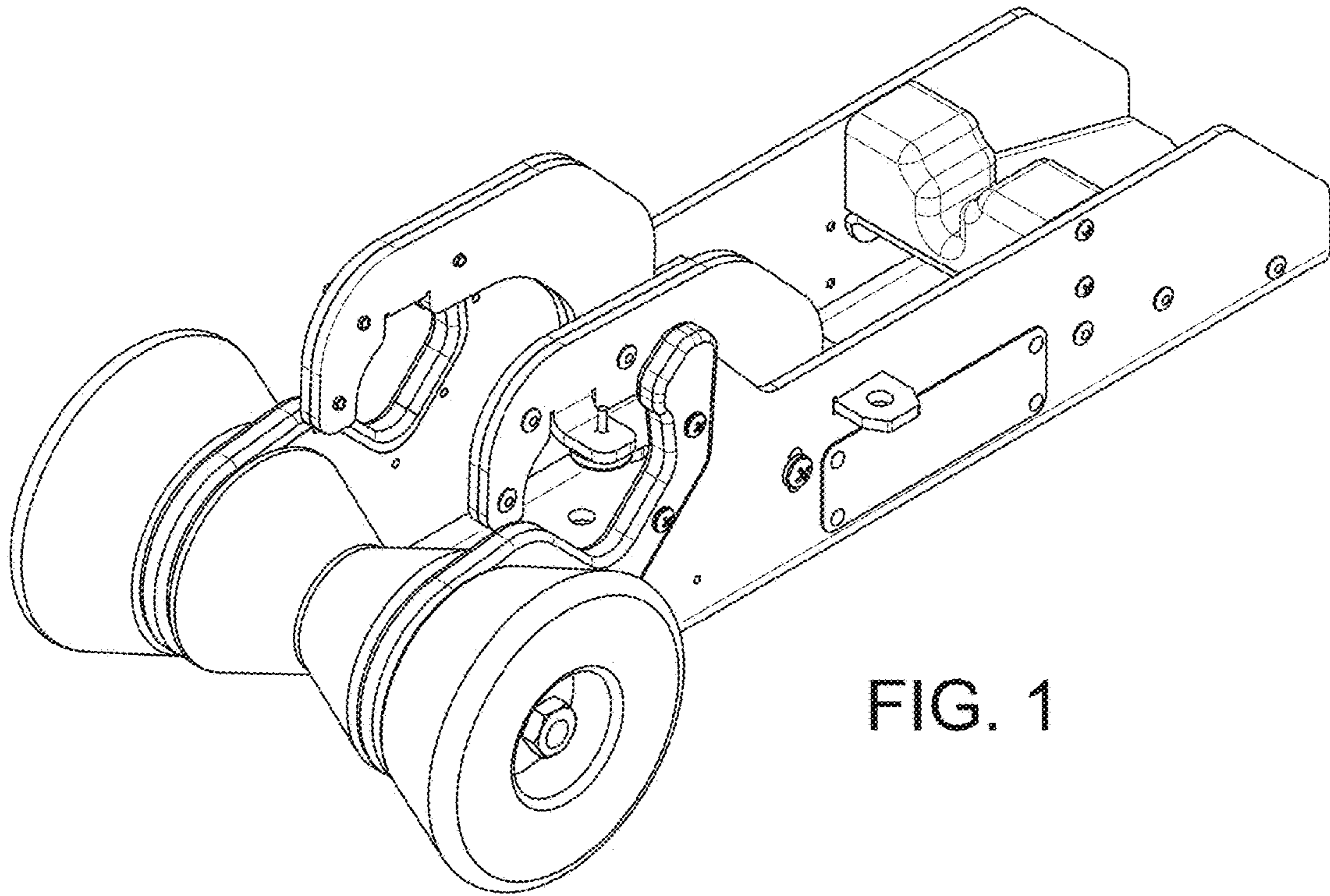


FIG. 1

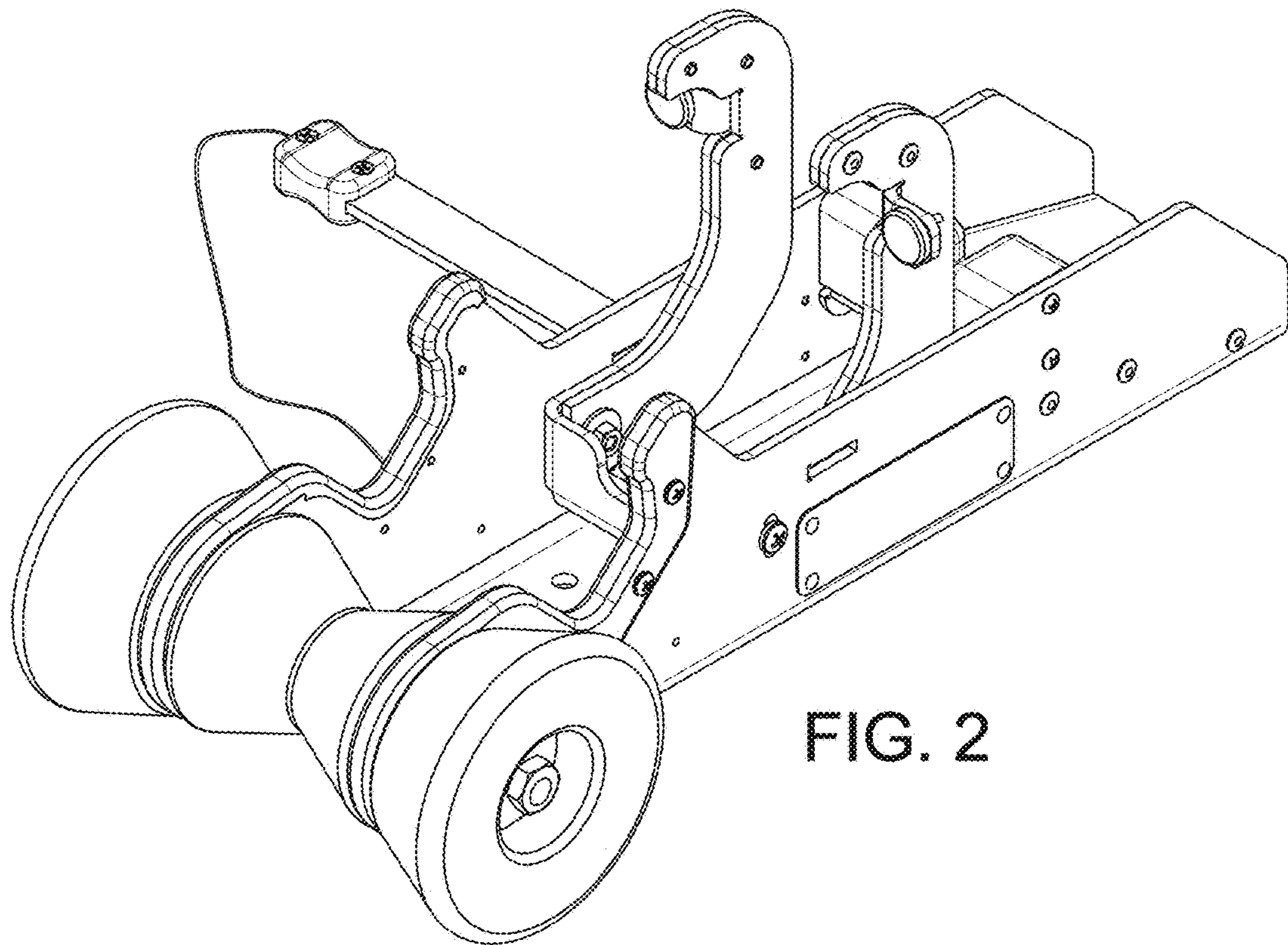


FIG. 2

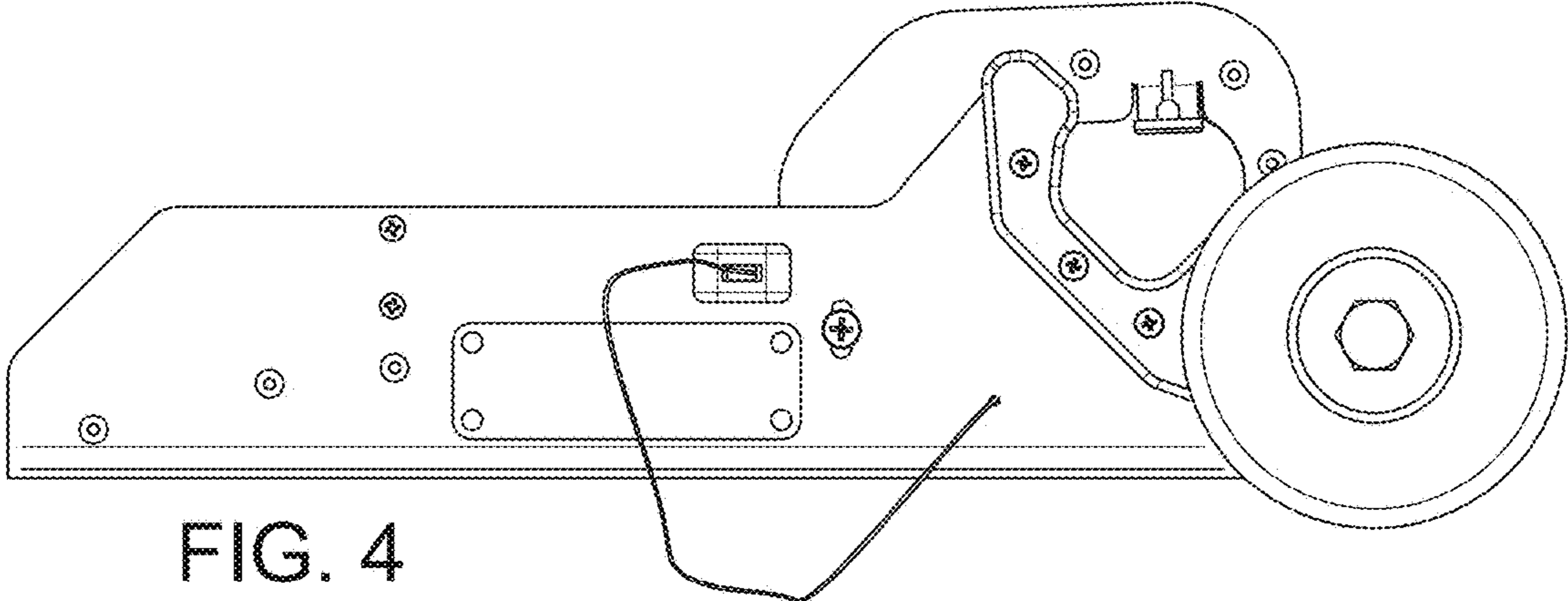
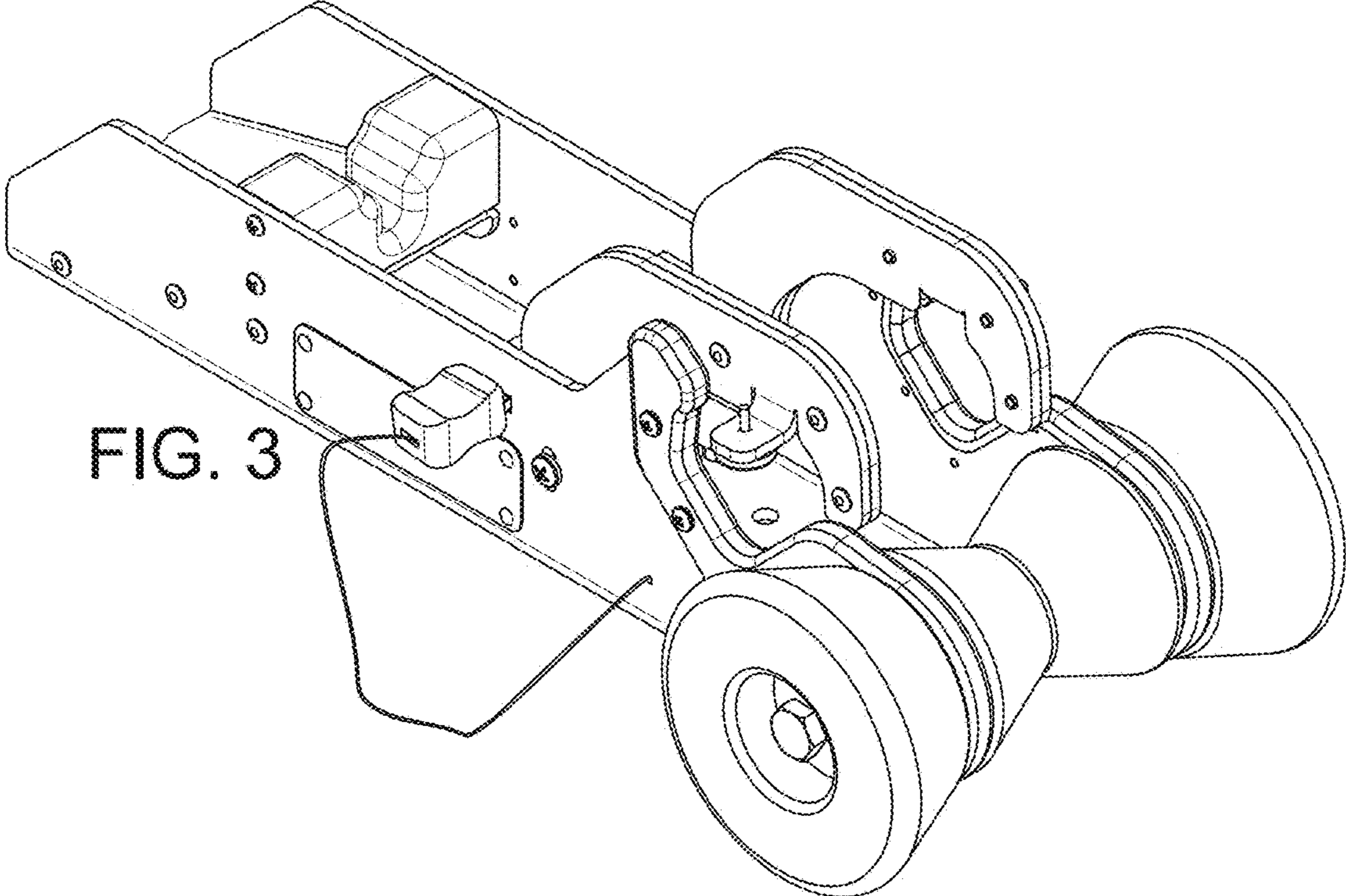


FIG. 4

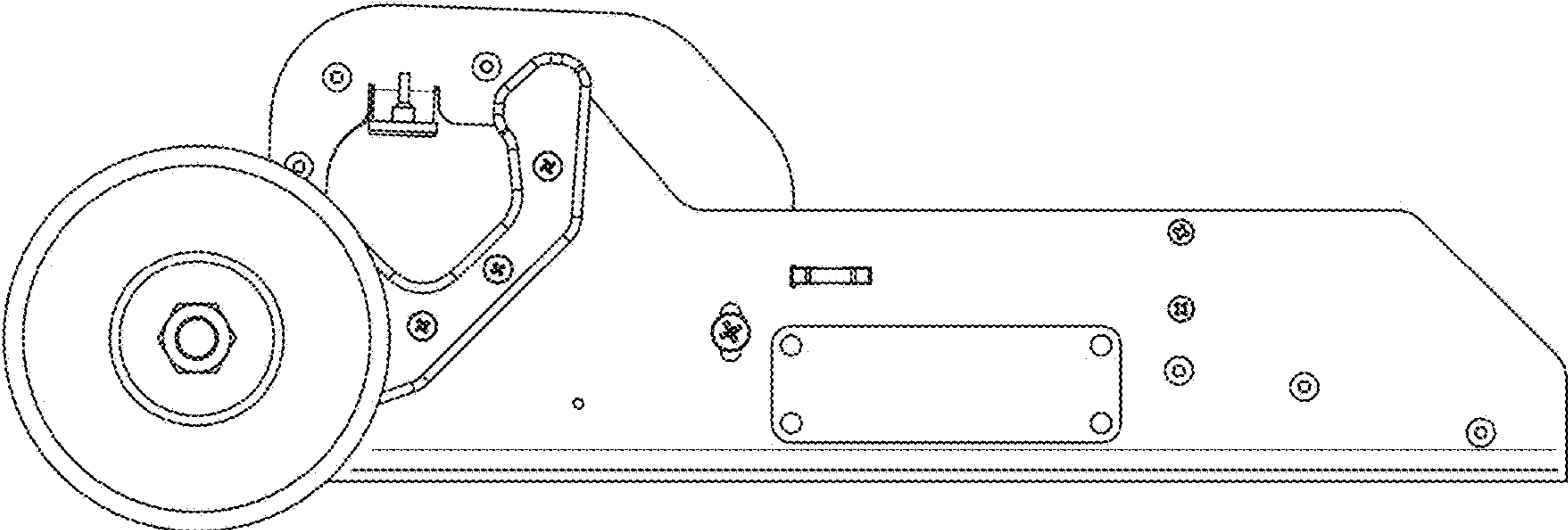


FIG. 5

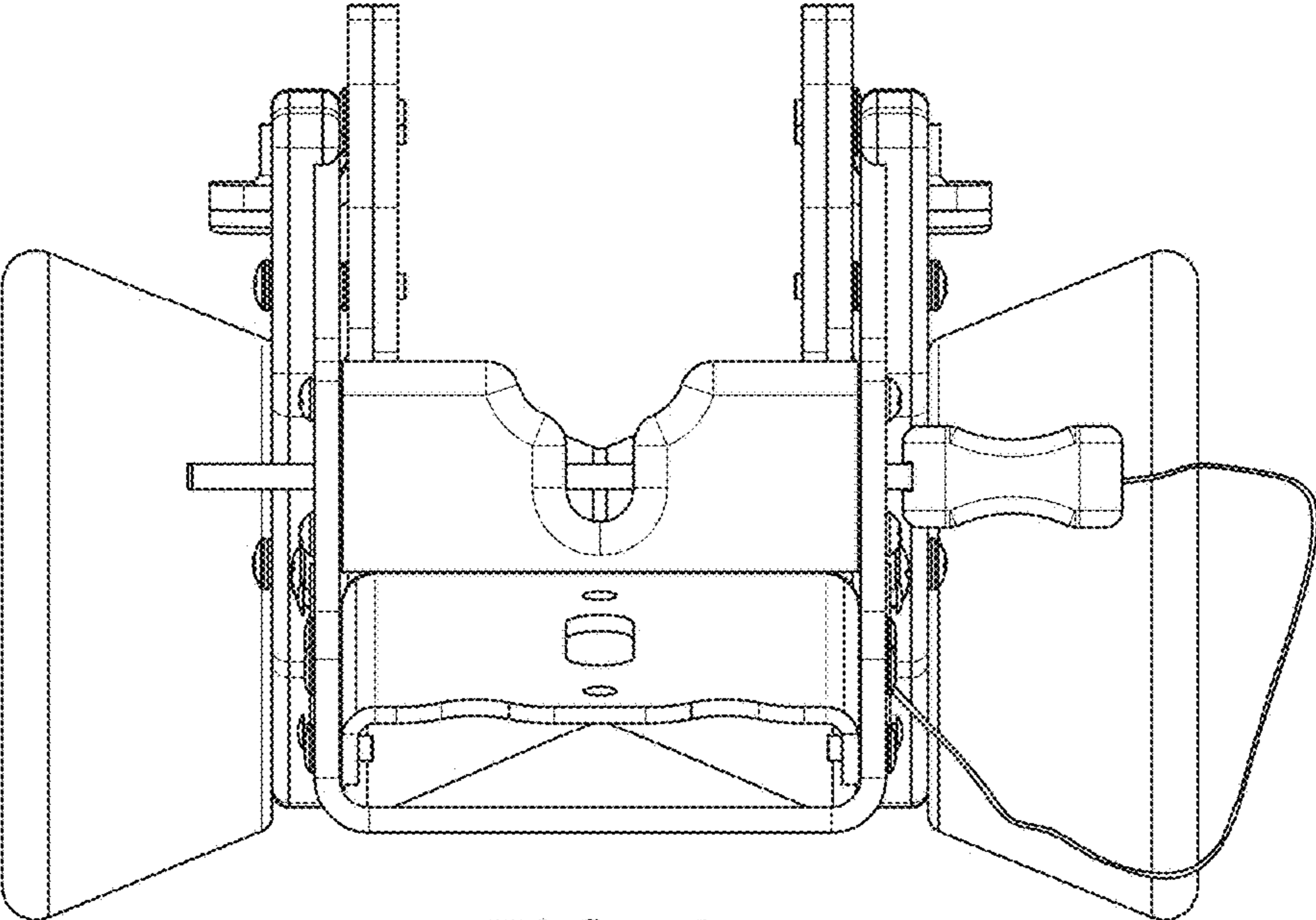
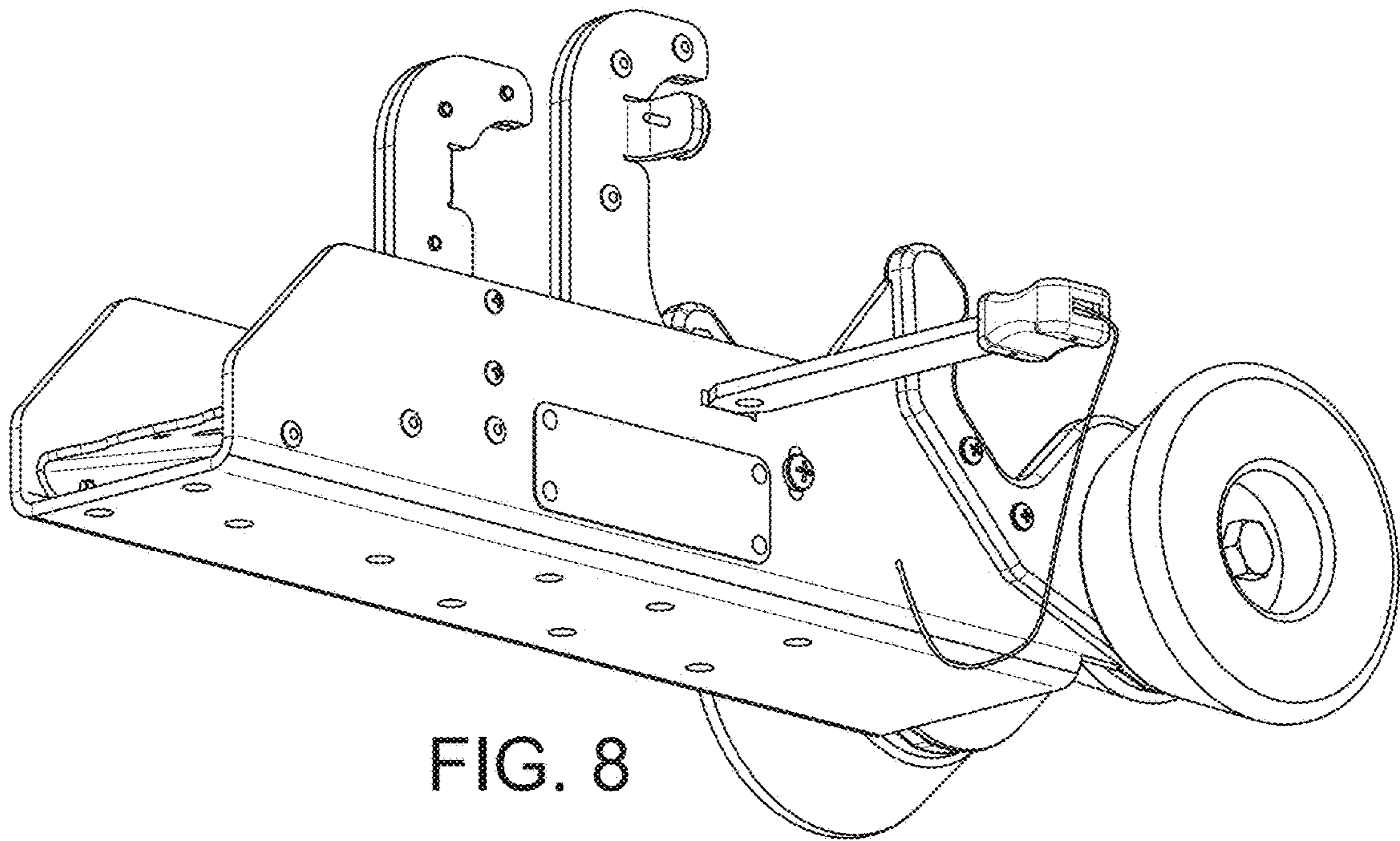
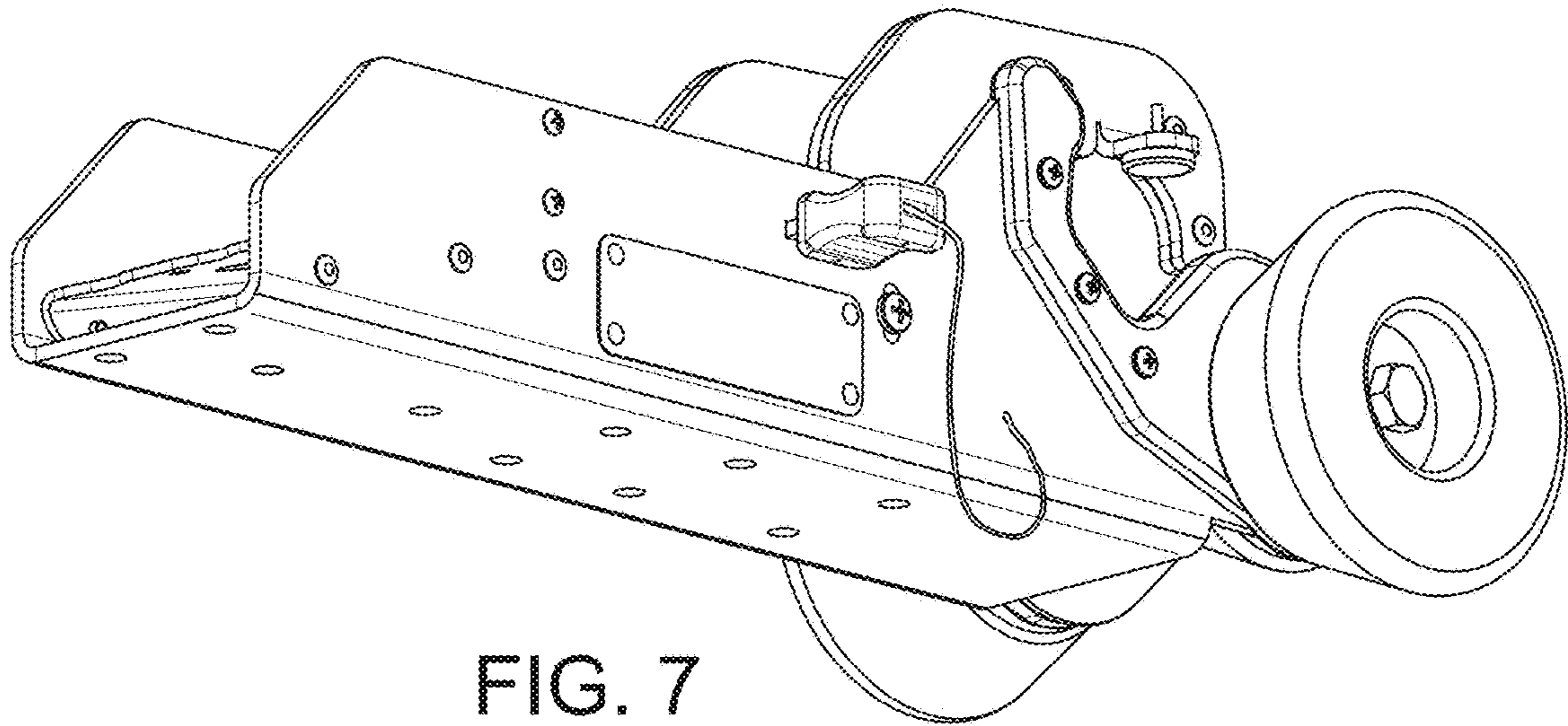


FIG. 6



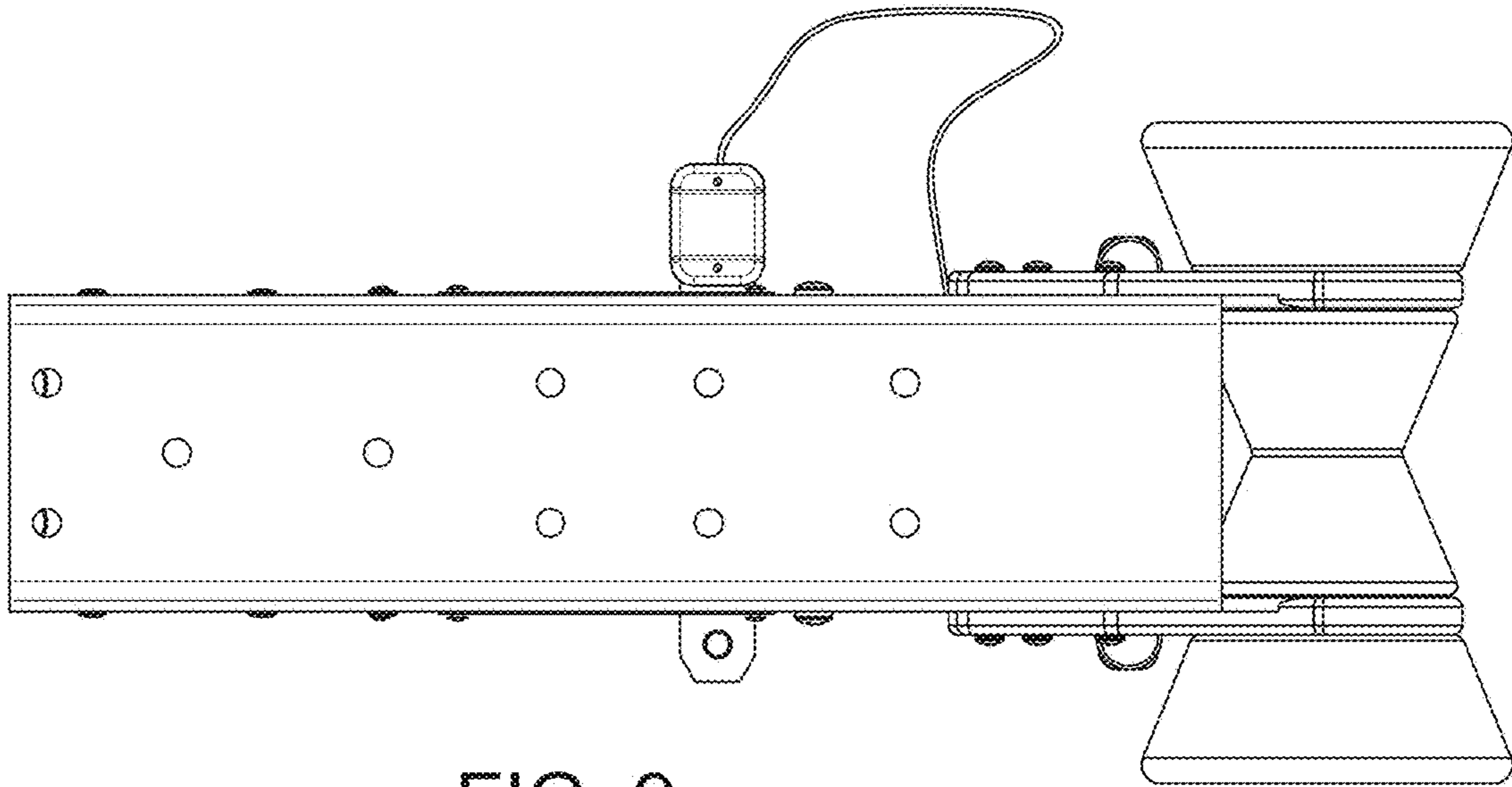


FIG. 9

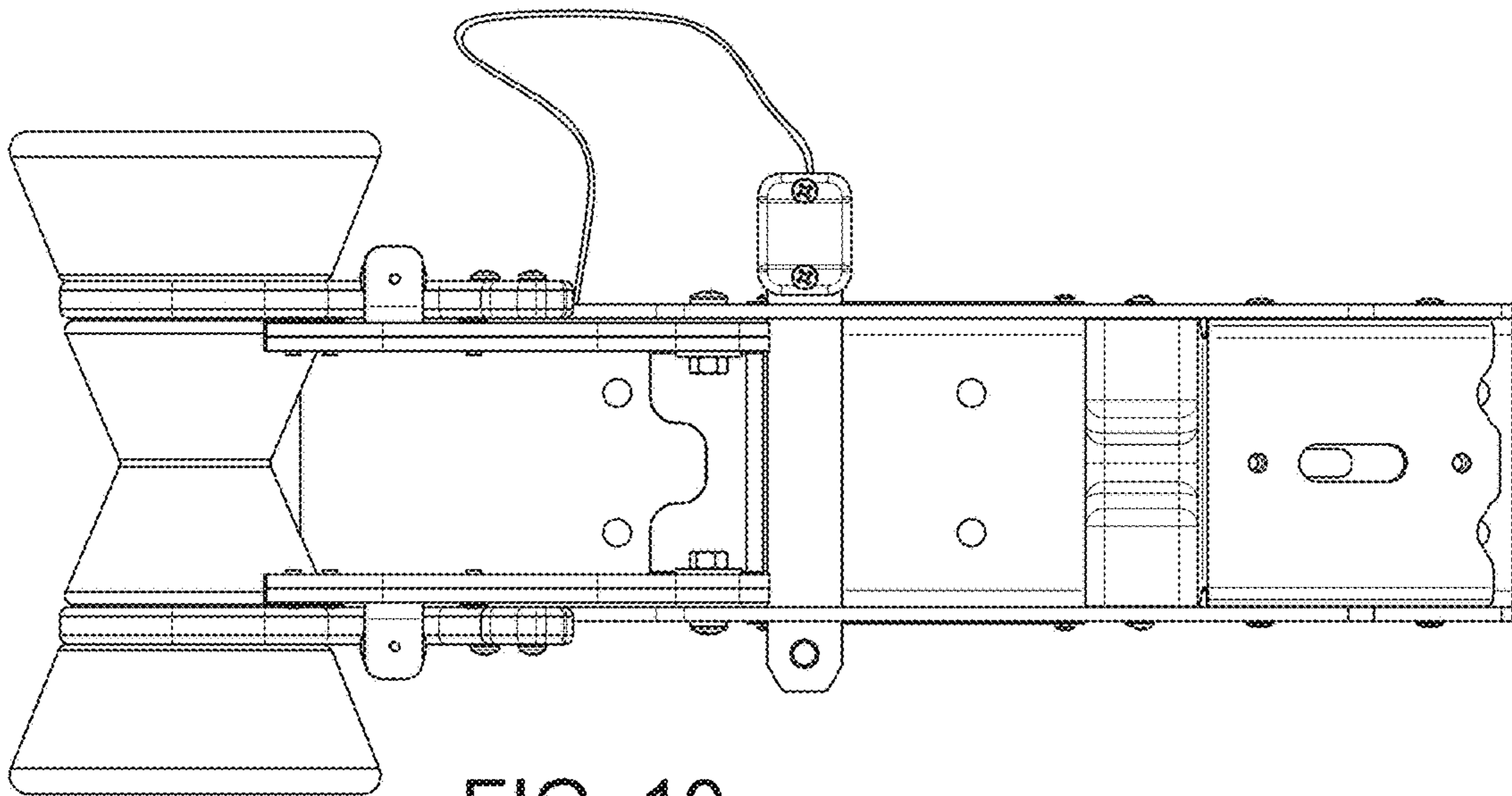


FIG. 10

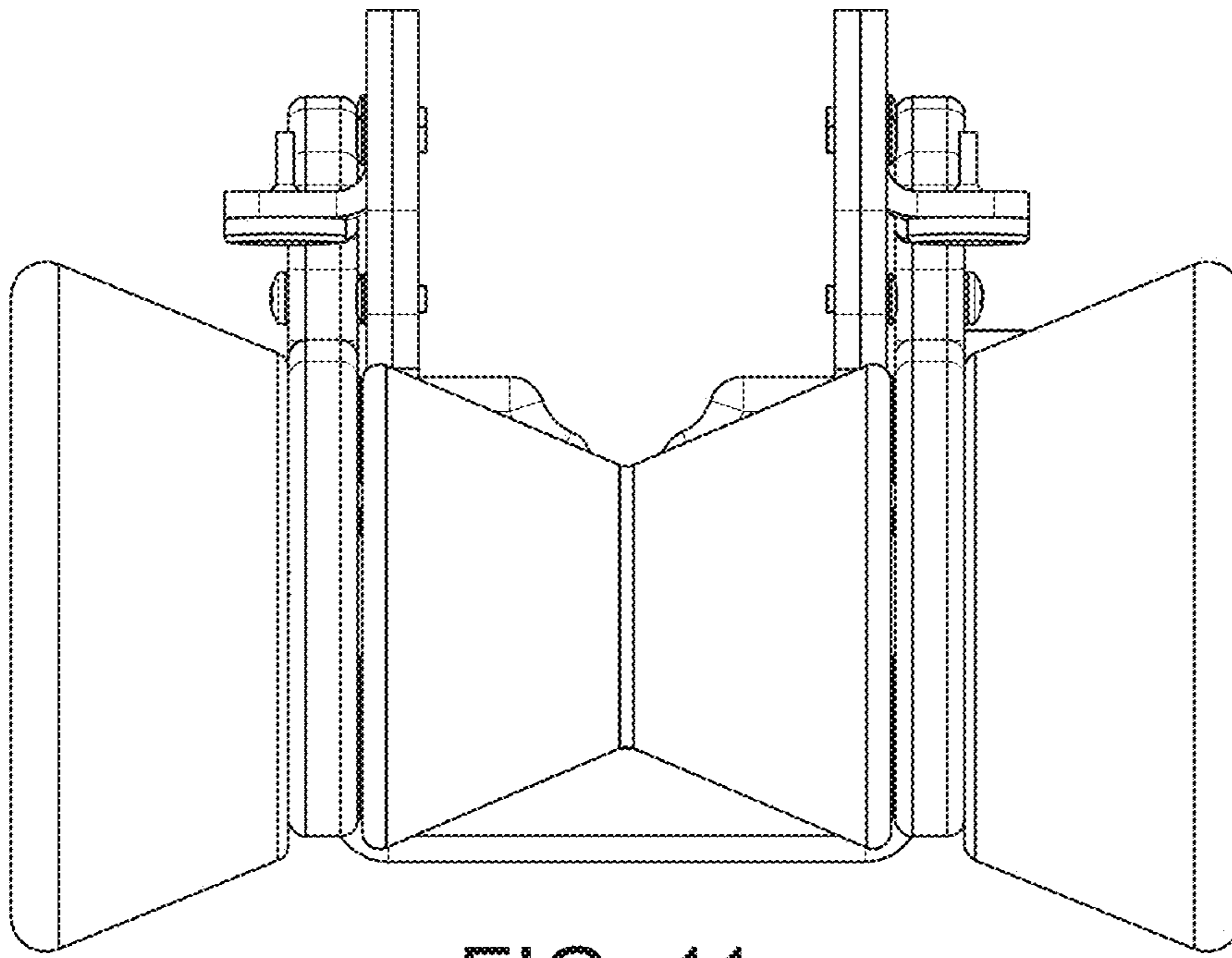


FIG. 11

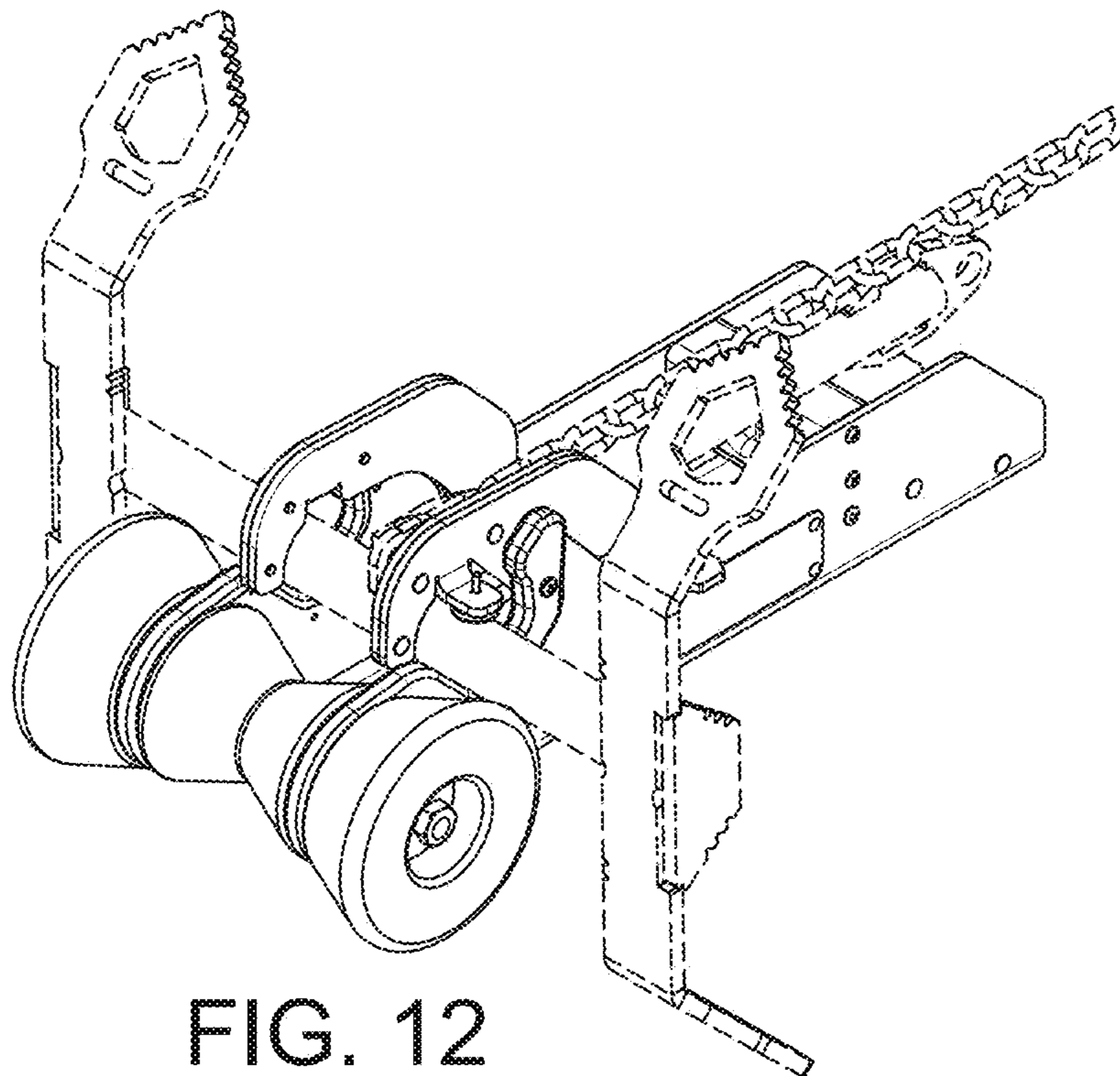


FIG. 12