



US00D862354S

(12) **United States Design Patent**  
**Stroda**

(10) **Patent No.:** **US D862,354 S**

(45) **Date of Patent:** **\*\* Oct. 8, 2019**

(54) **WHEEL**

(71) Applicant: **Techart Automobildesign GmbH,**  
Leonberg (DE)

(72) Inventor: **Thorsten Stroda,** Leonberg (DE)

(73) Assignee: **Techart Automobildesign GmbH,**  
Leonberg (DE)

(\*\*) Term: **15 Years**

(21) Appl. No.: **29/647,419**

(22) Filed: **May 12, 2018**

(30) **Foreign Application Priority Data**

Feb. 20, 2018 (EM) ..... 004717155-0001

(51) **LOC (12) Cl.** ..... **12-16**

(52) **U.S. Cl.**  
USPC ..... **D12/209**

(58) **Field of Classification Search**

USPC ..... D12/204-213  
CPC .... B60B 7/00; B60B 7/02; B60B 7/04; B60B  
7/01; B60B 7/06; B60B 3/02; B60B 3/04;  
B60B 3/06; B60B 3/10; B60B 1/00;  
B60B 1/08; B60B 1/10; B60B 1/12

See application file for complete search history.

(56) **References Cited**

U.S. PATENT DOCUMENTS

D256,687 S *	9/1980	Zielinski .....	D12/205
D539,721 S *	4/2007	Ettensberger .....	D12/209
D695,199 S *	12/2013	Garbas .....	D12/211
D721,630 S *	1/2015	McLeod .....	D12/211
D765,007 S *	8/2016	Chung .....	D12/211
D791,034 S *	7/2017	Rueckheim .....	D12/209
D824,318 S *	7/2018	Wheel .....	D12/211

\* cited by examiner

*Primary Examiner* — Stacia A Cadmus

(74) *Attorney, Agent, or Firm* — Michael Soderman

(57) **CLAIM**

The ornamental design for a wheel, as shown.

**DESCRIPTION**

FIG. 1 is a front view of a wheel, showing my new design;  
FIG. 2 is a side view thereof;

FIG. 3 is a right perspective view thereof;

FIG. 4 is a detailed perspective view of the spokes of the  
wheel;

FIG. 5 is another detailed perspective view of the spokes of  
the wheel; and,

FIG. 6 is a left perspective view of the wheel.

**1 Claim, 6 Drawing Sheets**

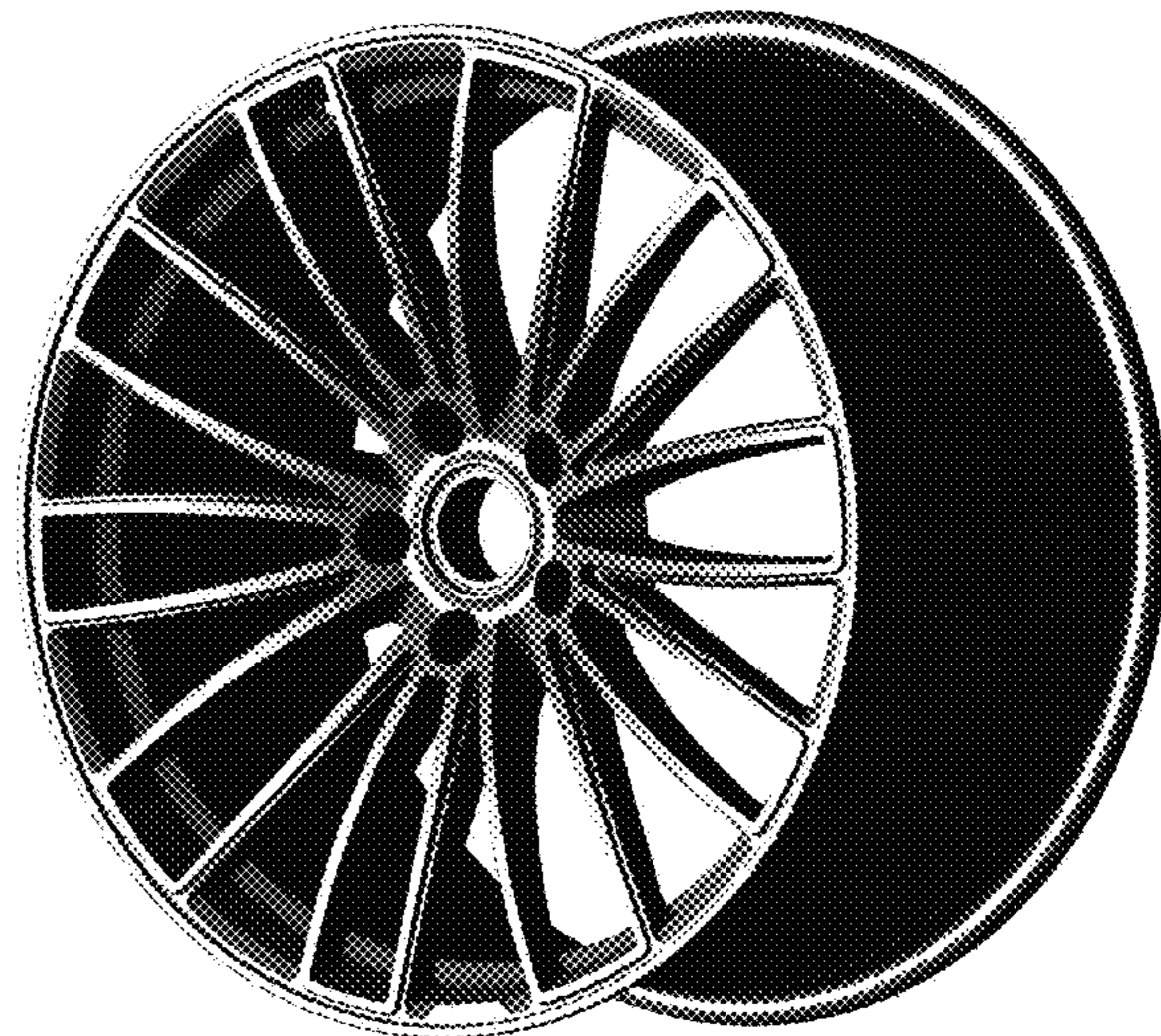
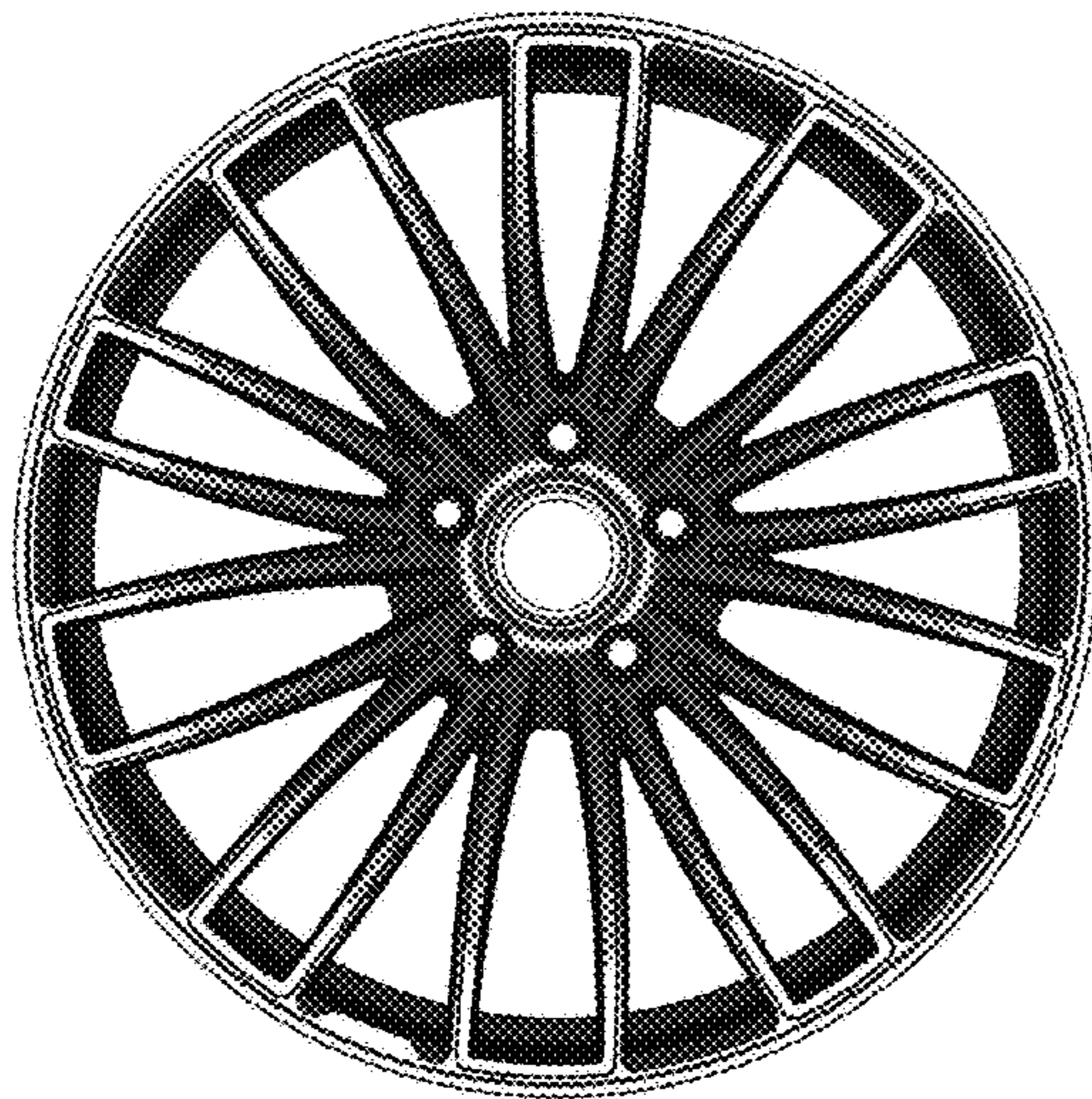




Fig. 1

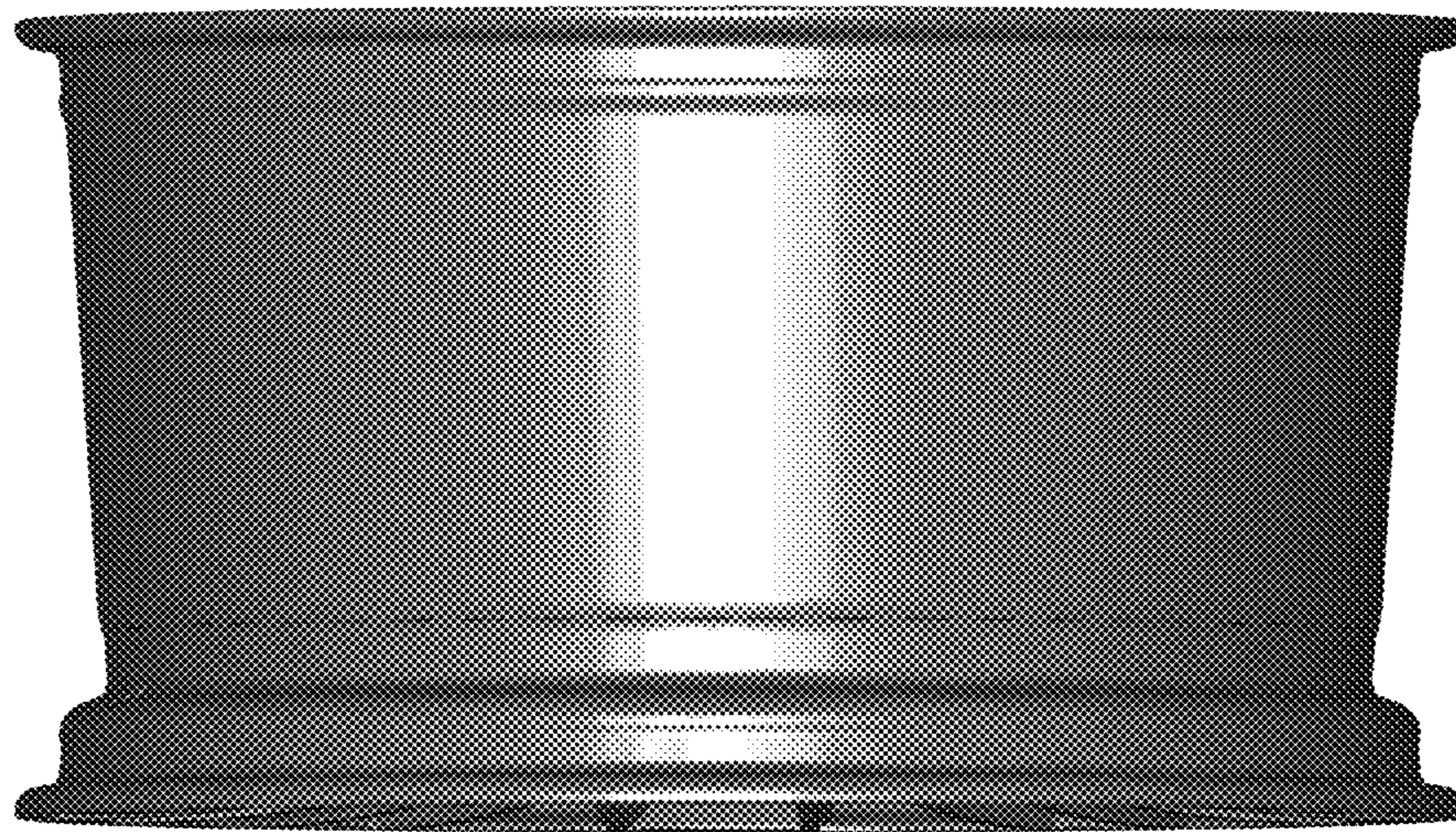


Fig. 2



Fig. 3

Fig. 4



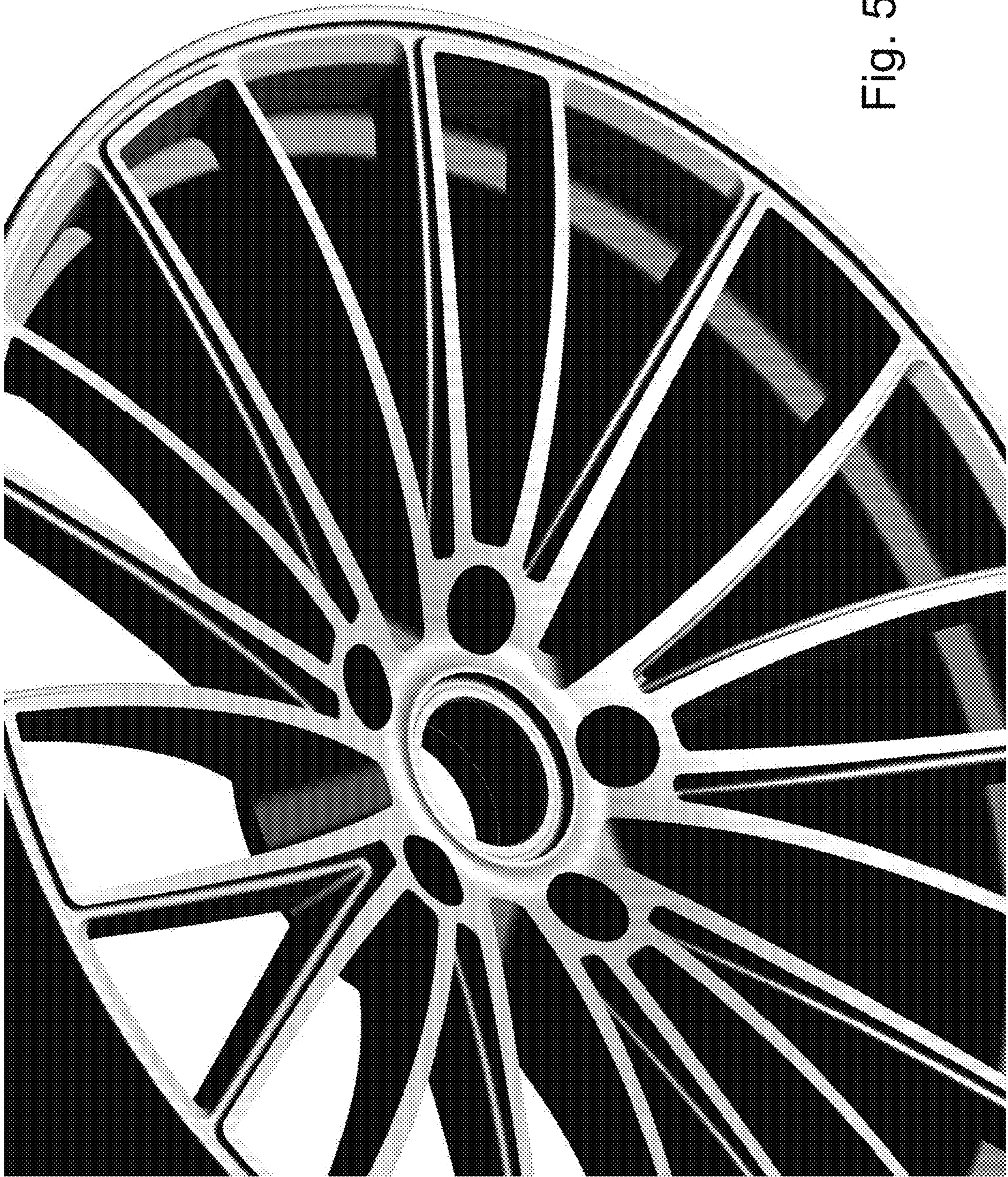


Fig. 5

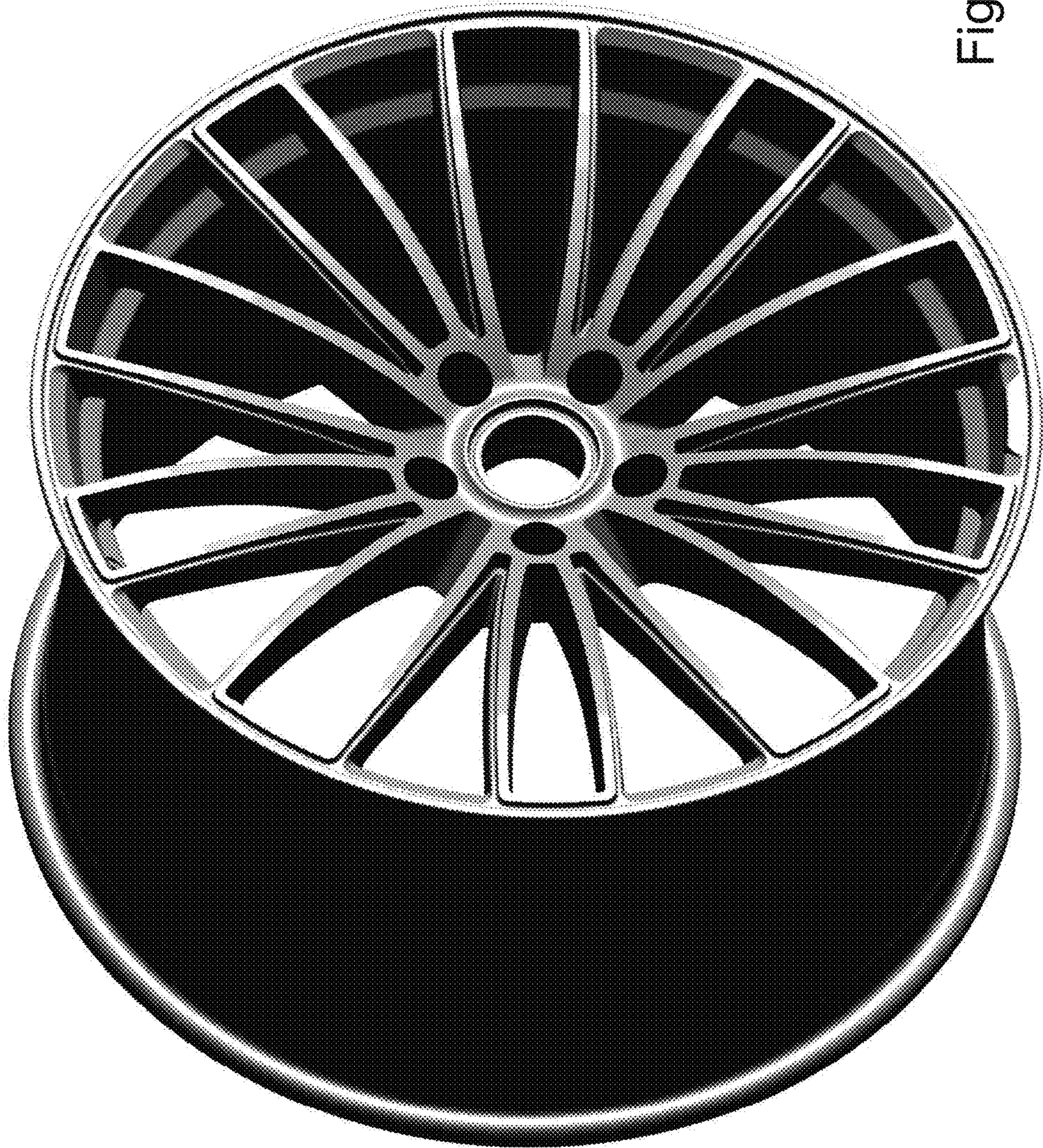


Fig. 6