

US00D862350S

(12) **United States Design Patent**
Woodhouse et al.

(10) **Patent No.:** **US D862,350 S**

(45) **Date of Patent:** **** Oct. 8, 2019**

(54) **VEHICLE WHEEL**

(71) Applicant: **Ford Global Technologies, LLC,**
Dearborn, MI (US)

(72) Inventors: **David Woodhouse,** Troy, MI (US);
Kemal Curic, Irvine, CA (US);
Benjamin Messmer, Ann Arbor, MI (US)

(73) Assignee: **Ford Global Technologies, LLC,**
Dearborn, MI (US)

(**) Term: **15 Years**

(21) Appl. No.: **29/641,744**

(22) Filed: **Mar. 23, 2018**

(51) **LOC (12) Cl.** **12-16**

(52) **U.S. Cl.**
USPC **D12/209**

(58) **Field of Classification Search**
USPC D12/204-213
CPC B60B 7/00; B60B 7/02; B60B 7/04; B60B
7/01; B60B 7/06; B60B 3/02; B60B 3/04;
B60B 3/06; B60B 3/10; B60B 1/00;
B60B 1/08; B60B 1/10; B60B 1/12
See application file for complete search history.

(56) **References Cited**

U.S. PATENT DOCUMENTS

D697,858 S * 1/2014 Kito D12/209
D754,048 S * 4/2016 Starr, Jr. D12/209

D759,565 S * 6/2016 Cybulski D12/209
D765,000 S * 8/2016 Song D12/209
D774,438 S * 12/2016 Valencia Pollex D12/209
D824,831 S * 8/2018 Oh D12/209
D826,821 S * 8/2018 Woodhouse D12/209
D827,542 S * 9/2018 Woodhouse D12/209
D831,556 S * 10/2018 Hodges D12/209

* cited by examiner

Primary Examiner — Stacia A Cadmus

(74) *Attorney, Agent, or Firm* — LeClairRyan

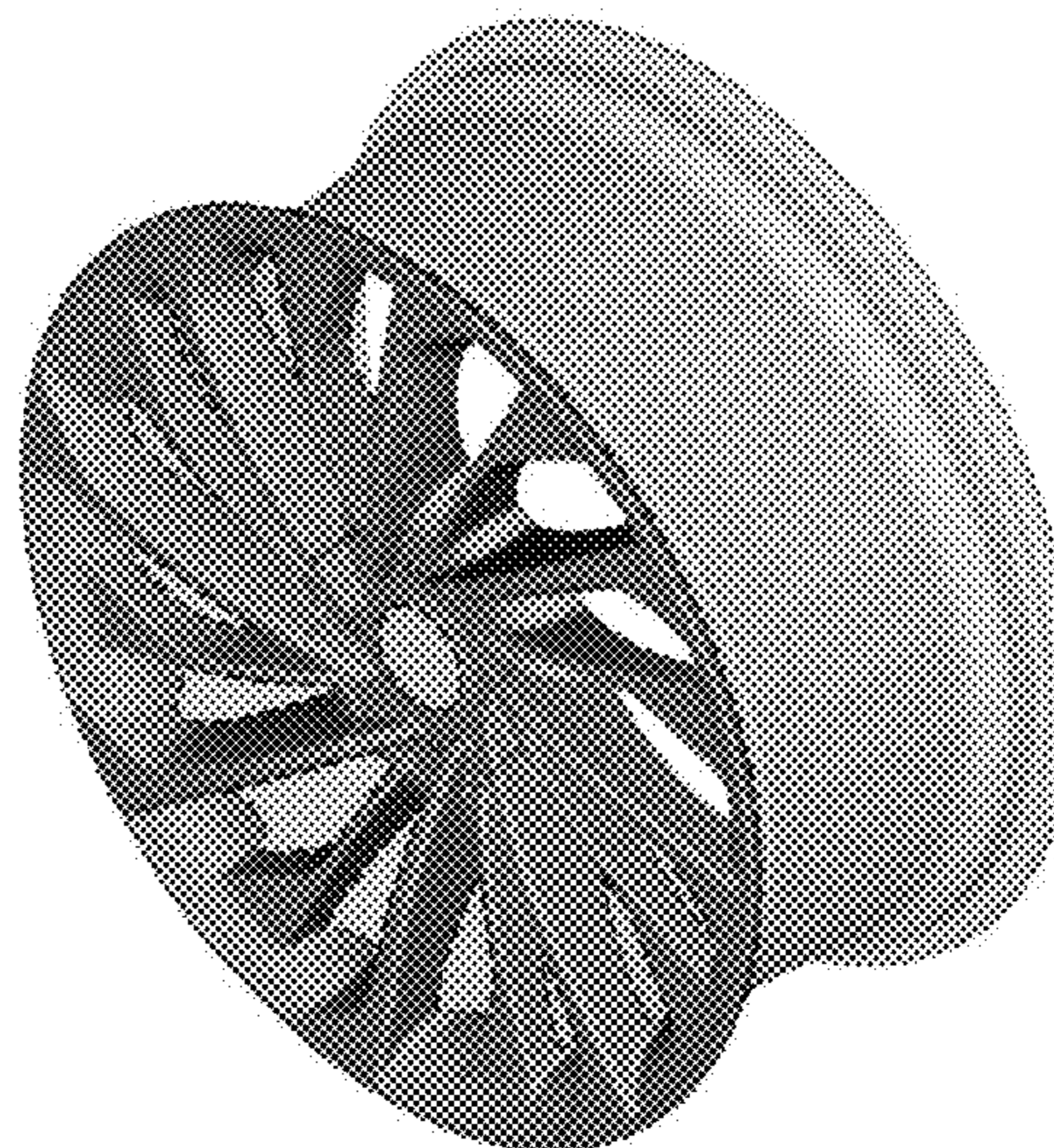
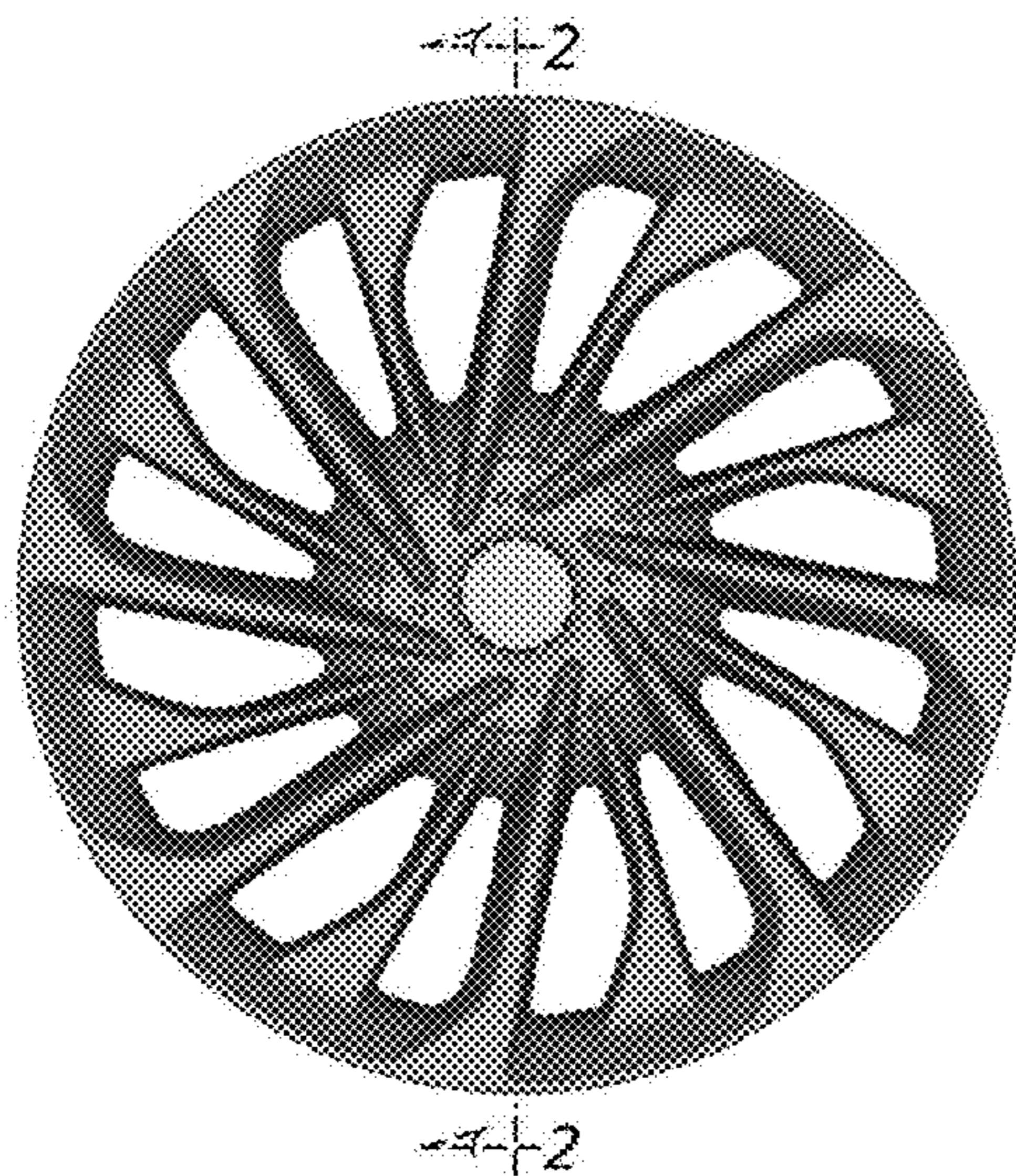
(57) **CLAIM**

The ornamental design for a vehicle wheel, as shown and described.

DESCRIPTION

FIG. 1 is a front view of a vehicle wheel showing our new design;
FIG. 2 is a cross sectional side view taken along line 2-2 of FIG. 1; and,
FIG. 3 is perspective view thereof.
Any broken lines represent an internal boundary of the design; the line itself and the area within form no part of the claim.
The lighter grey scale of FIGS. 2 and 3 represent disclaimed areas of the design.

1 Claim, 3 Drawing Sheets



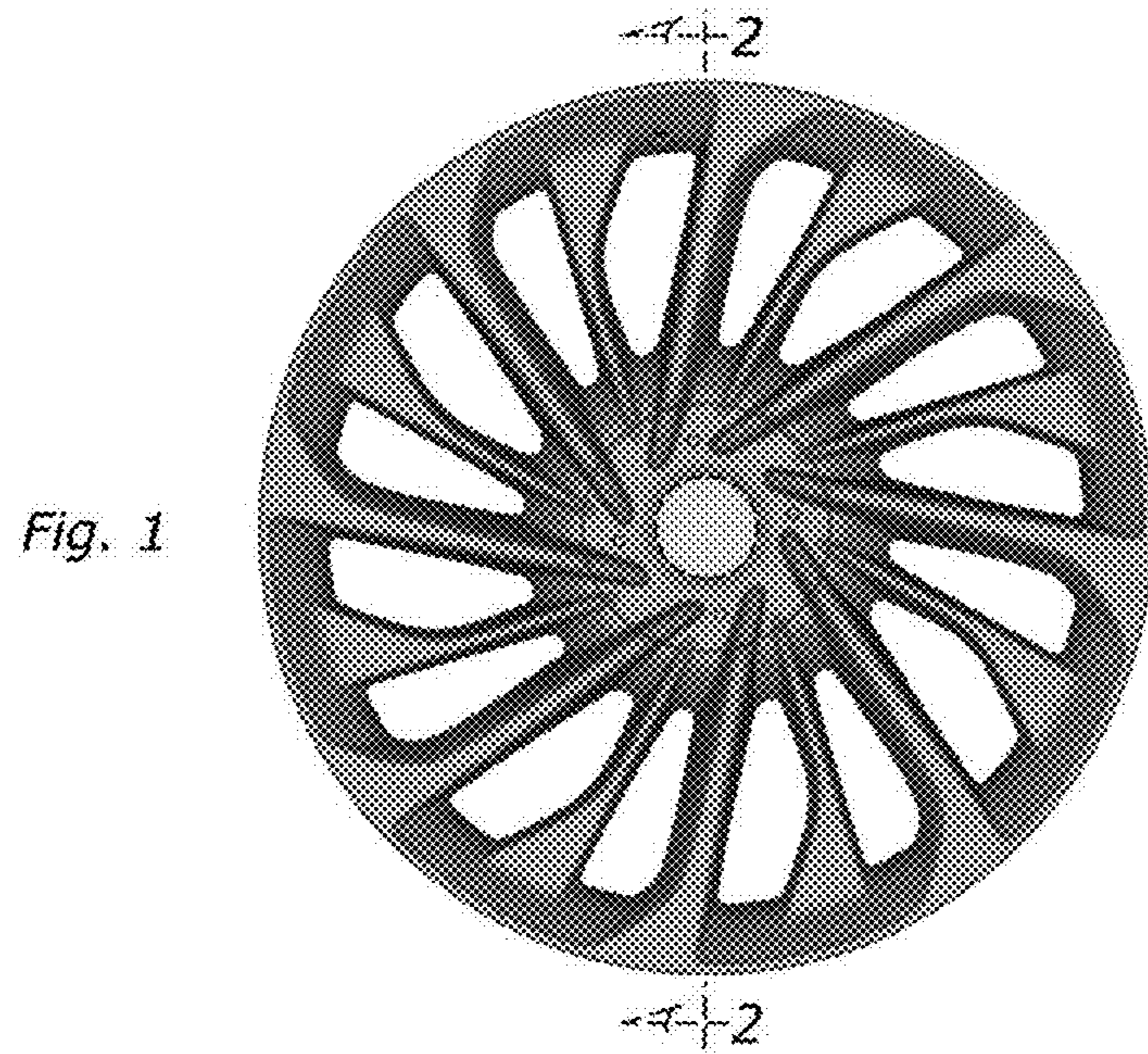


Fig. 2

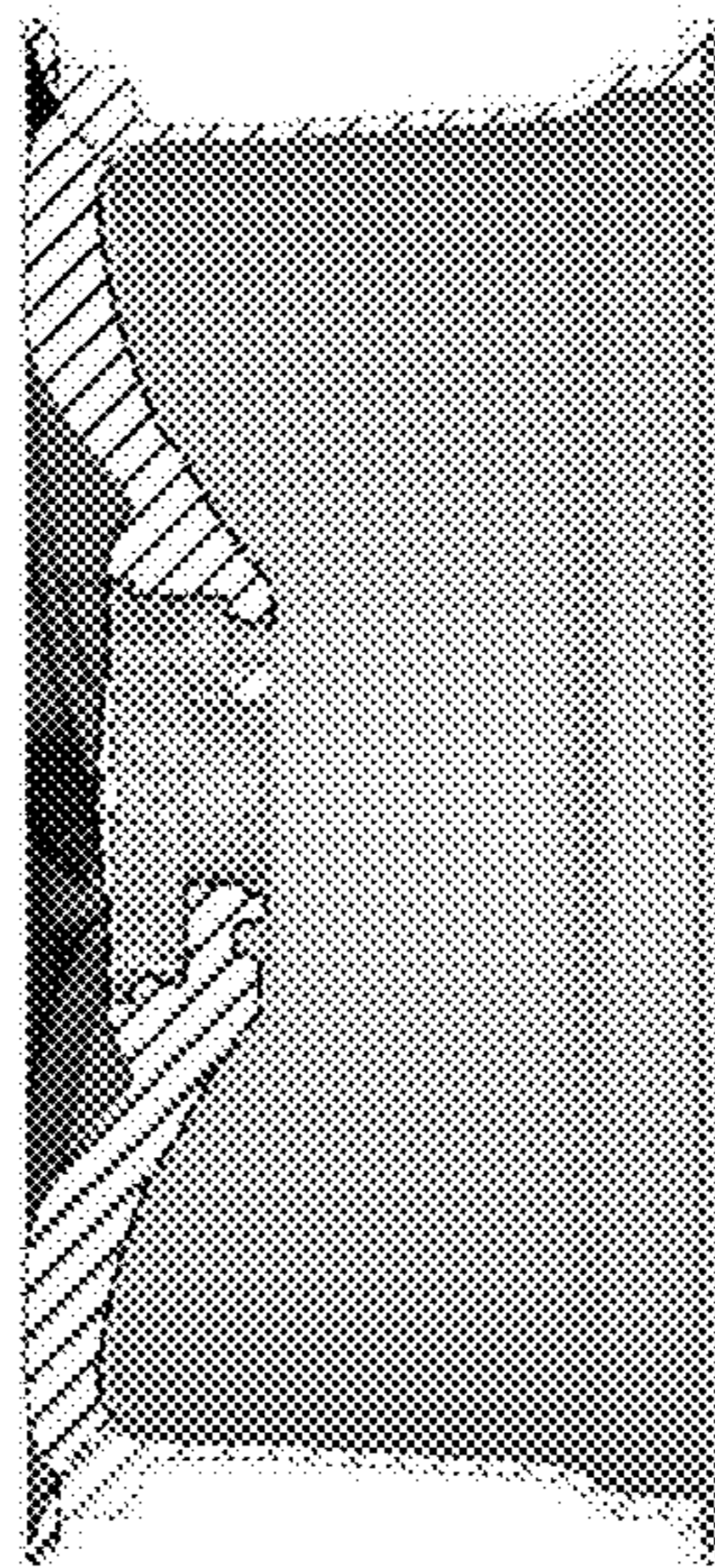


Fig. 3

