

US00D862348S

(12) **United States Design Patent**
Woodhouse et al.

(10) **Patent No.:** **US D862,348 S**

(45) **Date of Patent:** **** Oct. 8, 2019**

(54) **VEHICLE WHEEL**

(71) Applicant: **Ford Global Technologies, LLC**,
Dearborn, MI (US)

(72) Inventors: **David Woodhouse**, Troy, MI (US);
Kemal Curic, Irvine, CA (US);
Benjamin Messmer, Ann Arbor, MI
(US)

(73) Assignee: **Ford Global Technologies, LLC**,
Dearborn, MI (US)

(**) Term: **15 Years**

(21) Appl. No.: **29/641,738**

(22) Filed: **Mar. 23, 2018**

(51) **LOC (12) Cl.** **12-16**

(52) **U.S. Cl.**
USPC **D12/209**

(58) **Field of Classification Search**
USPC D12/204–213
CPC B60B 7/00; B60B 7/02; B60B 7/04; B60B
7/01; B60B 7/06; B60B 3/04; B60B 1/00;
B60B 3/10; B60B 1/10; B60B 1/08;
B60B 3/06; B60B 1/12; B60B 3/02

See application file for complete search history.

(56) **References Cited**

U.S. PATENT DOCUMENTS

D436,911 S *	1/2001	Chung	D12/211
D477,556 S *	7/2003	Koch	D12/211
D639,225 S *	6/2011	Forschner	D12/211
D787,411 S *	5/2017	Peat	D12/211
D798,787 S *	10/2017	Song	D12/211
D824,831 S *	8/2018	Oh	D12/209

* cited by examiner

Primary Examiner — Stacia A Cadmus

(74) *Attorney, Agent, or Firm* — LeClairRyan

(57) **CLAIM**

The ornamental design for a vehicle wheel, as shown and described.

DESCRIPTION

FIG. 1 is a front view of a vehicle wheel showing our new design; and,

FIG. 2 is a perspective view thereof.

Any broken lines represent an internal boundary of the design; the line itself and the area within form no part of the claim.

The lighter grey scale of FIG. 2 represents disclaimed areas of the design.

1 Claim, 2 Drawing Sheets

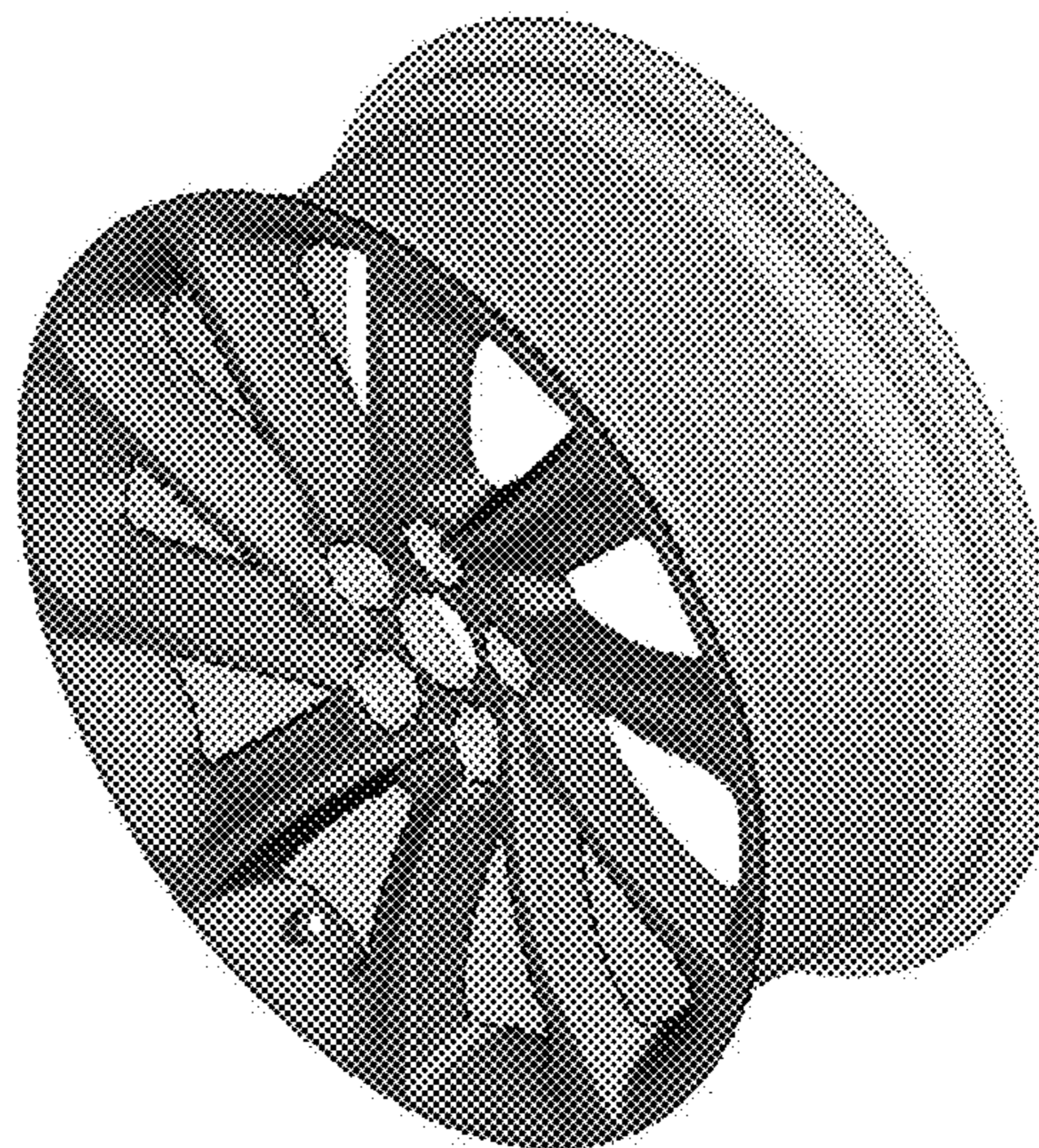




Fig. 1

Fig. 2

