



US00D862347S

(12) **United States Design Patent**
Woodhouse et al.

(10) **Patent No.:** **US D862,347 S**

(45) **Date of Patent:** **** Oct. 8, 2019**

(54) **VEHICLE WHEEL**

(71) Applicant: **Ford Global Technologies, LLC**,
Dearborn, MI (US)

(72) Inventors: **David Woodhouse**, Troy, MI (US);
Kemal Curic, Irvine, CA (US); **Viet Nguyen**, Madison Heights, MI (US)

(73) Assignee: **Ford Global Technologies LLC**,
Dearborn, MI (US)

(**) Term: **15 Years**

(21) Appl. No.: **29/641,736**

(22) Filed: **Mar. 23, 2018**

(51) **LOC (12) Cl.** **12-16**

(52) **U.S. Cl.**

USPC **D12/209**

(58) **Field of Classification Search**

USPC D12/204–213

CPC B60B 7/00; B60B 7/02; B60B 7/04; B60B
7/01; B60B 7/06; B60B 3/02; B60B 3/04;
B60B 3/06; B60B 3/10; B60B 1/00;
B60B 1/08; B60B 1/10; B60B 1/12

See application file for complete search history.

(56) **References Cited**

U.S. PATENT DOCUMENTS

D668,197 S * 10/2012 Gotschke D12/211
D759,562 S * 6/2016 Wheel D12/209

D778,802 S * 2/2017 Wolff D12/211
D780,655 S * 3/2017 Trim D12/209
D791,034 S * 7/2017 Rueckheim D12/209
D794,531 S * 8/2017 Zhao D12/211
D803,128 S * 11/2017 Svensson D12/209
D822,576 S * 7/2018 Austin D12/211
D828,268 S * 9/2018 Nakamura D12/209

* cited by examiner

Primary Examiner — Stacia A Cadmus

(74) *Attorney, Agent, or Firm* — LeClairRyan

(57) **CLAIM**

The ornamental design for a vehicle wheel, as shown and described.

DESCRIPTION

FIG. 1 is a front view of a vehicle wheel showing our new design;

FIG. 2 is a cross-sectional view thereof taken along line 2-2 in FIG. 1; and,

FIG. 3 is a perspective view thereof.

Any broken lines represent an internal boundary of the design; the line itself and the area within form no part of the claim.

The lighter grey scale of FIGS. 2 and 3 represent disclaimed areas of the design.

1 Claim, 3 Drawing Sheets

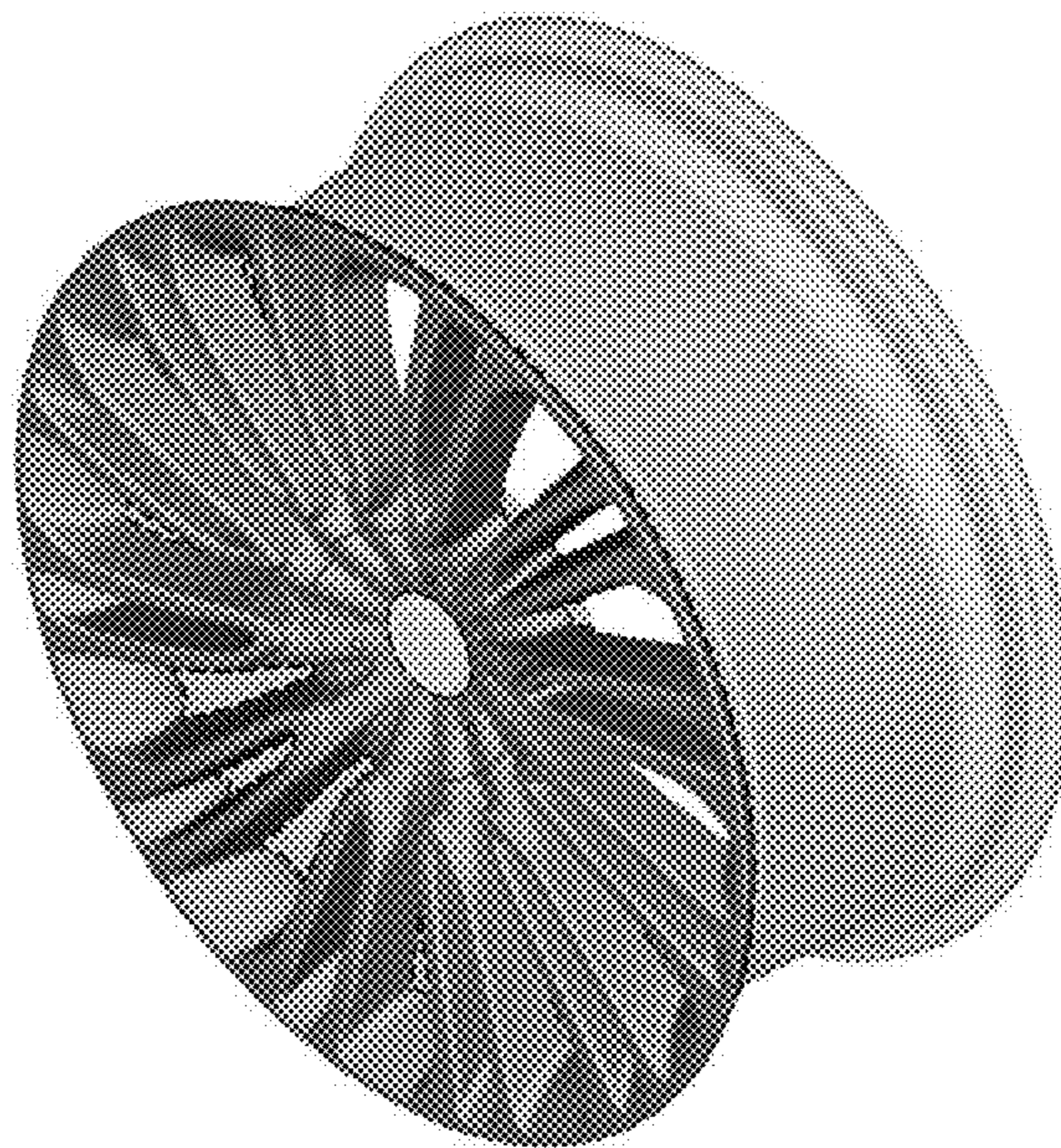
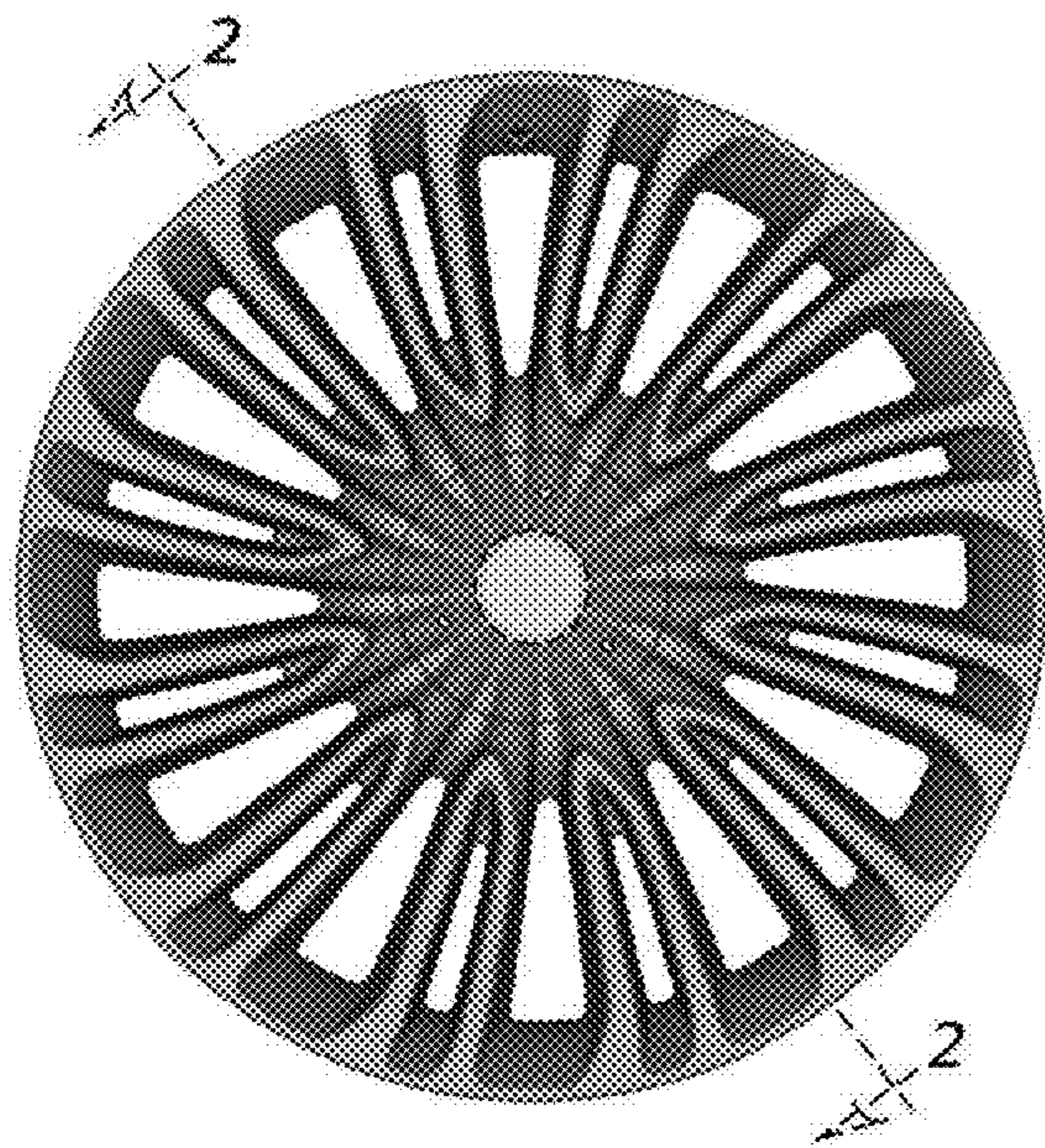


Fig. 1

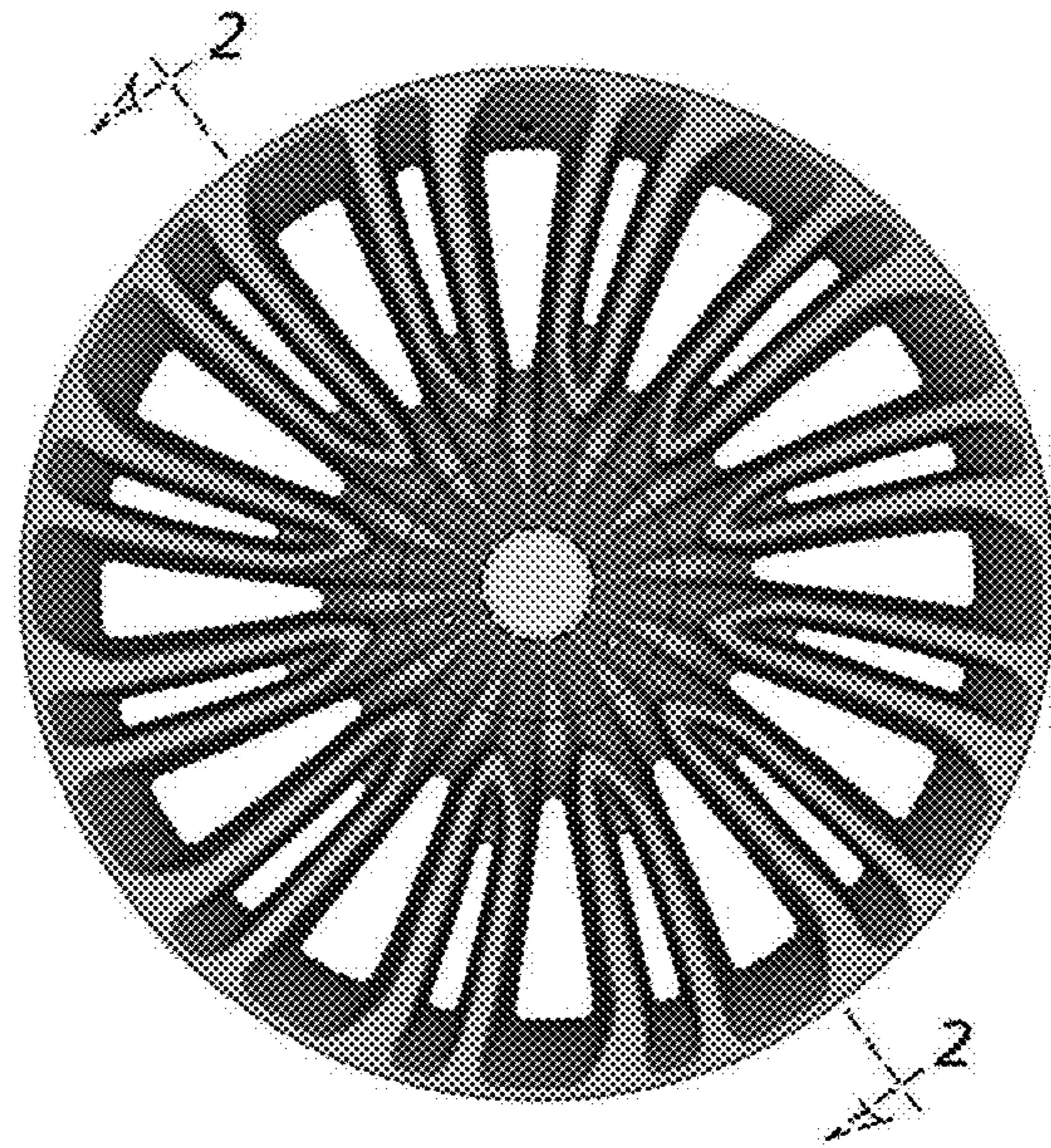


Fig. 2

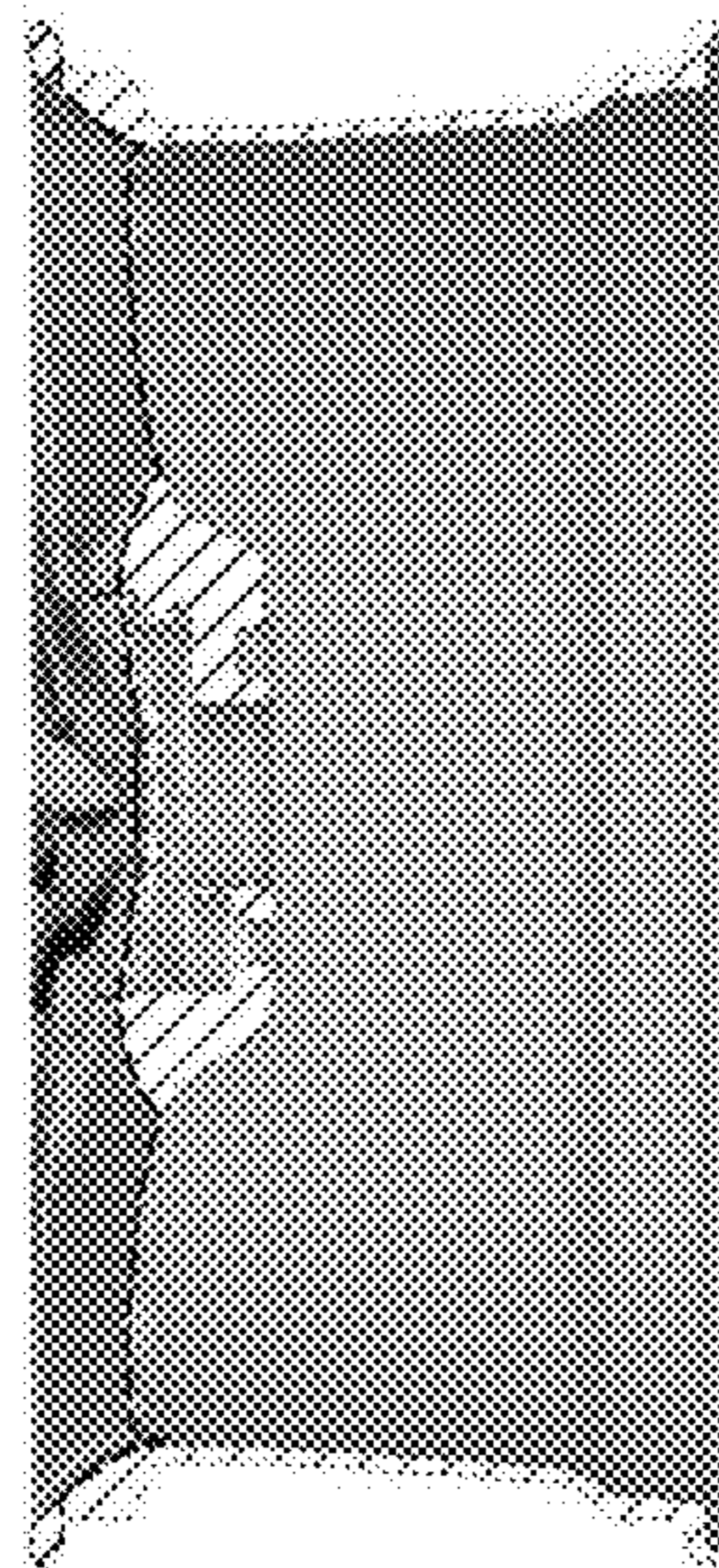


Fig. 3

