



US00D862346S

(12) **United States Design Patent**
Woodhouse et al.

(10) **Patent No.:** **US D862,346 S**

(45) **Date of Patent:** **** Oct. 8, 2019**

(54) **VEHICLE WHEEL**

(71) Applicant: **Ford Global Technologies, LLC,**
Dearborn, MI (US)

(72) Inventors: **David Woodhouse,** Troy, MI (US);
Kemal Curic, Irvine, CA (US); **Viet**
Nguyen, Madison Heights, MI (US)

(73) Assignee: **Ford Global Technologies, LLC,**
Dearborn, MI (US)

(**) Term: **15 Years**

(21) Appl. No.: **29/641,734**

(22) Filed: **Mar. 23, 2018**

(51) **LOC (12) Cl.** **12-16**

(52) **U.S. Cl.**

USPC **D12/209**

(58) **Field of Classification Search**

USPC D12/204–213

CPC B60B 7/00; B60B 7/02; B60B 7/04; B60B
7/01; B60B 7/06; B60B 3/04; B60B 1/00;
B60B 3/10; B60B 1/10; B60B 1/08;
B60B 3/06; B60B 1/12; B60B 3/02

See application file for complete search history.

(56) **References Cited**

U.S. PATENT DOCUMENTS

D745,842 S * 12/2015 Wheel D12/209
D785,533 S * 5/2017 Pires D12/209

D795,151 S * 8/2017 Valencia Pollex D12/209
D799,395 S * 10/2017 Chung D12/209
D803,754 S * 11/2017 Chung D12/211
D806,633 S * 1/2018 Setter D12/211
D825,427 S * 8/2018 Myrberg D12/209
D827,543 S * 9/2018 Woodhouse D12/209
D833,359 S * 11/2018 Ranum D12/209

* cited by examiner

Primary Examiner — Stacia A Cadmus

(74) *Attorney, Agent, or Firm* — LeClairRyan

(57) **CLAIM**

The ornamental design for a vehicle wheel, as shown and described.

DESCRIPTION

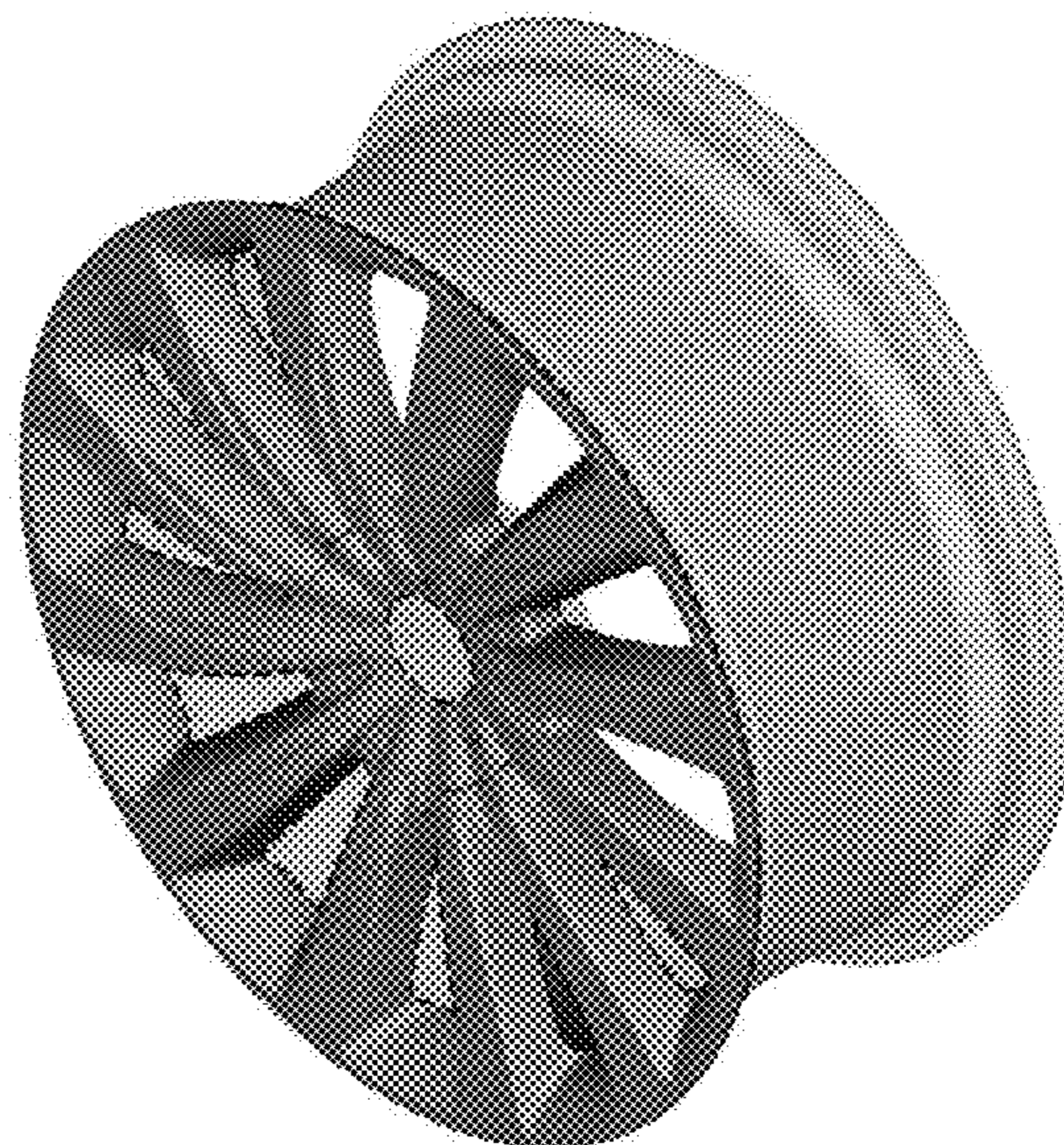
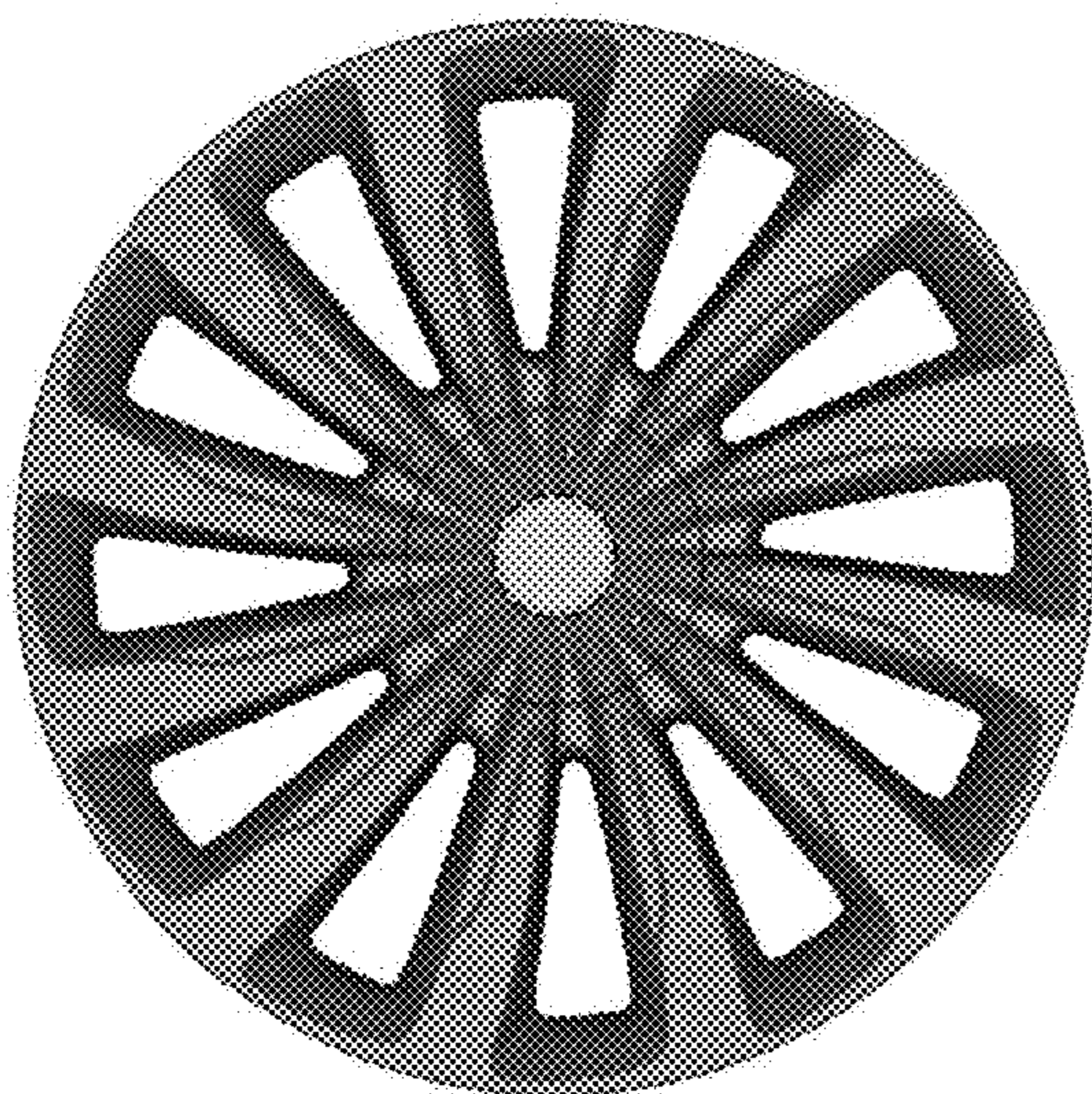
FIG. 1 is a front view of a vehicle wheel showing our new design; and,

FIG. 2 is a perspective view thereof.

Any broken lines represent an internal boundary of the design; the line itself and the area within form no part of the claim.

The lighter grey scale of FIG. 2 represents disclaimed areas of the design.

1 Claim, 2 Drawing Sheets



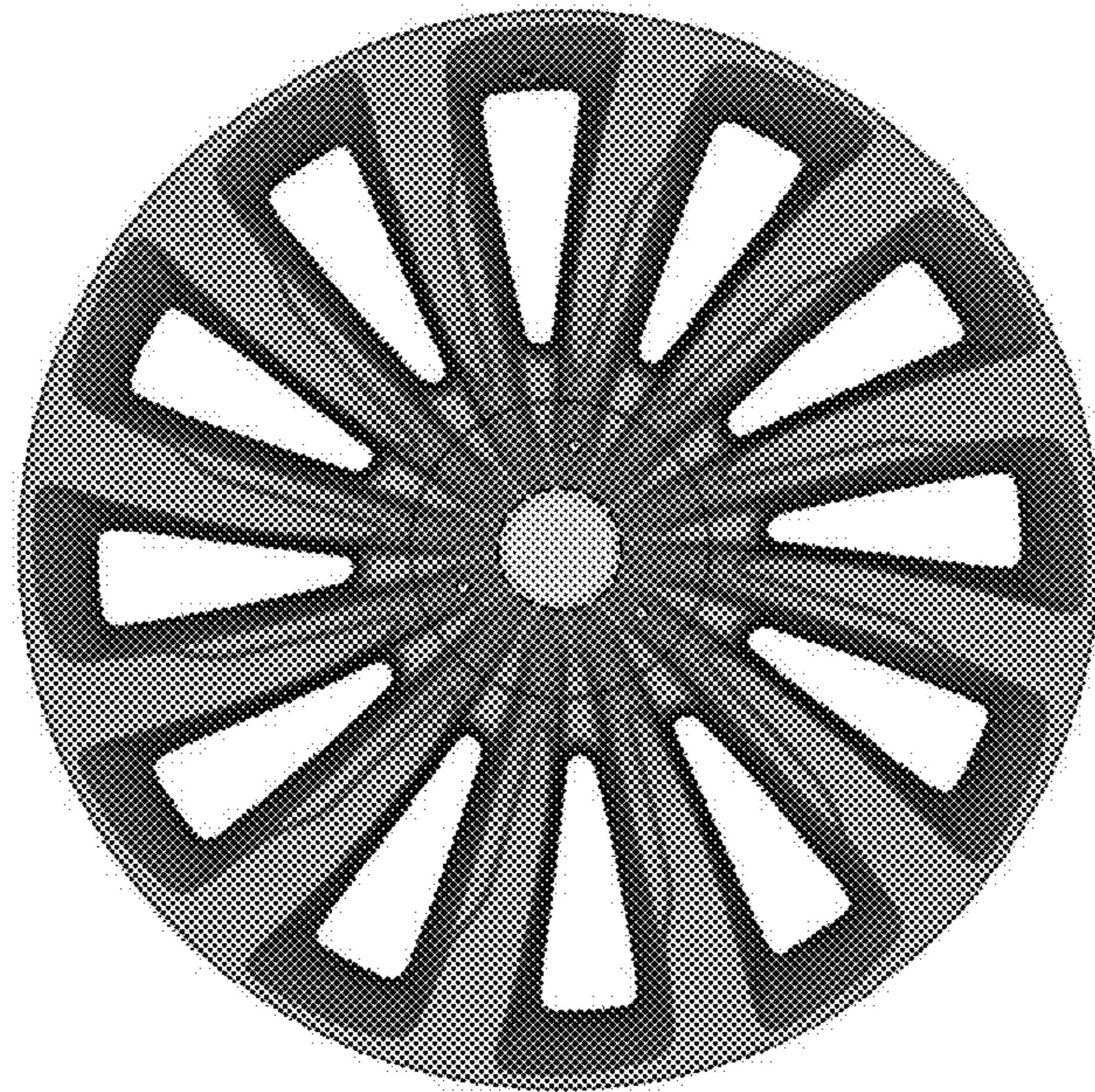


Fig. 1

Fig. 2

