



US00D862345S

(12) **United States Design Patent**  
**Woodhouse et al.**

(10) **Patent No.:** **US D862,345 S**  
(45) **Date of Patent:** **\*\* Oct. 8, 2019**

(54) **VEHICLE WHEEL**

(71) Applicant: **Ford Global Technologies, LLC,**  
Dearborn, MI (US)

(72) Inventors: **David Woodhouse,** Troy, MI (US);  
**Kemal Curic,** Irvine, CA (US); **Viet**  
**Nguyen,** Madison Heights, MI (US)

(73) Assignee: **Ford Global Technologies, LLC,**  
Dearborn, MI (US)

(\*\*) Term: **15 Years**

(21) Appl. No.: **29/641,732**

(22) Filed: **Mar. 23, 2018**

(51) **LOC (12) Cl.** ..... **12-16**

(52) **U.S. Cl.**

USPC ..... **D12/209**

(58) **Field of Classification Search**

USPC ..... D12/204–213

CPC .... B60B 7/00; B60B 7/02; B60B 7/04; B60B

7/01; B60B 7/06; B60B 3/02; B60B 3/04;

B60B 3/06; B60B 3/10; B60B 1/00;

B60B 1/08; B60B 1/10; B60B 1/12

See application file for complete search history.

(56) **References Cited**

**U.S. PATENT DOCUMENTS**

D748,031 S \* 1/2016 Miyazawa ..... D12/209  
D748,553 S \* 2/2016 Miyazawa ..... D12/209

D753,045 S \* 4/2016 Kawaguchi ..... D12/209  
D757,626 S \* 5/2016 Bridan ..... D12/209  
D762,543 S \* 8/2016 Hara ..... D12/209  
D770,351 S \* 11/2016 Choi ..... D12/209  
D778,798 S \* 2/2017 Park ..... D12/209  
D790,422 S \* 6/2017 Hodges ..... D12/209  
D791,040 S \* 7/2017 Umehara ..... D12/209  
D791,668 S \* 7/2017 Murase ..... D12/209  
D817,247 S \* 5/2018 Valencia Pollex ..... D12/209  
D826,126 S \* 8/2018 Valencia Pollex ..... D12/209  
D828,801 S \* 9/2018 Valencia Pollex ..... D12/209

\* cited by examiner

*Primary Examiner* — Stacia A Cadmus

(74) *Attorney, Agent, or Firm* — LeClairRyan

(57) **CLAIM**

The ornamental design for a vehicle wheel, as shown and described.

**DESCRIPTION**

FIG. 1 is a front view of a vehicle wheel showing our new design;

FIG. 2 is a cross-sectional view thereof taken along line 2-2 in FIG. 1; and,

FIG. 3 is a perspective view thereof.

Any broken lines represent an internal boundary of the design; the line itself and the area within form no part of the claim.

The lighter grey scale of FIGS. 2 and 3 represent disclaimed areas of the design.

**1 Claim, 3 Drawing Sheets**

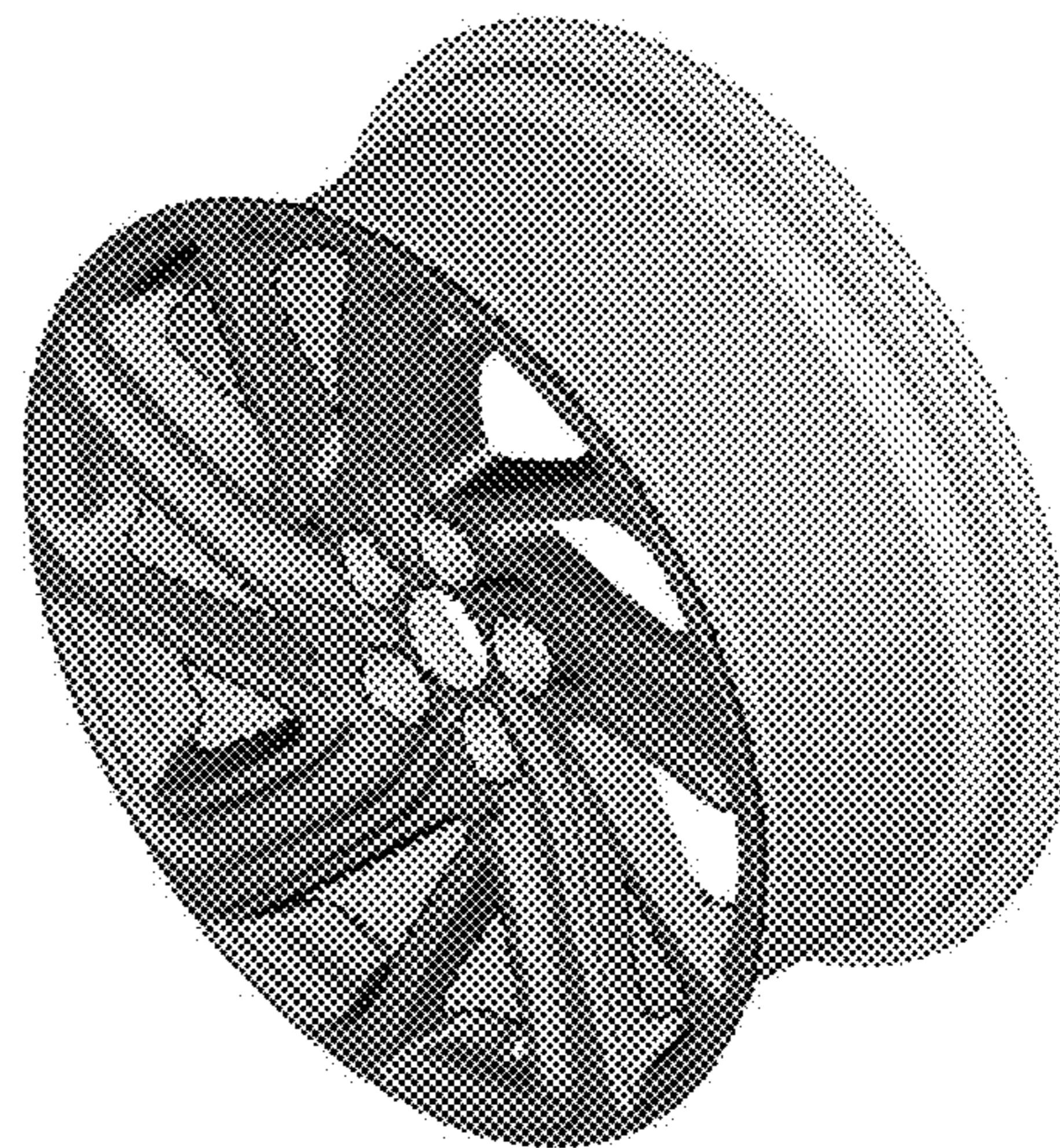
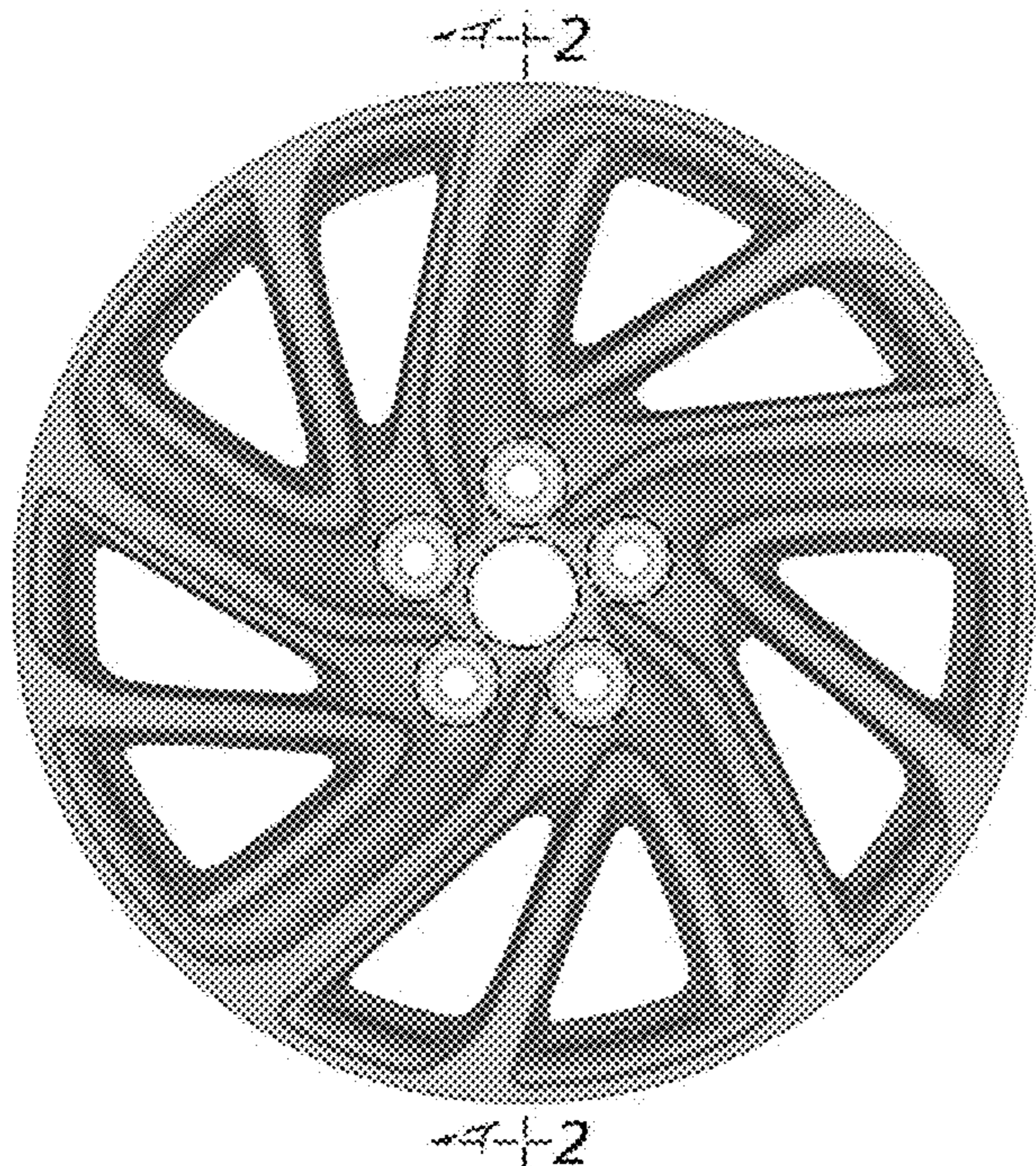




Fig. 1

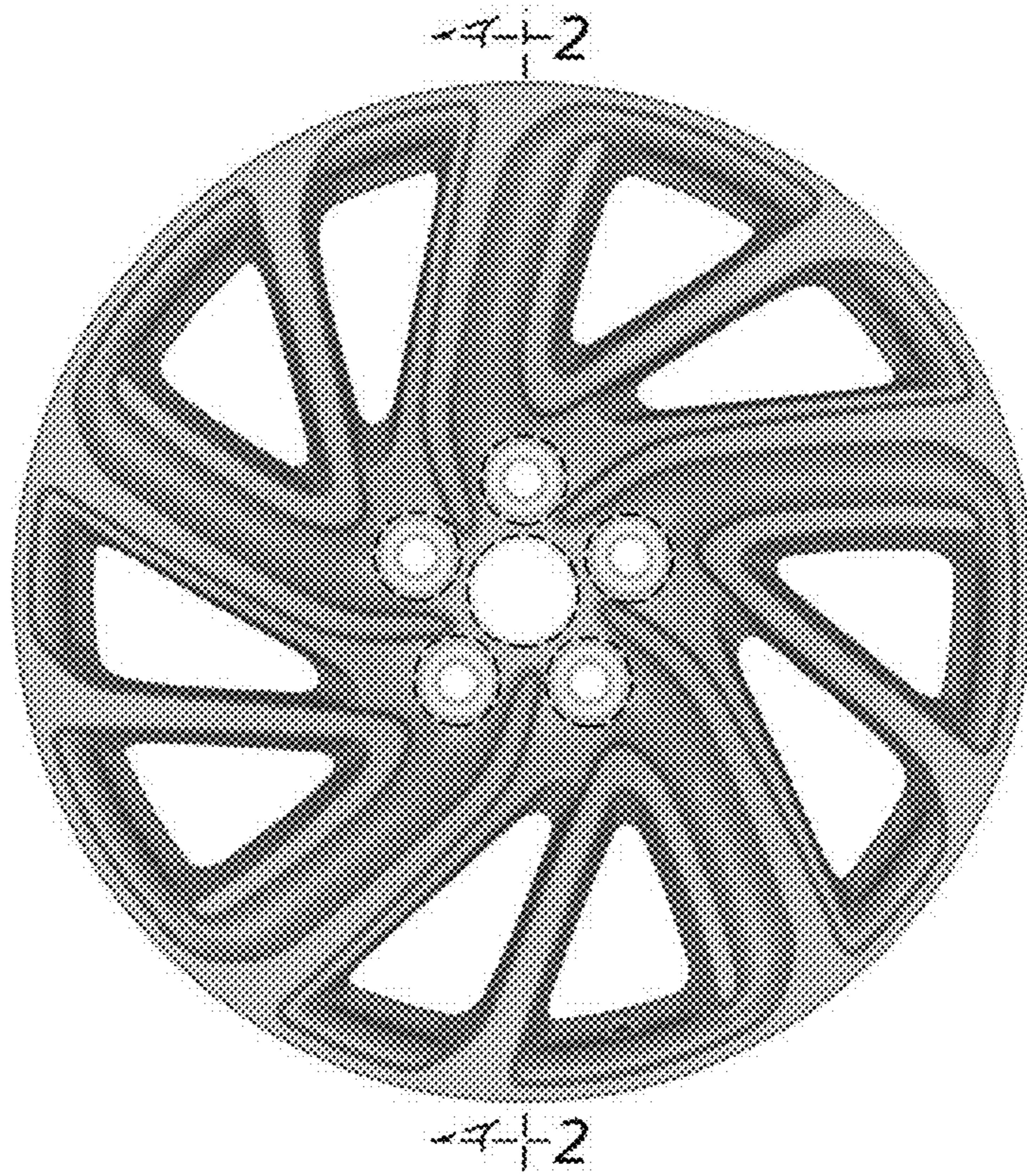
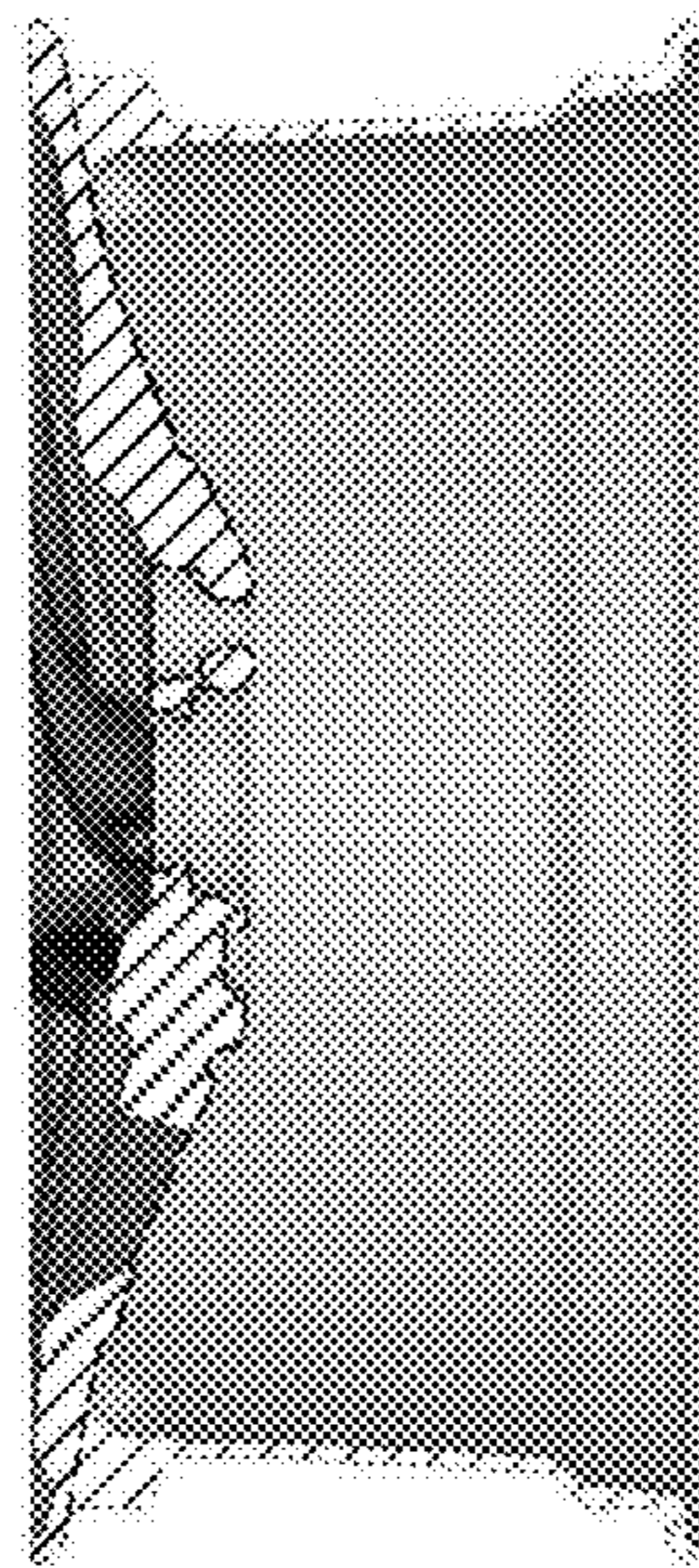


Fig. 2





*Fig. 3*

