



US00D862342S

(12) **United States Design Patent**  
**LeFranc et al.**

(10) **Patent No.:** **US D862,342 S**  
(45) **Date of Patent:** **\*\* Oct. 8, 2019**

(54) **WHEEL**

(71) Applicant: **Faraday & Future Inc.**, Gardena, CA (US)

(72) Inventors: **Charles LeFranc**, Topenga, CA (US); **Brian E. Spencer**, Lakewood, CA (US); **Giancarlo Viganego**, Gardena, CA (US); **Axel Kurkjian**, Gardena, CA (US); **Richard S. Kim**, Los Angeles, CA (US); **Page Brullau Beermann**, Los Angeles, CA (US); **Jesse Walker**, Gardena, CA (US)

(73) Assignee: **Faraday & Future Inc.**, Gardena, CA (US)

(\*\*) Term: **15 Years**

(21) Appl. No.: **29/589,637**

(22) Filed: **Jan. 3, 2017**

(51) **LOC (12) Cl.** ..... **12-16**

(52) **U.S. Cl.**  
USPC ..... **D12/209**

(58) **Field of Classification Search**  
USPC ..... D12/204–213; D21/550  
CPC .... B60B 7/00; B60B 7/02; B60B 7/04; B60B 7/06; B60B 3/02; B60B 3/04; B60B 3/06; B60B 3/10

See application file for complete search history.

(56) **References Cited**

U.S. PATENT DOCUMENTS

D437,278 S *	2/2001	Sulahian .....	D12/211
D576,536 S *	9/2008	Aroney .....	D12/209
D669,834 S *	10/2012	Juergens .....	D12/211
D678,158 S *	3/2013	Wang .....	D12/209
D782,384 S *	3/2017	Oh .....	D12/209
D803,127 S *	11/2017	Weil .....	D12/204

\* cited by examiner

*Primary Examiner* — Sheryl Lane

*Assistant Examiner* — Calvin E Vansant

(74) *Attorney, Agent, or Firm* — Knobbe Martens Olson & Bear LLP

(57) **CLAIM**

The ornamental design for a wheel, as shown and described.

**DESCRIPTION**

FIG. 1 is a top front right perspective view of a first embodiment of a wheel, showing the new design;

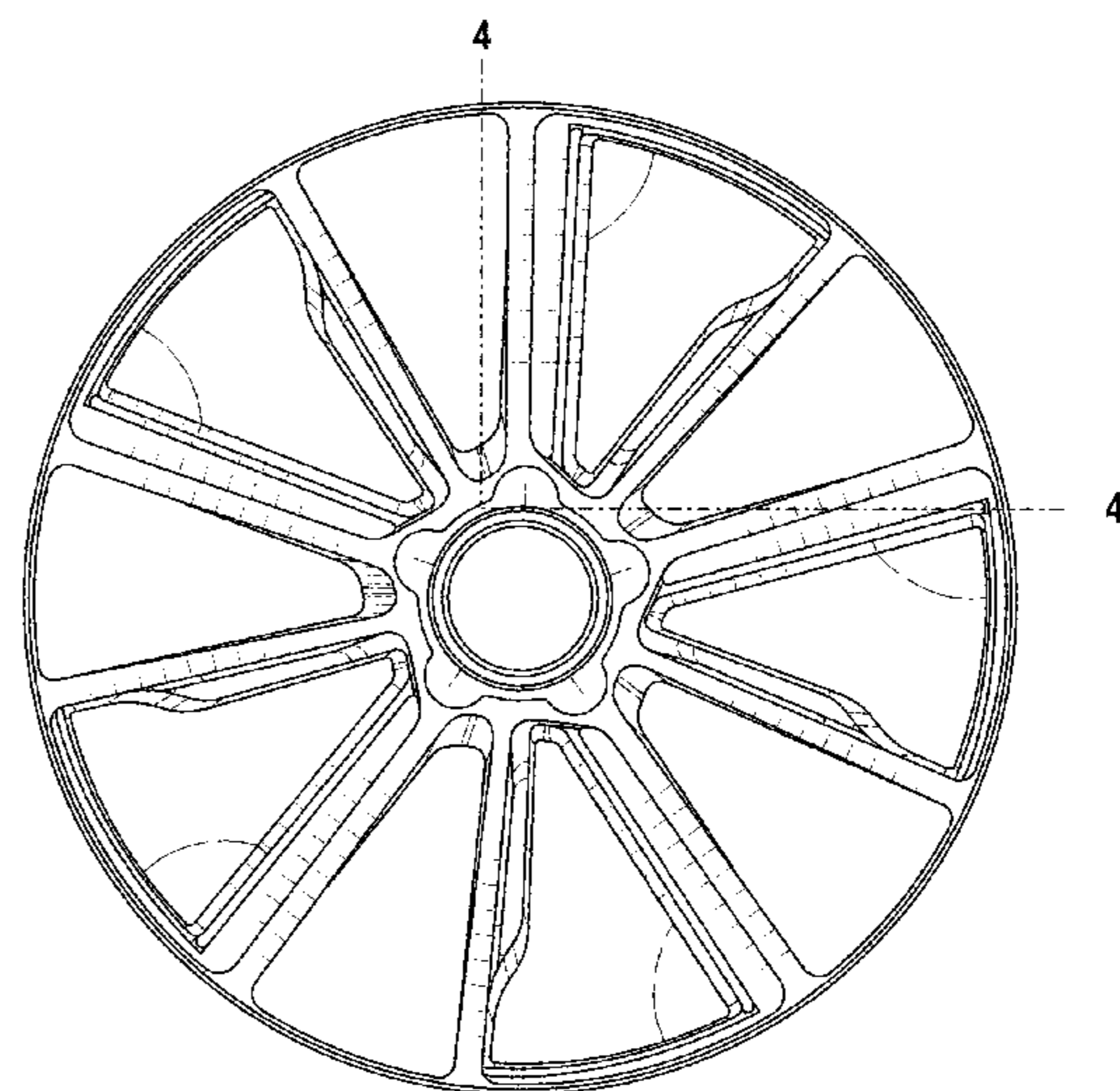
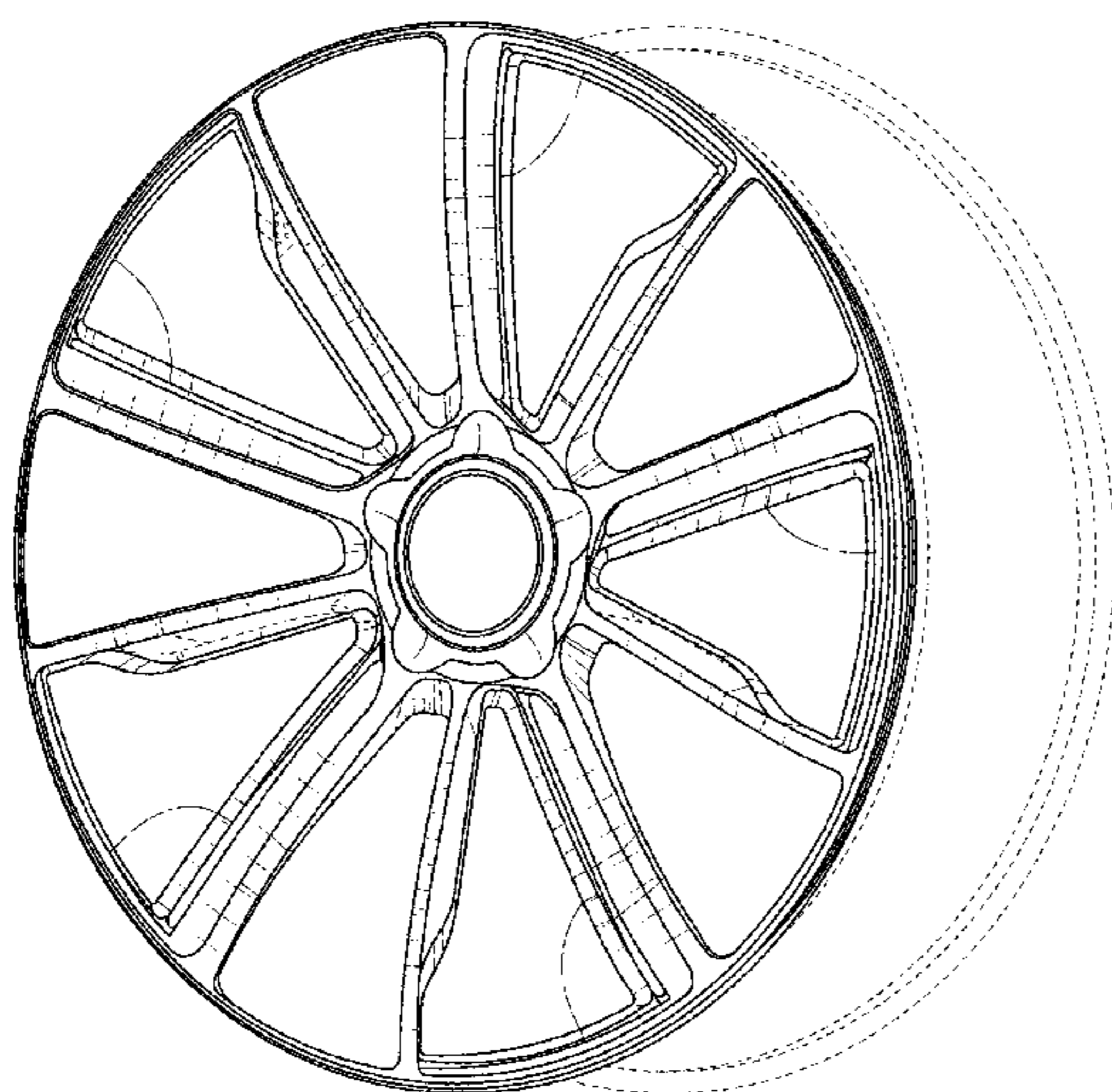
FIG. 2 is a front elevation view thereof;

FIG. 3 is a right side elevation view thereof, with the left side elevation view, the top plan view, and the bottom plan view being identical thereto; and,

FIG. 4 is an enlarged front elevation view as shown in FIG. 2.

The dashed broken lines shown in FIGS. 1-4 illustrate portions of the wheel that form no part of the claimed design.

**1 Claim, 4 Drawing Sheets**



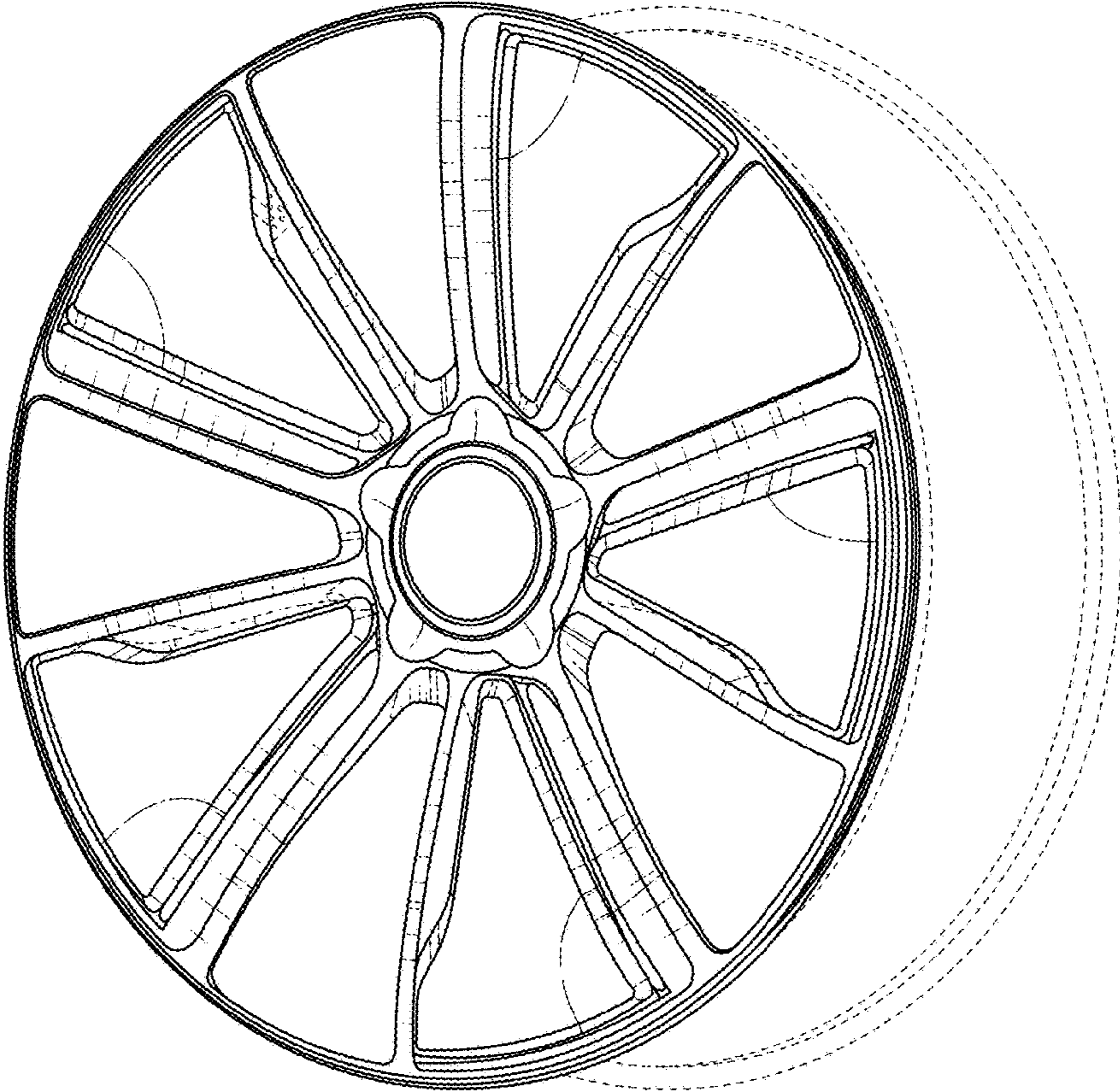


FIG. 1

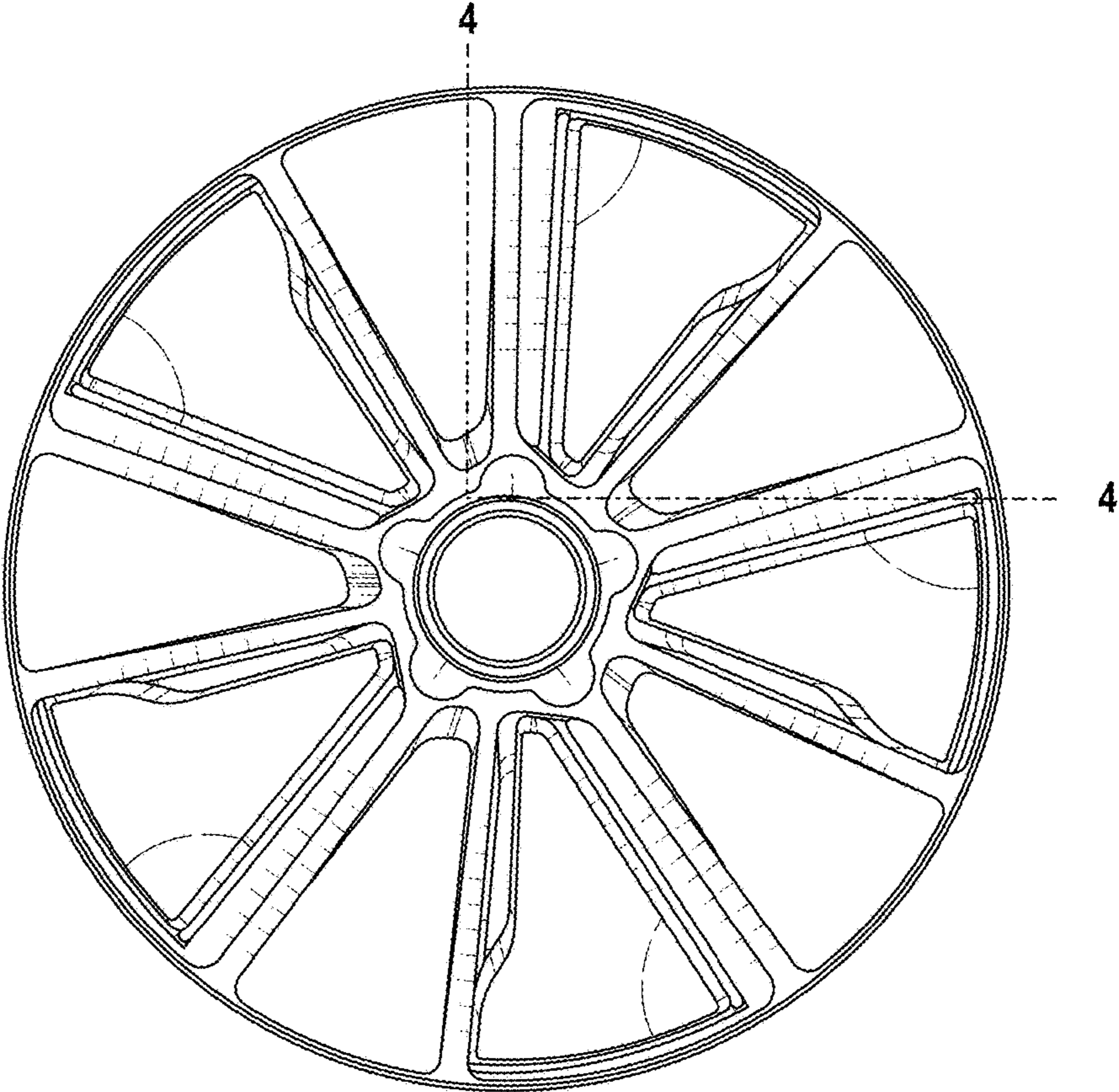


FIG. 2



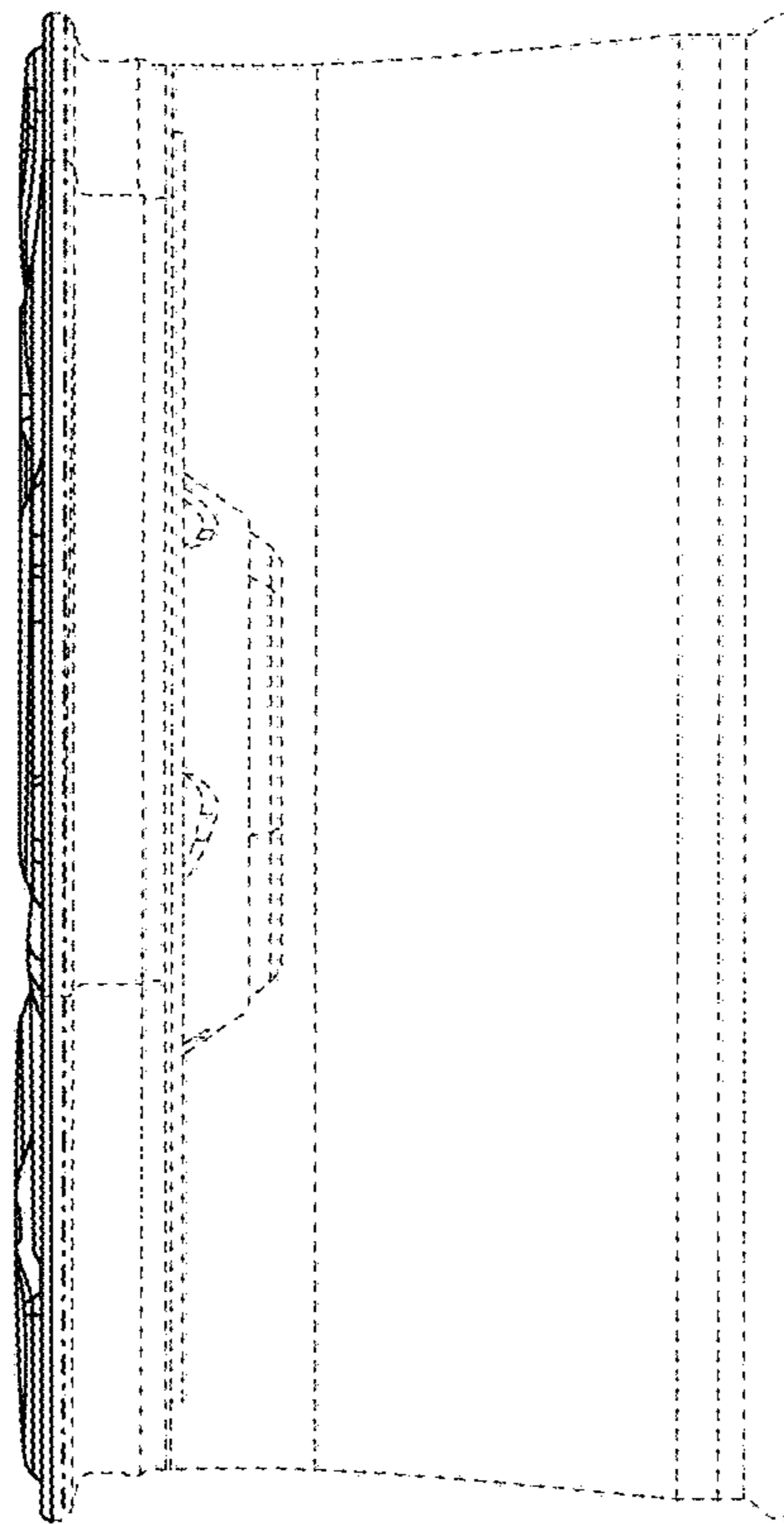


FIG. 3

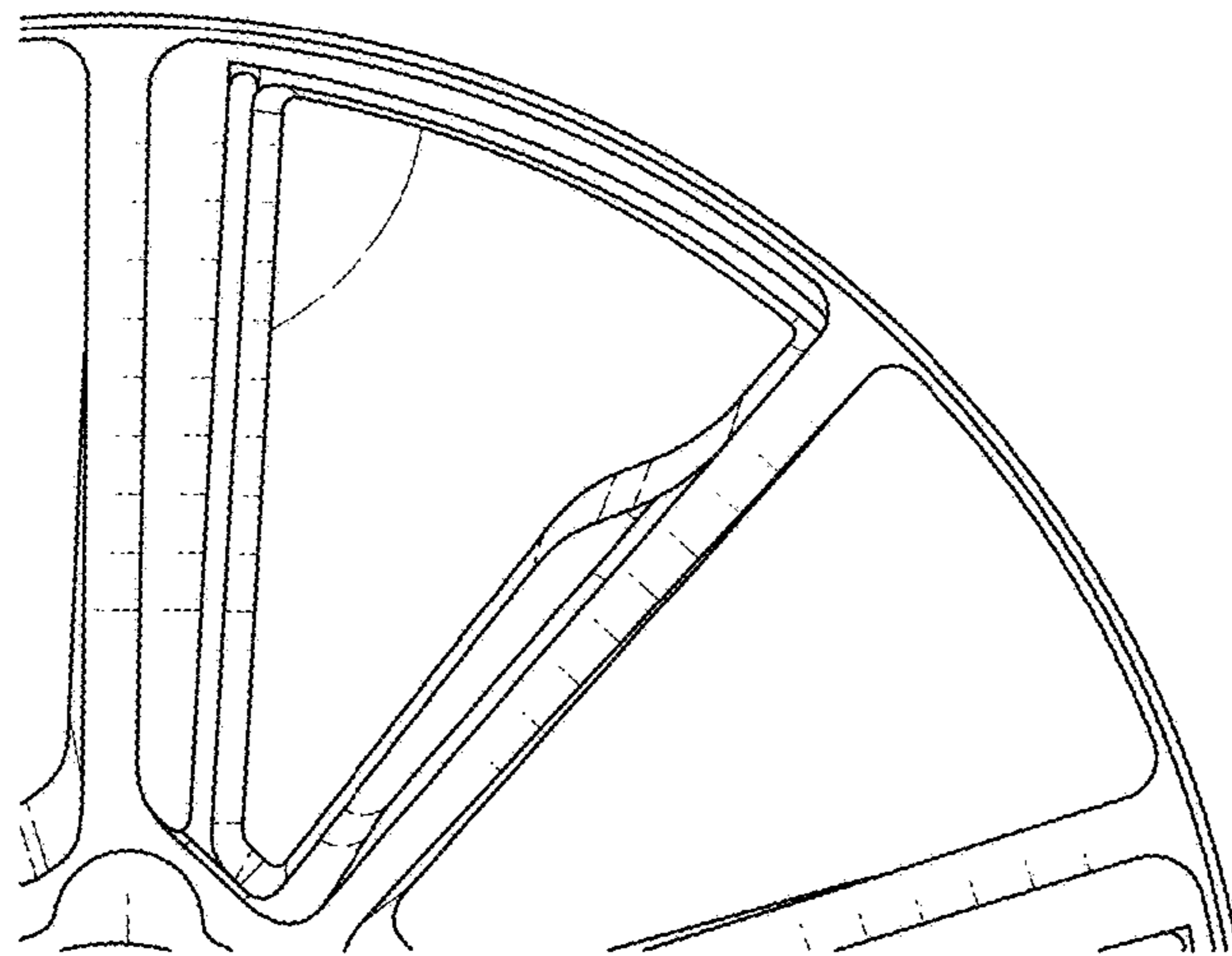


FIG. 4