

US00D862341S

(12) **United States Design Patent** (10) **Patent No.:** **US D862,341 S**
Kong (45) **Date of Patent:** **** *Oct. 8, 2019**

(54) **WHEEL**
(71) Applicant: **Wheel Pros, LLC**, Greenwood Village, CO (US)
(72) Inventor: **Gary Kong**, Hong Kong (CN)
(*) Notice: This patent is subject to a terminal disclaimer.
(**) Term: **15 Years**
(21) Appl. No.: **29/616,908**
(22) Filed: **Sep. 10, 2017**
(51) **LOC (12) Cl.** **12-16**
(52) **U.S. Cl.**
USPC **D12/208**
(58) **Field of Classification Search**
USPC D12/204–213; D21/533, 551, 563
See application file for complete search history.

D513,486 S 1/2006 Rivera
D516,990 S * 3/2006 Schweizer D12/211
D528,495 S 9/2006 Truebsbach
D530,259 S * 10/2006 Sands D12/211
D542,209 S 5/2007 Pfeiffer
D552,525 S 10/2007 Celik
D553,068 S 10/2007 Celik
D569,777 S 5/2008 Chung
D576,936 S 9/2008 Imai
D577,650 S 9/2008 Chung
D578,457 S 10/2008 Guidry
D579,845 S 11/2008 Chung
D582,831 S 12/2008 Musser
D598,357 S 8/2009 Chung
D599,266 S 9/2009 Bierenbreier
D617,723 S 6/2010 Zhao
D620,873 S 8/2010 Groom
D621,317 S * 8/2010 Antoniadis D12/209
D625,235 S 10/2010 Nissl
D638,767 S 5/2011 Groom
D644,585 S * 9/2011 Antoniadis D12/209
D659,069 S * 5/2012 Johnson D12/211
D669,009 S 10/2012 Chung
D686,554 S * 7/2013 Pollmann D12/209
D695,193 S 12/2013 Kong

(Continued)

(56) **References Cited**
U.S. PATENT DOCUMENTS

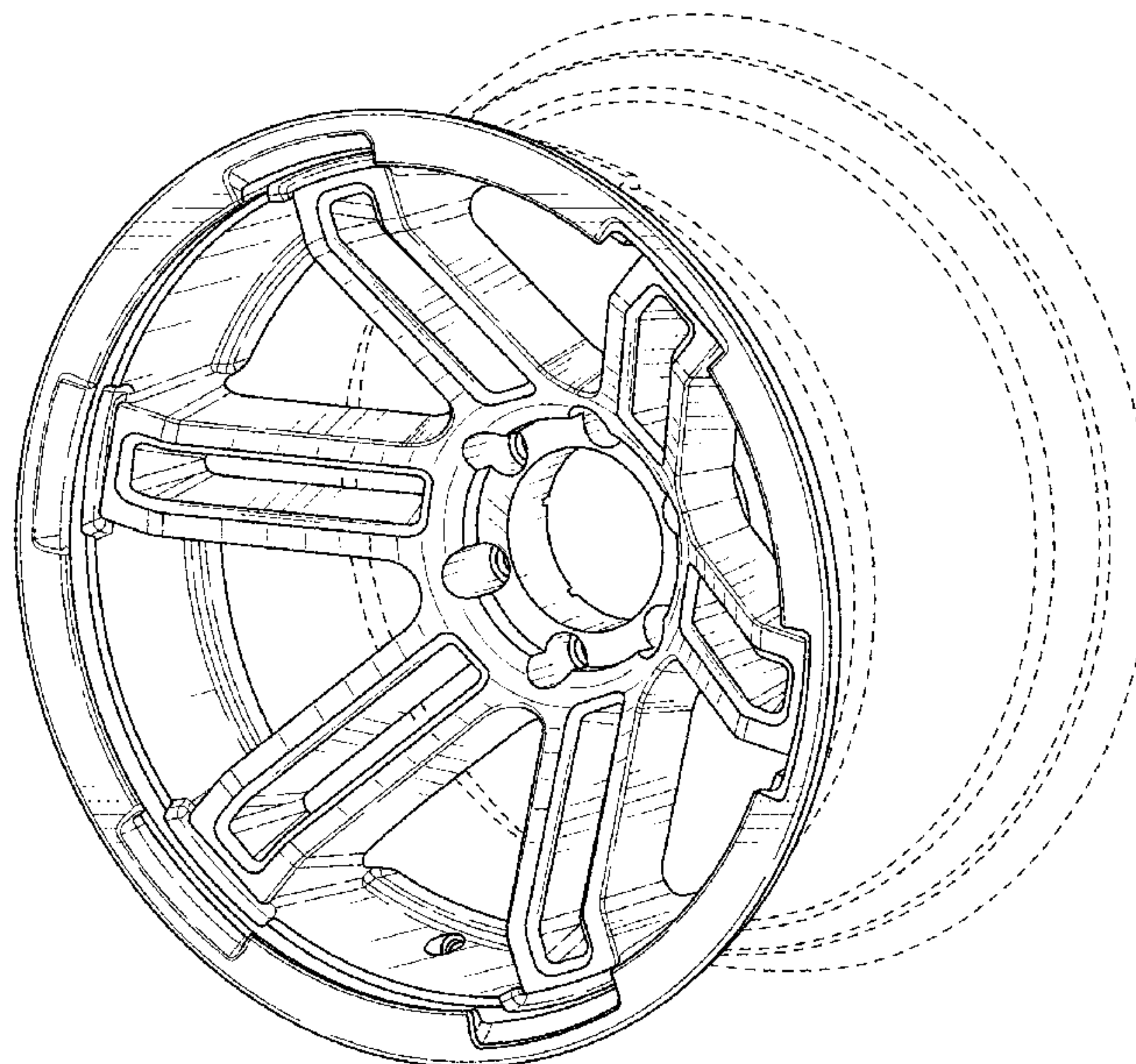
D273,102 S 3/1984 Woodward
D291,796 S 9/1987 Reid
D361,975 S 9/1995 Weld
D408,775 S 4/1999 Shikado
D453,724 S 2/2002 Hodges
D455,698 S 4/2002 Chung
D464,010 S 10/2002 Chung
D467,212 S 12/2002 Noriega
D470,094 S 2/2003 van Hooydonk
D478,542 S 8/2003 Sulahian
D480,036 S 9/2003 Laengerer
D482,996 S 12/2003 Sulahian
D486,111 S * 2/2004 Weidhase D12/211
D486,770 S * 2/2004 Pollmann D12/209
D492,925 S 7/2004 Fitzgerald
D496,317 S 9/2004 Kataoka

Primary Examiner — Sheryl Lane
(74) *Attorney, Agent, or Firm* — Eric Hanscom

(57) **CLAIM**
The ornamental design for a wheel, as shown and described.

DESCRIPTION
FIG. 1 is a perspective view of a wheel showing my new design; and,
FIG. 2 is a front view thereof.
In the drawings, broken lines shown in the drawings depict environmental subject matter only and form no part of the claimed design.

1 Claim, 2 Drawing Sheets



(56)

References Cited

U.S. PATENT DOCUMENTS

D697,008 S *	1/2014	Juergens	D12/209	D747,248 S *	1/2016	Amezketta	D12/209
D698,298 S	1/2014	Cortes			D750,003 S	2/2016	Ahmad		
D698,300 S	1/2014	Chung			D756,882 S	5/2016	Tirado		
D704,617 S	5/2014	Chung			D763,763 S *	8/2016	Stone	D12/209
D706,197 S	6/2014	Chung			D764,373 S	8/2016	Valencia Pollex		
8,740,315 B2 *	6/2014	Goto	B60B 3/04 301/64.101	D766,805 S	9/2016	Chung		
D709,016 S *	7/2014	Zane	D12/209	D769,166 S	10/2016	Juergens		
D711,304 S	8/2014	Chung			D769,785 S	10/2016	Wells		
D711,806 S *	8/2014	Pollmann	D12/209	D770,960 S	11/2016	Svensson		
D715,211 S	10/2014	Gotschke			D775,051 S *	12/2016	Alfonso	D12/211
D726,628 S	4/2015	Kong			D780,655 S *	3/2017	Trim	D12/209
D733,027 S	6/2015	Chung			D783,494 S *	4/2017	Macey	D12/209
D735,104 S	7/2015	Hodges			D784,462 S *	4/2017	Barajas	D21/563
D739,803 S	9/2015	Miansian			D800,627 S *	10/2017	Mielke	D12/209
D742,293 S	11/2015	Chung			D808,880 S *	1/2018	Valencia Pollex	D12/209
D744,926 S *	12/2015	Caswell	D12/209	D818,927 S *	5/2018	Valencia Pollex	D12/209
					D820,186 S *	6/2018	Badstuebner	D12/211
					D822,573 S *	7/2018	Juergens	D12/209
					D824,310 S *	7/2018	Chung	D12/209

* cited by examiner

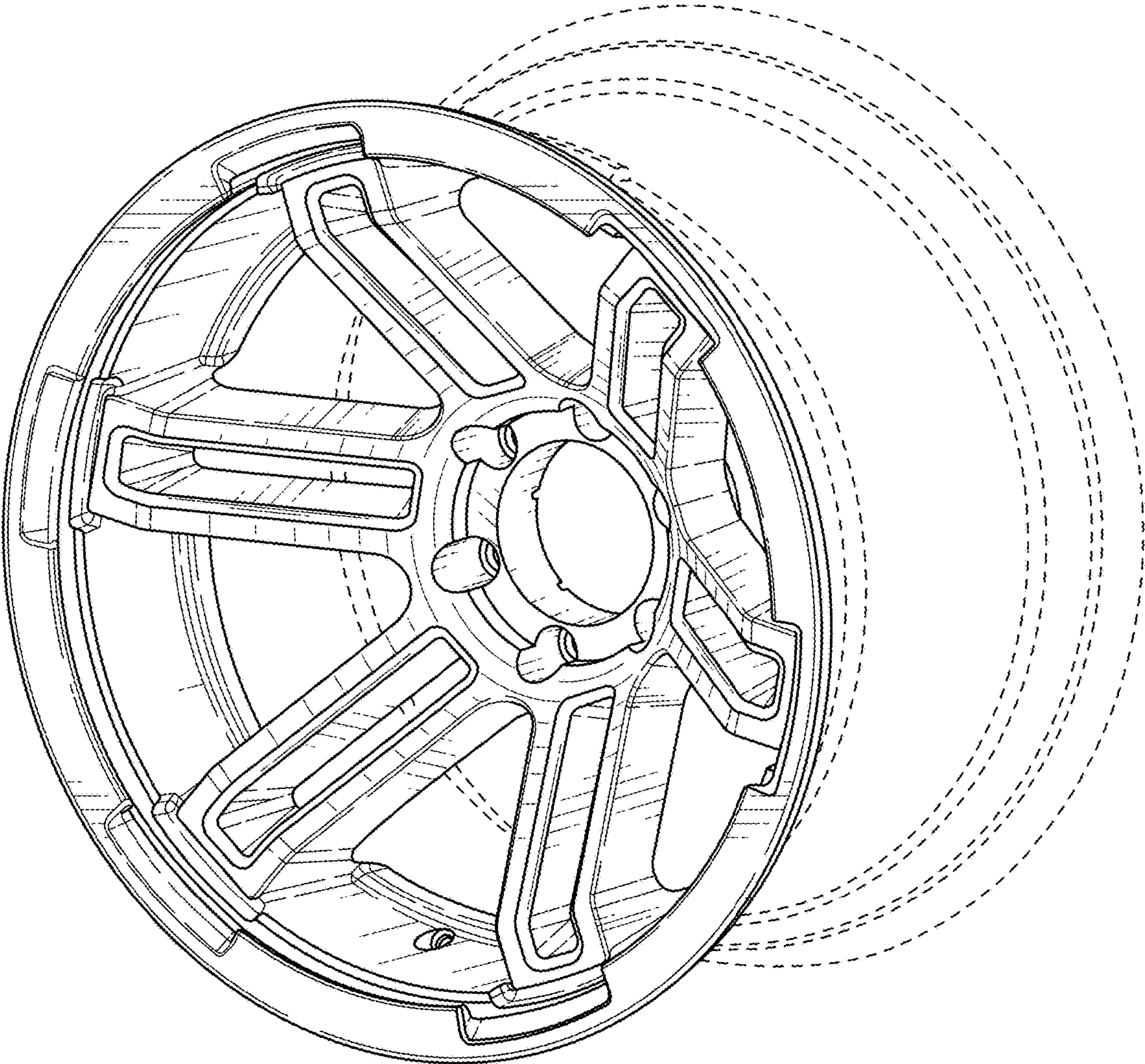


FIG. 1

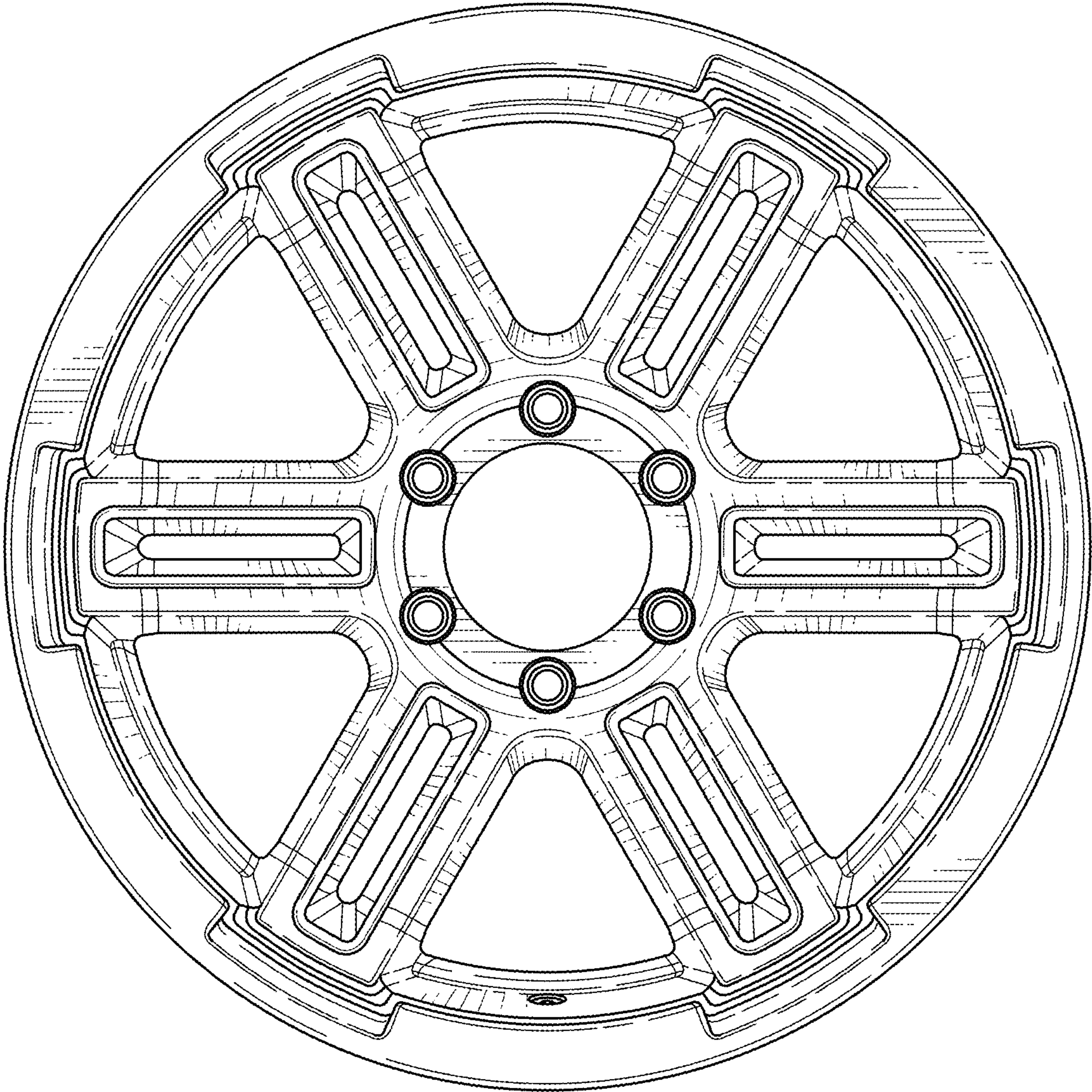


FIG. 2