

US00D862337S

(12) **United States Design Patent** (10) **Patent No.:** **US D862,337 S**
Pinazzo et al. (45) **Date of Patent:** **** *Oct. 8, 2019**

(54) **VEHICLE FRONT FASCIA LOWER PLATE**
(71) Applicant: **GM GLOBAL TECHNOLOGY OPERATIONS LLC**, Detroit, MI (US)
(72) Inventors: **Therese A. Pinazzo**, Royal Oak, MI (US); **Robin Krieg**, Bloomfield Hills, MI (US)
(73) Assignee: **GM GLOBAL TECHNOLOGY OPERATIONS LLC**, Detroit, MI (US)

(*) Notice: This patent is subject to a terminal disclaimer.
(**) Term: **15 Years**

(21) Appl. No.: **29/606,684**
(22) Filed: **Jun. 7, 2017**
(51) **LOC (12) Cl.** **12-16**
(52) **U.S. Cl.**
USPC **D12/196**
(58) **Field of Classification Search**
USPC D12/86, 88, 90, 91, 92, 93, 163, 169, D12/172, 173, 181, 196, 216; D11/81, D11/133; 296/180.1, 180.2; 293/102, 293/113, 115, 117, 120; 280/727, 770, 280/848
CPC B60R 19/02; B60R 19/04; B60R 19/18; B60R 19/24; B60R 19/44; B60R 19/48; B60R 19/56
See application file for complete search history.

(56) **References Cited**
U.S. PATENT DOCUMENTS
D570,742 S 6/2008 Takagi et al.
D590,753 S * 4/2009 Williams D12/169
D592,105 S 5/2009 Dean et al.
D597,447 S 8/2009 Folden
D600,595 S 9/2009 Nakamura et al.

D601,925 S 10/2009 O'Donnell
D603,308 S * 11/2009 Schiavone D12/169
D603,755 S 11/2009 Peters
D604,203 S 11/2009 O'Donnell
D605,082 S 12/2009 Munson
D605,083 S 12/2009 Manoogian, II et al.
D605,977 S 12/2009 Zipfel et al.
D605,978 S 12/2009 Wolff et al.
D608,249 S 1/2010 Peters
D608,690 S 1/2010 Folden et al.
D608,691 S 1/2010 Zak, Jr. et al.
D609,608 S 2/2010 Boniface et al.
D611,387 S 3/2010 Thompson et al.
D611,879 S 3/2010 Kim et al.
D612,297 S 3/2010 Peters et al.
D613,645 S 4/2010 Song et al.
D614,099 S * 4/2010 Ectors D12/169
D614,555 S * 4/2010 Ectors D12/169
D615,458 S 5/2010 Thompson et al.

(Continued)

Primary Examiner — Ian Simmons
Assistant Examiner — Yolanda Robinson

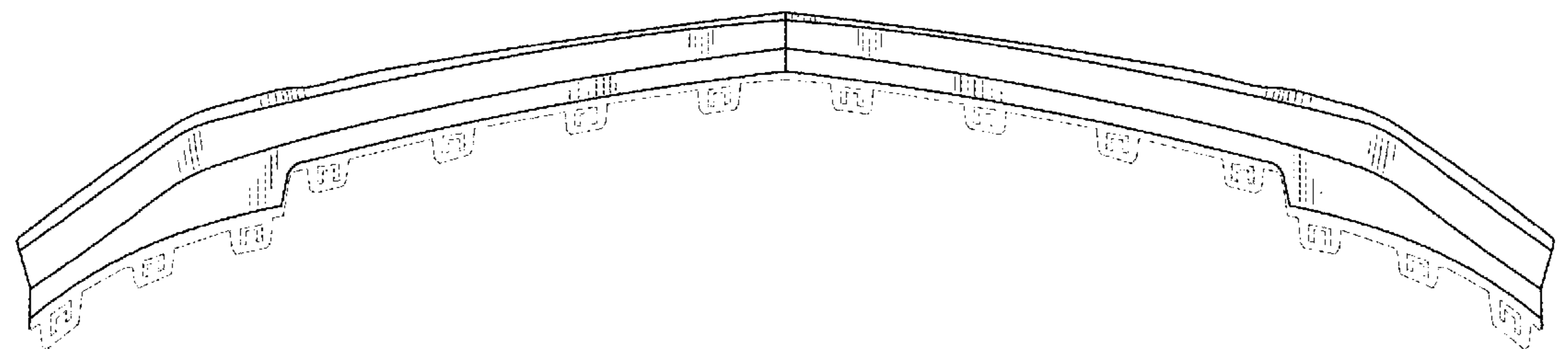
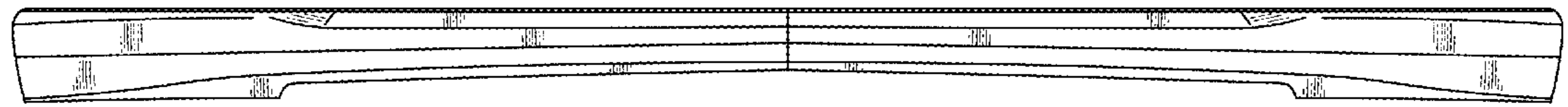
(57) **CLAIM**

The ornamental design for a vehicle front fascia lower plate, as shown and described.

DESCRIPTION

FIG. 1 is a front and left perspective view of the vehicle front fascia lower plate according to the present disclosure; FIG. 2 is a left end elevation view thereof; FIG. 3 is a front elevation view thereof; and, FIG. 4 is a bottom plan view thereof. The right end elevation view is omitted, because the right end elevation view is a mirror image to the left end elevation view. The broken lines shown in the drawings depict portions of the vehicle front fascia lower plate that form no part of the claimed design. The shade lines in the figures show contour and not surface ornamentation.

1 Claim, 3 Drawing Sheets



(56)

References Cited

U.S. PATENT DOCUMENTS

D618,595 S	6/2010	Ware et al.	D746,729 S	1/2016	Boniface et al.
D623,090 S	9/2010	Cox et al.	D746,730 S	1/2016	Kim et al.
D627,262 S	11/2010	Ikeda et al.	D747,514 S	1/2016	McMahan et al.
D635,488 S	4/2011	Phipps	D747,515 S	1/2016	McMahan et al.
D644,147 S	8/2011	Suh et al.	D747,819 S	1/2016	Thole et al.
D644,567 S	9/2011	Kozub	D749,021 S	2/2016	Boniface et al.
D657,718 S	4/2012	Zipfel et al.	D749,026 S	2/2016	Smith et al.
D659,052 S	5/2012	Ware et al.	D749,027 S	2/2016	McMahan et al.
D659,053 S	5/2012	Ware et al.	D749,246 S	2/2016	Thole et al.
D668,182 S	10/2012	Barba Franco et al.	D749,249 S	2/2016	Thole et al.
D668,183 S	10/2012	Smart	D749,250 S	2/2016	Thole et al.
D678,142 S	* 3/2013	Behmer D12/169	D749,470 S	* 2/2016	Behmer D12/169
D678,820 S	3/2013	Son et al.	D749,985 S	2/2016	Kozub et al.
D678,821 S	3/2013	Ikeda et al.	D749,997 S	2/2016	McMahan et al.
D680,909 S	4/2013	Munson et al.	D750,001 S	2/2016	Thole et al.
D680,910 S	4/2013	David	D753,032 S	4/2016	Smith et al.
D683,672 S	* 6/2013	Platto D12/169	D753,033 S	4/2016	Thole et al.
D684,899 S	6/2013	Baker	D753,034 S	4/2016	Thole et al.
D686,536 S	7/2013	McCabe et al.	D753,035 S	4/2016	Boniface et al.
D692,798 S	11/2013	Thurber	D753,559 S	4/2016	McMahan et al.
D692,799 S	11/2013	Smith et al.	D753,560 S	4/2016	McMahan et al.
D692,814 S	* 11/2013	Platto D12/190	D753,567 S	4/2016	Boniface et al.
D696,157 S	12/2013	Loeb	D754,571 S	4/2016	Boniface et al.
D699,629 S	2/2014	Ikeda et al.	D754,572 S	4/2016	McMahan et al.
D700,871 S	3/2014	O'Donnell et al.	D755,088 S	5/2016	McMahan et al.
D703,103 S	4/2014	Lee	D756,869 S	5/2016	McMahan et al.
D704,103 S	5/2014	Mack et al.	D758,271 S	6/2016	McMahan et al.
D705,132 S	5/2014	Ware et al.	D762,147 S	* 7/2016	Messale D12/169
D705,699 S	5/2014	Ware et al.	D764,975 S	8/2016	Aengenheyster
D710,264 S	* 8/2014	Watkins D12/169	D764,976 S	8/2016	Aengenheyster
D713,298 S	9/2014	Dyson	D767,449 S	9/2016	Pevovar et al.
D713,764 S	9/2014	Ferlazzo et al.	D767,450 S	9/2016	Lee et al.
D716,696 S	11/2014	Thole et al.	D767,451 S	9/2016	Kozub et al.
D716,706 S	11/2014	Thole et al.	D767,454 S	9/2016	McMahan et al.
D716,709 S	11/2014	Thole et al.	D767,458 S	9/2016	Kim
D717,696 S	11/2014	Thole et al.	D767,459 S	9/2016	Kim
D718,189 S	11/2014	Krieg et al.	D767,460 S	9/2016	Kozub et al.
D718,683 S	12/2014	Thole et al.	D767,461 S	9/2016	Kozub et al.
D722,282 S	2/2015	Loeb	D771,528 S	11/2016	Smith et al.
D722,533 S	2/2015	Thole et al.	D771,529 S	11/2016	Thole et al.
D722,534 S	2/2015	Munson et al.	D771,532 S	11/2016	Kapitonov
D724,510 S	3/2015	McMahan et al.	D771,533 S	11/2016	Kapitonov
D725,001 S	3/2015	McMahan et al.	D772,766 S	11/2016	Kozub et al.
D726,591 S	4/2015	Jacob	D772,767 S	11/2016	Kim
D730,776 S	6/2015	Smart	D773,084 S	11/2016	Kapitonov
D730,783 S	6/2015	Henriques et al.	D773,086 S	11/2016	McCabe et al.
D732,427 S	6/2015	Loeb	D774,226 S	12/2016	McCabe et al.
D732,429 S	6/2015	Loeb	D775,003 S	12/2016	Pevovar et al.
D732,430 S	6/2015	Loeb	D775,007 S	12/2016	Thole et al.
D732,431 S	6/2015	Loeb	D775,010 S	12/2016	Kim et al.
D732,432 S	6/2015	Aengenheyster	D775,025 S	* 12/2016	Platto D12/181
D732,433 S	6/2015	Aengenheyster	D775,026 S	* 12/2016	Platto D12/181
D732,435 S	6/2015	Mackay	D775,049 S	12/2016	Scheer et al.
D733,002 S	6/2015	Loeb	D775,549 S	1/2017	Karras
D735,611 S	8/2015	Aengenheyster	D775,554 S	1/2017	Kapitonov
D735,627 S	8/2015	Smith	D776,020 S	1/2017	Kapitonov
D736,451 S	8/2015	Smith	D776,581 S	1/2017	Pevovar et al.
D739,306 S	9/2015	McMahan et al.	D776,583 S	1/2017	Scheer et al.
D739,317 S	9/2015	McMahan et al.	D776,841 S	1/2017	Kozub et al.
D740,726 S	* 10/2015	Platto D12/169	D776,843 S	1/2017	McCabe et al.
D741,223 S	10/2015	Kim et al.	D776,846 S	1/2017	Willett et al.
D742,289 S	* 11/2015	Kerr D12/169	D777,359 S	1/2017	Kozub et al.
D743,309 S	11/2015	Thole et al.	D777,360 S	1/2017	Kozub et al.
D743,313 S	11/2015	Smith et al.	D777,361 S	1/2017	Kozub et al.
D743,314 S	11/2015	Thole et al.	D777,604 S	1/2017	McNerney
D743,857 S	11/2015	McMahan et al.	D777,605 S	1/2017	Ferlazzo et al.
D744,158 S	11/2015	Willett et al.	D777,620 S	1/2017	Pevovar et al.
D745,086 S	12/2015	Finos et al.	D777,621 S	1/2017	Kim
D745,719 S	12/2015	Boniface et al.	D777,622 S	1/2017	Kozub et al.
D745,725 S	12/2015	McMahan et al.	D777,628 S	1/2017	Kozub et al.
D745,726 S	12/2015	McMahan et al.	D777,955 S	1/2017	Willett et al.
D745,837 S	12/2015	Smith et al.	D778,212 S	2/2017	Kozub et al.
D746,726 S	1/2016	Smith et al.	D778,215 S	2/2017	Kozub et al.
D746,727 S	1/2016	Smith et al.	D780,064 S	2/2017	Smith et al.
D746,728 S	1/2016	Smith et al.	D780,067 S	2/2017	Zipfel et al.
			D780,068 S	2/2017	Whitla et al.
			D780,077 S	2/2017	Kim et al.
			D780,081 S	2/2017	Lee
			D780,084 S	2/2017	Scheer et al.

(56)

References Cited

U.S. PATENT DOCUMENTS

D780,631 S	3/2017	Kozub et al.	
D780,644 S	3/2017	Kim et al.	
D781,184 S	3/2017	Thole et al.	
D781,192 S	3/2017	Kozub et al.	
D782,379 S	3/2017	Wassell	
D783,482 S	4/2017	Smith et al.	
D784,213 S	4/2017	Karras	
D784,223 S	4/2017	Lee	
D784,226 S	4/2017	Cheng	
D784,579 S	4/2017	Cheng et al.	
D784,877 S	4/2017	Lee	
D784,886 S	4/2017	Smith et al.	
D785,521 S	5/2017	Smith et al.	
D786,149 S	5/2017	Pevovar et al.	
D786,743 S	5/2017	Smith et al.	
D786,750 S	5/2017	Lee	
D792,293 S *	7/2017	McCabe	D12/169
D793,297 S *	8/2017	Smith	D12/169
D793,301 S *	8/2017	Kozub	D12/169
D793,302 S *	8/2017	Kozub	D12/169
D811,958 S *	3/2018	Zipfel	D12/169
D811,961 S *	3/2018	Sullivan	D12/169
2007/0102942 A1 *	5/2007	Muskos	B60R 19/18 293/102

* cited by examiner

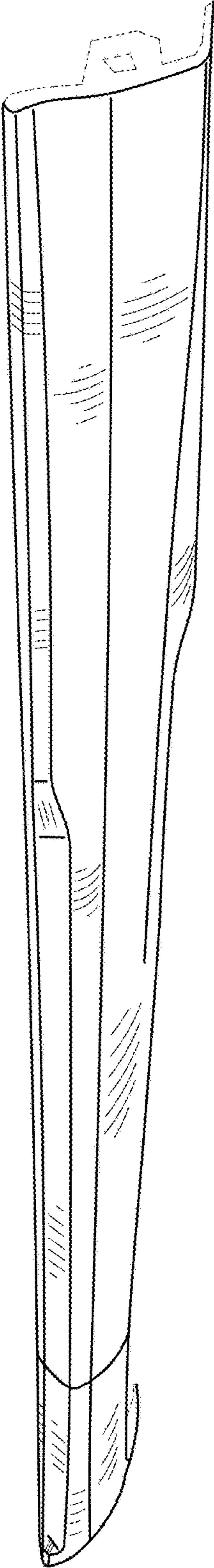


FIG - 1

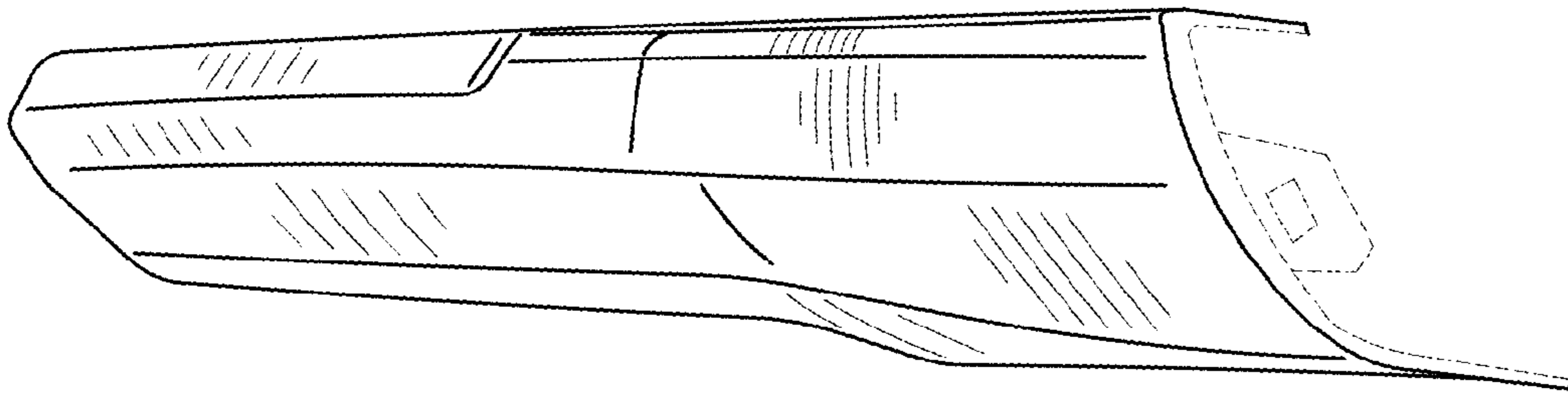


FIG - 2

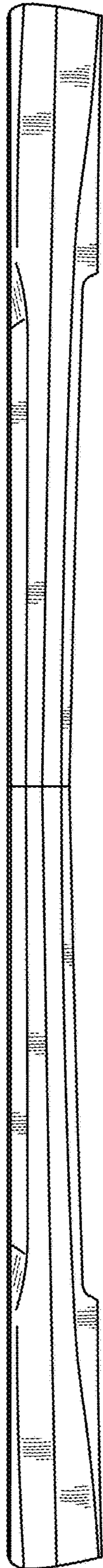


FIG - 3

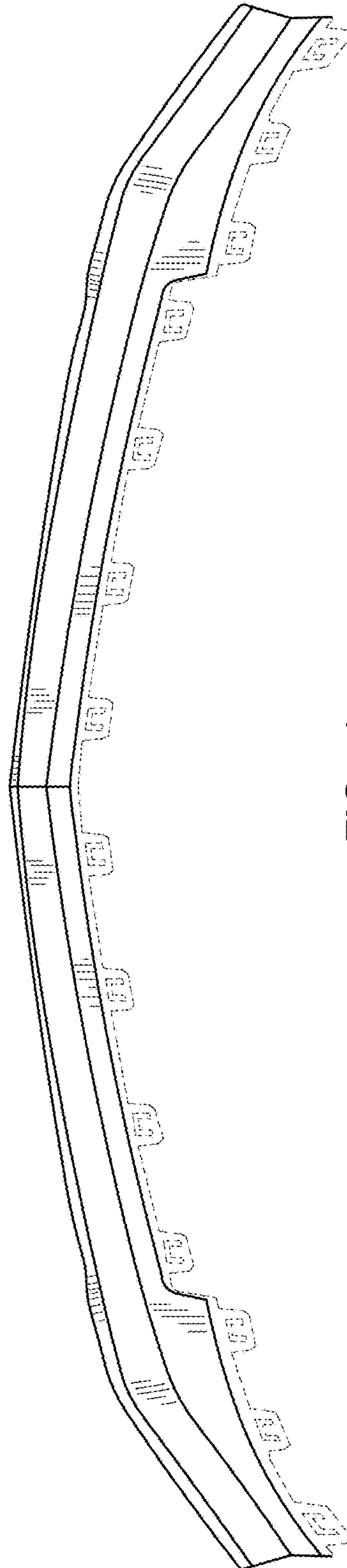


FIG - 4