

US00D862336S

(12) **United States Design Patent** (10) **Patent No.:** **US D862,336 S**
Song (45) **Date of Patent:** **** Oct. 8, 2019**

(54) **DASHBOARD FOR VEHICLES**
(71) Applicants: **HYUNDAI MOTOR COMPANY**,
Seoul (KR); **KIA MOTORS**
CORPORATION, Seoul (KR)
(72) Inventor: **Hyun Song**, Hwaseong-si (KR)
(**) Term: **15 Years**
(21) Appl. No.: **35/505,423**
(22) Filed: **Jul. 3, 2018**
(80) **Hague Agreement Data**
Int. Filing Date: **Jul. 3, 2018**
Int. Reg. No.: **DM/102069**
Int. Reg. Date: **Jul. 3, 2018**
Int. Reg. Pub. Date: **Aug. 10, 2018**

(30) **Foreign Application Priority Data**
Feb. 26, 2018 (KR) 30-2018-0009400
(51) **LOC (12) Cl.** **12-16**
(52) **U.S. Cl.**
USPC **D12/192**
(58) **Field of Classification Search**
USPC D12/110, 114, 192, 195, 415; D10/98,
D10/102, 103, 122-127; D15/17
CPC B60R 11/0241; B60R 11/0229; B60R
11/0252; B60K 35/00; G01C 21/30;
G01C 21/3688; G01C 21/16
See application file for complete search history.

(56) **References Cited**
U.S. PATENT DOCUMENTS
D432,474 S * 10/2000 Sacco D12/192
6,129,406 A * 10/2000 Dauvergne B60K 37/00
296/70
D440,193 S * 4/2001 Pfeiffer D12/192

D464,008 S * 10/2002 Siegert D12/192
6,464,281 B2 * 10/2002 Volkmann B60K 37/00
224/926
D469,391 S * 1/2003 Pfeiffer D12/192
D480,671 S * 10/2003 Pfeiffer D12/192
D492,631 S * 7/2004 Pfeiffer D12/192
D492,632 S * 7/2004 Pfeiffer D12/192
D493,757 S * 8/2004 Pfeiffer D12/192
D494,115 S * 8/2004 McPeck D12/192
D494,908 S * 8/2004 Pfeiffer D12/192
6,872,134 B2 * 3/2005 Mills B60H 1/00028
454/121
D504,369 S * 4/2005 Pfeiffer D12/192
D512,005 S * 11/2005 Seidel D12/192
D512,671 S * 12/2005 Juraschek D12/192
D514,490 S * 2/2006 Pfeiffer D12/192
D532,353 S * 11/2006 Honda D12/192
D534,467 S * 1/2007 Pfeiffer D12/192
D538,721 S * 3/2007 Woodard, Jr. D12/192
D593,470 S * 6/2009 Duan D12/192
D593,916 S * 6/2009 Kulla D12/192
D597,009 S * 7/2009 Tan D12/192
D598,353 S * 8/2009 Dai D12/192
D622,195 S * 8/2010 Lester D12/192

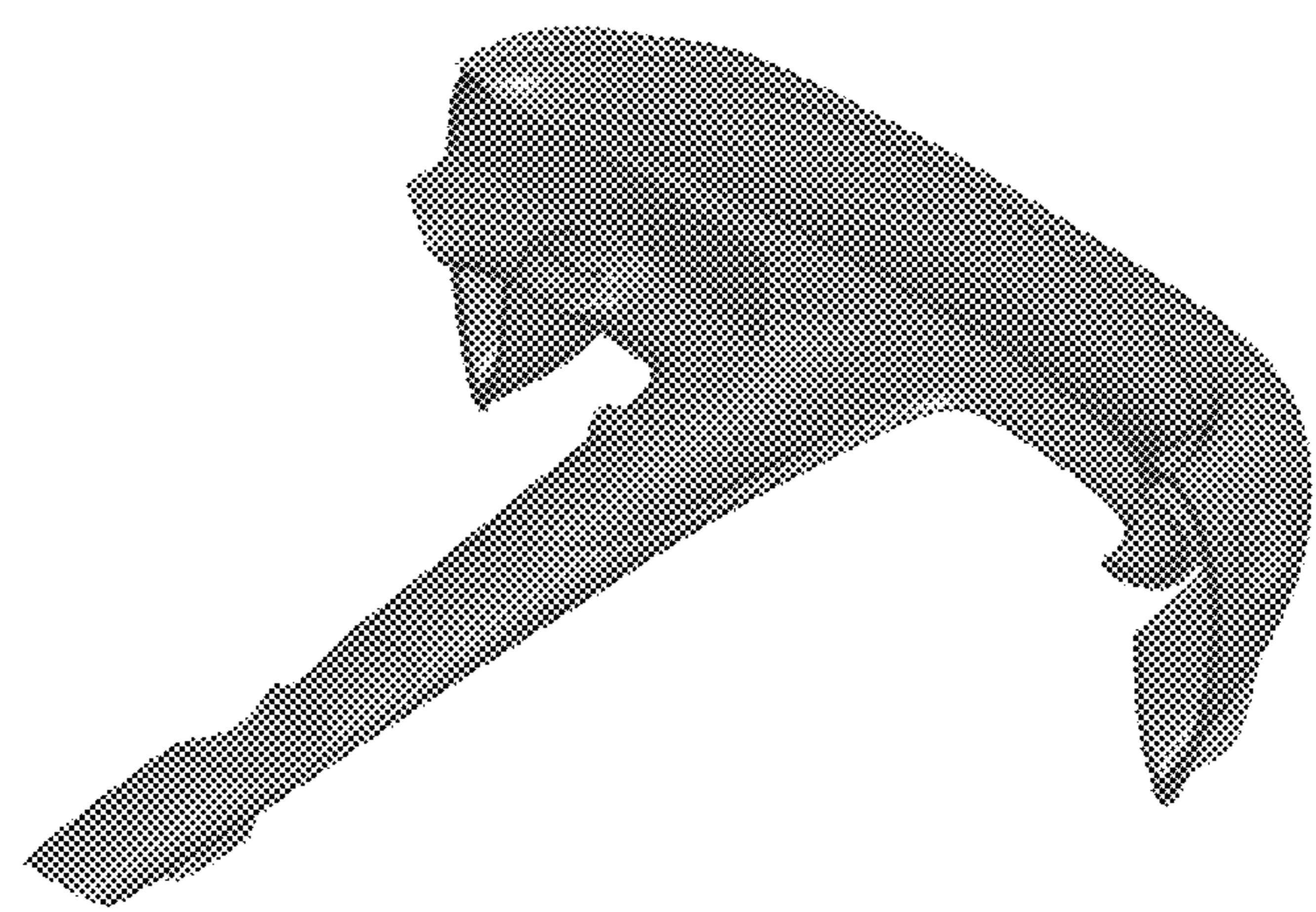
(Continued)

Primary Examiner — Darlington Ly

(57) **CLAIM**
The ornamental design for a dashboard for vehicles, as shown and described.

DESCRIPTION
1. Dashboard for vehicles
1.1 is a top, front, and right side perspective view of a dashboard for vehicles showing our new design;
1.2 is a top, front, and left side perspective view thereof;
1.3 is a front elevation view thereof;
1.4 is a rear elevation view thereof;
1.5 is a left side elevation view thereof;
1.6 is a right side elevation view thereof;
1.7 is a top plan view thereof; and
1.8 is a bottom plan view thereof.

1 Claim, 8 Drawing Sheets



(56)

References Cited

U.S. PATENT DOCUMENTS

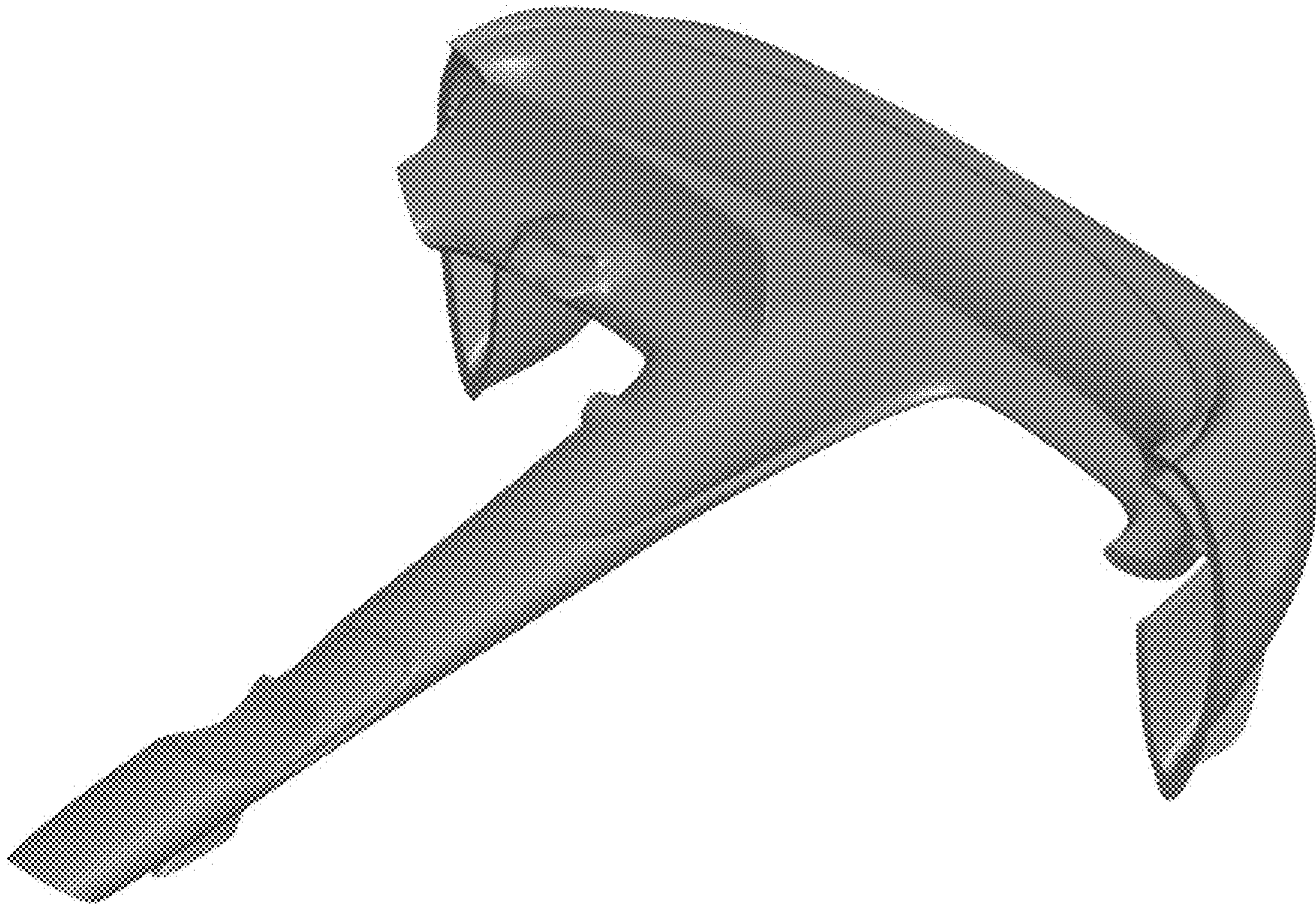
7,823,952	B2 *	11/2010	Utsugi	B60K 35/00 296/70
D654,004	S *	2/2012	Hamajima	D12/192
D697,847	S *	1/2014	Waugh	D12/192
D697,850	S *	1/2014	Waugh	D12/192
D772,128	S *	11/2016	Platt	D12/192
D775,563	S *	1/2017	Shan	D12/192
D791,663	S *	7/2017	Gonzalez	D12/192
D793,314	S *	8/2017	Yoon	D12/192
D801,245	S *	10/2017	Giolito	D12/192
D808,874	S *	1/2018	Gao	D12/192
D843,288	S *	3/2019	Fontaeus	D12/192

* cited by examiner

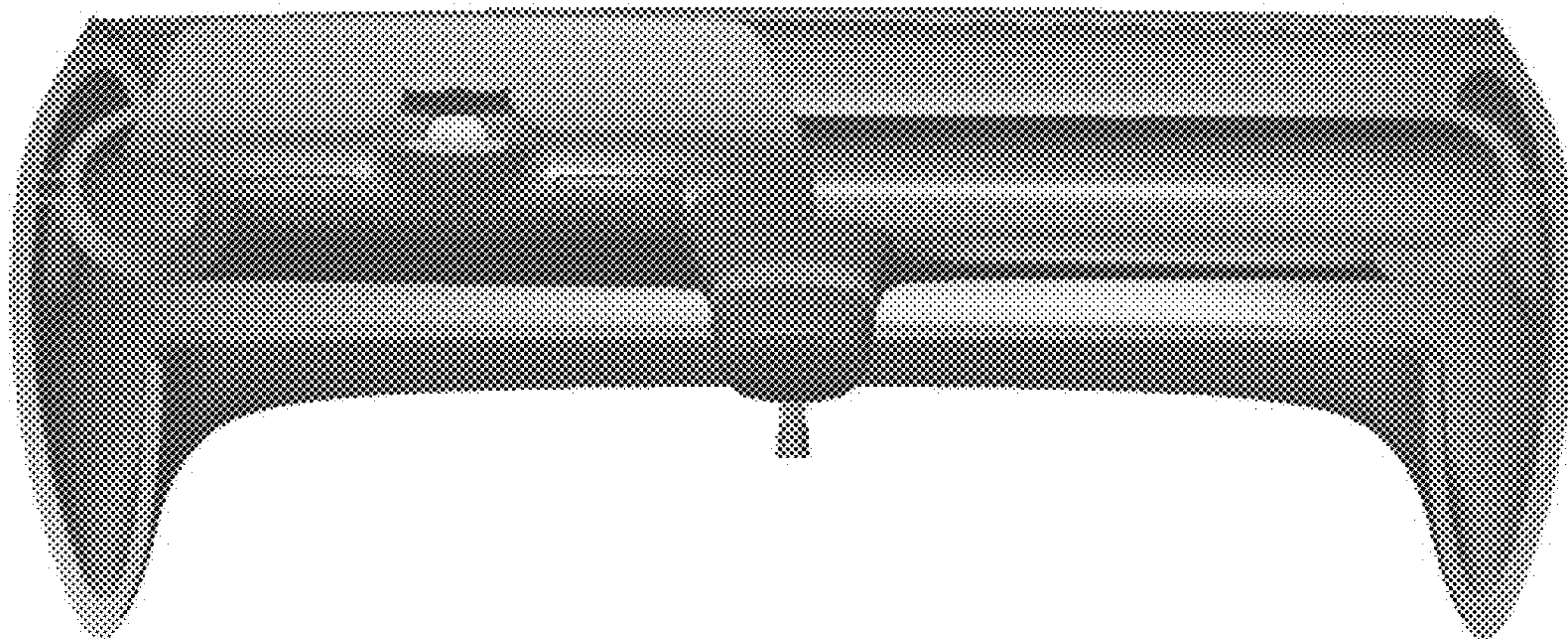
1.1



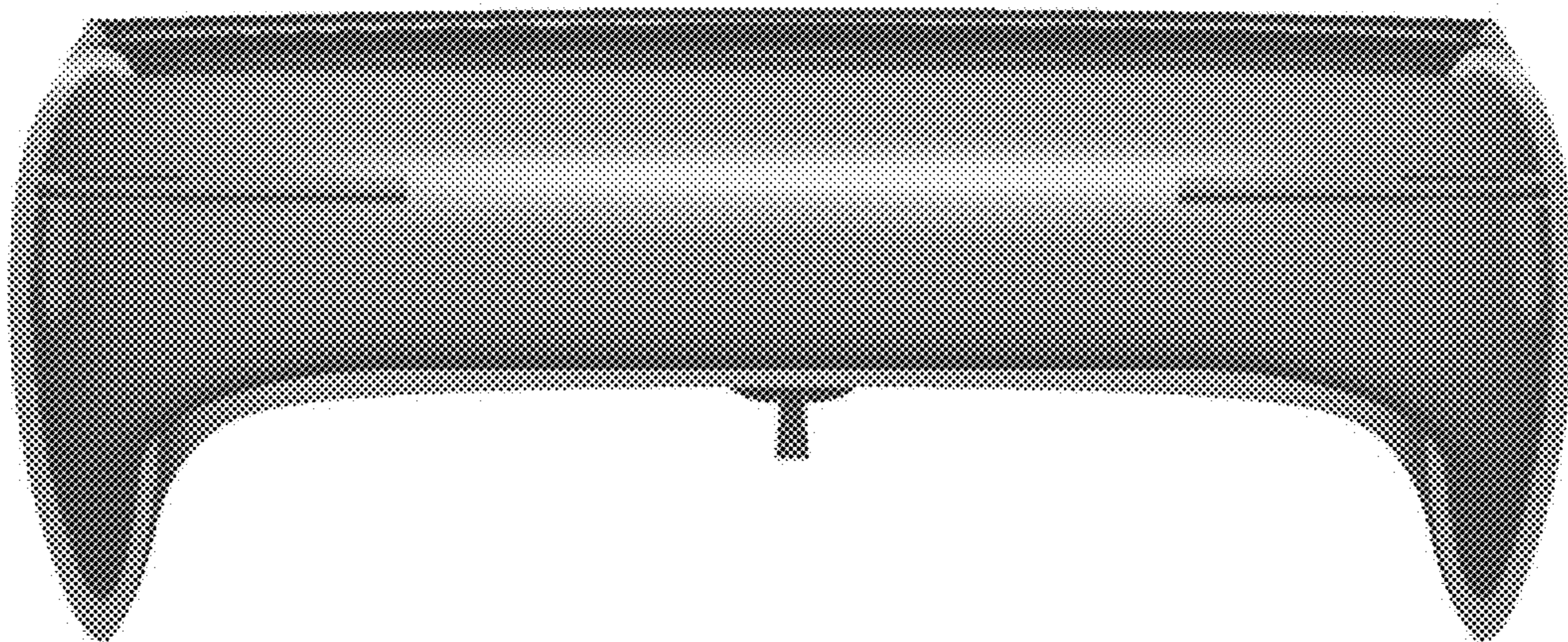
1.2



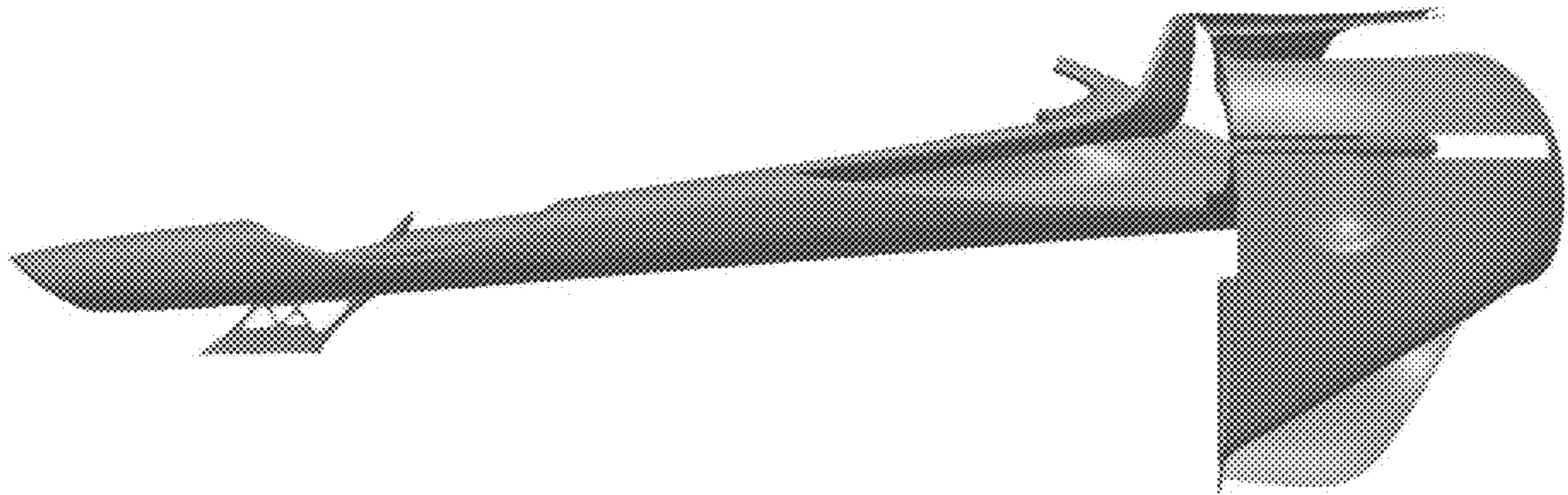
1.3



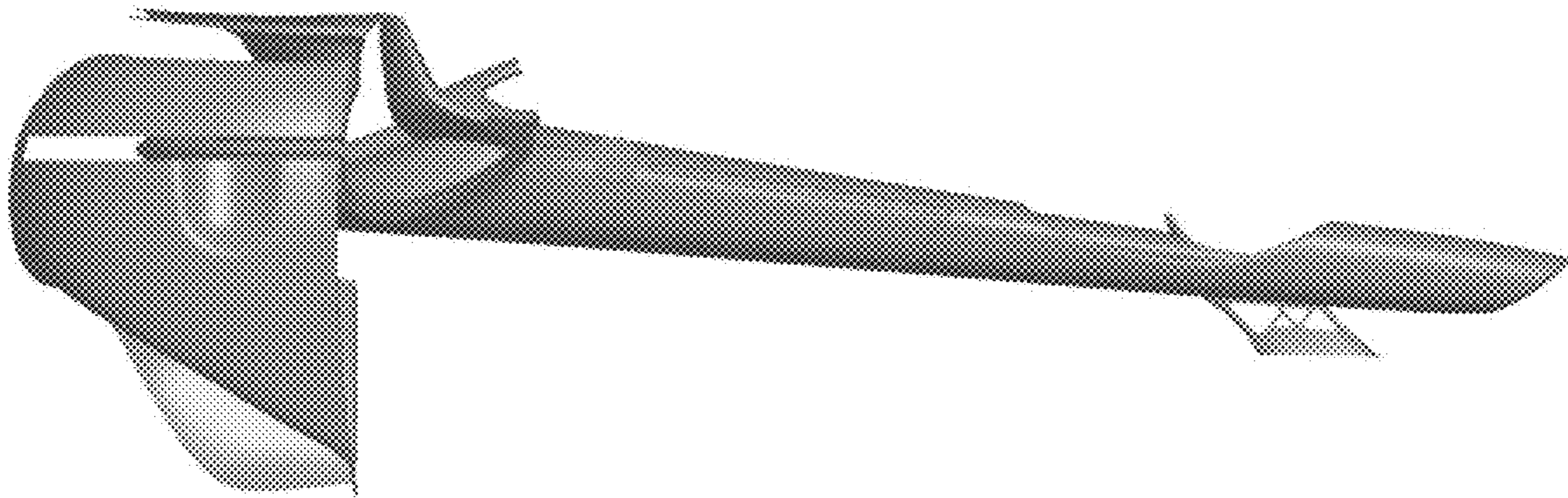
1.4



1.5



1.6



1.7



1.8

