



US00D862335S

(12) **United States Design Patent** (10) **Patent No.:** **US D862,335 S**  
**Dabel et al.** (45) **Date of Patent:** **\*\* Oct. 8, 2019**

(54) **INSTRUMENT CLUSTER FOR VEHICLE**  
(71) Applicant: **Volvo Lastvagnar AB**, Göteborg (DE)  
(72) Inventors: **Jason Dabel**, Greensboro, NC (US);  
**Adriana Perez-Cross**, Greensboro, NC  
(US); **Brian Balicki**, Kernersville, NC  
(US)  
(73) Assignee: **Volvo Lastvagnar AB**, Göteborg (SE)  
(\*\*) Term: **15 Years**  
(21) Appl. No.: **29/644,823**  
(22) Filed: **Apr. 20, 2018**

D800,040 S 10/2017 Kasano  
D803,743 S 11/2017 Igarashi  
D804,380 S 12/2017 Nakai  
D807,266 S 1/2018 Hasegawa  
D808,874 S \* 1/2018 Gao ..... D12/192  
D810,641 S \* 2/2018 Bae ..... D12/192  
D810,643 S 2/2018 Takamura  
D812,536 S 3/2018 Matsuda  
D813,128 S \* 3/2018 Bischoff ..... D12/192  
D820,753 S \* 6/2018 Lee ..... D12/192  
2008/0161997 A1 \* 7/2008 Wengelnik ..... B60K 35/00  
701/36  
2016/0291806 A1 \* 10/2016 Civiero ..... G06F 3/0482  
2016/0297368 A1 10/2016 Huebner  
2017/0162168 A1 \* 6/2017 Lopez ..... G09G 5/006  
2017/0359455 A1 \* 12/2017 Weinberg ..... H04M 1/7253

**Related U.S. Application Data**

(62) Division of application No. 29/600,055, filed on Apr. 10, 2017.  
(51) **LOC (12) Cl.** ..... **12-16**  
(52) **U.S. Cl.**  
USPC ..... **D12/192**  
(58) **Field of Classification Search**  
USPC ..... D12/192, 415, 418, 419, 110, 114, 345;  
D15/17, 28; D10/46, 98, 102-103,  
D10/122-127  
CPC ..... G08G 1/096883; G01C 21/16; G01C  
21/3688; G01C 21/30  
See application file for complete search history.

**References Cited**

**U.S. PATENT DOCUMENTS**

D791,660 S \* 7/2017 Arceo ..... D12/192  
D791,664 S 7/2017 Igarashi  
D793,931 S 8/2017 Lee  
D799,389 S \* 10/2017 Lee ..... D12/192

**OTHER PUBLICATIONS**

Images of Volvo VNL Truck, released 2002, 2 pages.

\* cited by examiner

*Primary Examiner* — Katrina A Betton

(74) *Attorney, Agent, or Firm* — Tucker Ellis LLP

(57) **CLAIM**

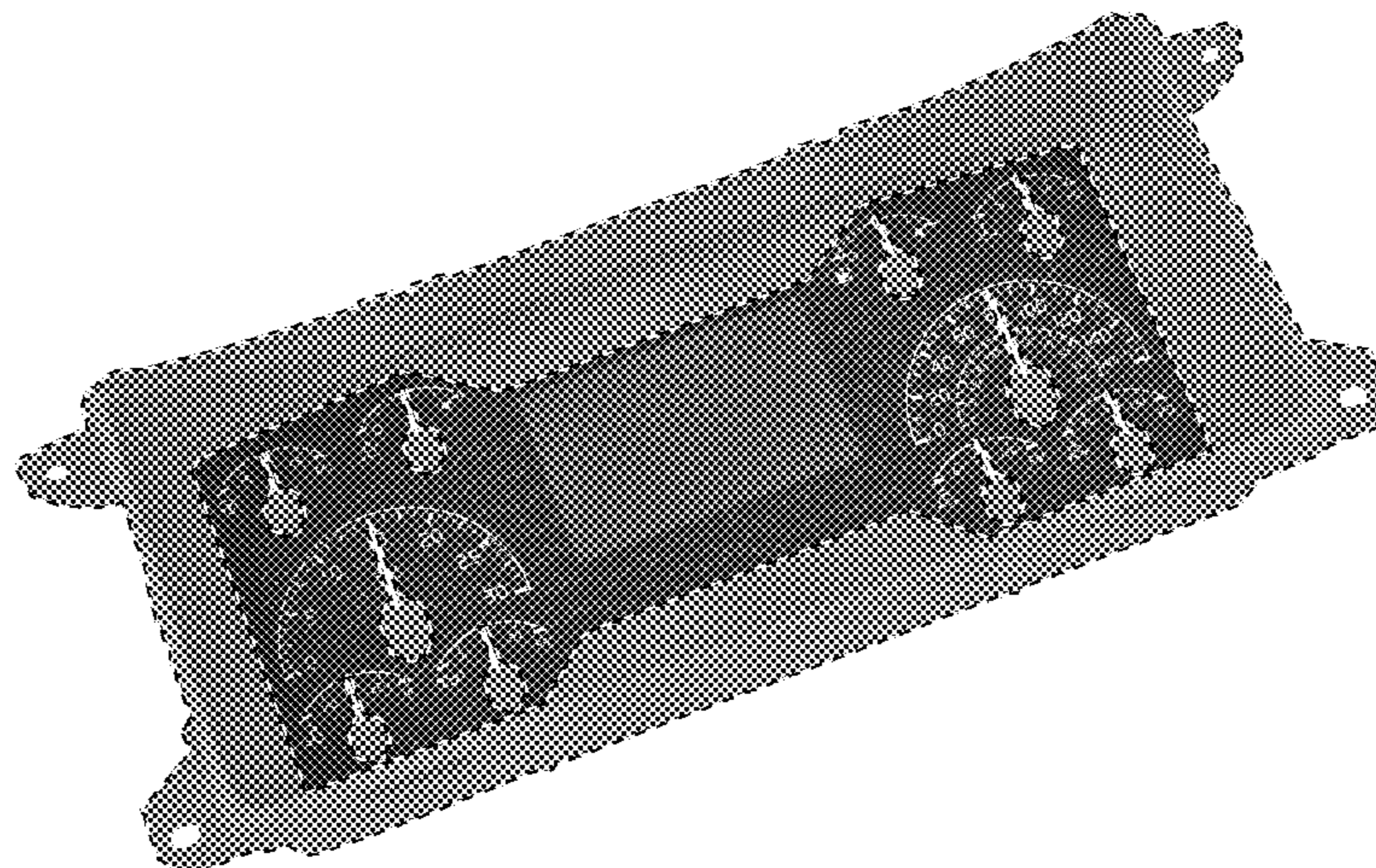
The ornamental design for an instrument cluster for vehicle, as shown and described.

**DESCRIPTION**

FIG. 1 is a perspective view of an instrument cluster for vehicle showing our new design; and, FIG. 2 is a front view thereof.

The broken lines and de-emphasized portions shown inside the broken lines in the drawings illustrate portions of the instrument cluster for vehicle that form no part of the claimed design.

**1 Claim, 1 Drawing Sheet**



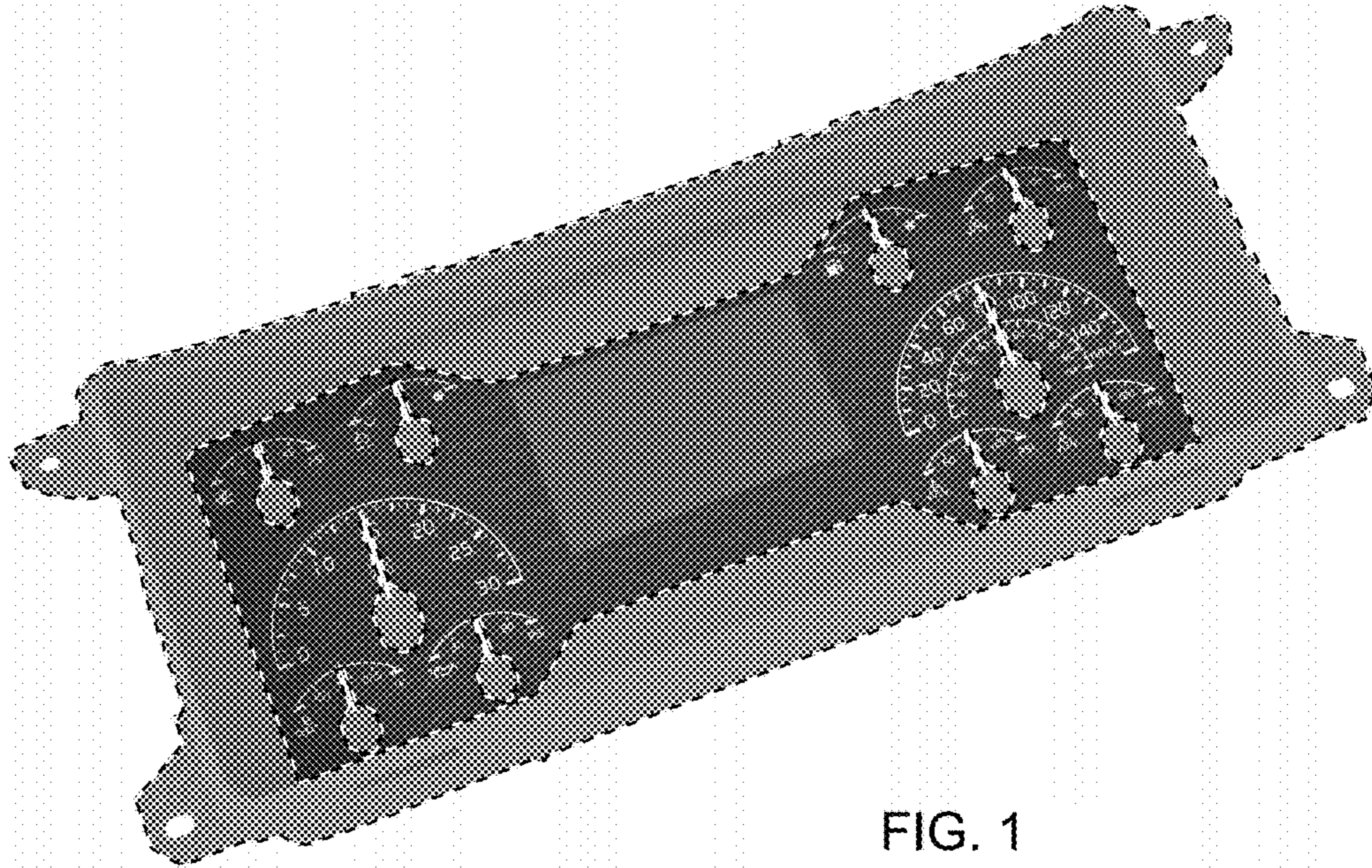


FIG. 1

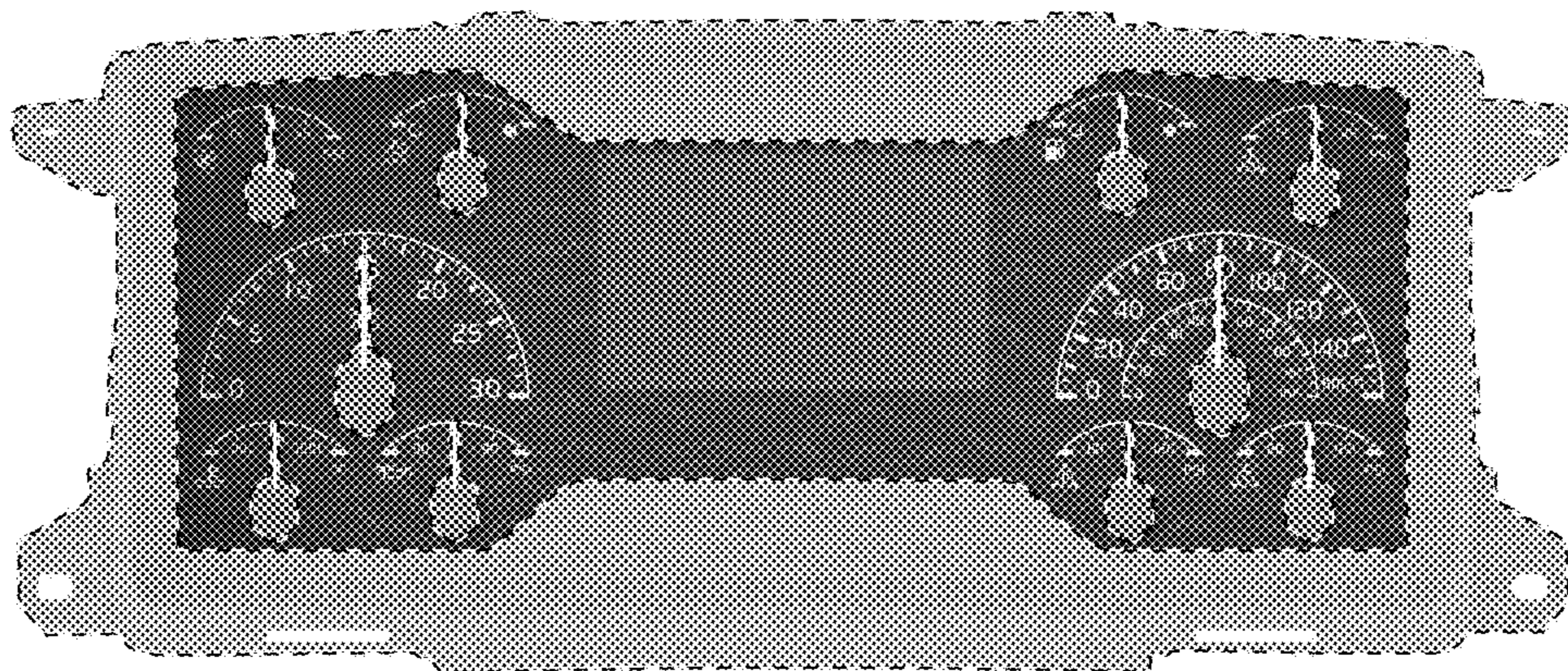


FIG. 2