



US00D862334S

(12) **United States Design Patent** (10) **Patent No.:** **US D862,334 S**
Dabel et al. (45) **Date of Patent:** **** Oct. 8, 2019**

(54) **INSTRUMENT CLUSTER FOR VEHICLE**
(71) Applicant: **Volvo Lastvagnar AB**, Göteborg (SE)
(72) Inventors: **Jason Dabel**, Greensboro, NC (US);
Adriana Perez-Cross, Greensboro, NC
(US); **Brian Balicki**, Kernersville, NC
(US)
(73) Assignee: **Volvo Lastvagnar AB**, Göteborg (SE)

(**) Term: **15 Years**
(21) Appl. No.: **29/644,822**
(22) Filed: **Apr. 20, 2018**

Related U.S. Application Data

(62) Division of application No. 29/600,055, filed on Apr. 10, 2017.
(51) **LOC (12) Cl.** **12-16**
(52) **U.S. Cl.**
USPC **D12/192**
(58) **Field of Classification Search**
USPC D12/192, 415, 418, 419, 110, 114, 345;
D15/17, 28; D10/46, 98, 102-103,
D10/122-127
CPC G08G 1/096883; G01C 21/16; G01C
21/3688; G01C 21/30
See application file for complete search history.

(56) **References Cited**

U.S. PATENT DOCUMENTS

D791,660 S * 7/2017 Arceo D12/192
D791,664 S 7/2017 Igarashi

D793,931 S 8/2017 Lee
D799,389 S * 10/2017 Lee D12/192
D800,040 S 10/2017 Kasano
D803,743 S 11/2017 Igarashi
D804,380 S 12/2017 Nakai
D807,266 S 1/2018 Hasegawa
D808,874 S * 1/2018 Gao D12/192
D810,641 S * 2/2018 Bae D12/192
D810,643 S 2/2018 Takamura
D812,536 S 3/2018 Matsuda
D813,128 S * 3/2018 Bischoff D12/192
D820,753 S * 6/2018 Lee D12/192
2008/0161997 A1 * 7/2008 Wengelnik B60K 35/00
701/36
2016/0291806 A1 * 10/2016 Civiero G06F 3/0482
2016/0297368 A1 10/2016 Huebner
2017/0162168 A1 * 6/2017 Lopez G09G 5/006
2017/0359455 A1 * 12/2017 Weinberg H04M 1/7253

* cited by examiner

Primary Examiner — Katrina A Betton
(74) *Attorney, Agent, or Firm* — Tucker Ellis LLP

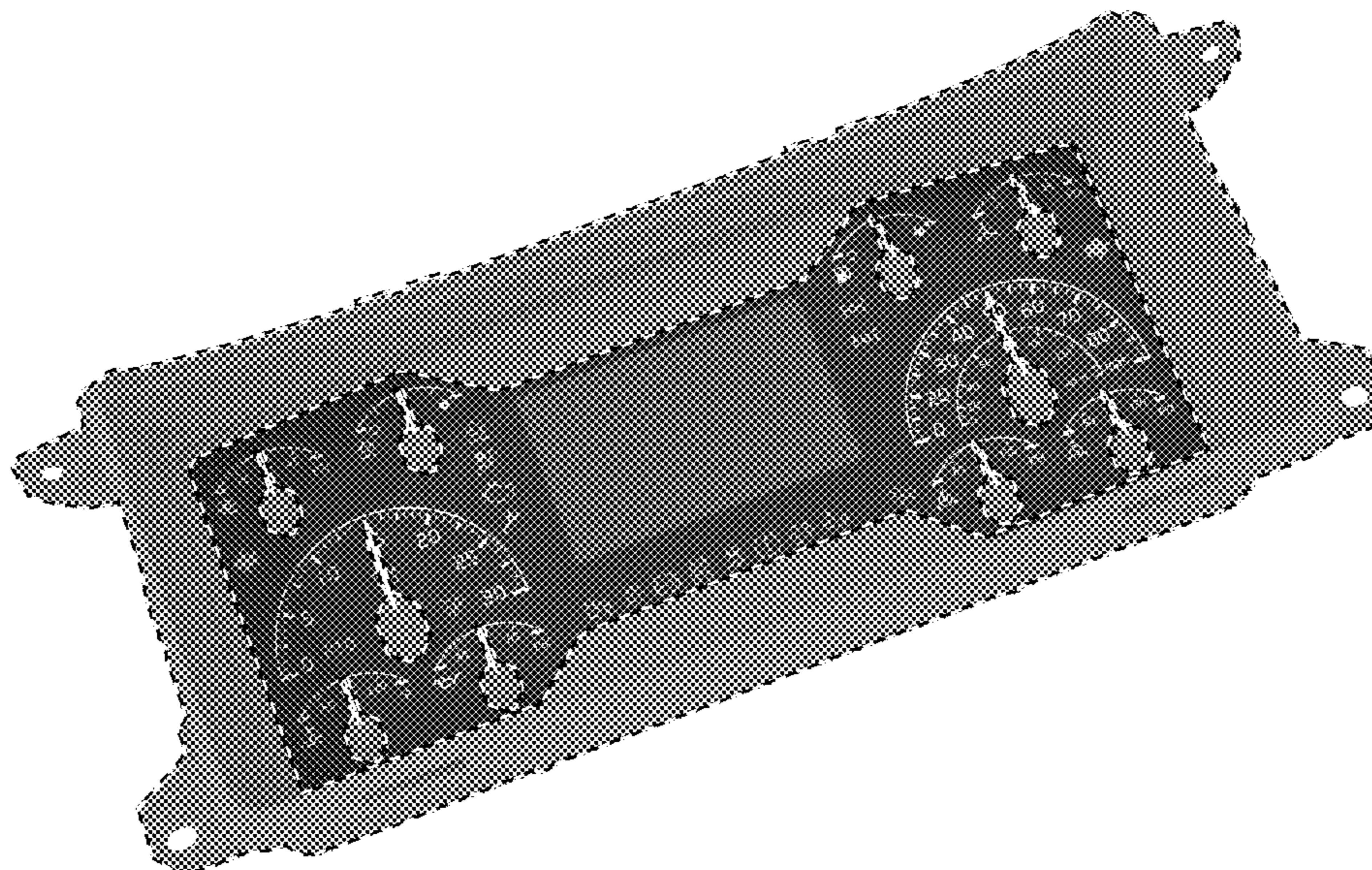
(57) **CLAIM**

The ornamental design for an instrument cluster for vehicle, as shown and described.

DESCRIPTION

FIG. 1 is a perspective view of an instrument cluster for vehicle showing our new design; and, FIG. 2 is a front view thereof. The broken lines and de-emphasized portions shown inside the broken lines in the drawings illustrate portions of the instrument cluster for vehicle that form no part of the claimed design.

1 Claim, 1 Drawing Sheet



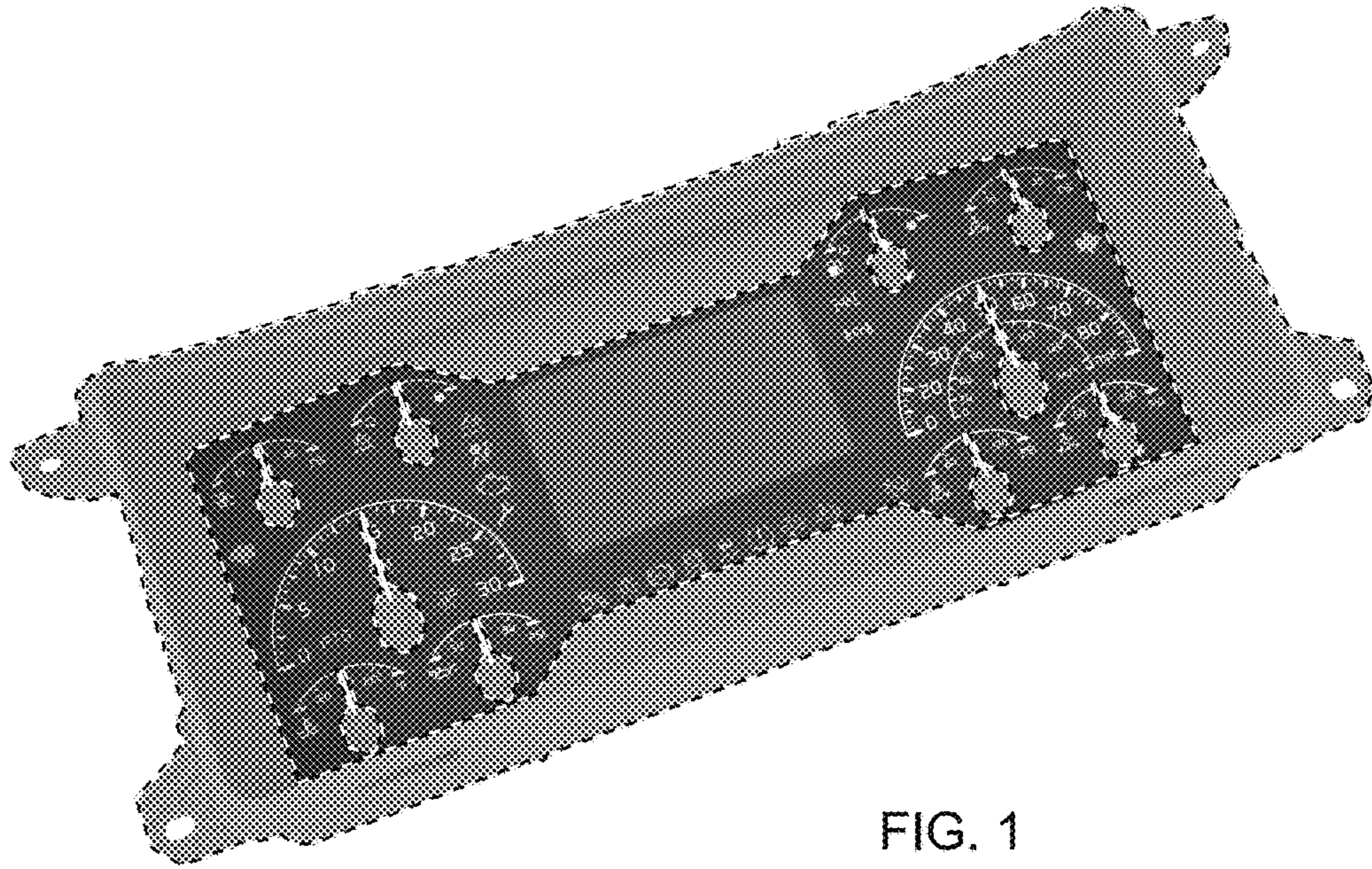


FIG. 1

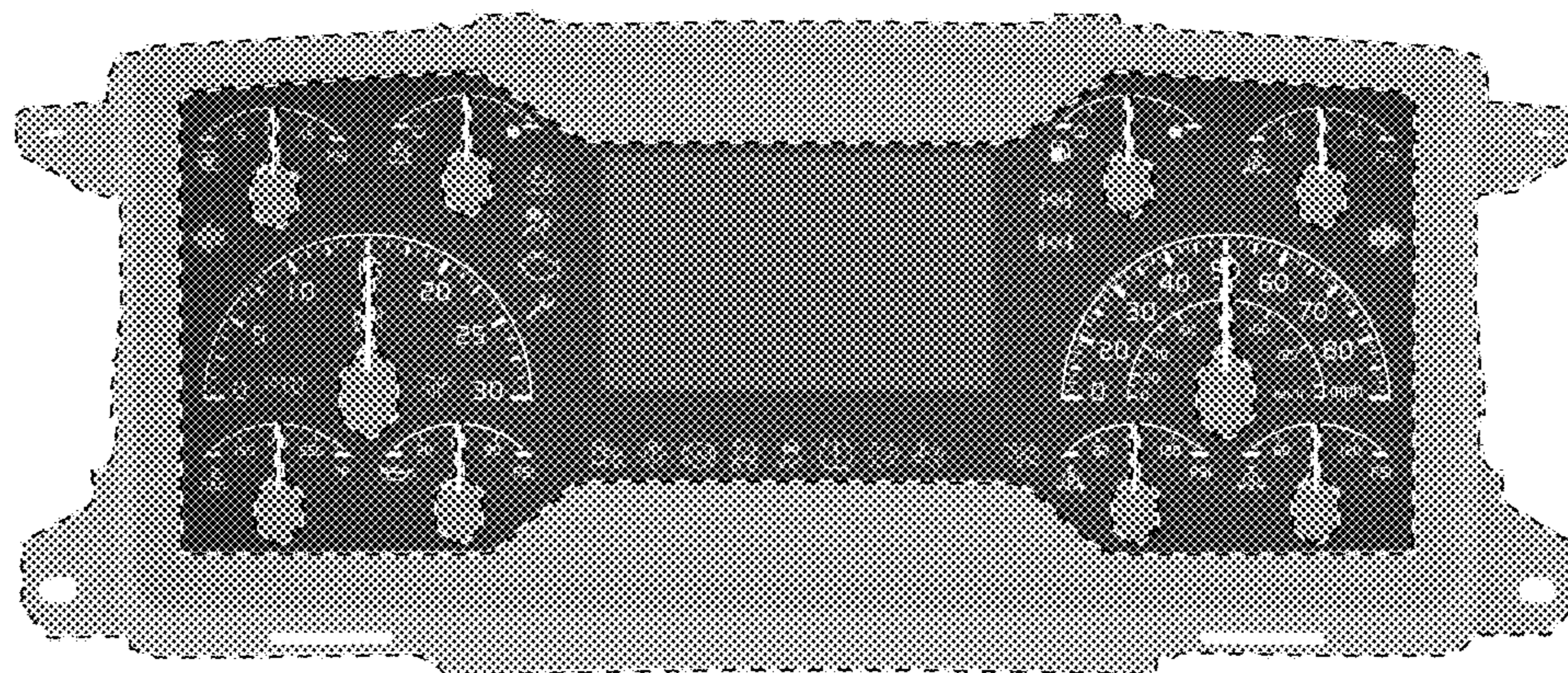


FIG. 2