

US00D862333S

(12) **United States Design Patent**
Song et al.

(10) **Patent No.:** **US D862,333 S**
(45) **Date of Patent:** **** Oct. 8, 2019**

(54) **REARVIEW MIRROR FOR VEHICLES**

(71) Applicant: **LG ELECTRONICS INC.**, Seoul
(KR)

(72) Inventors: **Seunghwan Song**, Seoul (KR);
Seungmo Kang, Seoul (KR); **Hansoo Kim**, Seoul (KR)

(73) Assignee: **LG ELECTRONICS INC.**, Seoul
(KR)

(**) Term: **15 Years**

(21) Appl. No.: **35/505,380**

(22) Filed: **Jan. 25, 2018**

(80) **Hague Agreement Data**

Int. Filing Date: **Jan. 25, 2018**
Int. Reg. No.: **DM/100738**
Int. Reg. Date: **Jan. 25, 2018**
Int. Reg. Pub. Date: **Jul. 27, 2018**

(30) **Foreign Application Priority Data**

Jul. 27, 2017 (KR) 30-2017-0034770

(51) **LOC (12) Cl.** **12-16**

(52) **U.S. Cl.**
USPC **D12/187**

(58) **Field of Classification Search**
USPC D12/187
See application file for complete search history.

(56) **References Cited**

U.S. PATENT DOCUMENTS

D351,370 S * 10/1994 Lawlor D12/187
D400,481 S * 11/1998 Stephens D12/187

D451,456 S * 12/2001 Santo D12/187
D478,537 S * 8/2003 Ono D12/187
D755,689 S * 5/2016 Suesse D12/187
D797,627 S * 9/2017 Faust D12/187
D798,207 S * 9/2017 Faust D12/187

* cited by examiner

Primary Examiner — George D. Kirschbaum

(74) *Attorney, Agent, or Firm* — Birch, Stewart, Kolasch & Birch, LLP

(57) **CLAIM**

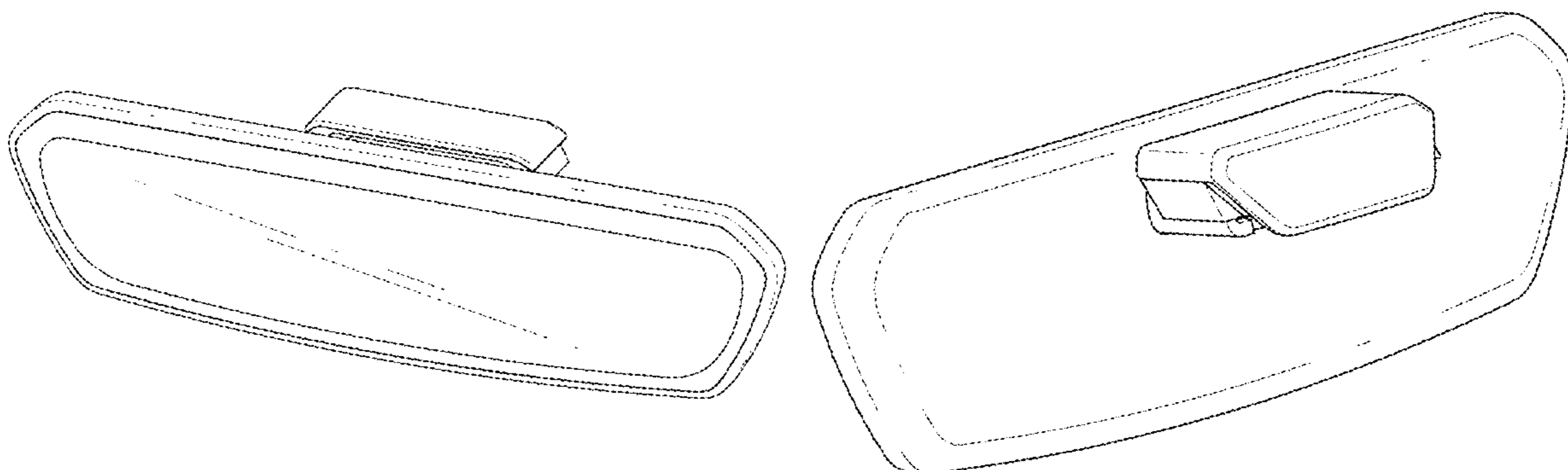
The ornamental design for a rearview mirror for vehicles, as shown and described.

DESCRIPTION

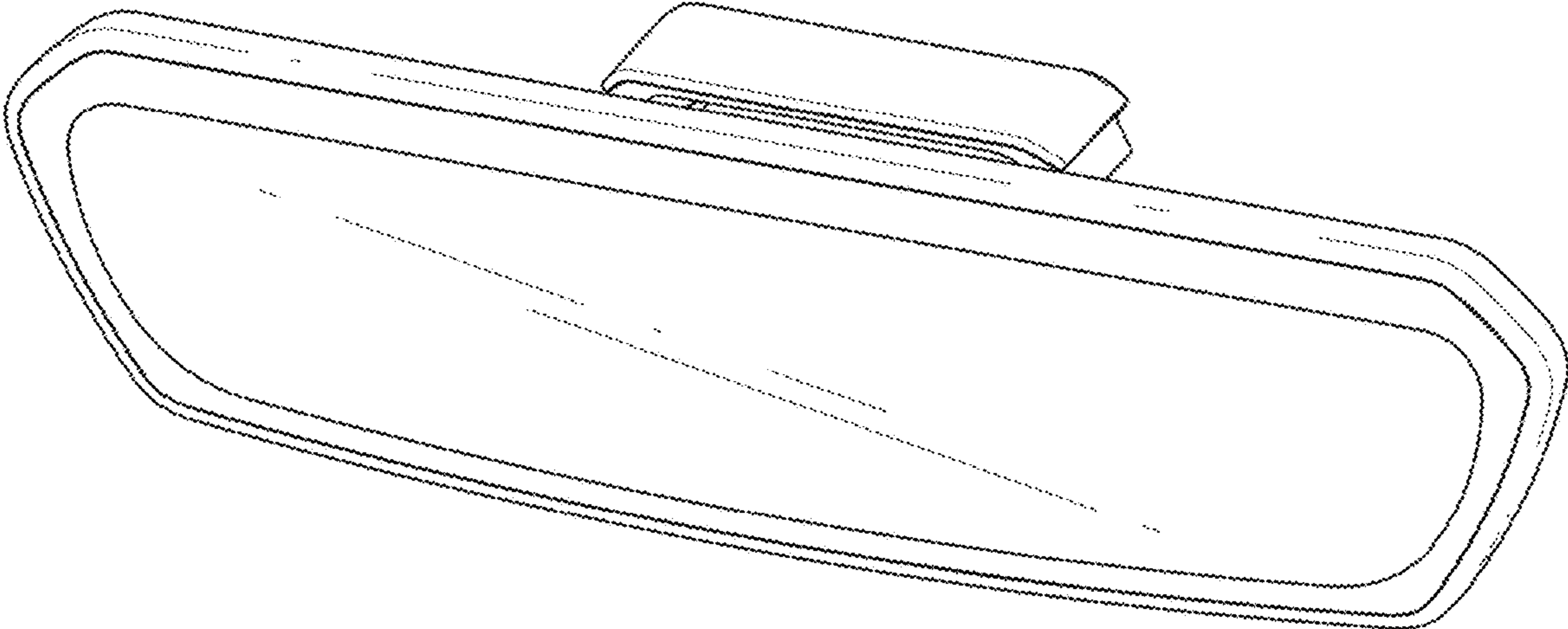
- 1. Rearview mirror for vehicles
- 1.1 : Perspective
- 1.2 : Rear perspective view
- 1.3 : Front
- 1.4 : Back
- 1.5 : Left
- 1.6 : Right
- 1.7 : Top
- 1.8 : Bottom
- 1.9 : Reference

The broken lines indicate unclaimed portion of the article that form no part of the claimed design; reproduction 1.9 is reference view showing the subject design installed on the overhead console for vehicles and forms no part of the claimed design.

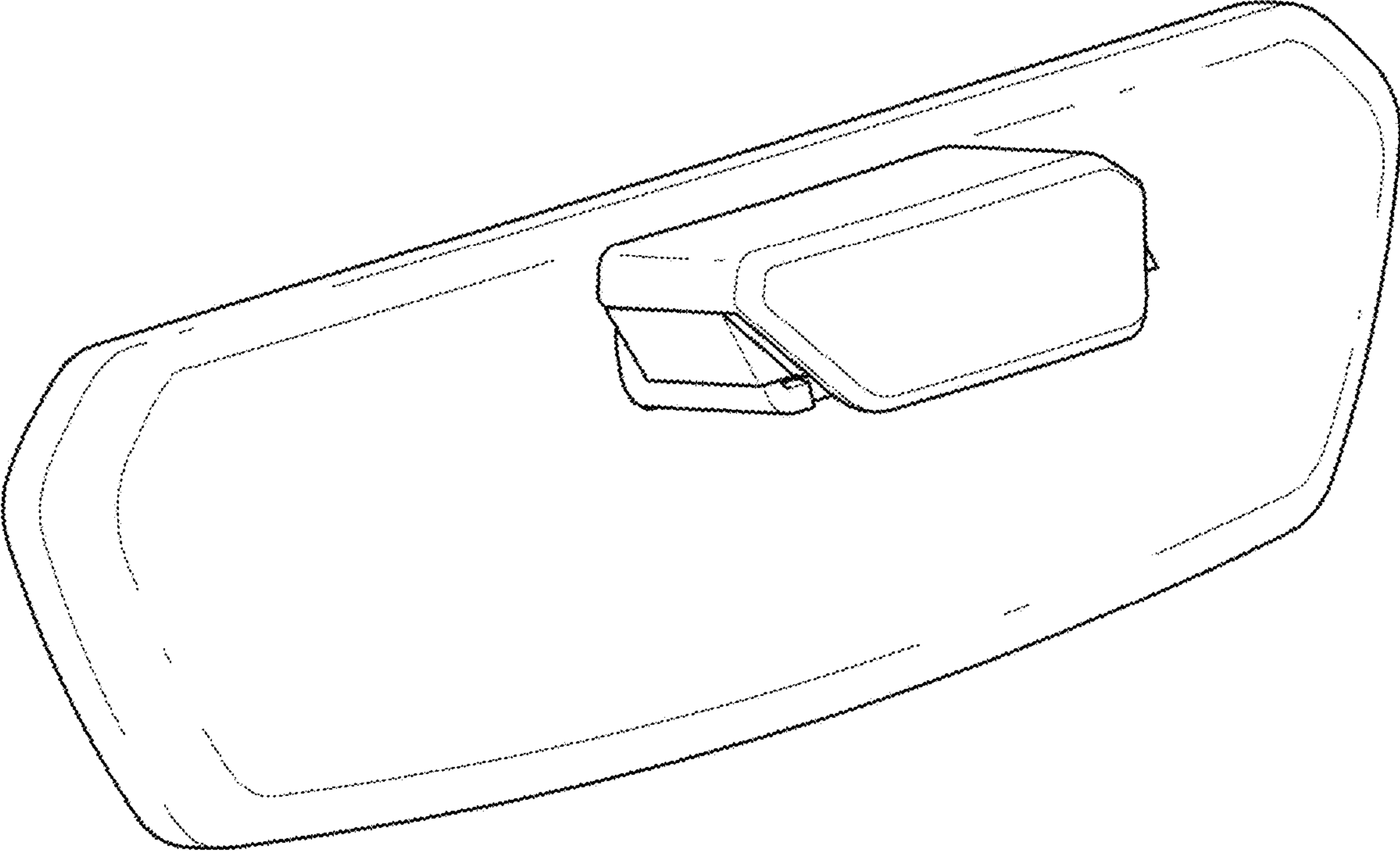
1 Claim, 9 Drawing Sheets



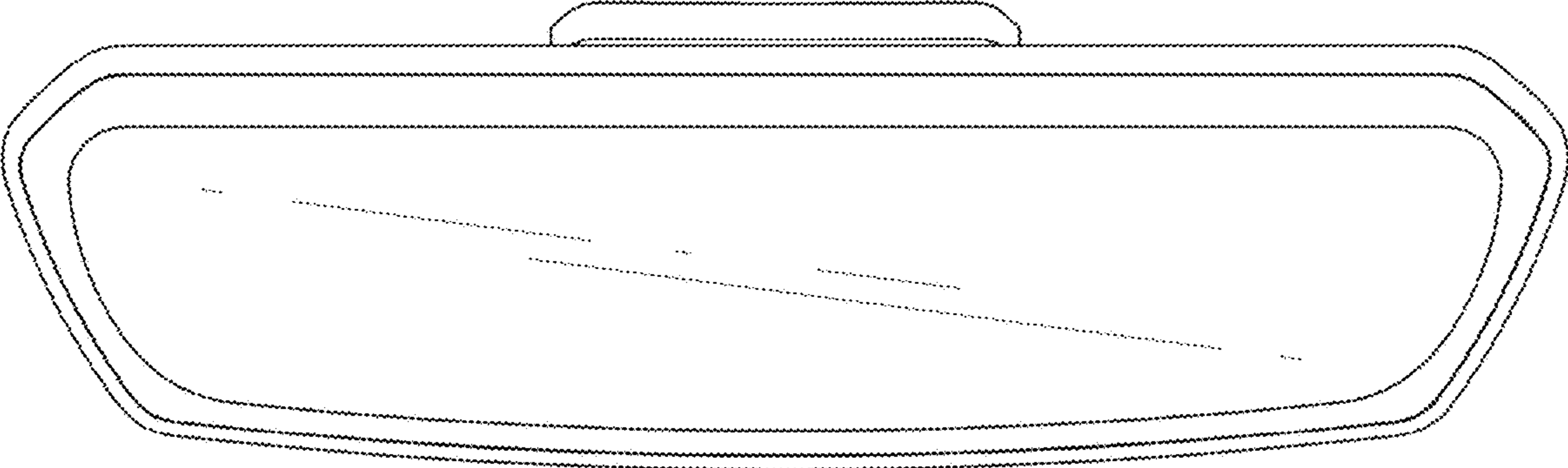
1.1



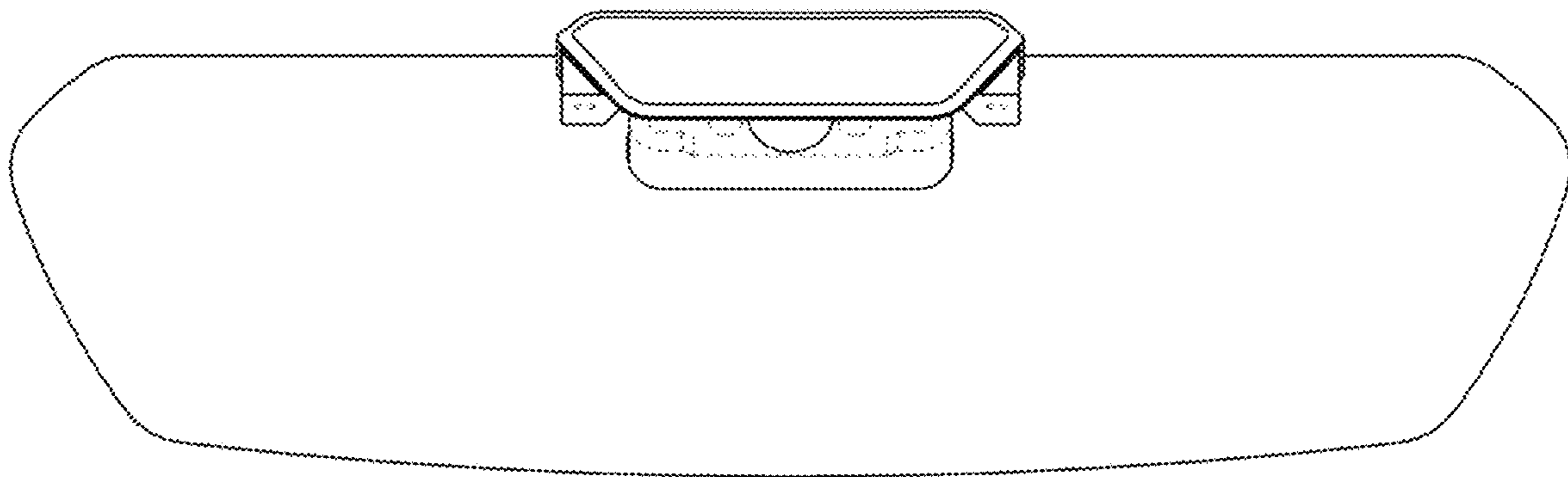
1.2



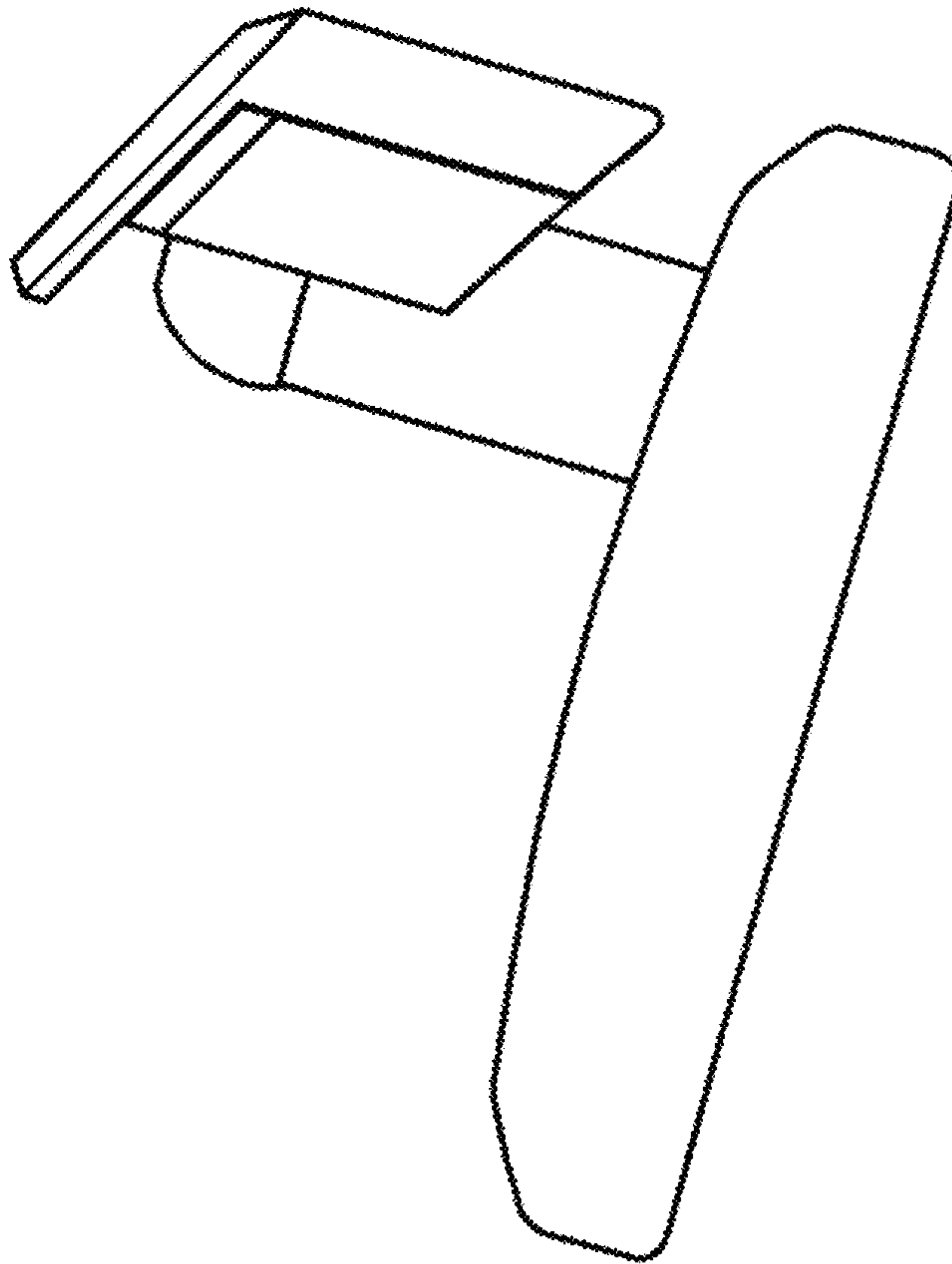
1.3



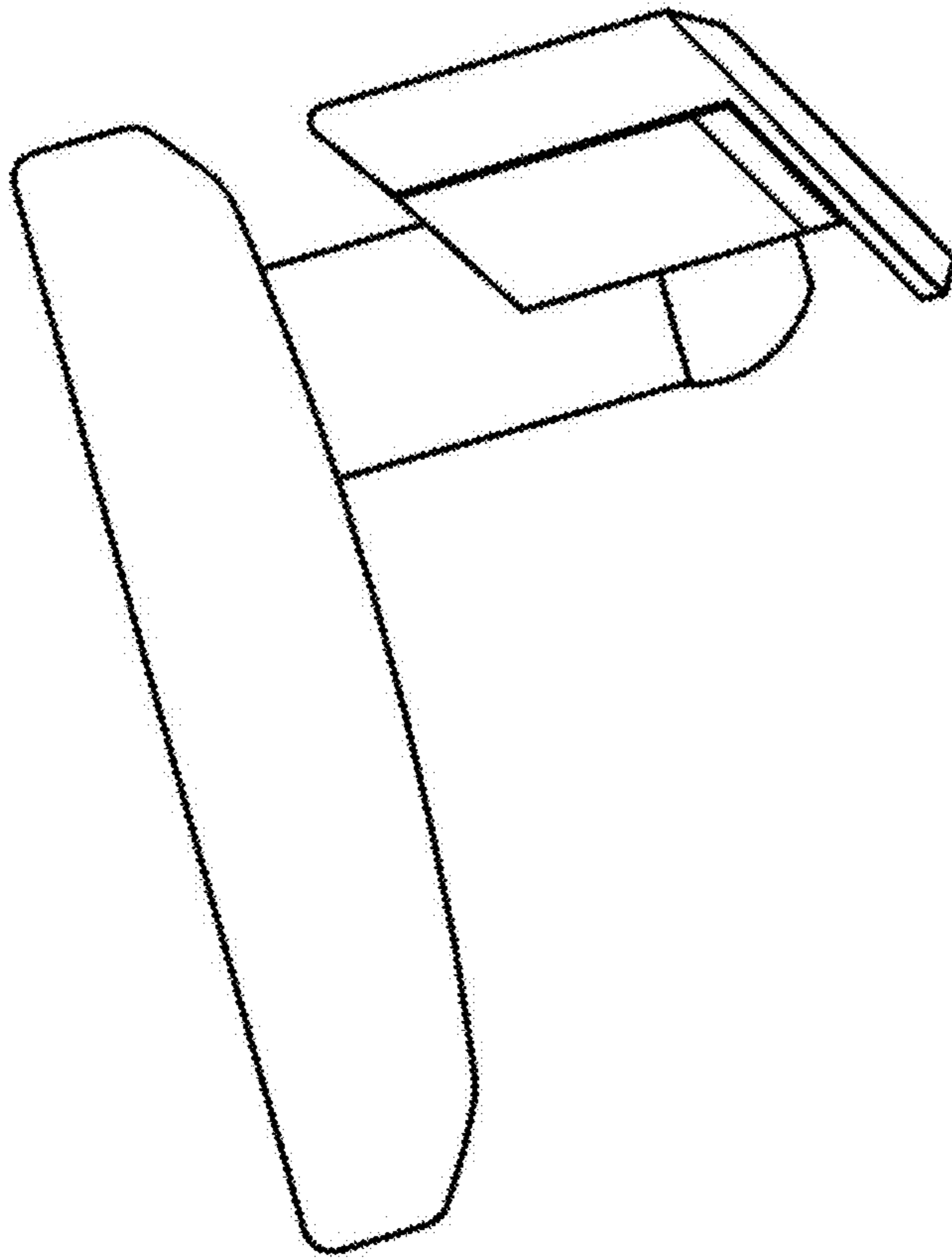
1.4



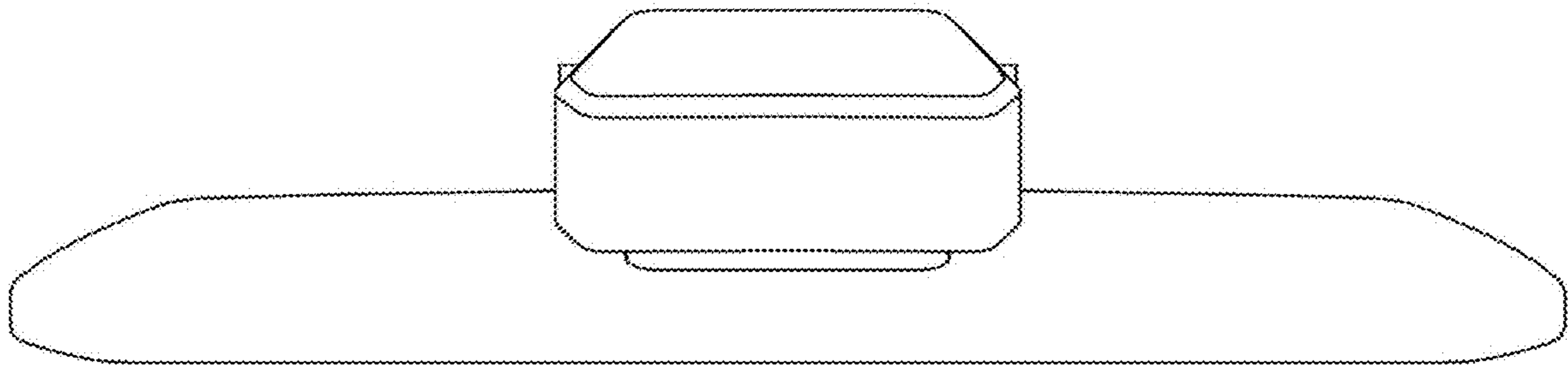
1.5



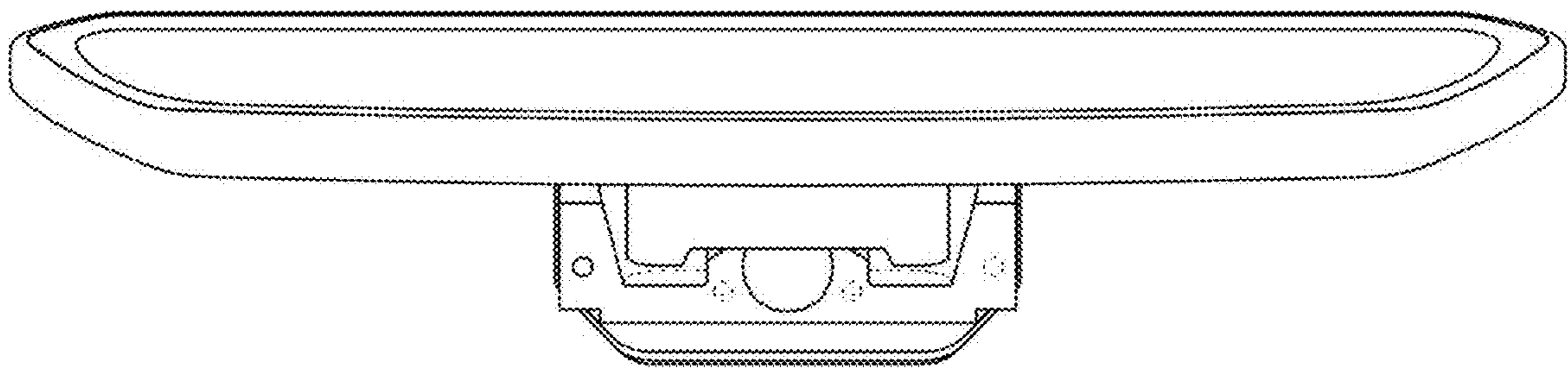
1.6



1.7



1.8



1.9

