



US00D862332S

(12) **United States Design Patent** (10) **Patent No.:** **US D862,332 S**  
**Woodhouse et al.** (45) **Date of Patent:** **\*\* Oct. 8, 2019**

(54) **VEHICLE MIRROR**  
(71) Applicant: **Ford Global Technologies, LLC**,  
Dearborn, MI (US)  
(72) Inventors: **David Woodhouse**, Troy, MI (US);  
**Earl Lucas**, Southfield, MI (US);  
**Jaewoo Chang**, Novi, MI (US);  
**Nonthawat Kongsari**, Melbourne (AU)

(73) Assignee: **Ford Global Technologies, LLC**,  
Dearborn, MI (US)

(\*\*) Term: **15 Years**

(21) Appl. No.: **29/597,073**

(22) Filed: **Mar. 14, 2017**

(51) **LOC (12) Cl.** ..... **12-16**

(52) **U.S. Cl.**  
USPC ..... **D12/187**

(58) **Field of Classification Search**  
USPC ..... D12/187, 188, 189; D6/300, 309  
CPC B60R 1/08; B60R 1/081; B60R 1/082; B60R  
1/074; B60R 1/076; B60R 1/078; B60R  
1/06; G02B 5/08; G02B 7/18; G02B  
7/182

See application file for complete search history.

(56) **References Cited**

U.S. PATENT DOCUMENTS

D609,152 S \* 2/2010 Bucher ..... D12/187  
D621,313 S \* 8/2010 Kimura ..... D12/187  
D663,662 S \* 7/2012 Hamilton ..... D12/187  
D702,167 S \* 4/2014 Hakamata ..... D12/187  
D708,560 S \* 7/2014 George ..... D12/187

D710,776 S \* 8/2014 Hall ..... D12/187  
D731,379 S \* 6/2015 Behmer ..... D12/187  
D746,196 S \* 12/2015 Di Buduo ..... D12/187  
D761,172 S \* 7/2016 Kim ..... D12/187  
D782,377 S \* 3/2017 Curic ..... D12/187  
D782,379 S \* 3/2017 Wassell ..... D12/187  
D792,824 S \* 7/2017 Bucher ..... D12/187  
2013/0062496 A1 \* 3/2013 Niessen ..... B60R 1/06  
248/475.1

\* cited by examiner

*Primary Examiner* — Susan E Krakower  
*Assistant Examiner* — Jerry Shiu-an-Hua Hsu  
(74) *Attorney, Agent, or Firm* — LeClairRyan

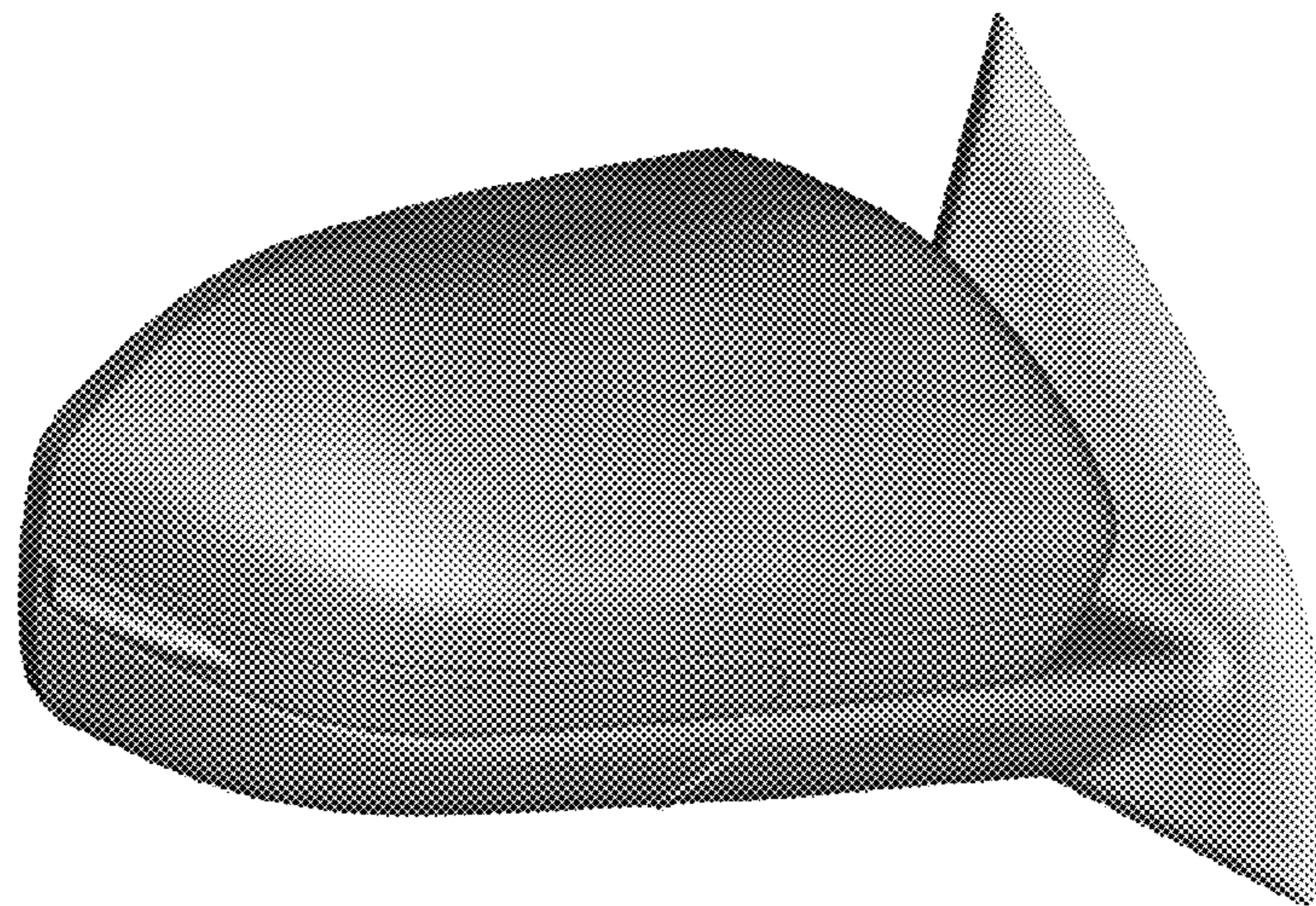
(57) **CLAIM**

The ornamental design for a vehicle mirror, as shown and described.

**DESCRIPTION**

FIG. 1 is a top and front perspective view a right vehicle mirror, showing our new design;  
FIG. 2 is a bottom and front perspective view thereof;  
FIG. 3 is a top and rear perspective view thereof;  
FIG. 4 is a front elevational view thereof;  
FIG. 5 is a rear elevational view thereof;  
FIG. 6 is a left side elevational view thereof;  
FIG. 7 is a right side elevational view thereof;  
FIG. 8 is a top plan view thereof; and,  
FIG. 9 is a bottom plan view thereof.  
Any broken lines represent an internal boundary of the design; the line itself and the area within form no part of the claim.

**1 Claim, 9 Drawing Sheets**



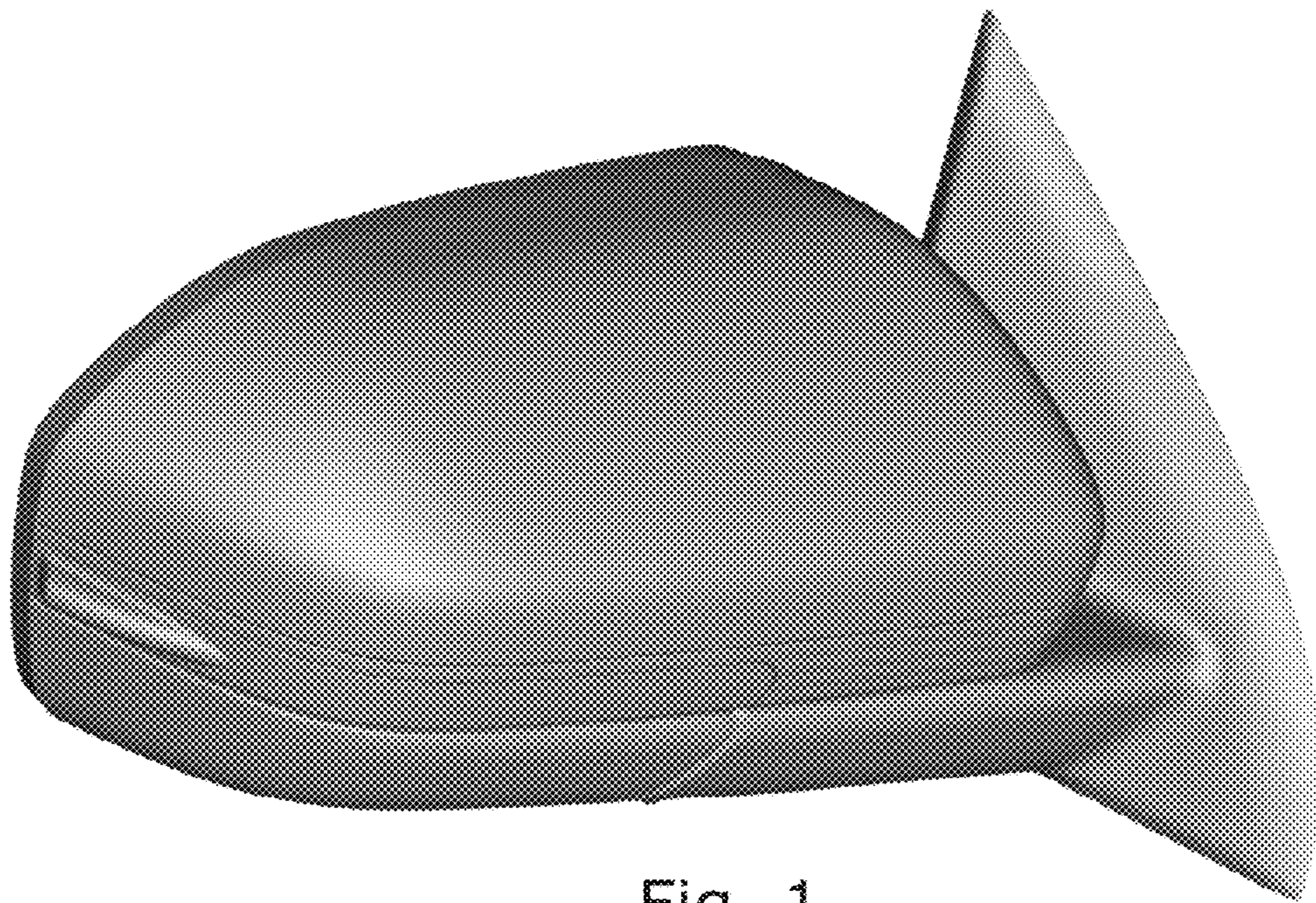


Fig. 1



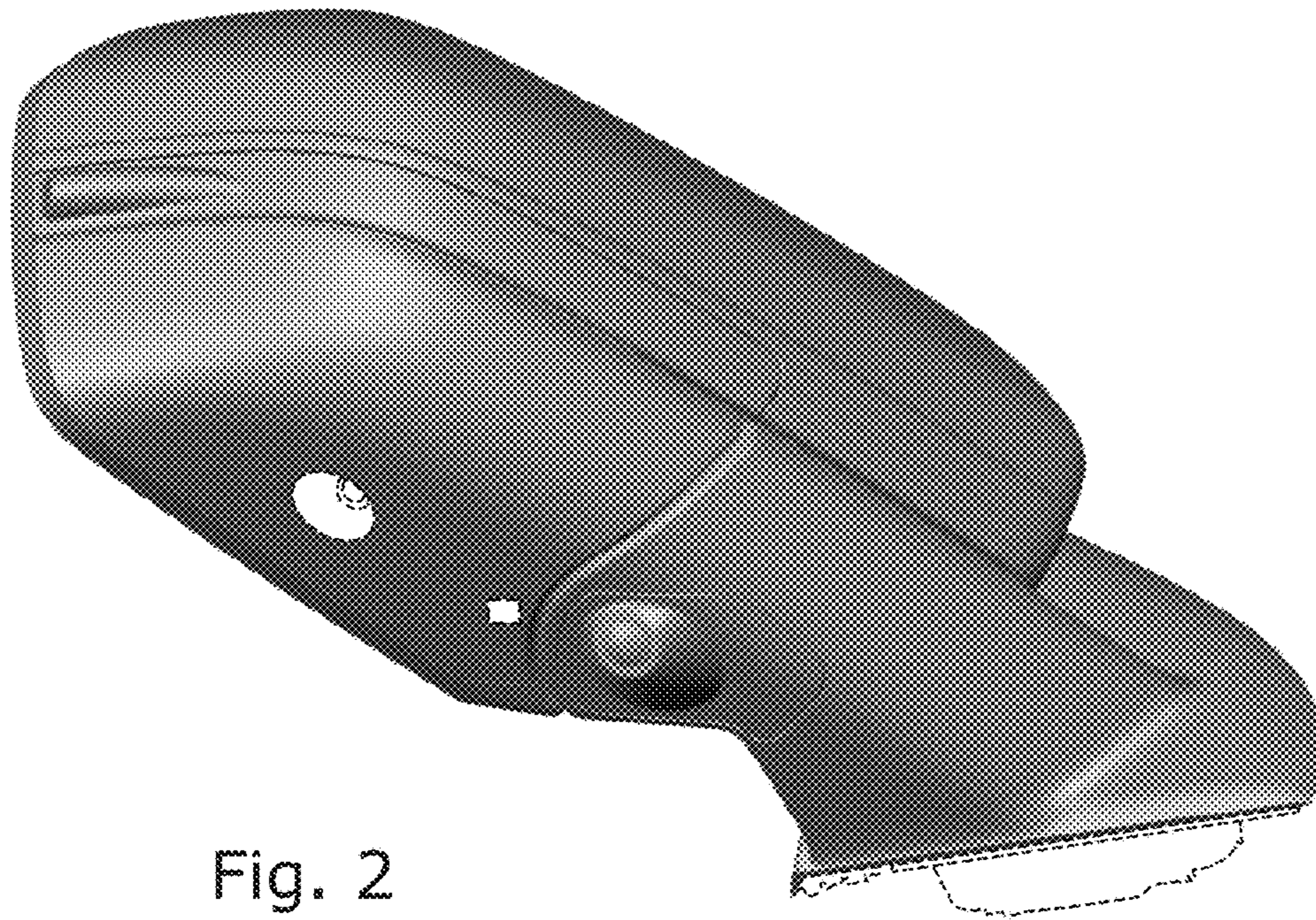


Fig. 2

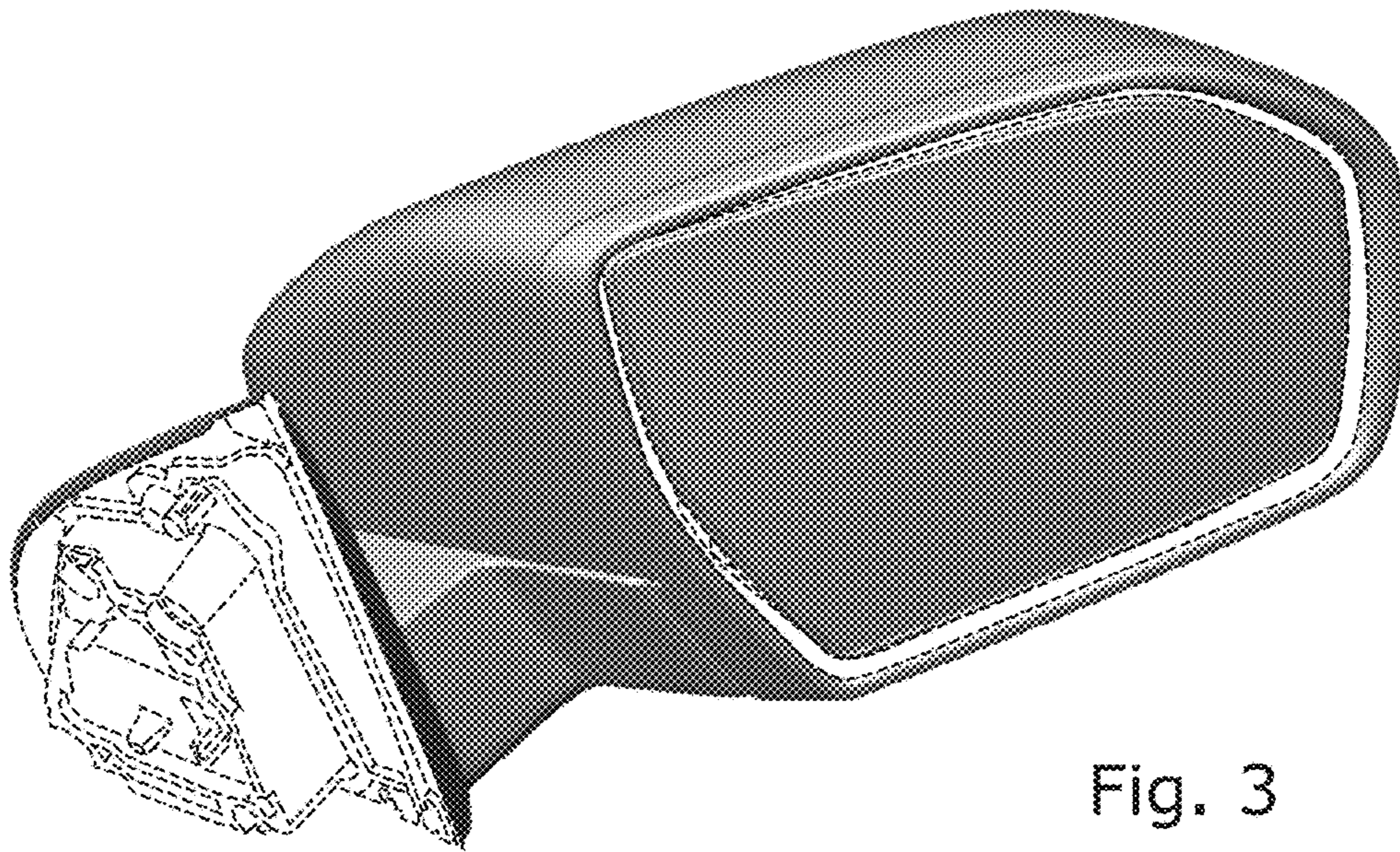


Fig. 3



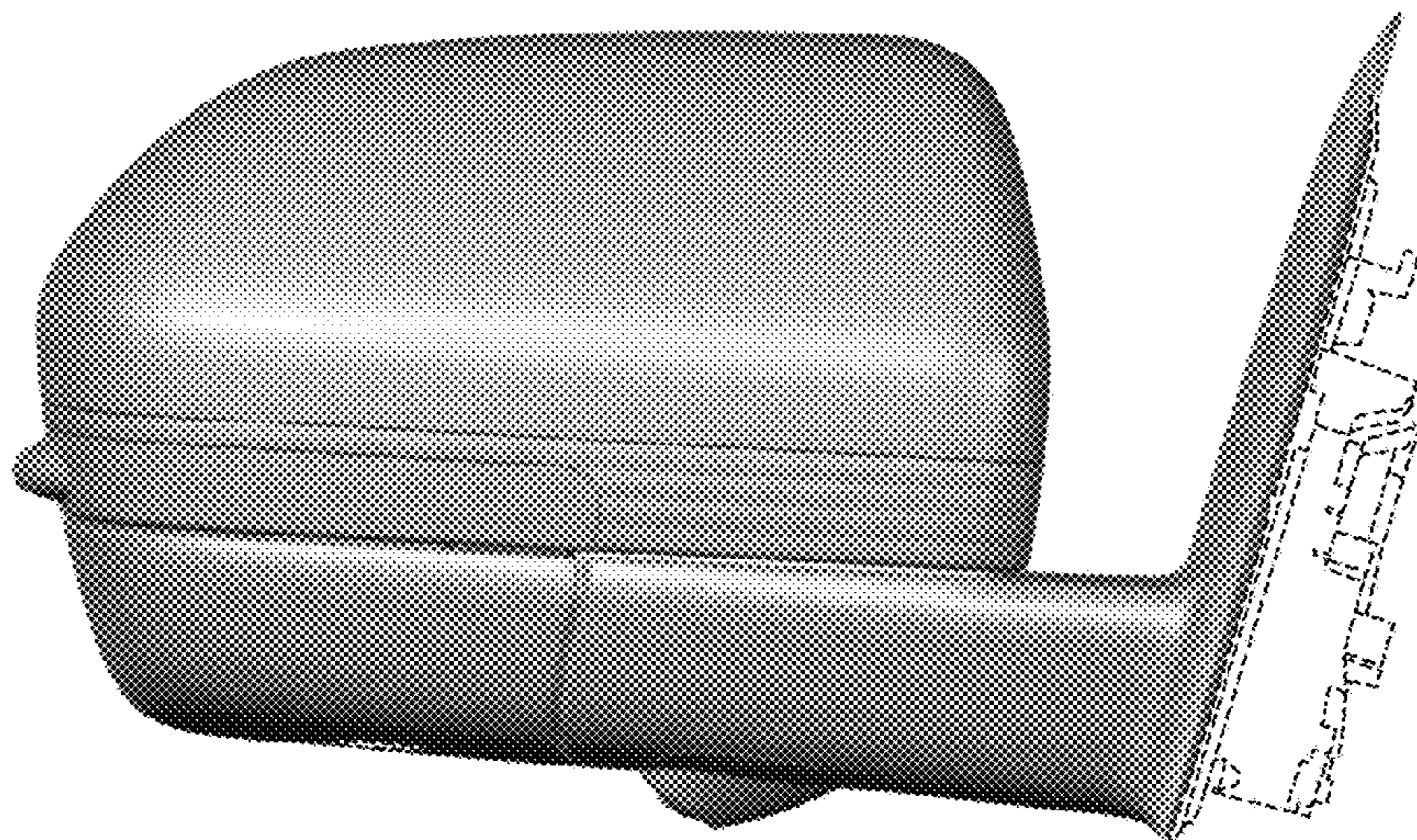


Fig. 4

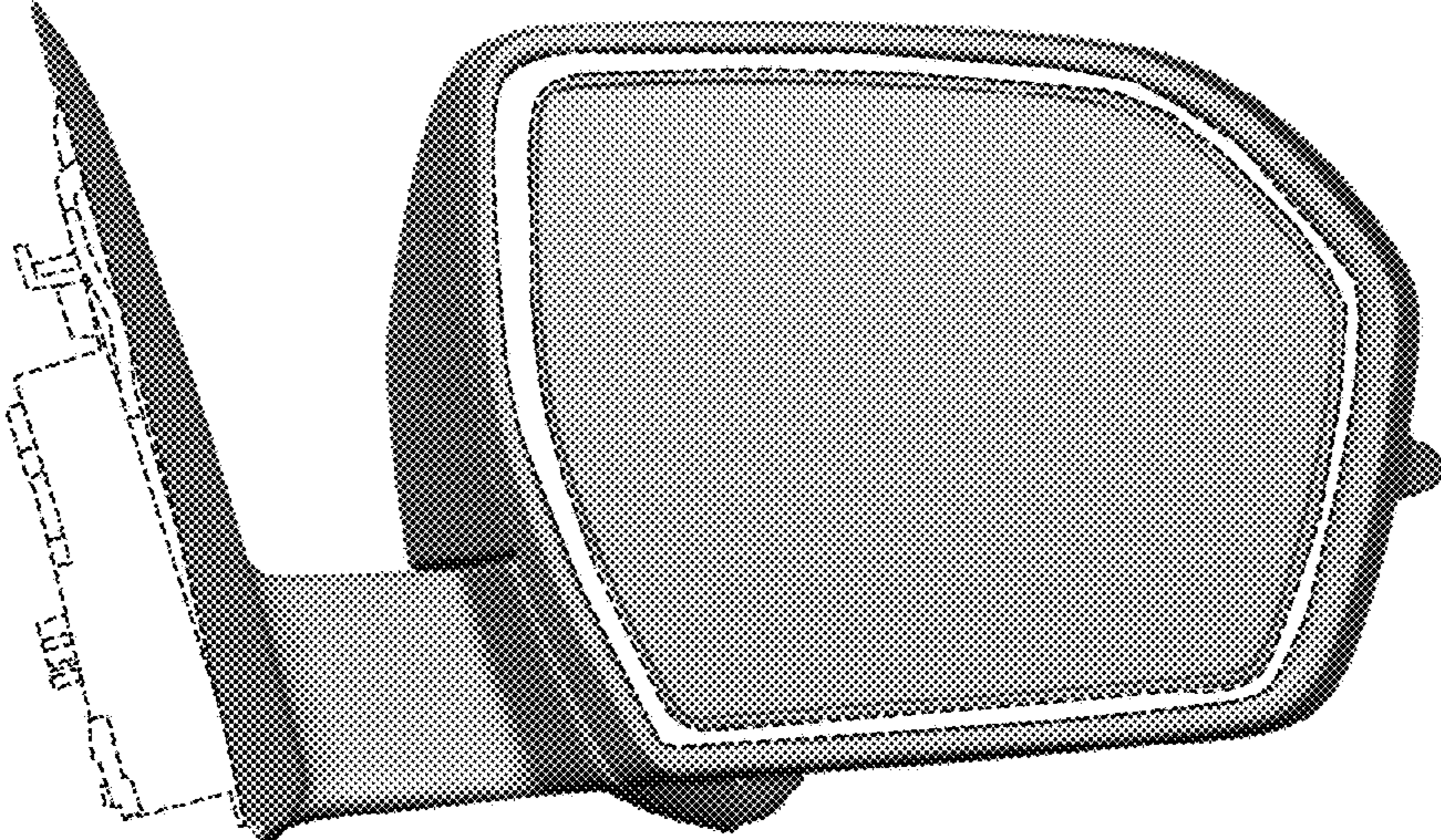
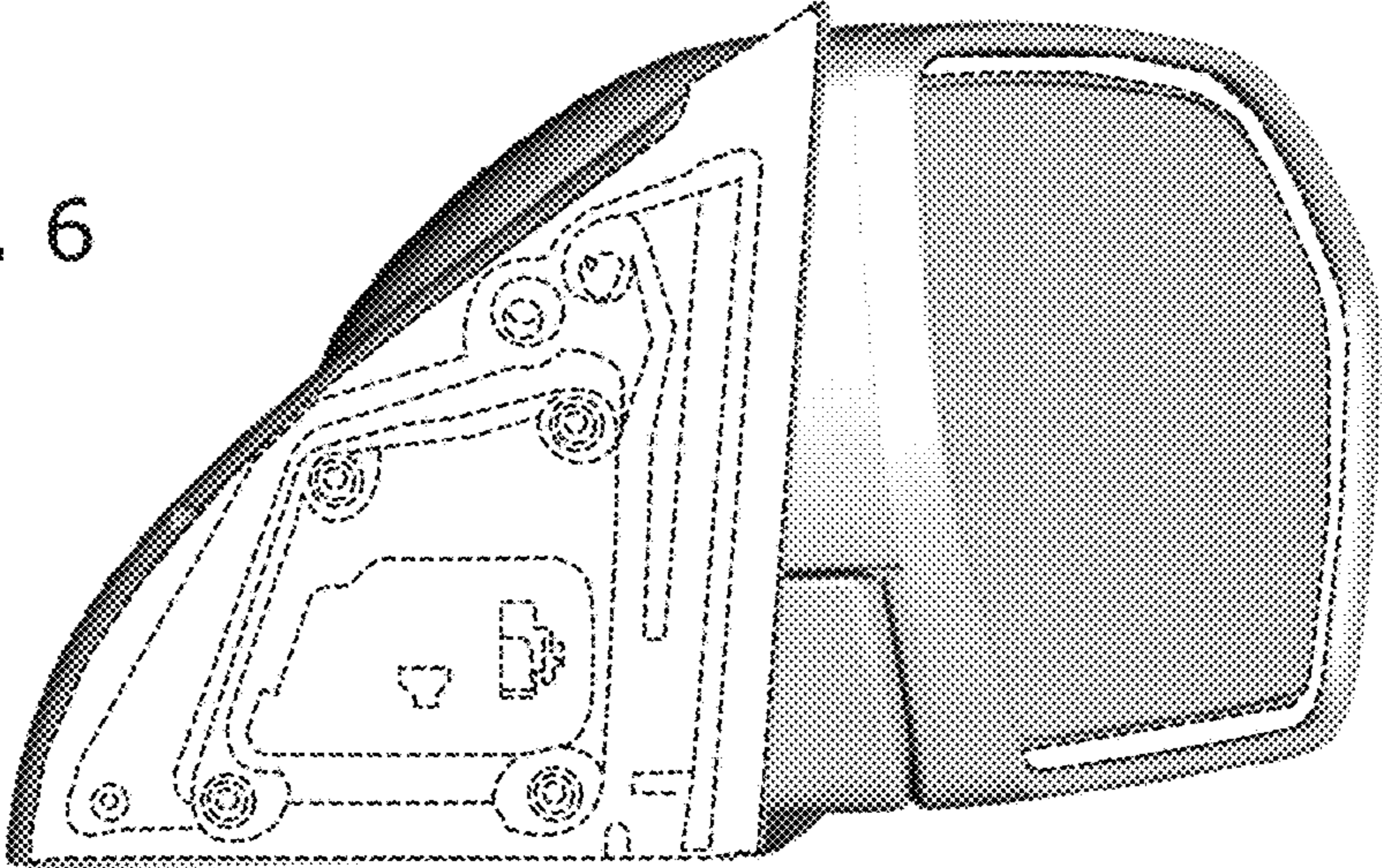


Fig. 5

Fig. 6





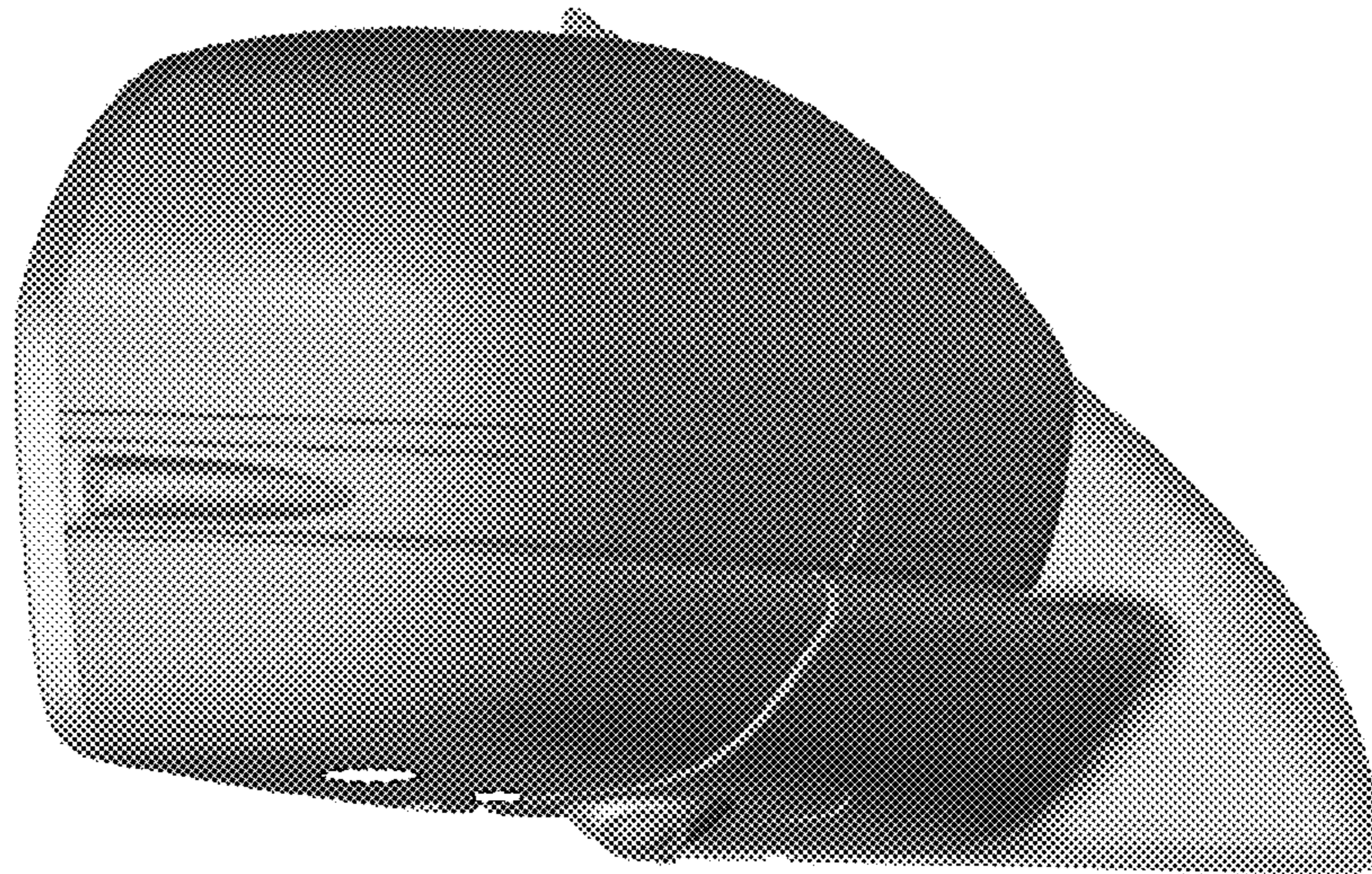


Fig. 7



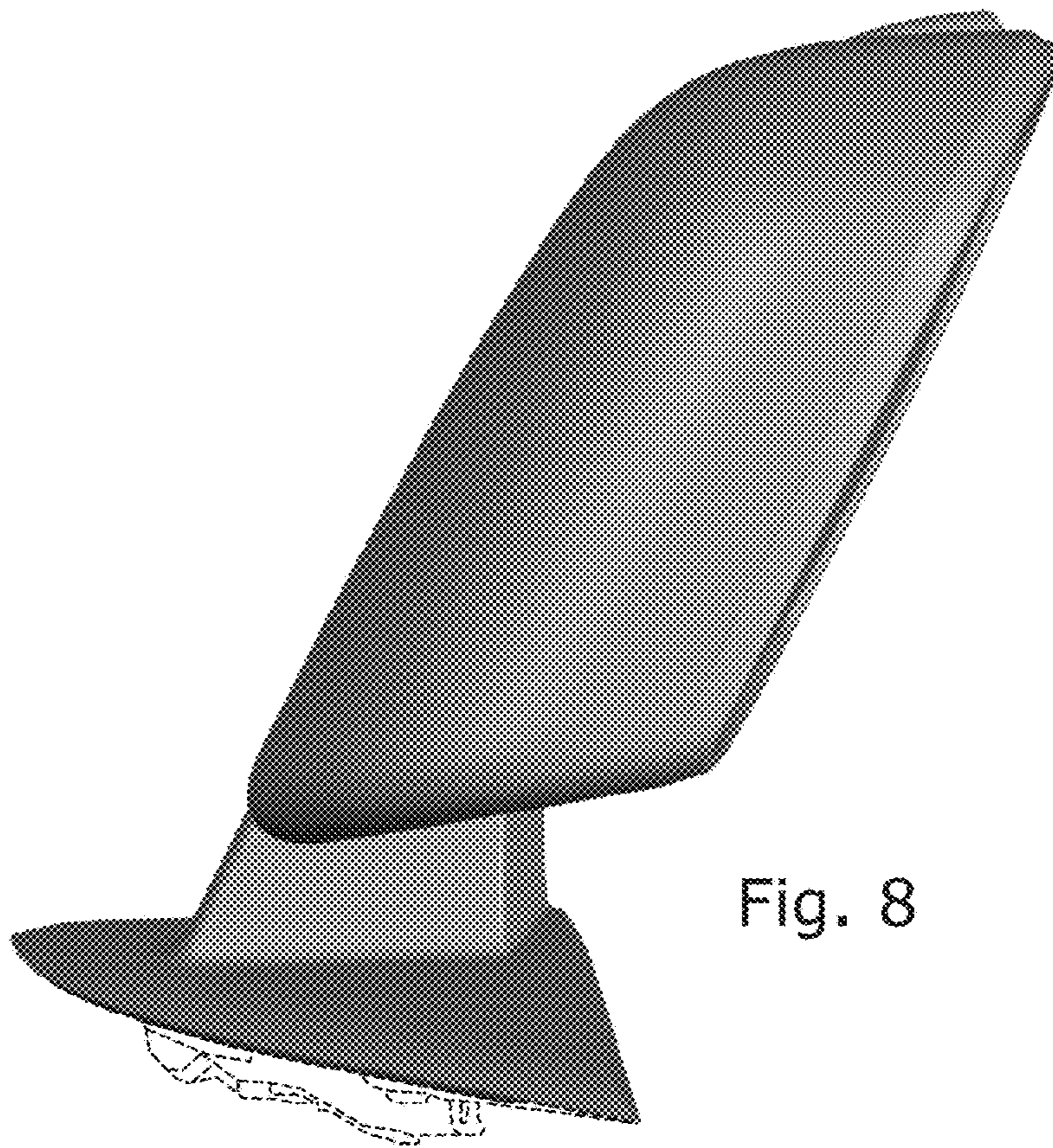


Fig. 8

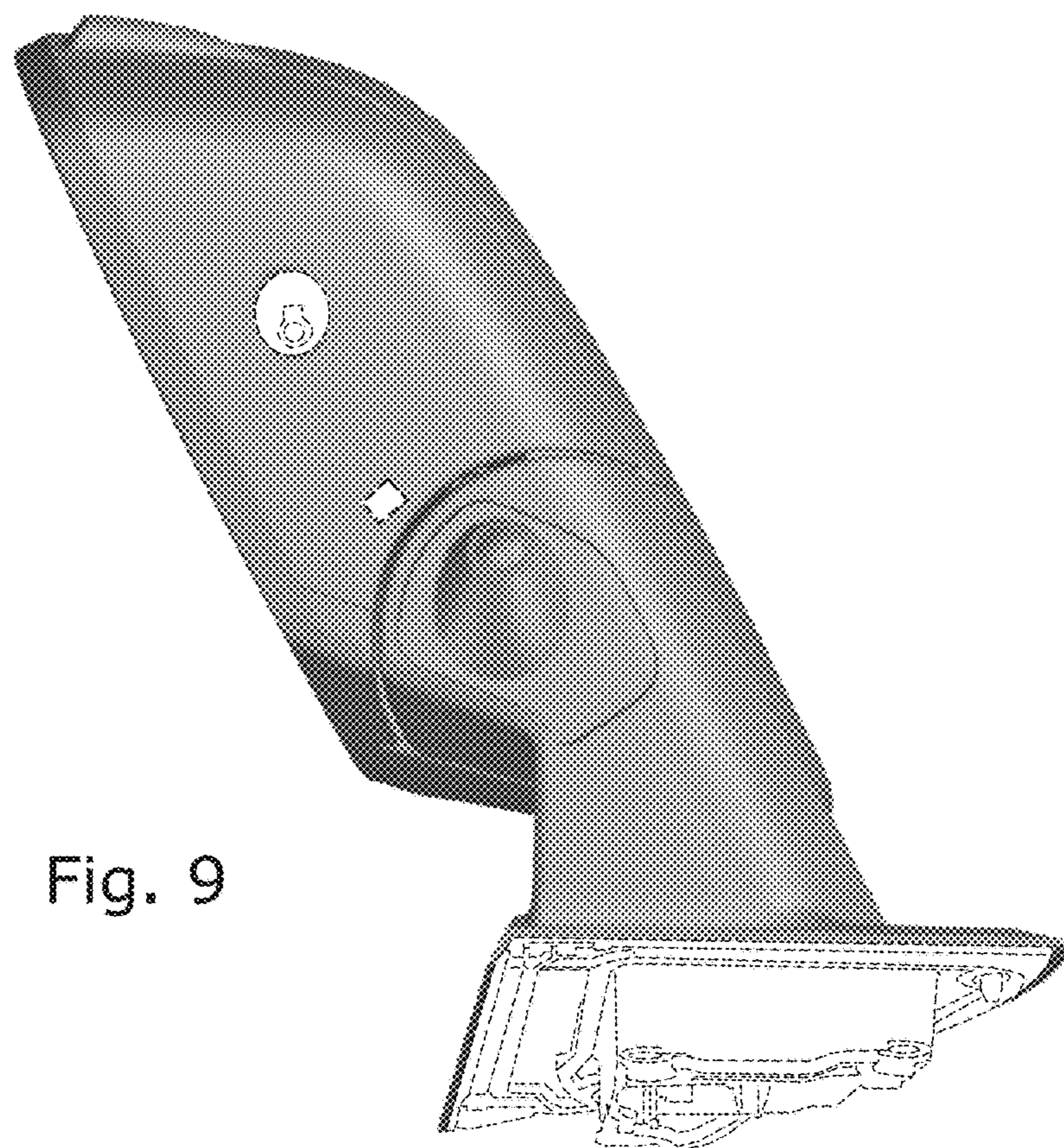


Fig. 9