



US00D862331S

(12) **United States Design Patent** (10) **Patent No.:** **US D862,331 S**
Woodhouse et al. (45) **Date of Patent:** **** Oct. 8, 2019**

(54) **VEHICLE MIRROR**
(71) Applicant: **Ford Global Technologies, LLC**,
Dearborn, MI (US)
(72) Inventors: **David Woodhouse**, Troy, MI (US);
Earl Lucas, Southfield, MI (US);
Jaewoo Chang, Novi, MI (US);
Nonthawat Kongsari, Melbourne (AU)

(73) Assignee: **Ford Global Technologies, LLC**,
Dearborn, MI (US)

(**) Term: **15 Years**

(21) Appl. No.: **29/597,072**

(22) Filed: **Mar. 14, 2017**

(51) **LOC (12) Cl.** **12-16**

(52) **U.S. Cl.**

USPC **D12/187**

(58) **Field of Classification Search**

USPC D12/187, 188, 189; D6/300, 309
CPC .. G02B 5/08; G02B 7/18; G02B 7/182; B60R
1/08; B60R 1/081; B60R 1/082; B60R
1/074; B60R 1/076; B60R 1/078; B60R
1/06

See application file for complete search history.

(56) **References Cited**

U.S. PATENT DOCUMENTS

D609,152 S * 2/2010 Bucher D12/187
D621,313 S * 8/2010 Kimura D12/187
D642,504 S * 8/2011 Tonello D12/187
D663,662 S * 7/2012 Hamilton D12/187
D702,167 S * 4/2014 Hakamata D12/187

D708,560 S * 7/2014 George D12/187
D709,812 S * 7/2014 George D12/187
D710,776 S * 8/2014 Hall D12/187
D718,197 S * 11/2014 Chen D12/187
D731,379 S * 6/2015 Behmer D12/187
D782,377 S * 3/2017 Curic D12/187
D782,379 S * 3/2017 Wassell D12/187
2013/0062496 A1 * 3/2013 Niessen B60R 1/06
248/475.1

* cited by examiner

Primary Examiner — Susan E Krakower
Assistant Examiner — Jerry Shiuian-Hua Hsu
(74) *Attorney, Agent, or Firm* — LeClairRyan

(57) **CLAIM**

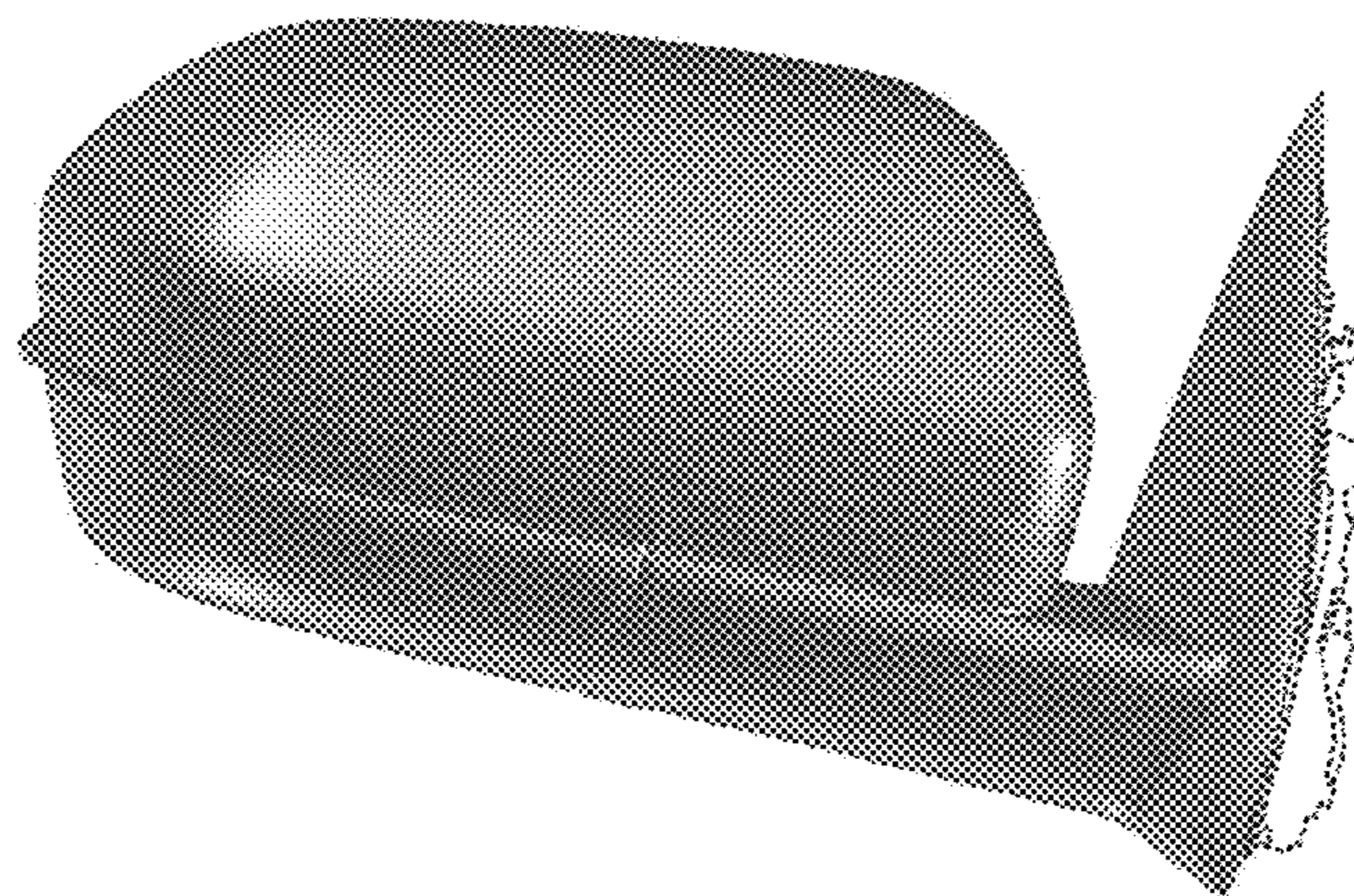
The ornamental design for a vehicle mirror, as shown and described.

DESCRIPTION

FIG. 1 is a top and front perspective view a right vehicle mirror, showing our new design;
FIG. 2 is a bottom and front perspective view thereof;
FIG. 3 is a top and rear perspective view thereof;
FIG. 4 is a front elevational view thereof;
FIG. 5 is a rear elevational view thereof;
FIG. 6 is a left side elevational view thereof;
FIG. 7 is a right side elevational view thereof;
FIG. 8 is a top plan view thereof; and,
FIG. 9 is a bottom plan view thereof.

Any broken lines represent an internal boundary of the design; the line itself and the area within form no part of the claim.

1 Claim, 9 Drawing Sheets



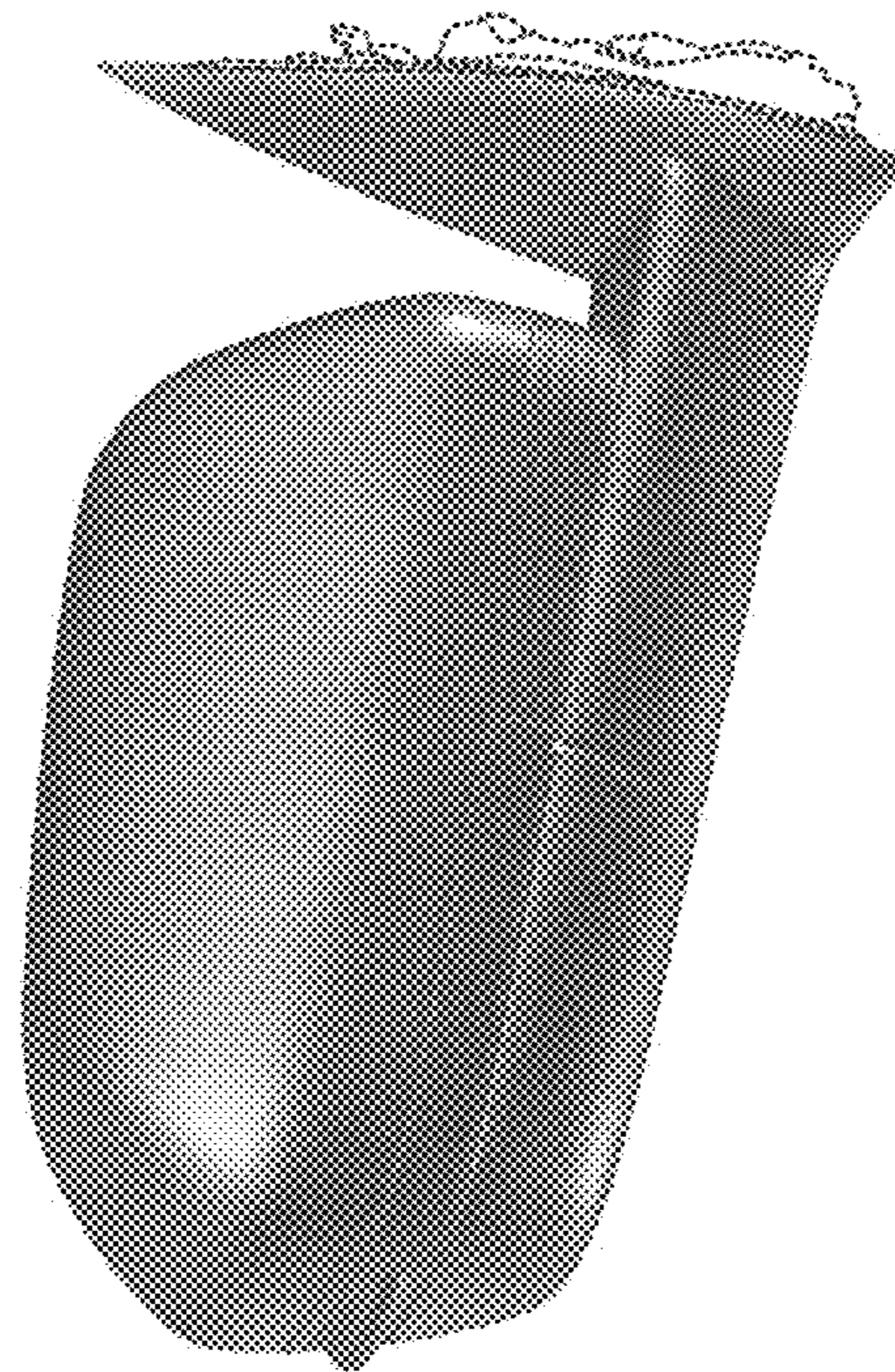


Fig. 1

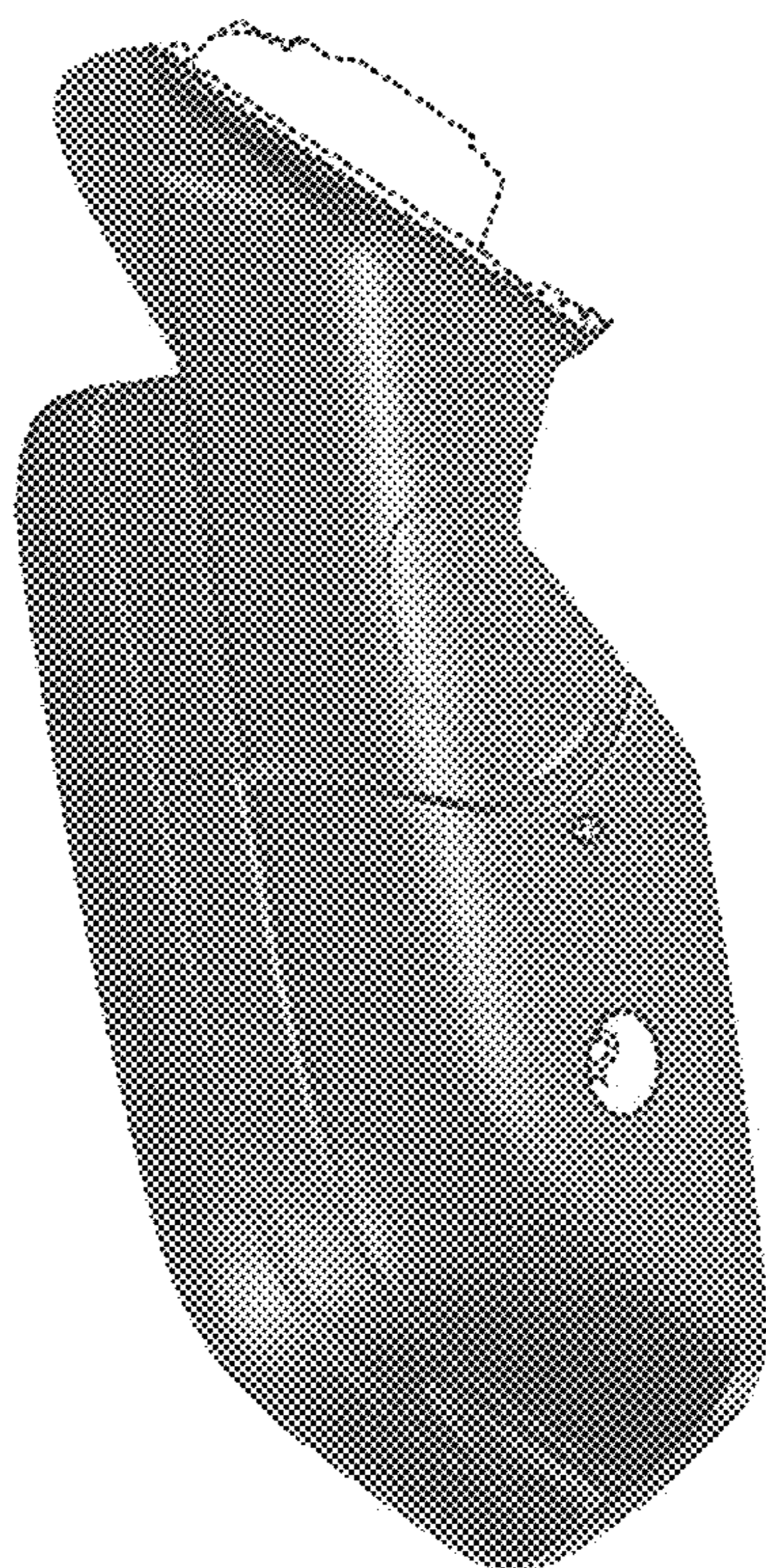


Fig. 2

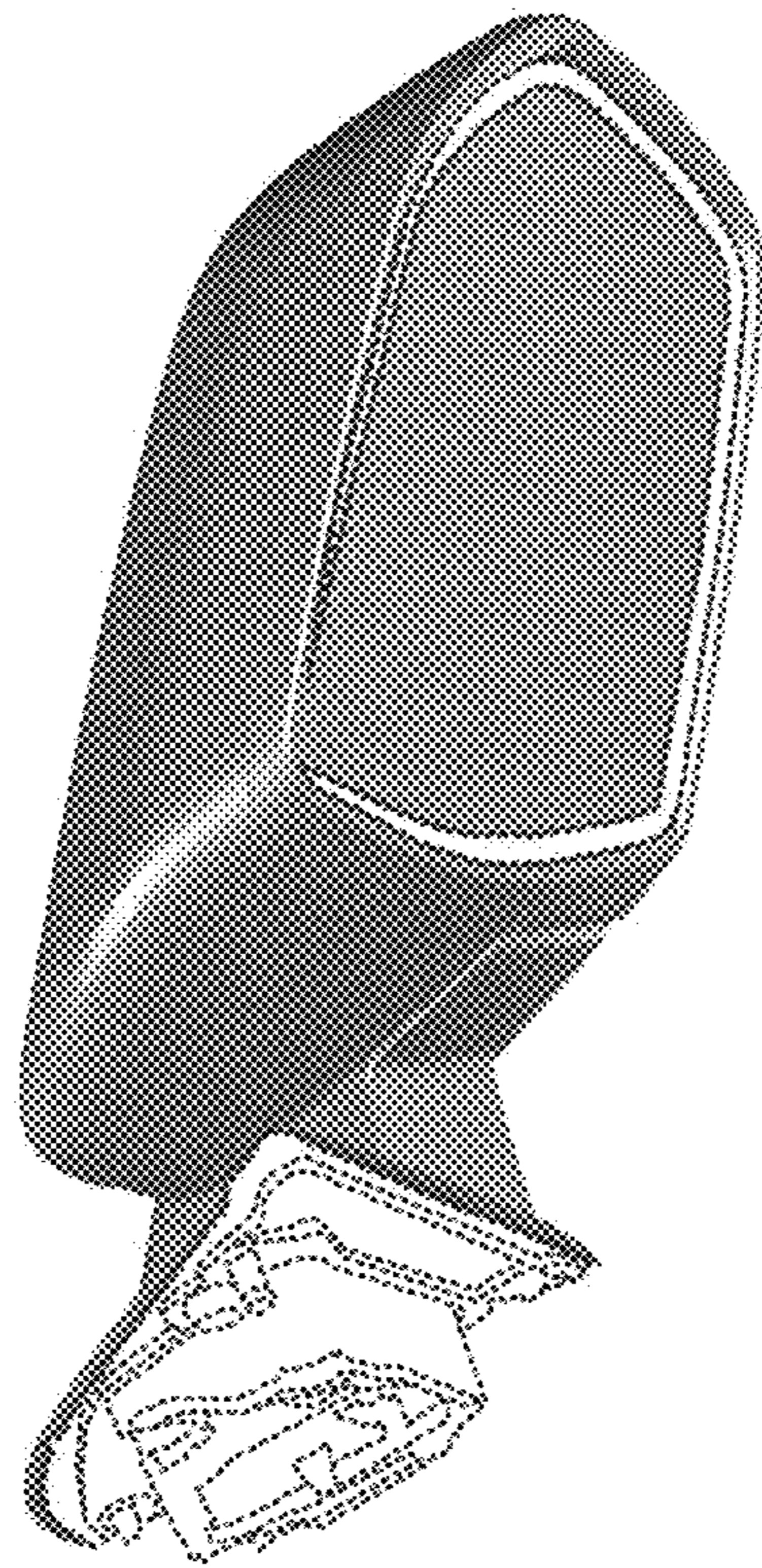


FIG. 3

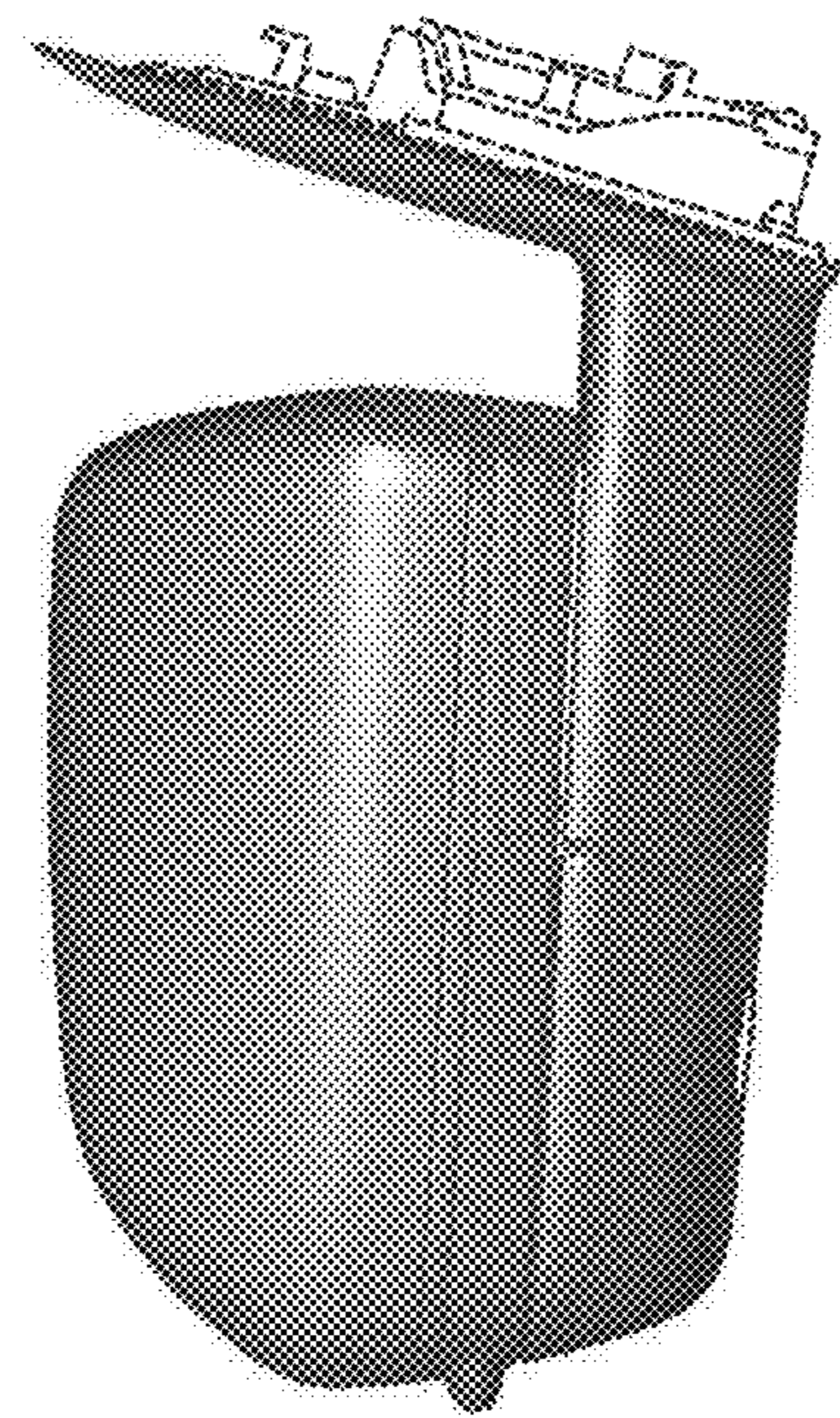


Fig. 4

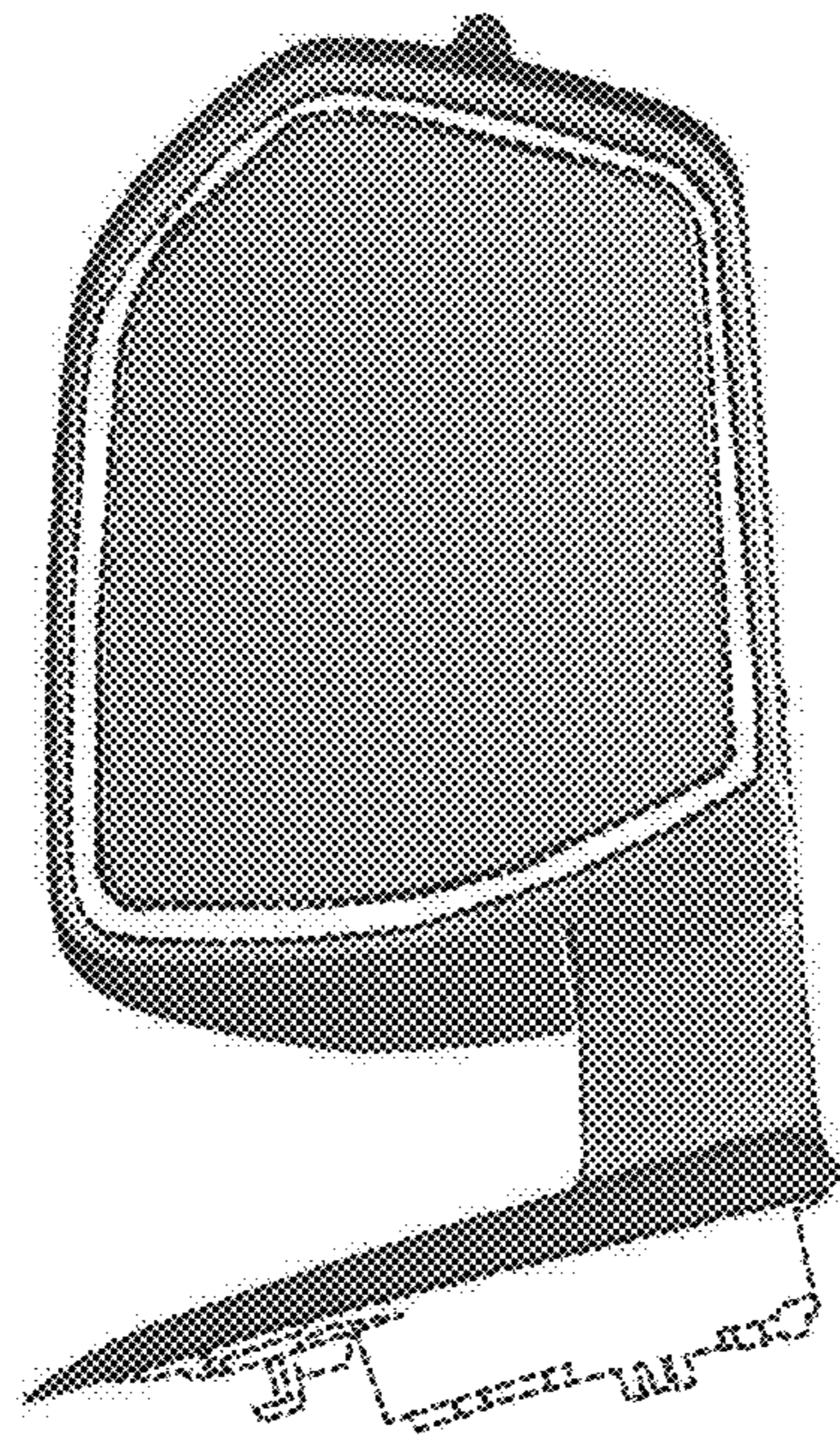


Fig. 5

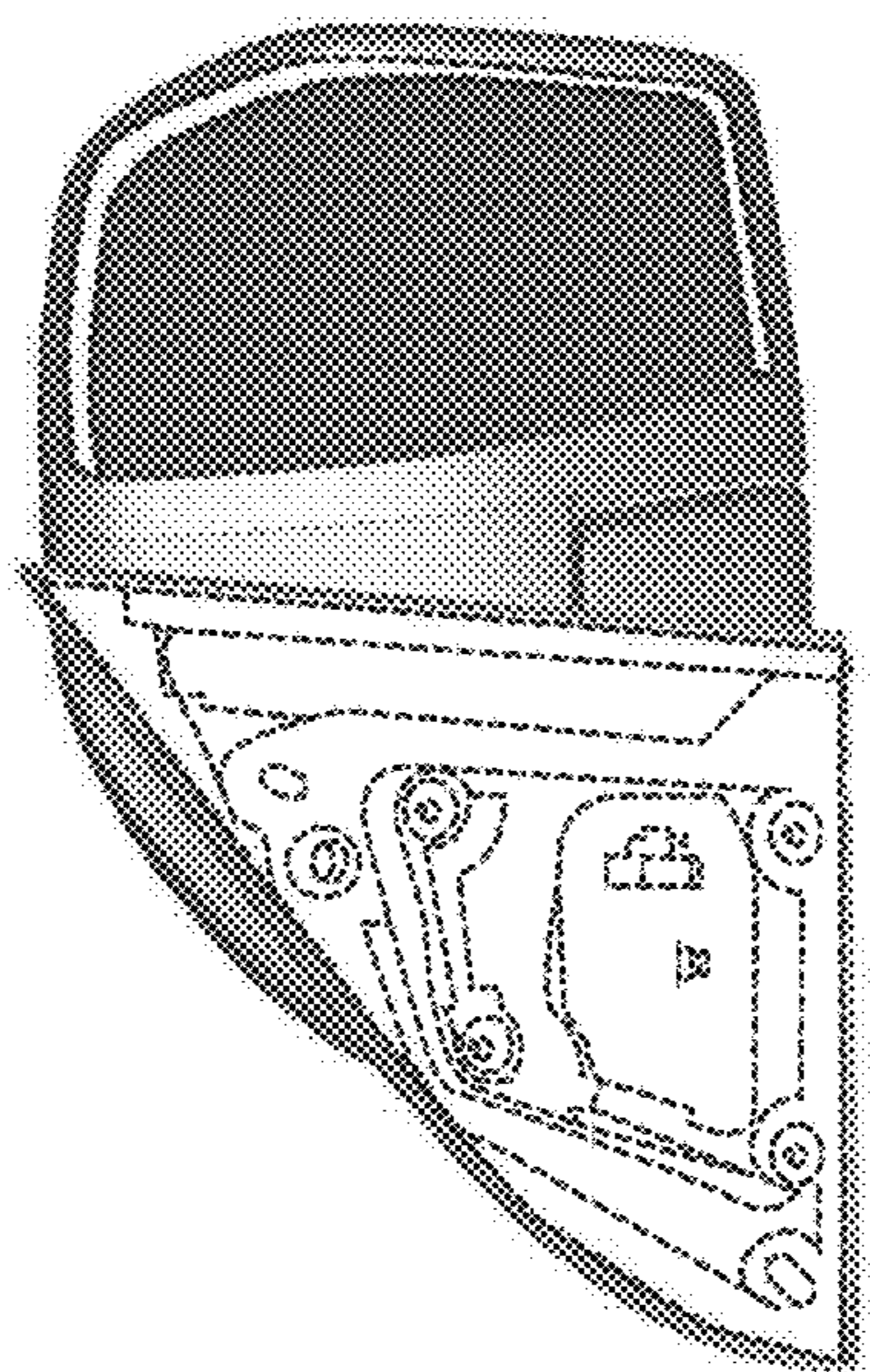


Fig. 6

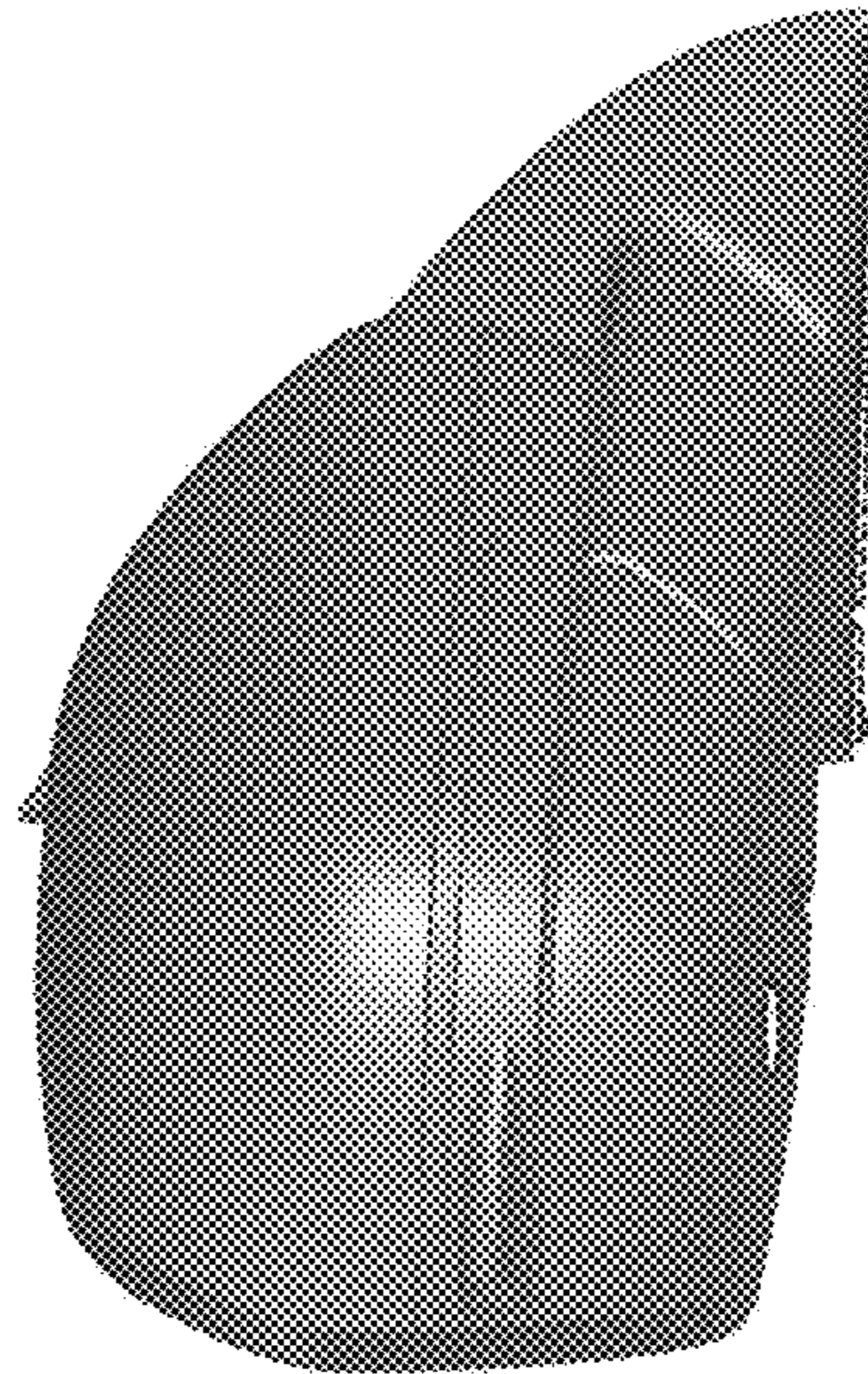


Fig. 7

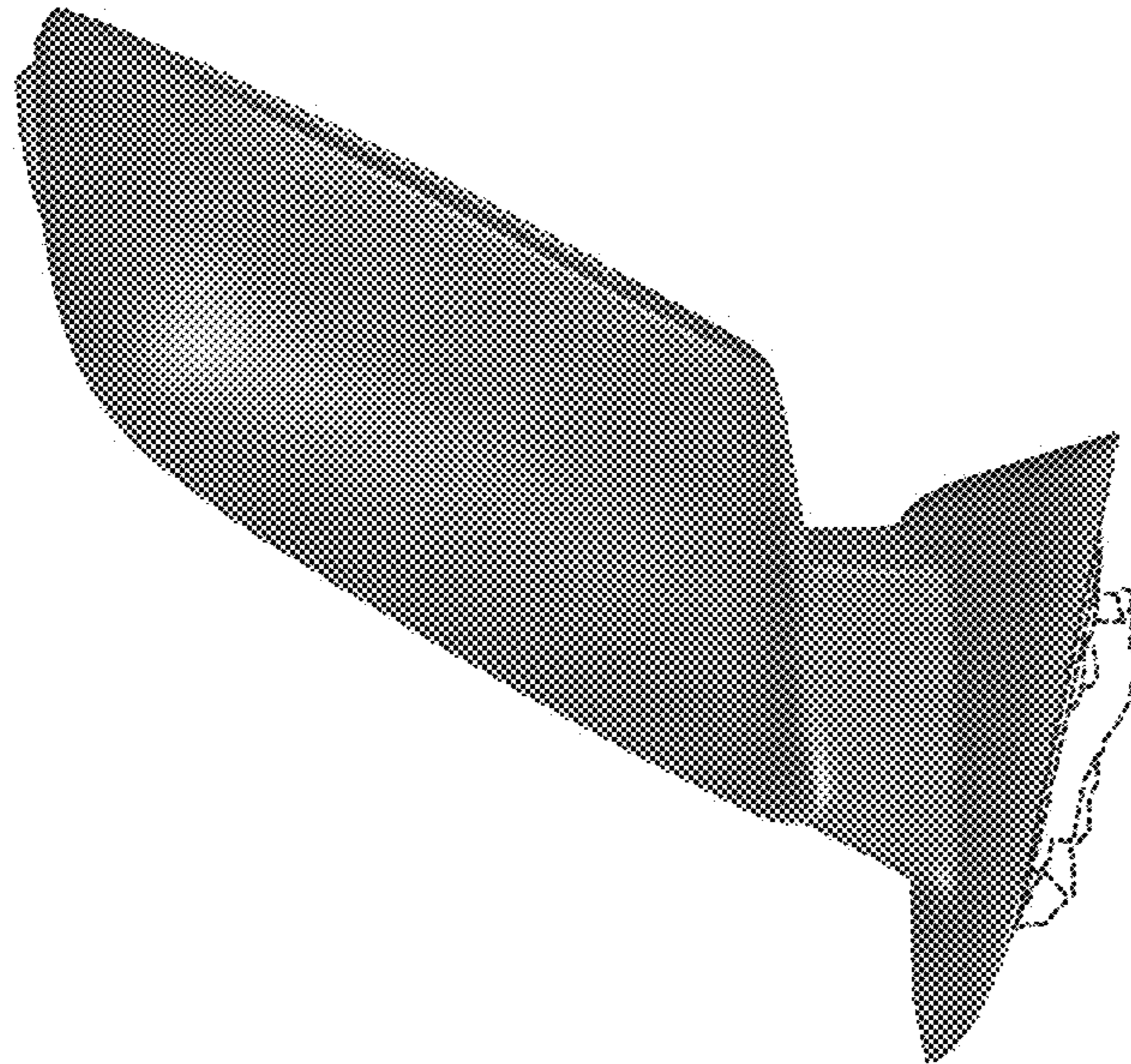


FIG. 8

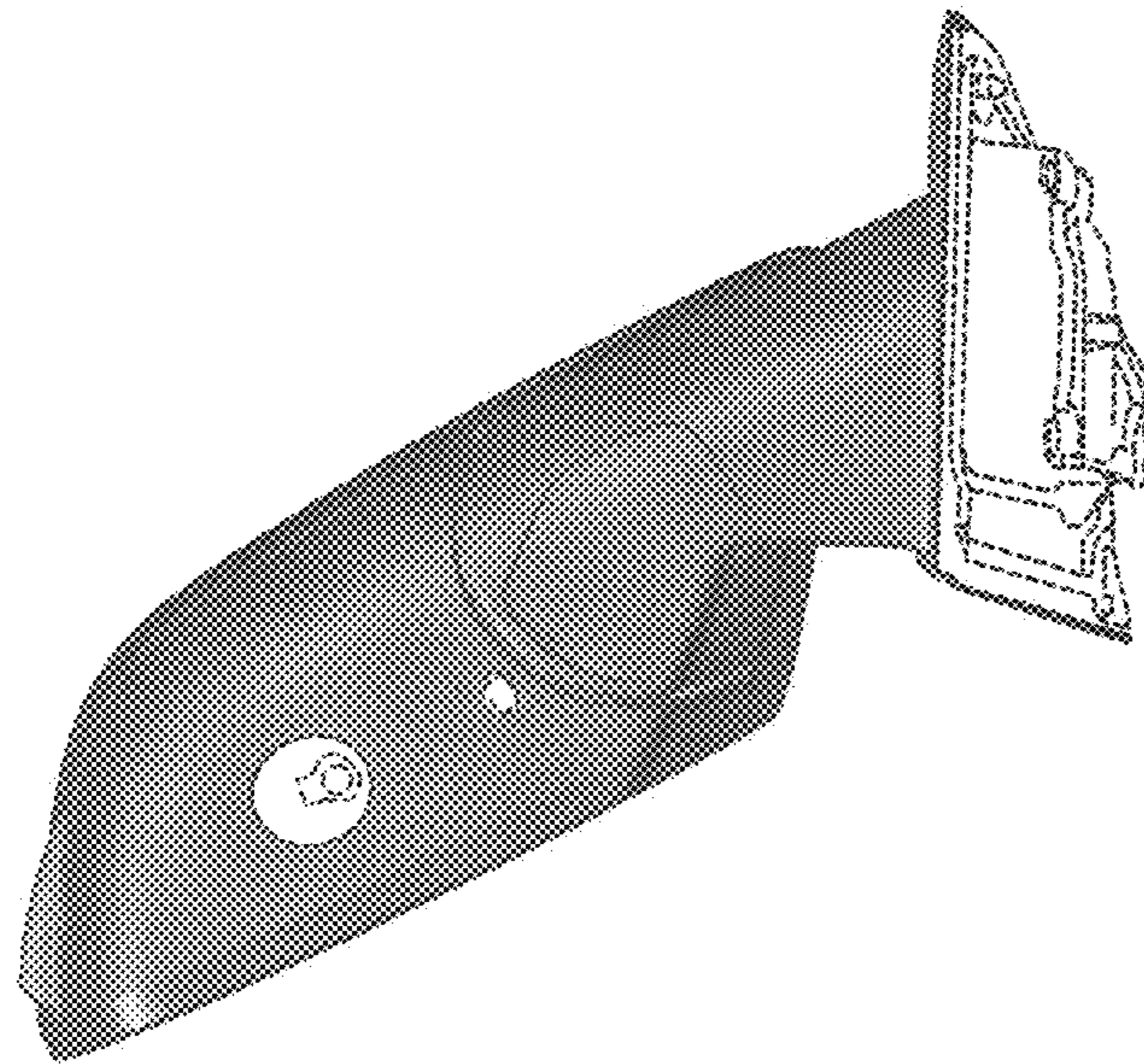


Fig. 9