

US00D862329S

(12) **United States Design Patent**  
**Van Osten et al.**

(10) **Patent No.:** **US D862,329 S**

(45) **Date of Patent:** **\*\* Oct. 8, 2019**

- (54) **SHIFT CABLE BUSHING**
- (71) Applicant: **RB Distribution, Inc.**, Colmar, PA (US)
- (72) Inventors: **Christopher Thomas Van Osten**, Souderton, PA (US); **John T. Malone, III**, Hillsborough, NJ (US); **Joseph W. Lonergan, III**, Lansdale, PA (US)

6,675,546 B2 \* 1/2004 Coles ..... F16B 7/185  
403/157  
8,771,000 B2 \* 7/2014 Melni ..... H01R 4/56  
439/271  
D719,821 S \* 12/2014 McGrath ..... D8/382  
9,518,649 B2 \* 12/2016 Tanaka ..... F16H 59/02  
9,556,925 B2 \* 1/2017 Marking ..... F16F 9/466  
9,863,138 B2 \* 1/2018 Tello ..... E04B 1/48

(Continued)

- (73) Assignee: **RB Distribution, Inc.**, Colmar, PA (US)

(\*\*) Term: **15 Years**

(21) Appl. No.: **29/612,491**

(22) Filed: **Aug. 1, 2017**

(51) **LOC (12) Cl.** ..... **12-16**

(52) **U.S. Cl.**  
USPC ..... **D12/180; D8/382**

(58) **Field of Classification Search**  
USPC ..... D12/123, 179, 180; D8/21-29, 97, 107, D8/382  
CPC . F16F 9/466; H01R 4/56; F16H 59/02; F16H 59/0208; B63H 20/20; F16C 11/0614; B25B 13/465; B25B 13/06; F16B 7/185; B61H 15/00; F16D 3/28; E04B 1/48  
See application file for complete search history.

(56) **References Cited**

**U.S. PATENT DOCUMENTS**

- 4,872,361 A \* 10/1989 Muller ..... F16H 59/0208  
403/157
- 5,597,566 A \* 1/1997 Huls ..... F16D 3/28  
403/161
- 5,626,062 A \* 5/1997 Colvin ..... B25B 13/06  
81/177.85
- 6,196,362 B1 \* 3/2001 Daugherty, Jr. .... B61H 15/00  
188/197
- 6,416,367 B1 \* 7/2002 Goebel ..... B63H 20/20  
440/1

**OTHER PUBLICATIONS**

The disclosed photograph shows an original equipment Toyota shift cable bushing.

*Primary Examiner* — Susan E Krakower

*Assistant Examiner* — Jerry Shiuan-Hua Hsu

(74) *Attorney, Agent, or Firm* — Volpe and Koenig, P.C.

(57) **CLAIM**

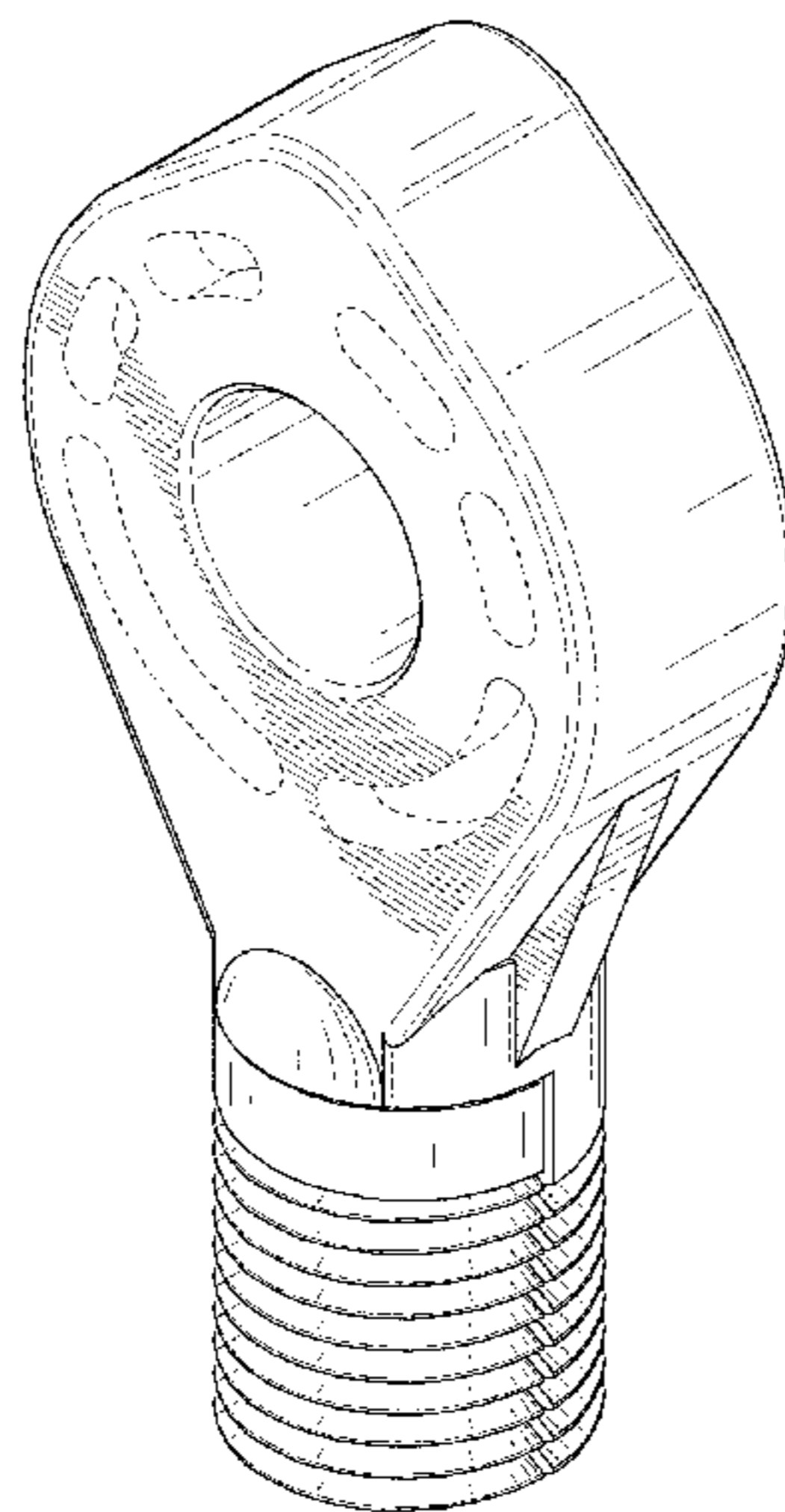
The ornamental design for a shift cable bushing, as shown and described.

**DESCRIPTION**

FIG. 1 is a perspective view of our shift cable bushing; FIG. 2 is a front elevation of the shift cable bushing in FIG. 1; FIG. 3 is a rear elevation of the shift cable bushing in FIG. 1; FIG. 4 is a right side elevation of the shift cable bushing in FIG. 1; FIG. 5 is a left side elevation of the shift cable bushing in FIG. 1; FIG. 6 is a top plan view of the shift cable bushing in FIG. 1; and, FIG. 7 is a bottom plan view of the shift cable bushing in FIG. 1.

The broken lines illustrate portions of the shift cable bushing that form no part of the claimed design.

**1 Claim, 5 Drawing Sheets**



(56)

**References Cited**

U.S. PATENT DOCUMENTS

2006/0060032 A1\* 3/2006 Baker ..... B25B 13/465  
81/57.39  
2010/0047010 A1\* 2/2010 Halcom ..... F16C 11/0614  
403/149

\* cited by examiner

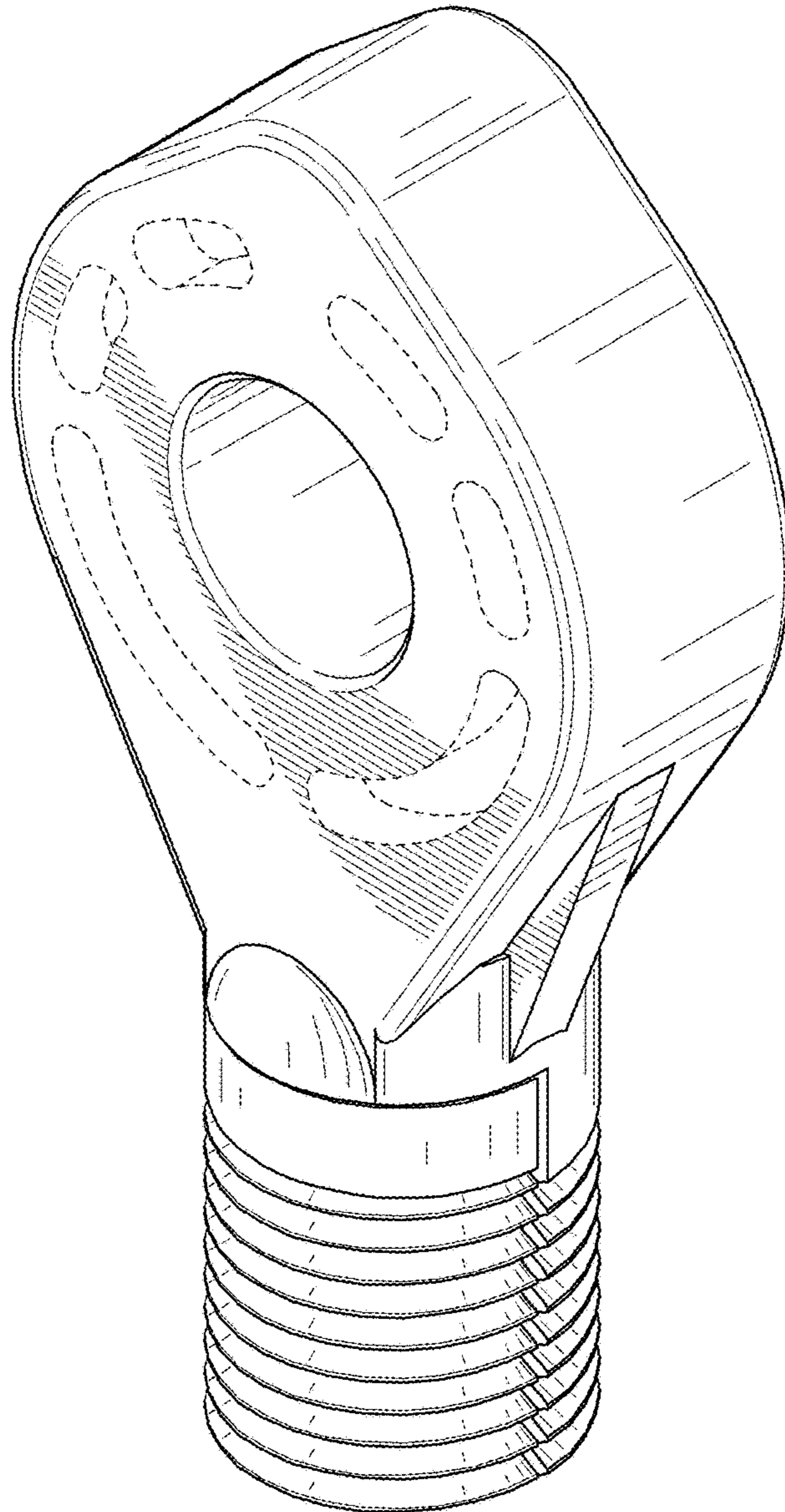


FIG. 1

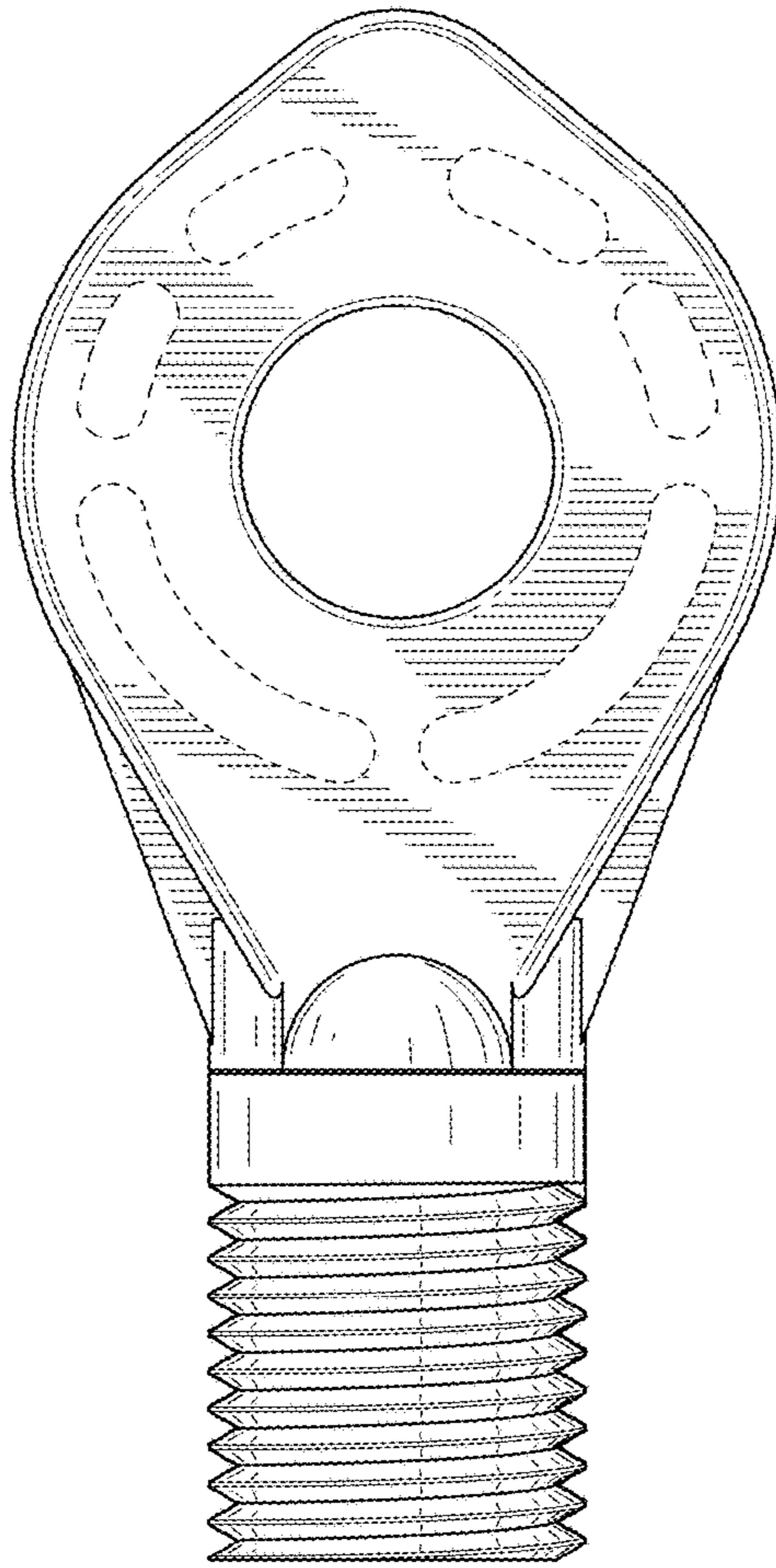


FIG. 2

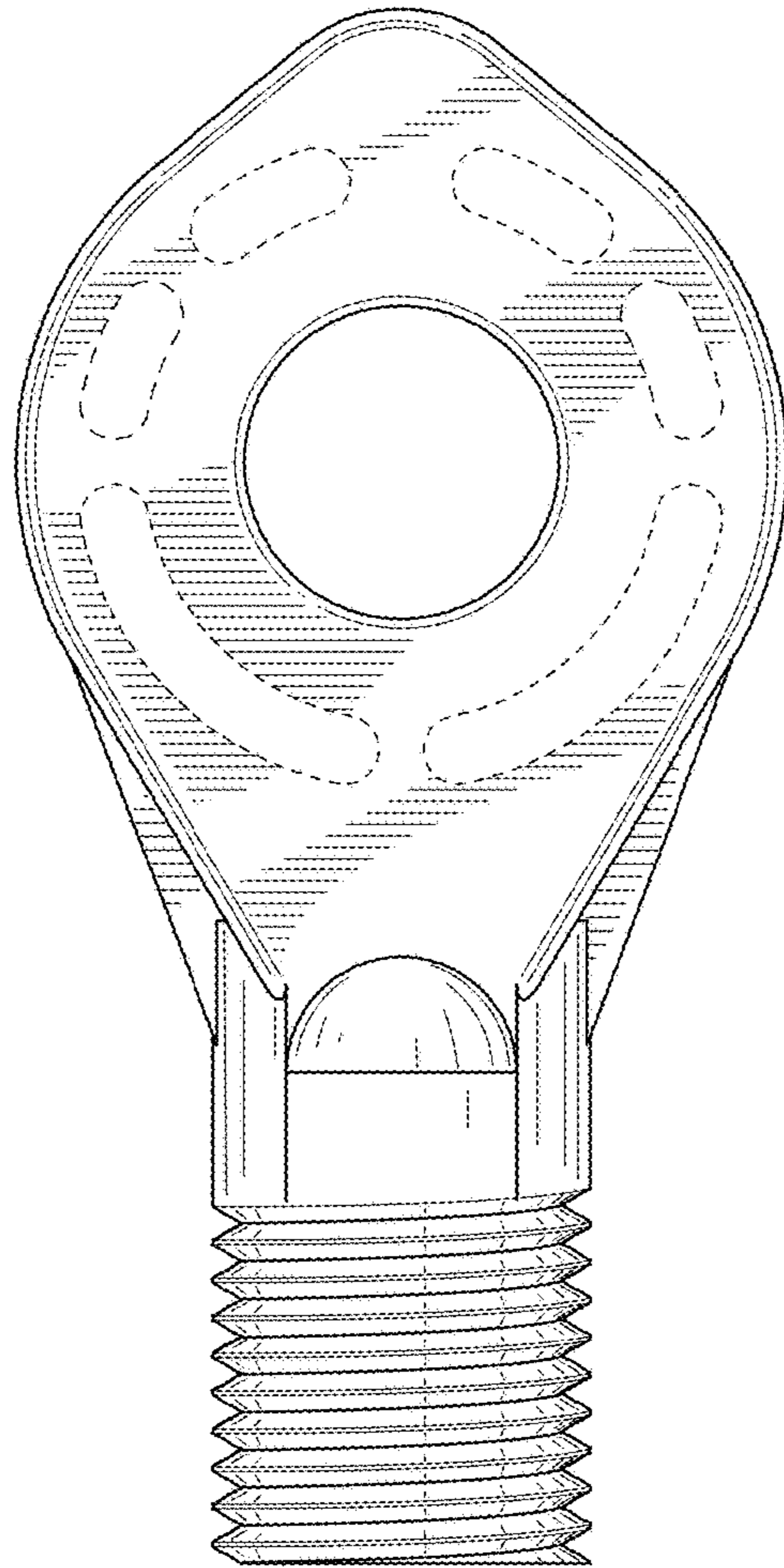


FIG. 3



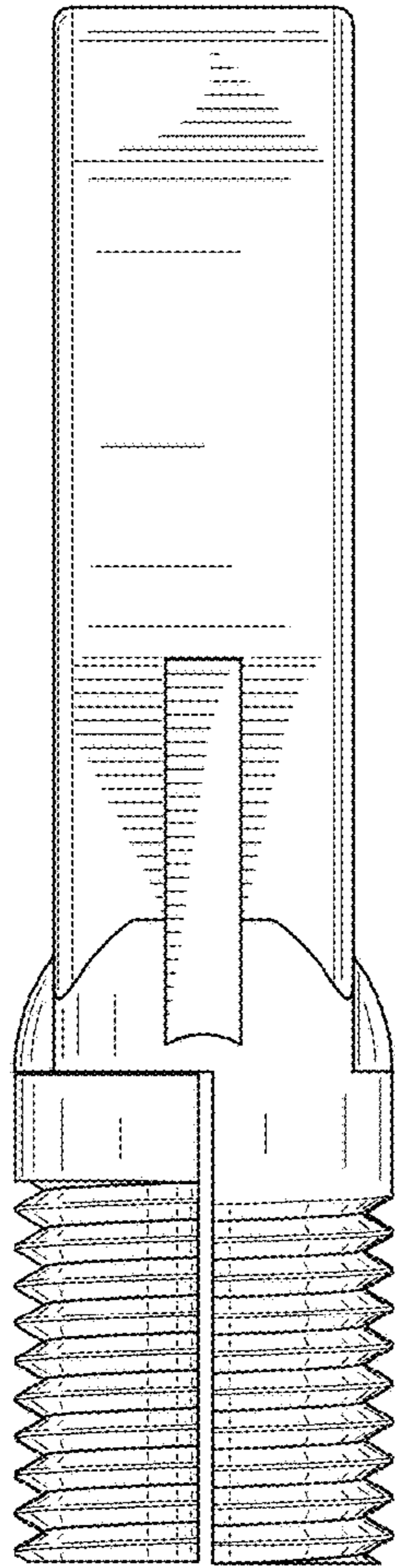


FIG. 4

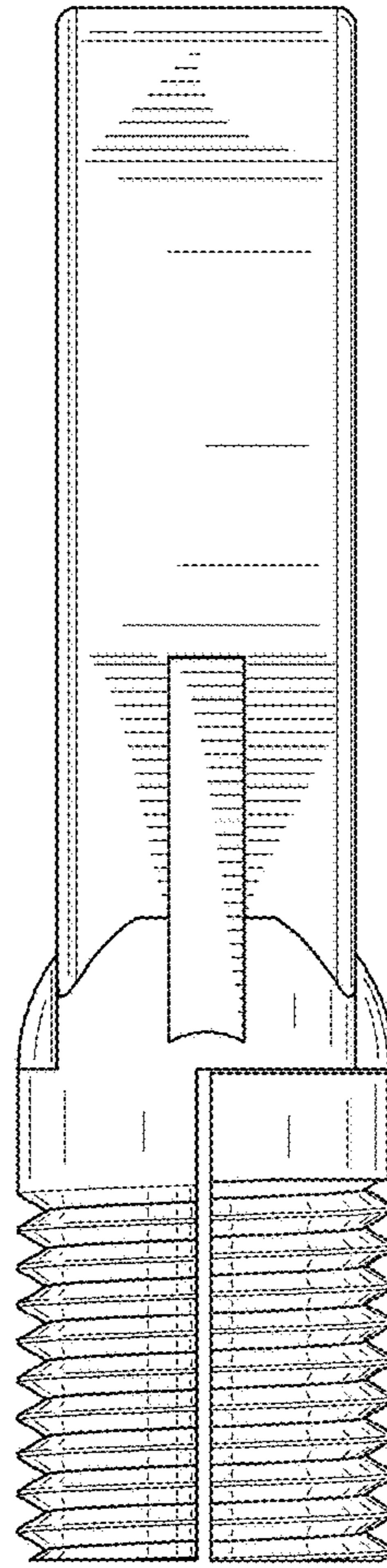


FIG. 5

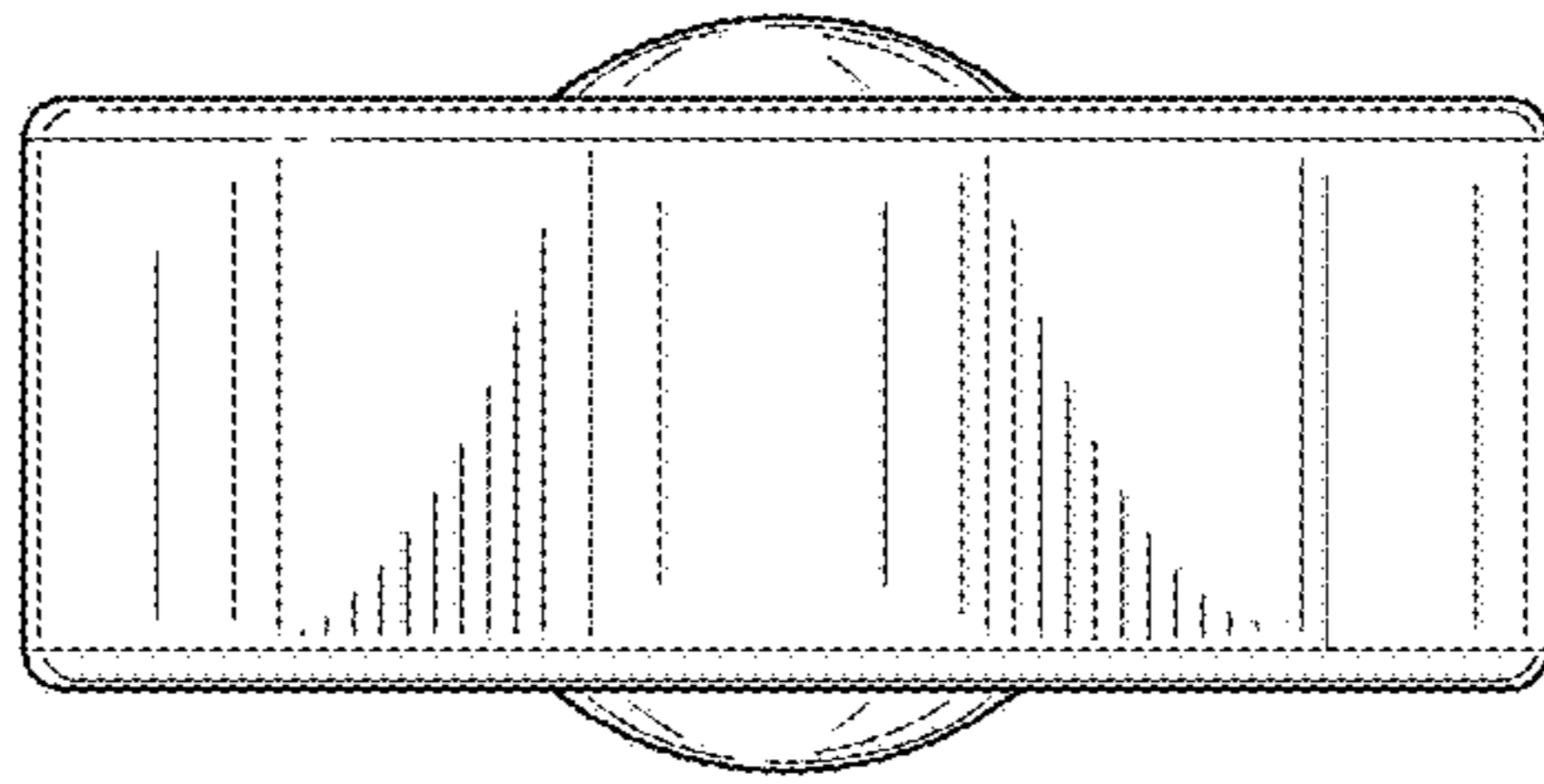


FIG. 6

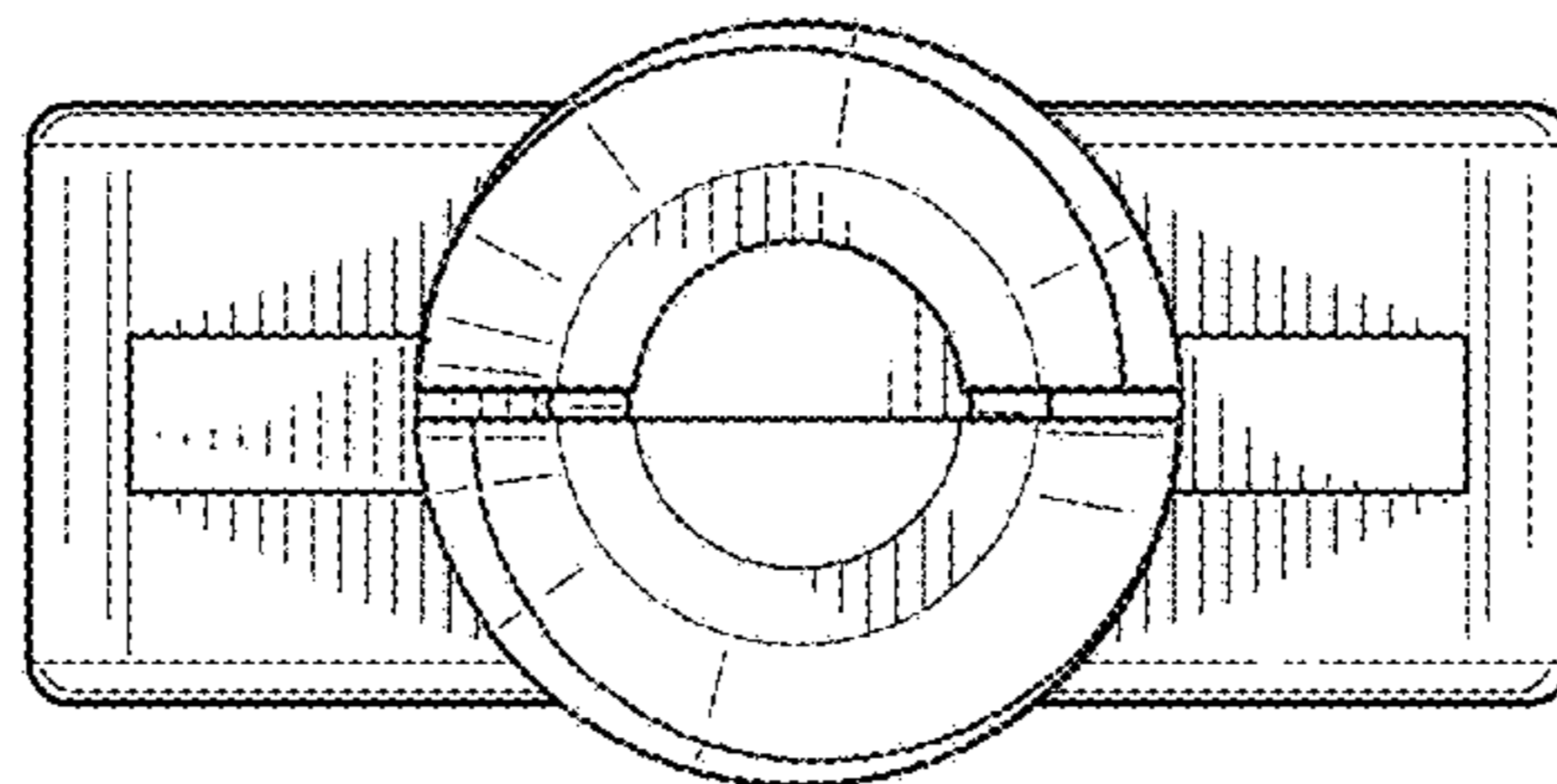


FIG. 7