



US00D862327S

(12) **United States Design Patent**
Scotti et al.

(10) **Patent No.:** **US D862,327 S**

(45) **Date of Patent:** **** Oct. 8, 2019**

- (54) **DISC BRAKE CALLIPER**
- (71) Applicant: **FRENI BREMBO S.p.A.**, Curno (Bergamo) (IT)
- (72) Inventors: **Fabio Scotti**, Curno (IT); **Andrea Teruzzi**, Curno (IT); **Cristian Crippa**, Curno (IT)
- (73) Assignee: **FRENI BREMBO S.p.A.**, Curno, Bergamo (IT)
- (**) Term: **15 Years**

- D523,794 S 6/2006 Strumbo et al.
- D555,555 S 11/2007 Ikuzawa et al.
- D556,103 S 11/2007 Morimoto
- D588,513 S 3/2009 Crippa et al.
- D600,613 S 9/2009 Jungmann et al.
- D607,793 S 1/2010 Maroni et al.
- D610,059 S 2/2010 Azimonti
- D610,507 S 2/2010 Azimonti
- D619,063 S 7/2010 Veneziano et al.
- D623,102 S 9/2010 Gherardi et al.
- D642,100 S * 7/2011 Crippa D12/180
- D692,356 S 10/2013 Owen et al.
- D700,551 S 3/2014 Davenport, III
- D739,319 S 9/2015 Montgomery
- D785,520 S 5/2017 Bonetti

(Continued)

- (21) Appl. No.: **29/589,395**
- (22) Filed: **Dec. 30, 2016**
- (30) **Foreign Application Priority Data**
Jun. 30, 2016 (IT) 402016000068148
- (51) **LOC (12) Cl.** **12-16**
- (52) **U.S. Cl.**
USPC **D12/180**
- (58) **Field of Classification Search**
USPC D12/160, 180
CPC B60T 13/686; B60T 13/588; B60T 8/4077;
B60T 13/142; B60T 13/585; B60T
13/745; F16D 65/0075
See application file for complete search history.

Primary Examiner — Robert M. Spear
(74) *Attorney, Agent, or Firm* — Merchant & Gould P.C.

(57) **CLAIM**

The ornamental design for a disc brake calliper, as shown and described.

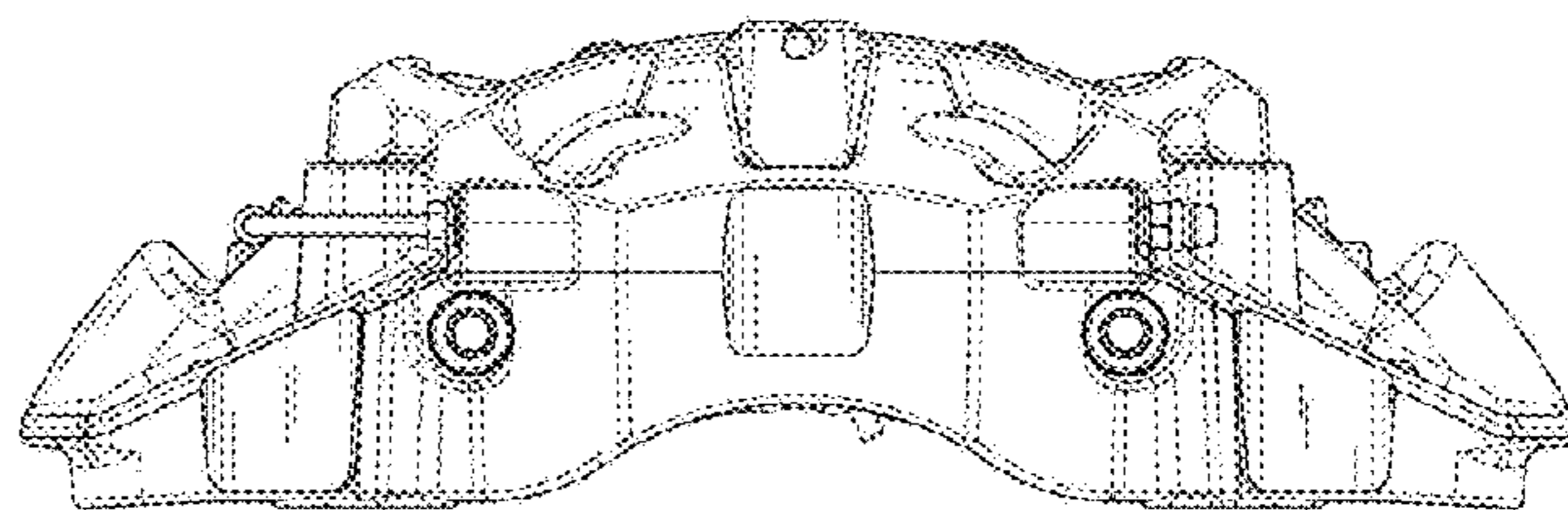
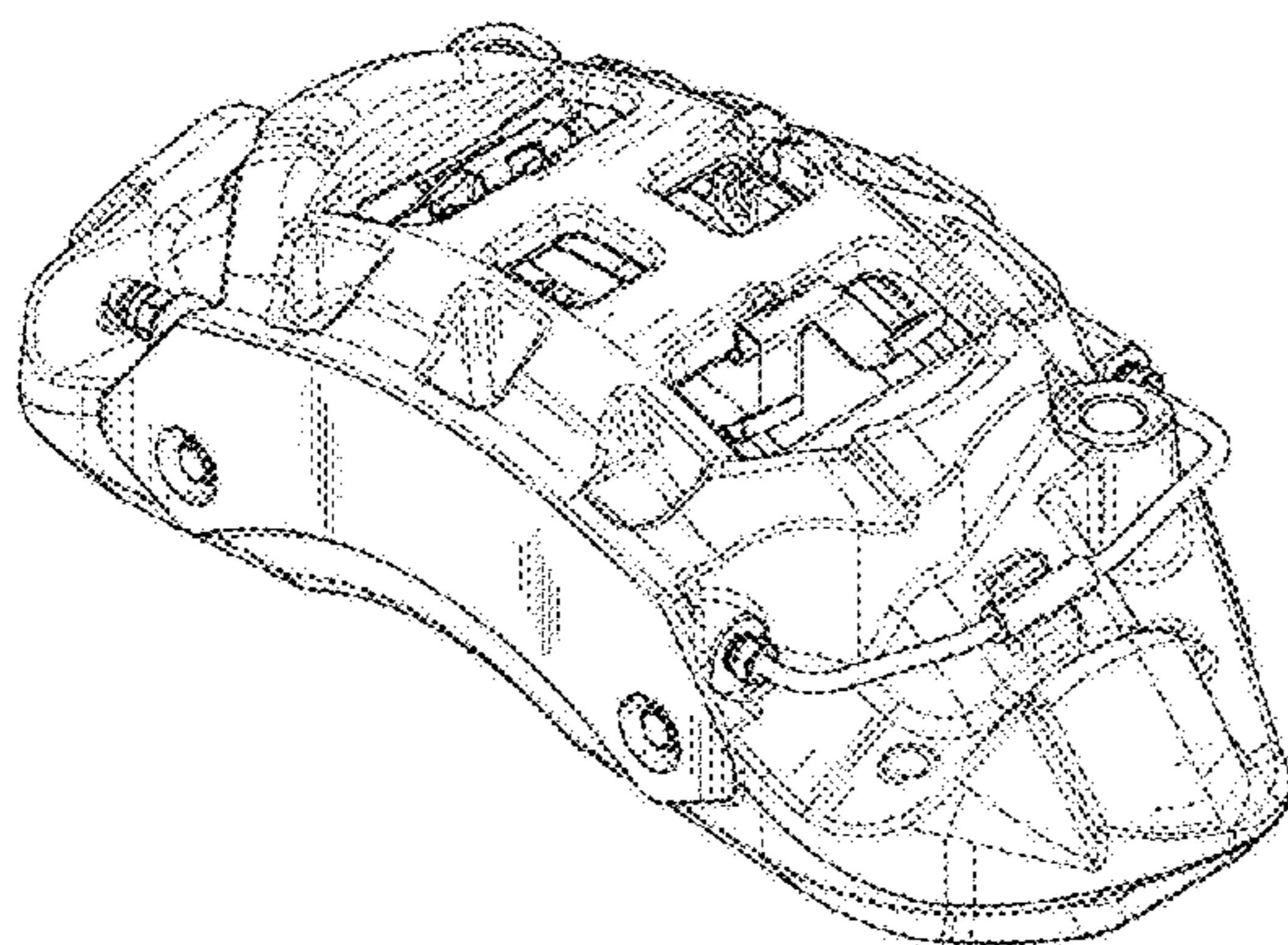
DESCRIPTION

FIG. 1 is a perspective view of a disc brake calliper showing our new design;
 FIG. 2 is a perspective view thereof from an end opposite that of FIG. 1;
 FIG. 3 is another perspective thereof;
 FIG. 4 is another perspective view thereof from an end opposite that of FIG. 3;
 FIG. 5 is a side view thereof;
 FIG. 6 is a side view thereof, from a side opposite that of FIG. 5;
 FIG. 7 is an end view thereof;
 FIG. 8 is an end view thereof from an end opposite that of FIG. 7; and,
 FIG. 9 is a top view thereof.

The broken lines illustrate portions of the disc brake calliper that form no part of the claimed design.

1 Claim, 9 Drawing Sheets

- (56) **References Cited**
U.S. PATENT DOCUMENTS
- D373,340 S 9/1996 Sands
- D442,900 S 5/2001 Separautzki
- D506,714 S 6/2005 Ono
- D508,000 S 8/2005 Schorn et al.
- D512,352 S 12/2005 Veneziano et al.
- D520,924 S 5/2006 Gotti et al.
- D522,420 S 6/2006 Crippa et al.
- D522,421 S 6/2006 Crippa et al.



(56)

References Cited

U.S. PATENT DOCUMENTS

9,657,789	B2	5/2017	Castellana et al.	
D790,417	S	6/2017	Bertone et al.	
D804,375	S	12/2017	Crippa et al.	
D813,125	S	3/2018	Crippa et al.	
D816,002	S	4/2018	Crippa et al.	
9,970,495	B2	5/2018	Crippa et al.	
2009/0236187	A1	9/2009	Bach et al.	
2013/0092481	A1*	4/2013	Crippa	F16D 55/228 188/73.31
2015/0021124	A1	1/2015	Preda et al.	
2015/0027821	A1	1/2015	Nessi et al.	
2016/0003315	A1	1/2016	Crippa et al.	
2016/0053835	A1	2/2016	Castellana et al.	

* cited by examiner

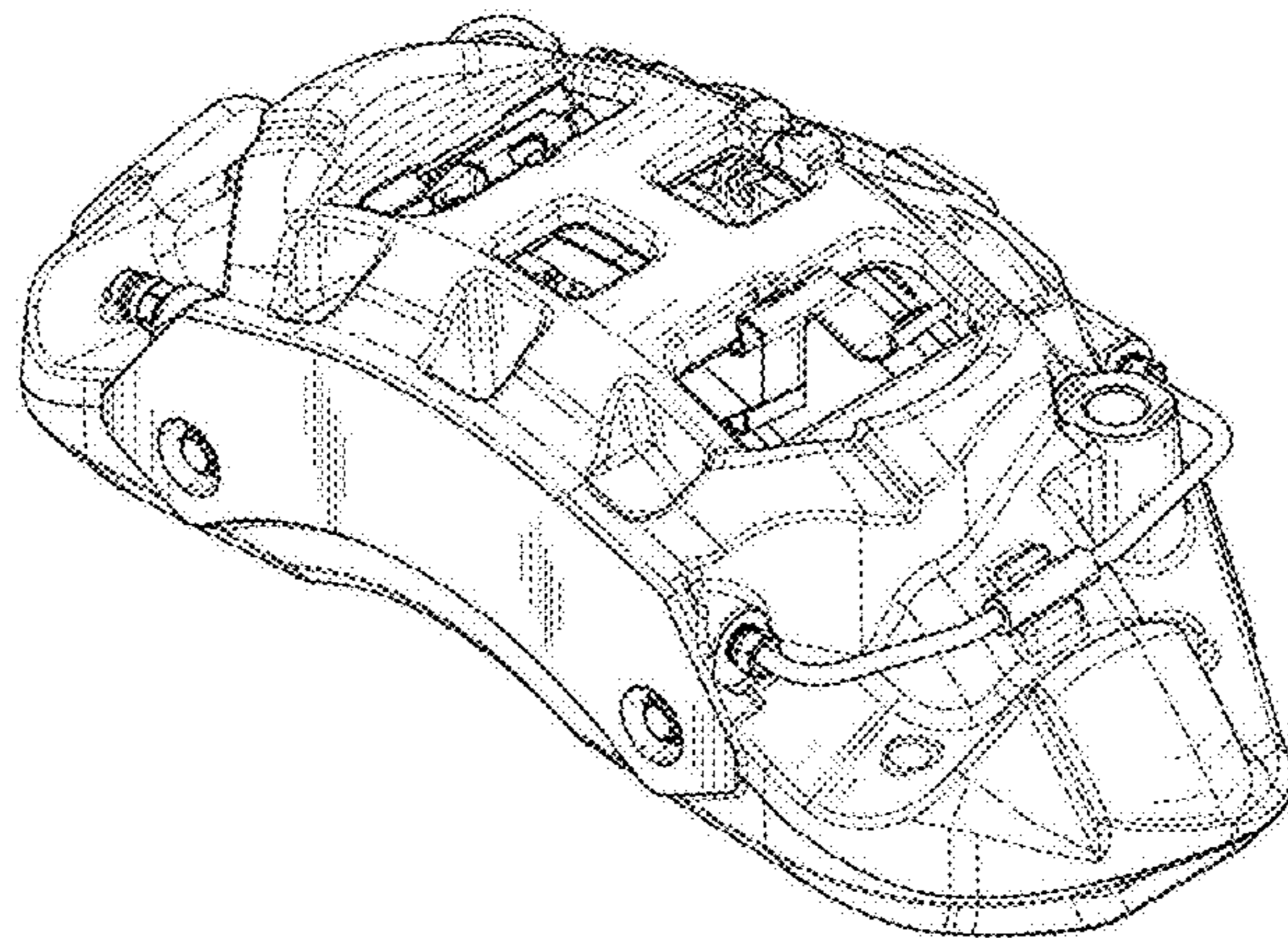


FIG.1

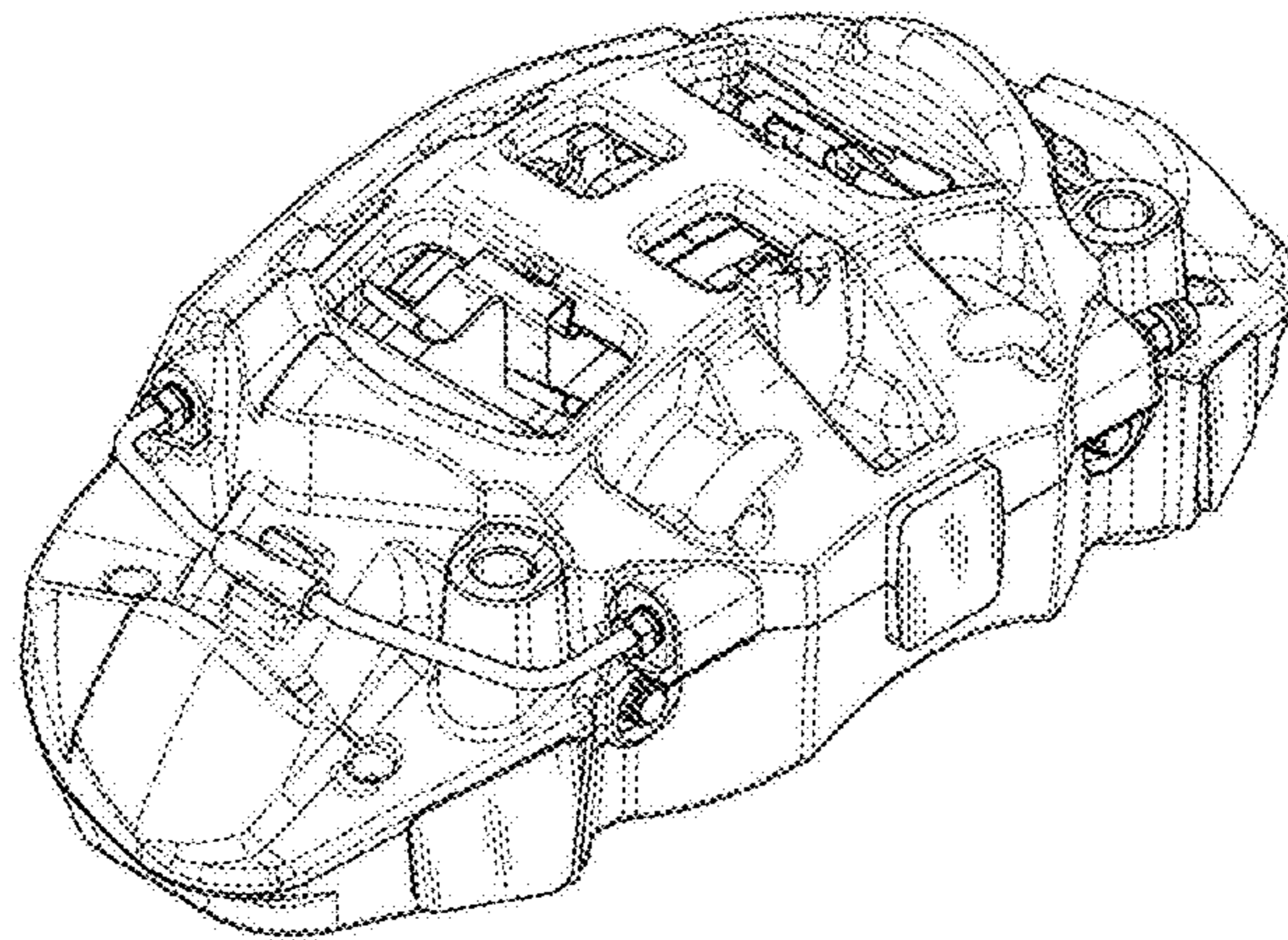


FIG.2

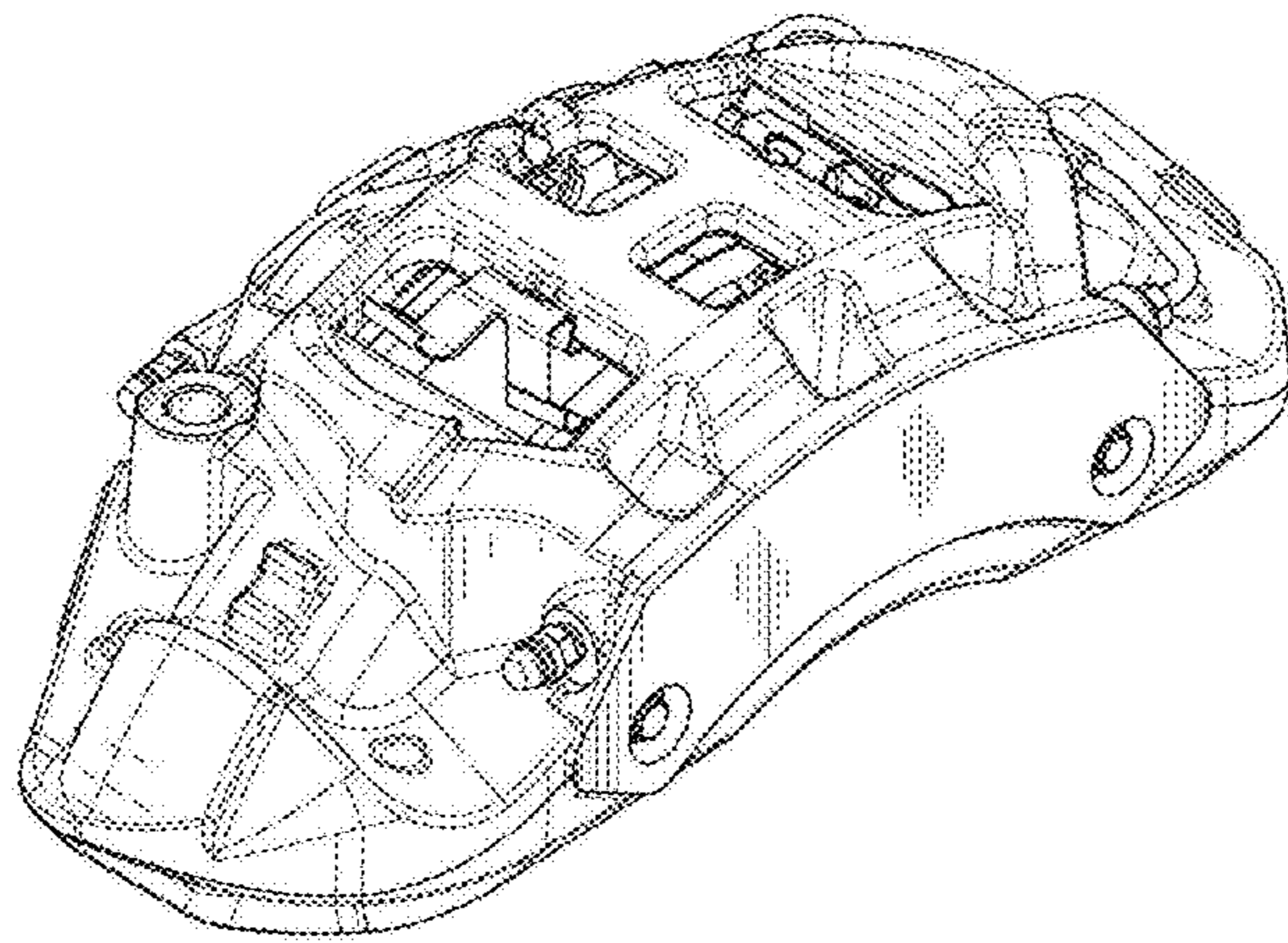


FIG.3

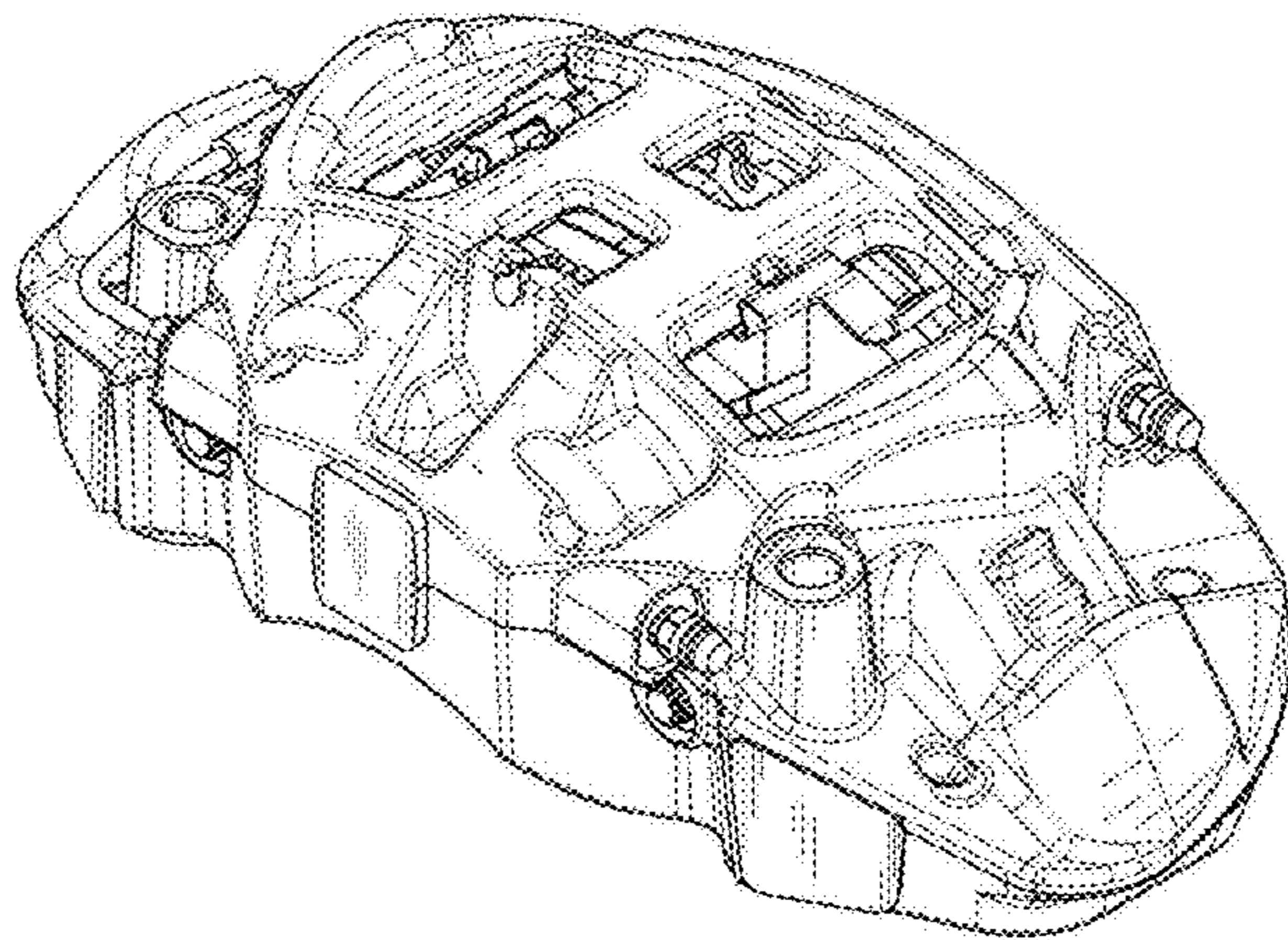


FIG.4

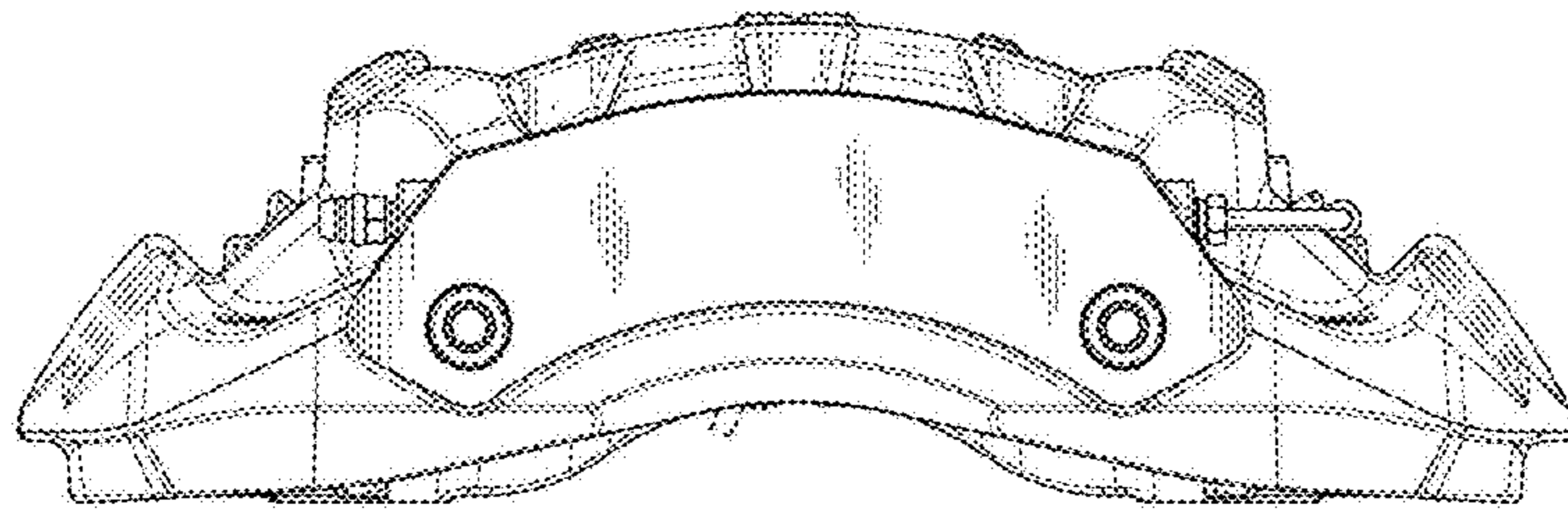


FIG.5

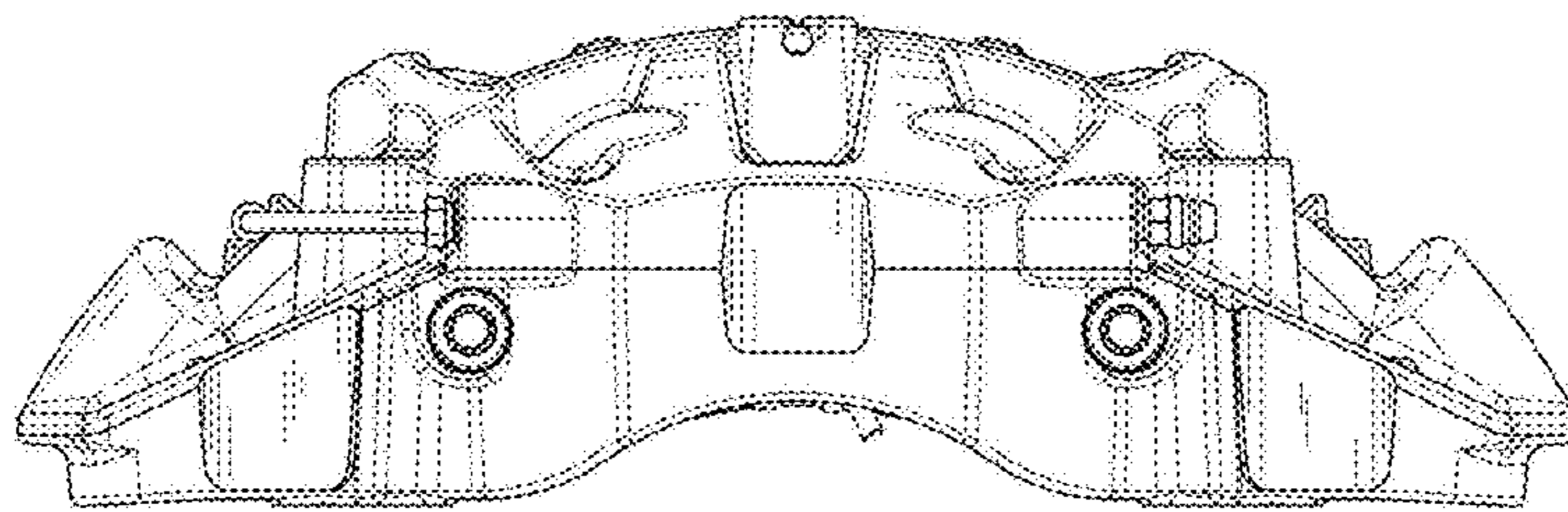


FIG.6

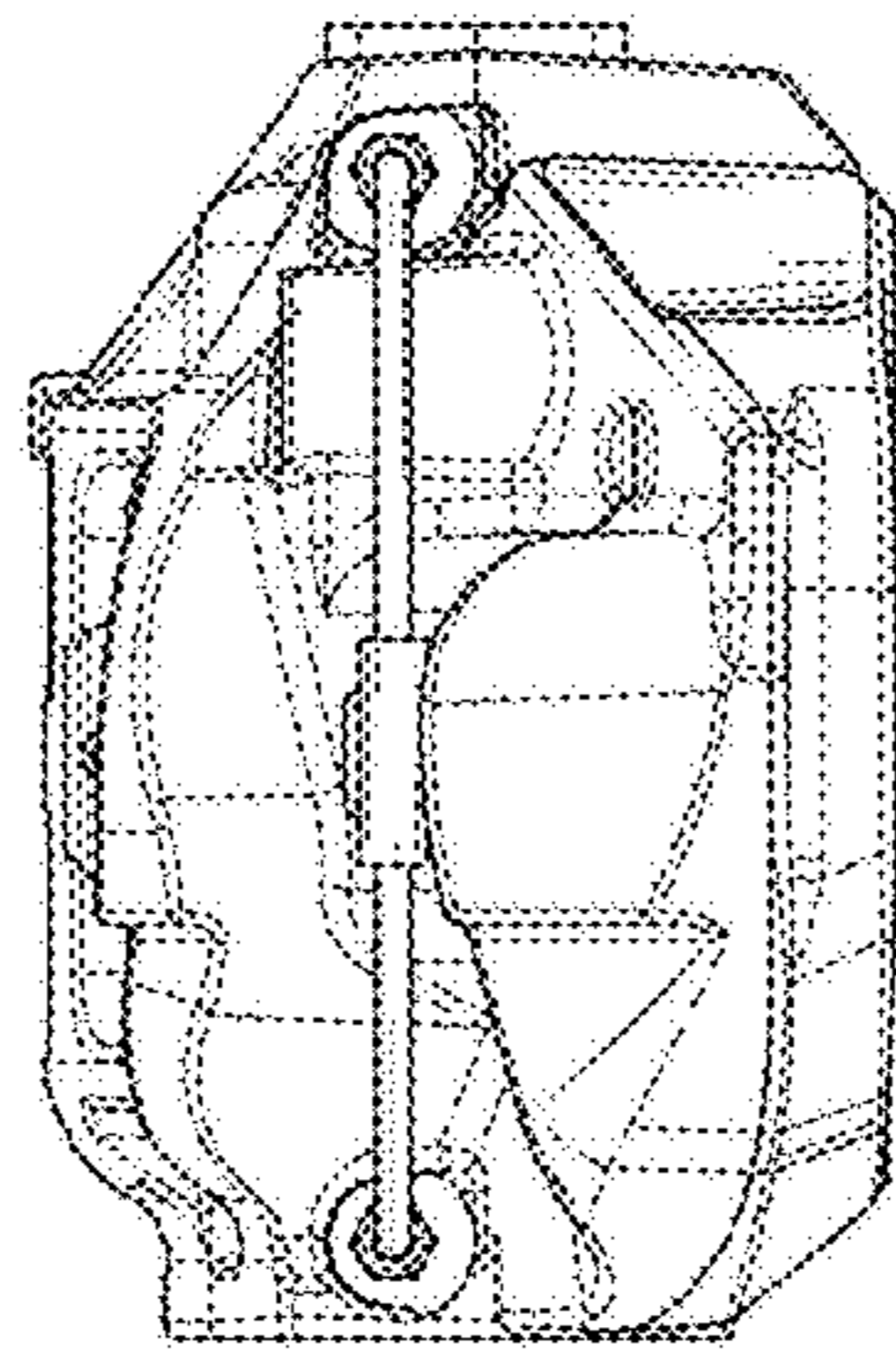


FIG.7

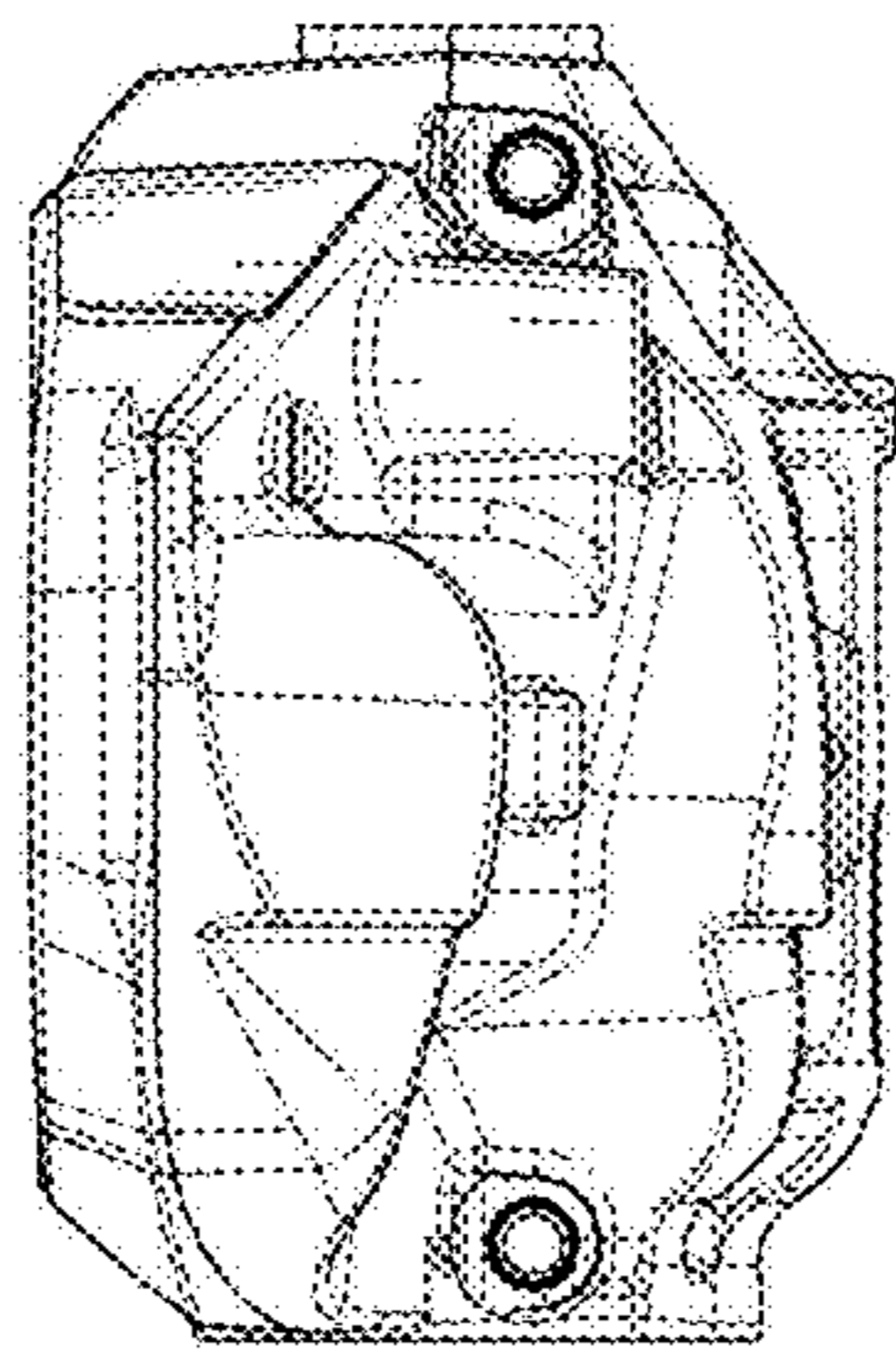


FIG.8

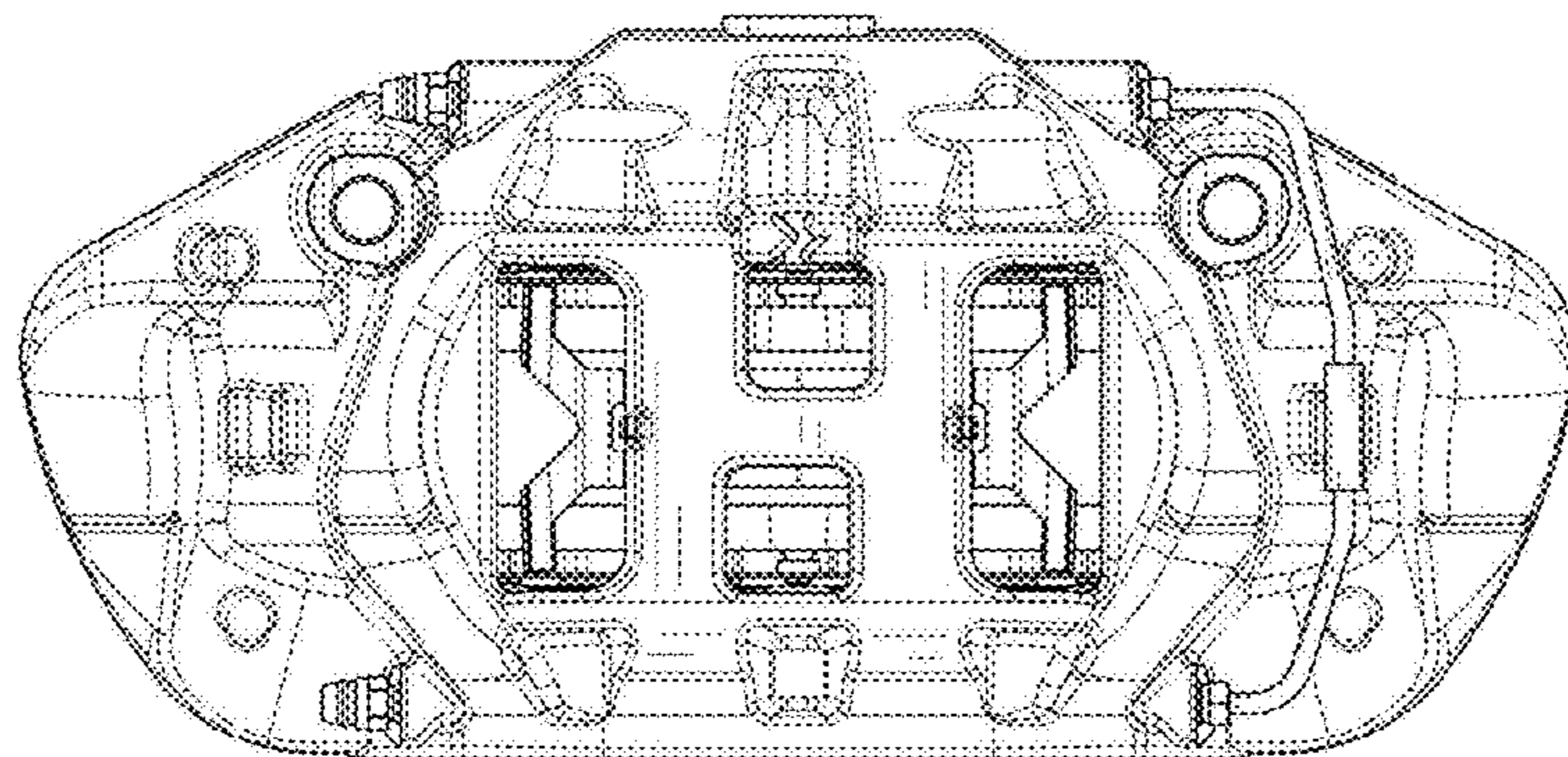


FIG.9