



US00D862326S

(12) **United States Design Patent** (10) **Patent No.:** **US D862,326 S**
Clayman, Jr. et al. (45) **Date of Patent:** **** Oct. 8, 2019**

(54) **UAV REMOTE CONTROL MOUNT ADAPTER**

FOREIGN PATENT DOCUMENTS

(71) Applicant: **Satori Aerial LLC**, Irvine, CA (US)

EM 005805538-000 3 * 11/2018
JP 04142169 A 5/1992

(72) Inventors: **Gary J. Clayman, Jr.**, Irvine, CA (US);
Wilhelmus H. Sijen, Long Beach, CA (US)

OTHER PUBLICATIONS

(73) Assignee: **SATORI AERIAL LLC**, Irvine, CA (US)

Co-Pilot for Mavic Series <https://satori-aerial.myshopify.com/collections/frontpage/products/co-pilot%C2%AE-for-mavic%E2%84%A2-series> Apr. 2, 2019 (Year: 2019).*

(Continued)

(**) Term: **15 Years**

Primary Examiner — Leanne Was-Englehart

(21) Appl. No.: **29/672,740**

(74) *Attorney, Agent, or Firm* — Entralta P.C.; Justin G. Sanders; Peter D. Weinstein

(22) Filed: **Dec. 7, 2018**

(51) **LOC (12) Cl.** **D12/177; D16/245**

(52) **U.S. Cl.**
USPC **D12/177; D16/245**

(57) **CLAIM**

(58) **Field of Classification Search**
USPC D8/349, 354, 355, 373, 380, 381;
D12/174, 177, 223; D14/217, 299, 432,
D14/433; D16/242, 244, 245; D21/454,
D21/450

The ornamental design for a UAV remote control mount adapter, as shown and described.

CPC G03B 17/00; F41A 23/14; F16M 11/08;
F16M 11/10; F16M 11/16; H01Q 1/12;
H01Q 1/1207

DESCRIPTION

See application file for complete search history.

FIG. 1 is a perspective view of our new UAV remote control mount adapter;
FIG. 2 is a right side view thereof, the left side being a mirror image thereof;
FIG. 3 is a front view thereof;
FIG. 4 is a rear view thereof;
FIG. 5 is a top view thereof;
FIG. 6 is a bottom view thereof; and,
FIG. 7 is a further right side view thereof, as engaged with an exemplary tripod and an exemplary UAV remote control. The broken lines shown are included only for the purpose of illustrating unclaimed portions of the article (in FIGS. 2, 4, 5 and 6) along with environmental subject matter by way of an exemplary tripod and an exemplary UAV remote control (in FIG. 7), and form no part of the claimed design.

(56) **References Cited**

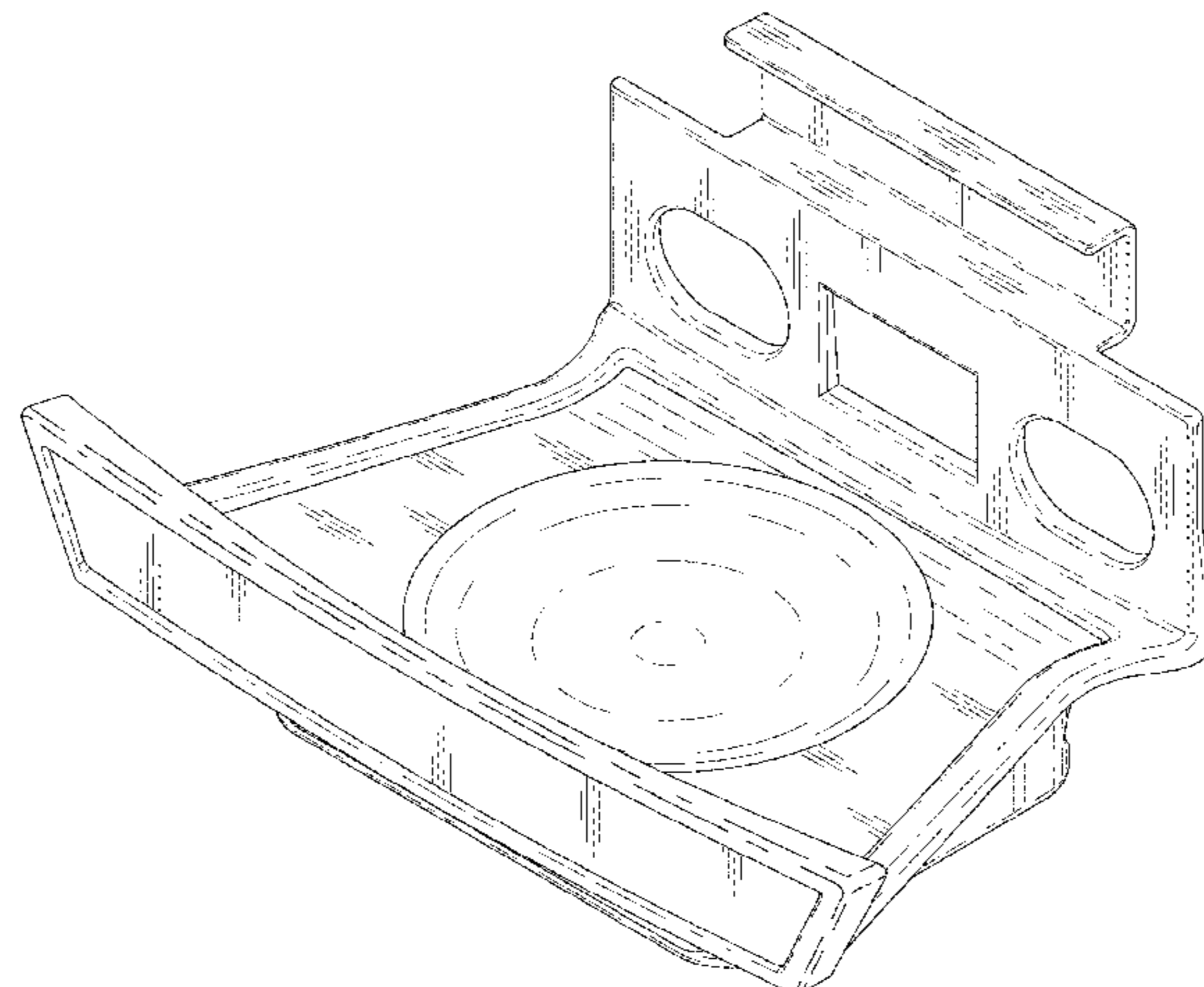
U.S. PATENT DOCUMENTS

D146,258 S * 1/1947 Gans D16/245
D148,107 S * 12/1947 Katz D16/245
D266,964 S * 11/1982 Rasheed D32/54
D353,825 S 12/1994 Forbes
D357,267 S 4/1995 Yotsuya
D386,766 S * 11/1997 Johansson D14/253
D401,544 S * 11/1998 Corsetti D12/177
D476,359 S 6/2003 Mittler
7,369,097 B1 * 5/2008 Sherwood H01Q 1/1235
343/757

7,390,130 B2 6/2008 Soulvie

(Continued)

1 Claim, 7 Drawing Sheets



(56)

References Cited

U.S. PATENT DOCUMENTS

D649,576 S	11/2011	Jannard et al.	
D649,606 S *	11/2011	Markowitz	D12/177
D659,178 S	5/2012	Huang et al.	
D688,725 S	8/2013	Tsai	
D732,602 S	6/2015	Nokuo	
D738,807 S *	9/2015	Lochala	D12/223
9,136,610 B2 *	9/2015	Blalock	H01Q 3/02
D750,540 S	3/2016	Suzuki et al.	
D751,476 S	3/2016	Suzuki et al.	
D753,638 S *	4/2016	Tatem	D14/239
D755,182 S *	5/2016	Bassett	D14/432
D759,164 S *	6/2016	Bei	D21/454
D788,951 S *	6/2017	Lopez	D25/199
D822,379 S	7/2018	Li	
10,092,105 B2	10/2018	Cohen	
D844,336 S *	4/2019	Tran	D6/320
2010/0218670 A1 *	9/2010	Keng	F41A 23/14 89/37.04

OTHER PUBLICATIONS

Gimbal-Guard PHANTOM4 RC to tripod mount, published at http://www.gimbal-guard.com/_p/prd13/4496851781/product/remote-control-to-tripod-connector.

Hoodman USA Drone Controller Tripod Mount for DJI, published at <http://shop.hoodmanusa.com/product-p/hdcmdji.htm>.

* cited by examiner

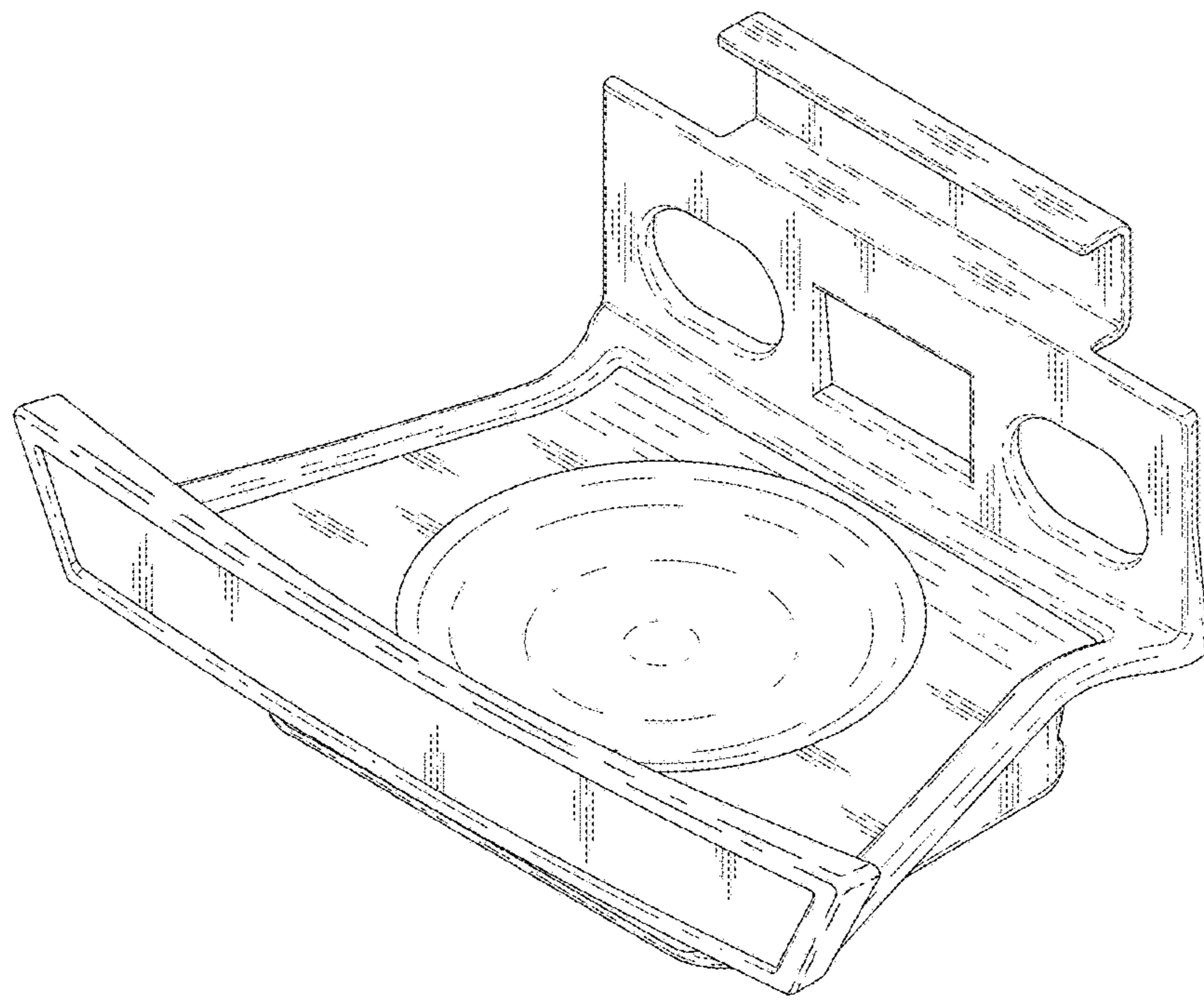


Fig. 1

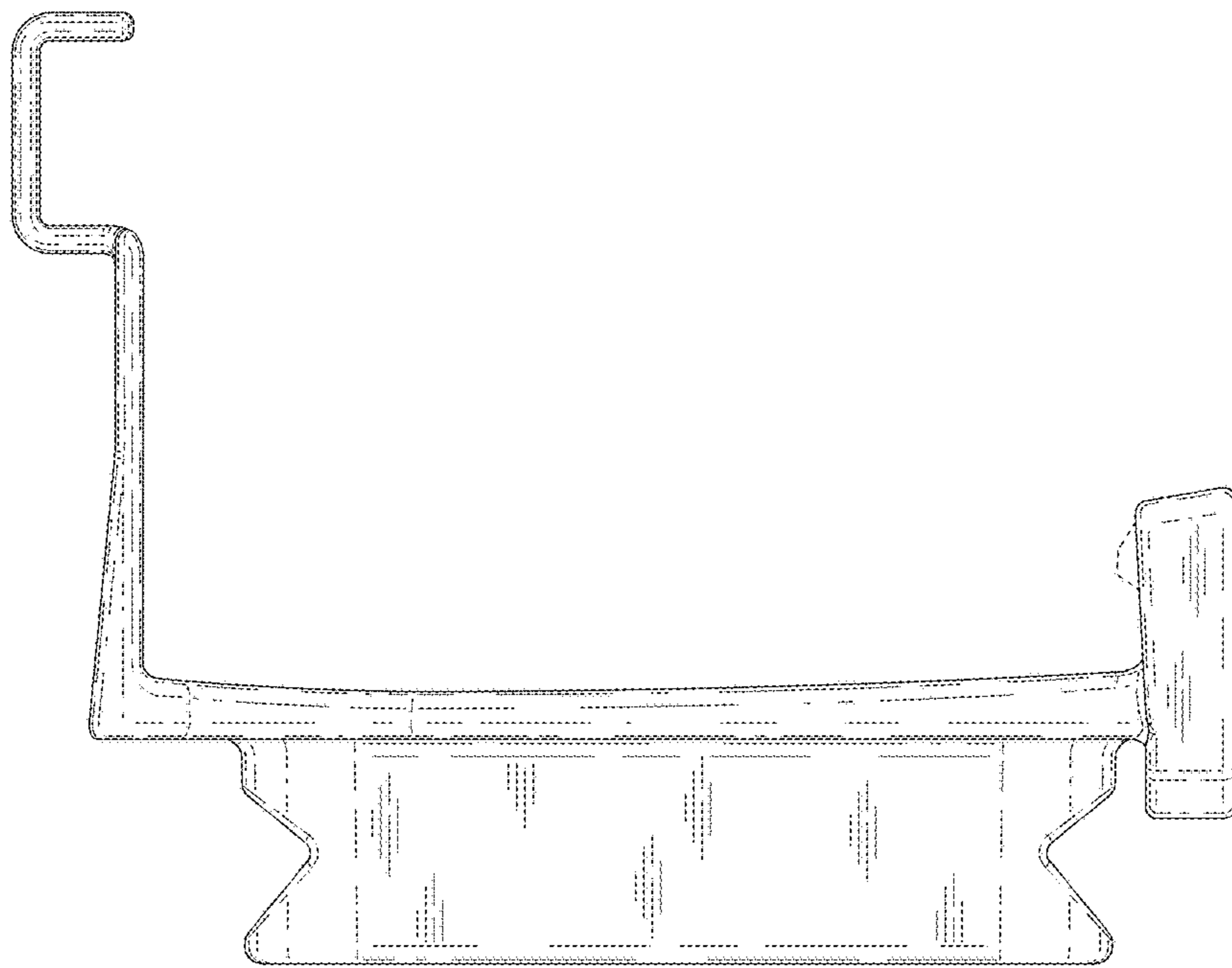


Fig. 2

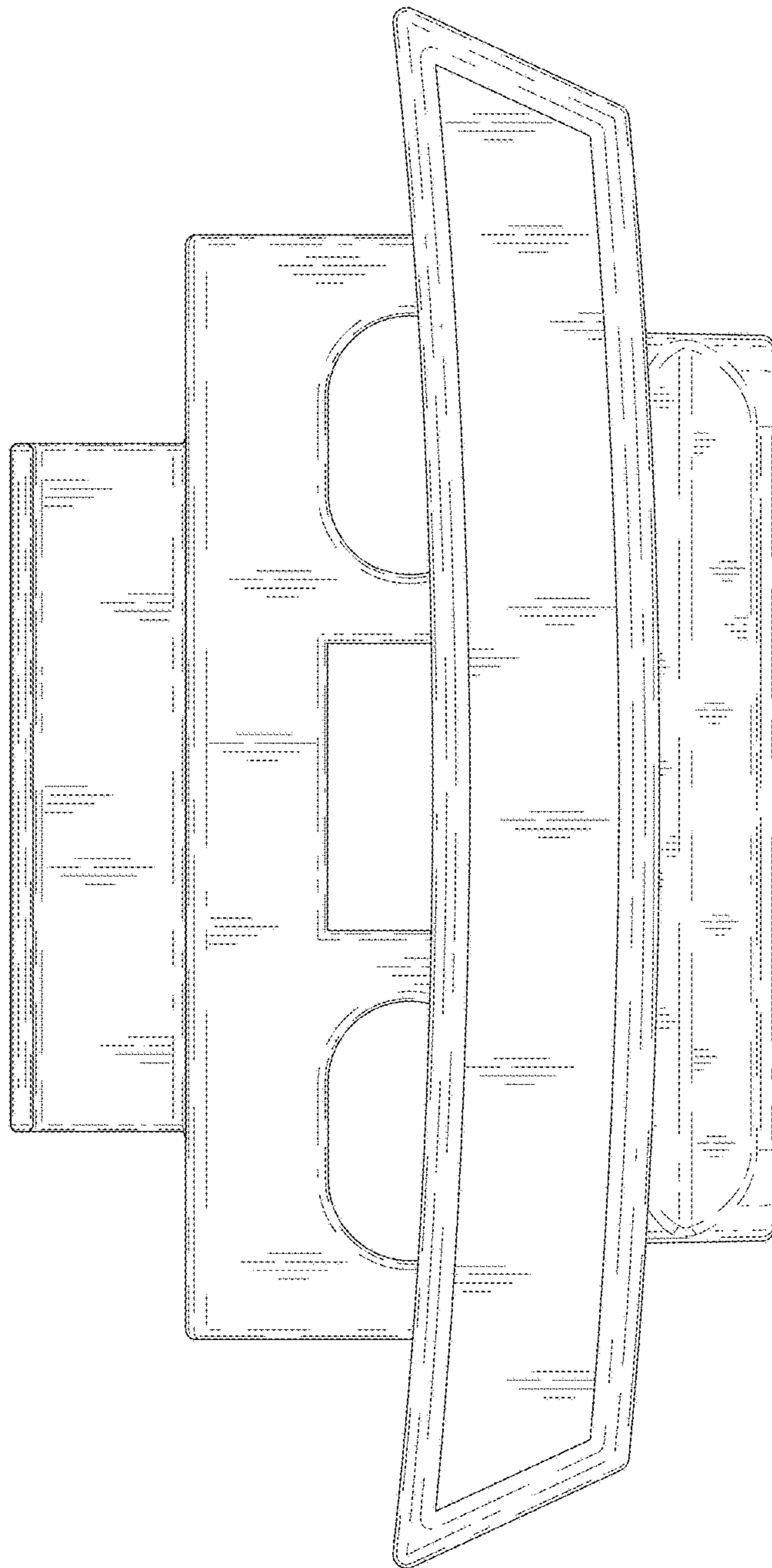


Fig. 3

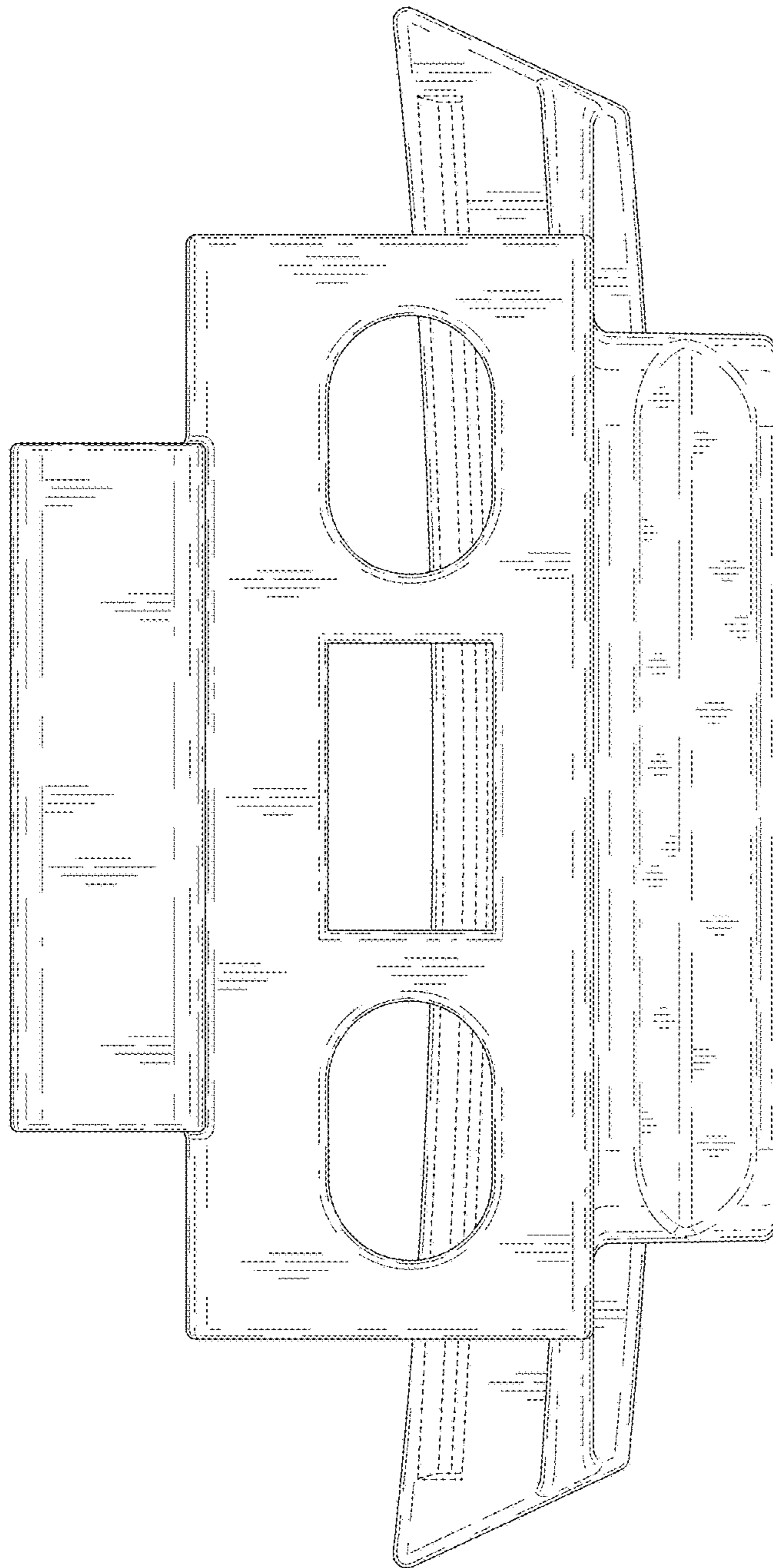


Fig. 4

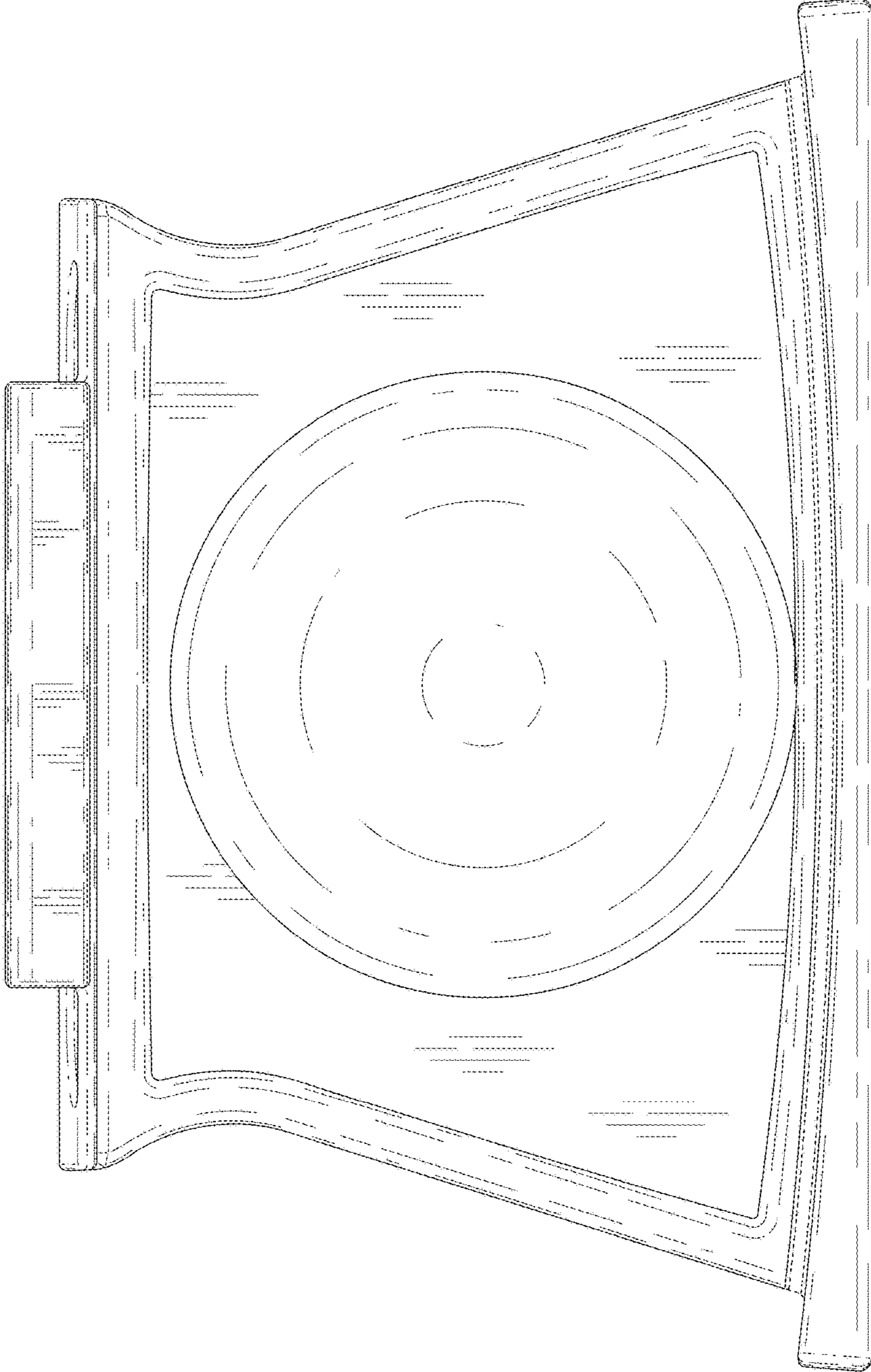


Fig. 5

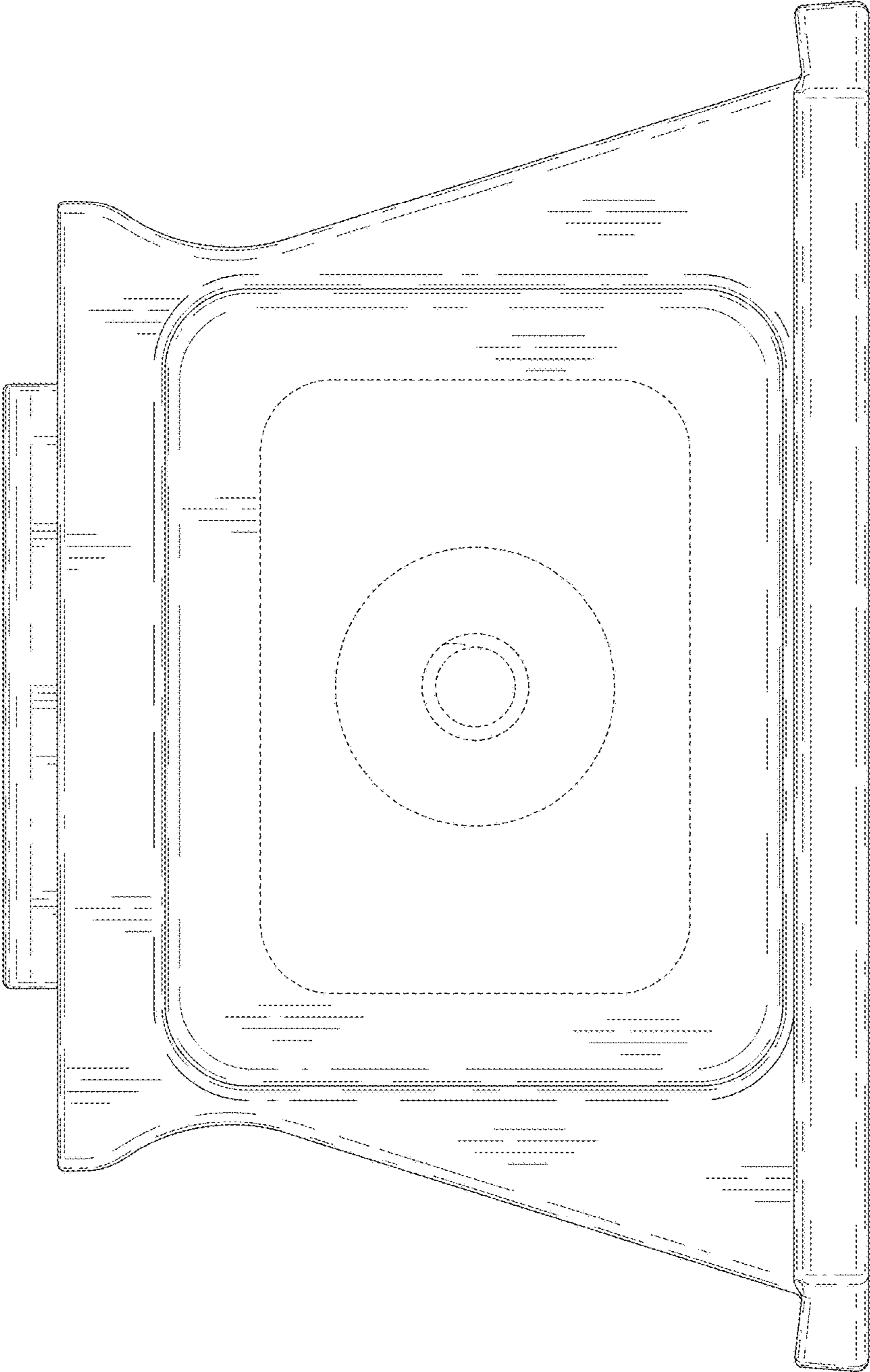


Fig. 6

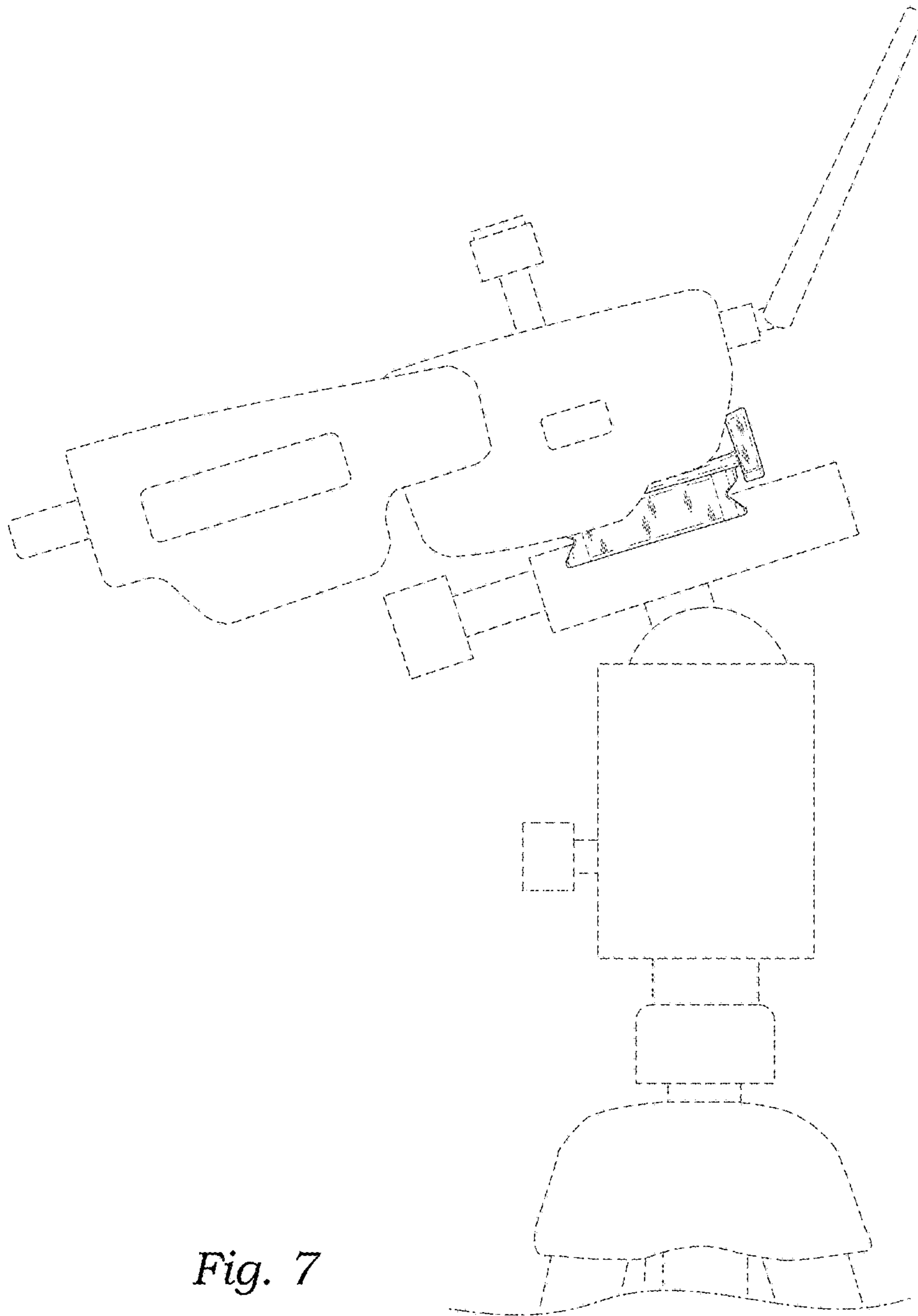


Fig. 7