



US00D862325S

(12) **United States Design Patent**
Heiner et al.

(10) **Patent No.:** **US D862,325 S**
(45) **Date of Patent:** **** *Oct. 8, 2019**

(54) **CONTROL PANEL**

(71) Applicant: **JST Performance, LLC**, Gilbert, AZ (US)

(72) Inventors: **Johnathan J. Heiner**, Mesa, AZ (US);
Gustavo G. DaSilva Ramos, Gilbert, AZ (US)

(73) Assignee: **JST Performance, LLC**, Gilbert, AZ (US)

(*) Notice: This patent is subject to a terminal disclaimer.

(**) Term: **15 Years**

(21) Appl. No.: **29/577,455**

(22) Filed: **Sep. 13, 2016**

(51) **LOC (12) Cl.** **12-16**

(52) **U.S. Cl.**
USPC **D12/174**

(58) **Field of Classification Search**
USPC D12/174, 177; D13/168, 169; D14/388,
D14/396, 398, 399

(Continued)

(56) **References Cited**

U.S. PATENT DOCUMENTS

D356,316 S * 3/1995 Culbertson D14/137
D364,850 S * 12/1995 Estrada D10/65

(Continued)

Primary Examiner — Robert M. Spear

(57) **CLAIM**

The ornamental design for a control panel, as shown and described.

DESCRIPTION

FIG. 1 is a front, top, right, perspective view of a control panel showing our new design;

FIG. 2 is a front, top, left, perspective view thereof;
FIG. 3 is a front, bottom, right, perspective view thereof;
FIG. 4 is a front, bottom, left, perspective view thereof;
FIG. 5 is a front side view thereof;
FIG. 6 is a right side view thereof;
FIG. 7 is a left side view thereof;
FIG. 8 is a top view thereof;
FIG. 9 is a bottom view thereof;
FIG. 10 is a front, top, right, perspective view of a second embodiment of the control panel, the only difference being the button icon configuration;
FIG. 11 is a front, top, left, perspective view thereof;
FIG. 12 is a front, bottom, right, perspective view thereof;
FIG. 13 is a front, bottom, left, perspective view thereof;
FIG. 14 is a front side view thereof;
FIG. 15 is a front, top, right, perspective view of a third embodiment of the control panel, the only difference being the button icon configuration;
FIG. 16 is a front, top, left, perspective view thereof;
FIG. 17 is a front, bottom, right, perspective view thereof;
FIG. 18 is a front, bottom, left, perspective view thereof;
FIG. 19 is a front side view thereof;
FIG. 20 is a front, top, right, perspective view of a fourth embodiment of the control panel, the only difference being the button icon configuration;
FIG. 21 is a front, top, left, perspective view thereof;
FIG. 22 is a front, bottom, right, perspective view thereof;
FIG. 23 is a front, bottom, left, perspective view thereof;
FIG. 24 is a front side view thereof;
FIG. 25 is a front, top, right, perspective view of a fifth embodiment of the control panel, the only difference being the button icon configuration;
FIG. 26 is a front, top, left, perspective view thereof;
FIG. 27 is a front, bottom, right, perspective view thereof;
FIG. 28 is a front, bottom, left, perspective view thereof;
FIG. 29 is a front side view thereof;
FIG. 30 is a front, top, right, perspective view of a sixth embodiment of the control panel, the only difference being the button icon configuration;
FIG. 31 is a front, top, left, perspective view thereof;
FIG. 32 is a front, bottom, right, perspective view thereof;
FIG. 33 is a front, bottom, left, perspective view thereof;
FIG. 34 is a front side view thereof;

(Continued)

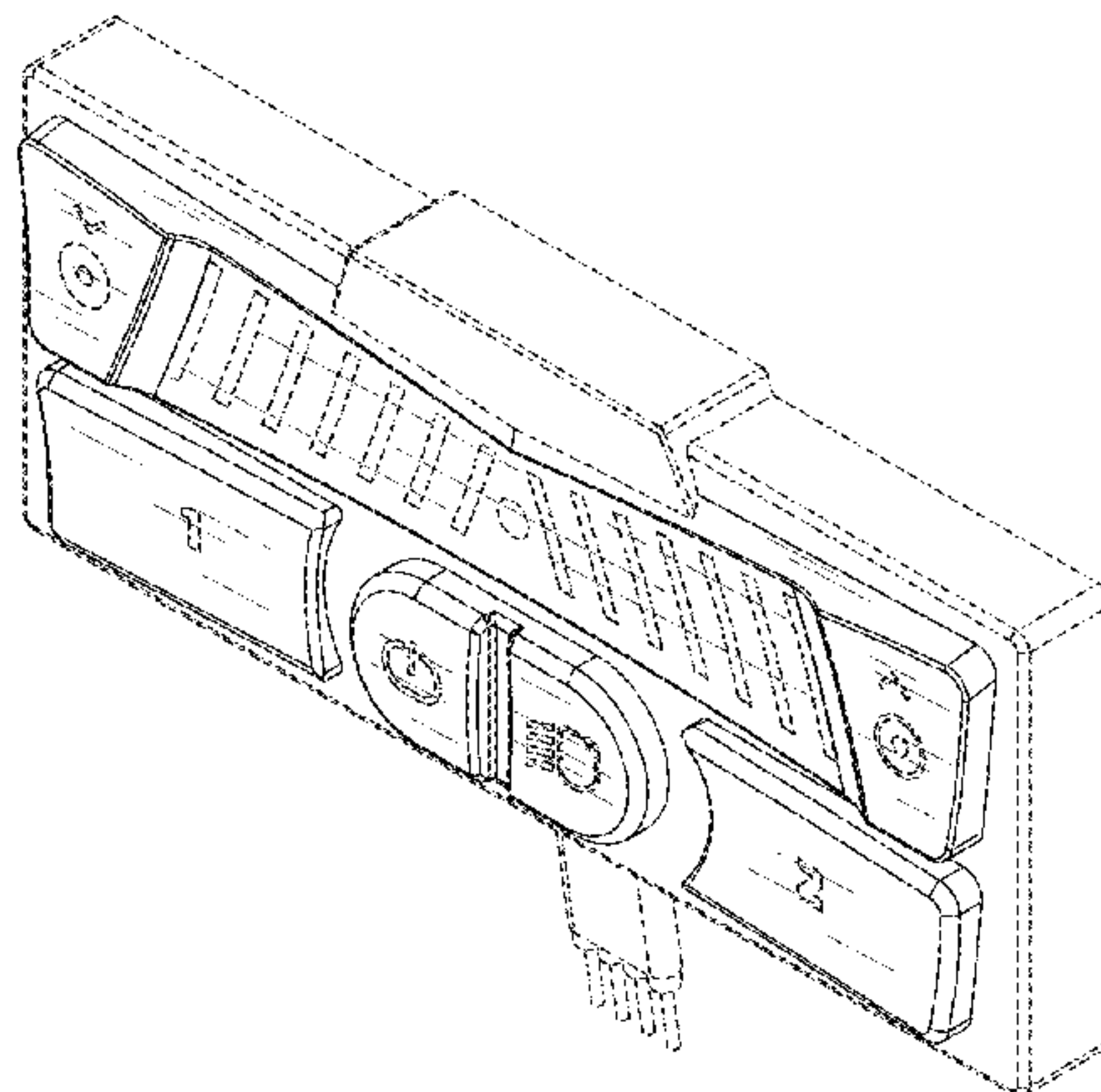


FIG. 35 is a front, top, right, perspective view of a seventh embodiment of the control panel, the only difference being the button icon configuration;
 FIG. 36 is a front, top, left, perspective view thereof;
 FIG. 37 is a front, bottom, right, perspective view thereof;
 FIG. 38 is a front, bottom, left, perspective view thereof;
 FIG. 39 is a front side view thereof;
 FIG. 40 is a front, top, right, perspective view of an eighth embodiment of the control panel, the only difference being the button icon configuration;
 FIG. 41 is a front, top, left, perspective view thereof;
 FIG. 42 is a front, bottom, right, perspective view thereof;
 FIG. 43 is a front, bottom, left, perspective view thereof;
 FIG. 44 is a front side view thereof;
 FIG. 45 is a front, top, right, perspective view of a ninth embodiment of the control panel, the only difference being the button icon configuration;
 FIG. 46 is a front, top, left, perspective view thereof;
 FIG. 47 is a front, bottom, right, perspective view thereof;
 FIG. 48 is a front, bottom, left, perspective view thereof;
 FIG. 49 is a front side view thereof;
 FIG. 50 is a front, top, right, perspective view of a tenth embodiment of the control panel, the only difference being the button icon configuration;
 FIG. 51 is a front, top, left, perspective view thereof;
 FIG. 52 is a front, bottom, right, perspective view thereof;
 FIG. 53 is a front, bottom, left, perspective view thereof;
 FIG. 54 is a front side view thereof;
 FIG. 55 is a front, top, right, perspective view of an eleventh embodiment of the control panel, the only difference being the button icon configuration;
 FIG. 56 is a front, top, left, perspective view thereof;
 FIG. 57 is a front, bottom, right, perspective view thereof;
 FIG. 58 is a front, bottom, left, perspective view thereof;
 FIG. 59 is a front side view thereof;
 FIG. 60 is a front, top, right, perspective view of a twelfth embodiment of the control panel, the only difference being the button icon configuration;
 FIG. 61 is a front, top, left, perspective view thereof;
 FIG. 62 is a front, bottom, right, perspective view thereof;
 FIG. 63 is a front, bottom, left, perspective view thereof;
 FIG. 64 is a front side view thereof;
 FIG. 65 is a front, top, right, perspective view of a thirteenth embodiment of the control panel, the only difference being the button icon configuration;
 FIG. 66 is a front, top, left, perspective view thereof;
 FIG. 67 is a front, bottom, right, perspective view thereof;
 FIG. 68 is a front, bottom, left, perspective view thereof;
 FIG. 69 is a front side view thereof;
 FIG. 70 is a front, top, right, perspective view of a fourteenth embodiment of the control panel, the only difference being the button icon configuration;
 FIG. 71 is a front, top, left, perspective view thereof;
 FIG. 72 is a front, bottom, right, perspective view thereof;

FIG. 73 is a front, bottom, left, perspective view thereof;
 FIG. 74 is a front side view thereof;
 FIG. 75 is a front, top, right, perspective view of a fifteenth embodiment of the control panel, the only difference being the button icon configuration;
 FIG. 76 is a front, top, left, perspective view thereof;
 FIG. 77 is a front, bottom, right, perspective view thereof;
 FIG. 78 is a front, bottom, left, perspective view thereof;
 FIG. 79 is a front side view thereof;
 FIG. 80 is a front, top, right, perspective view of a sixteenth embodiment of the control panel, the only difference being the button icon configuration;
 FIG. 81 is a front, top, left, perspective view thereof;
 FIG. 82 is a front, bottom, right, perspective view thereof;
 FIG. 83 is a front, bottom, left, perspective view thereof;
 FIG. 84 is a front side view thereof;
 FIG. 85 is a front, top, right, perspective view of a seventeenth embodiment of the control panel, the only difference being the button icon configuration;
 FIG. 86 is a front, top, left, perspective view thereof;
 FIG. 87 is a front, bottom, right, perspective view thereof;
 FIG. 88 is a front, bottom, left, perspective view thereof;
 and,
 FIG. 89 is a front side view thereof.
 The broken lines in the drawings illustrate portions of the control panel which form no part of the claimed design.

1 Claim, 89 Drawing Sheets

(58) **Field of Classification Search**
 CPC . G08C 17/02; G08C 2201/00; G08C 2201/92
 See application file for complete search history.

(56) **References Cited**

U.S. PATENT DOCUMENTS

D373,317	S	*	9/1996	Feng	D10/104.1
D394,626	S	*	5/1998	Sacco	D12/192
D415,735	S	*	10/1999	Zuege	D13/168
D518,425	S	*	4/2006	Tatsumi	D12/174
D543,537	S	*	5/2007	Chau	D14/218
D595,667	S	*	7/2009	Lasky	D13/168
D699,224	S	*	2/2014	Diamond	D14/218
D703,188	S	*	4/2014	Maier	D14/218
D719,935	S	*	12/2014	Diamond	D14/218
D771,597	S	*	11/2016	Akana	D14/218
D777,623	S	*	1/2017	Anderton	D12/174
D778,844	S	*	2/2017	Tsudoku	D13/168
D807,307	S	*	1/2018	Zheng	D13/168

* cited by examiner

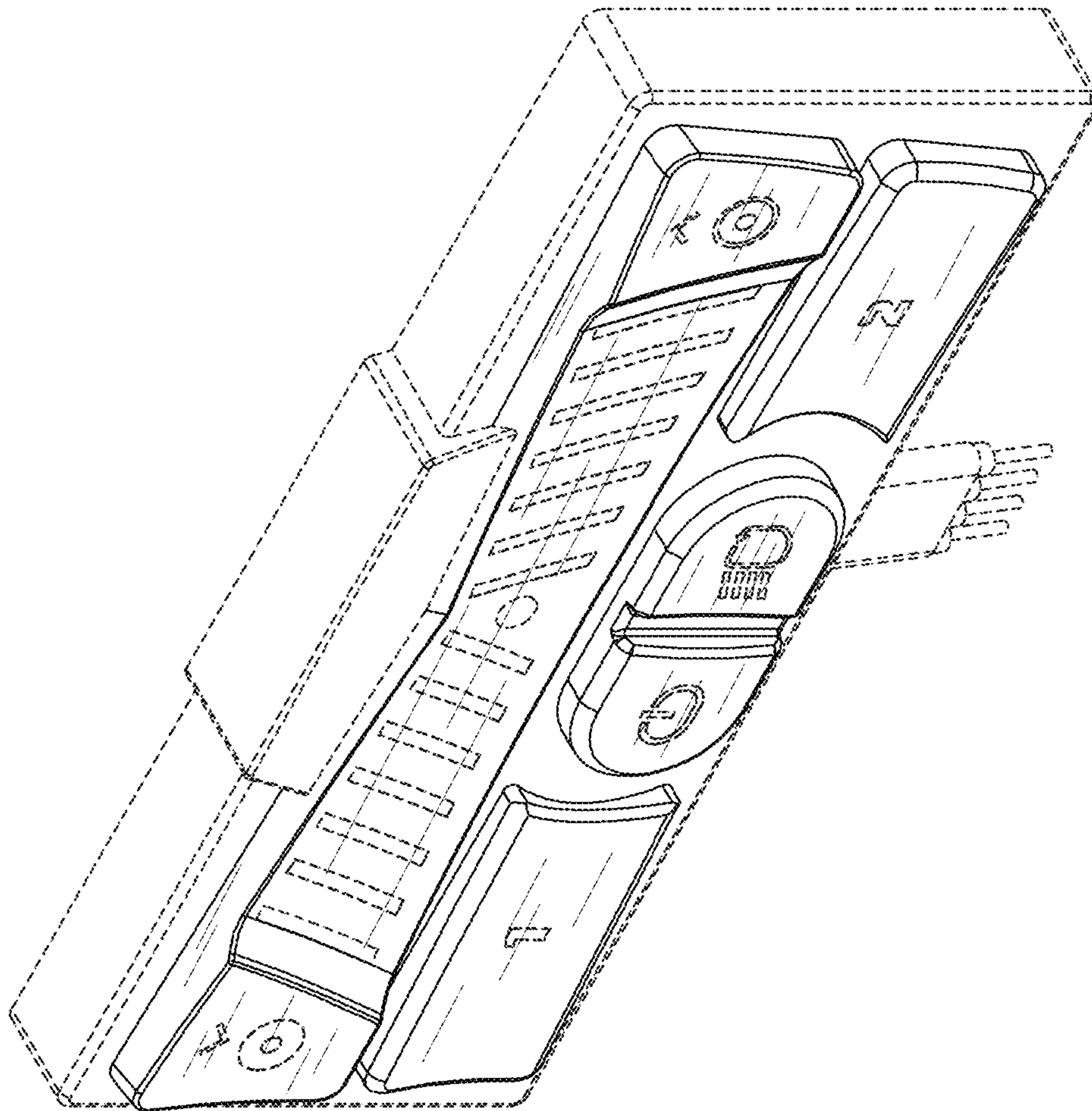


FIG. 1

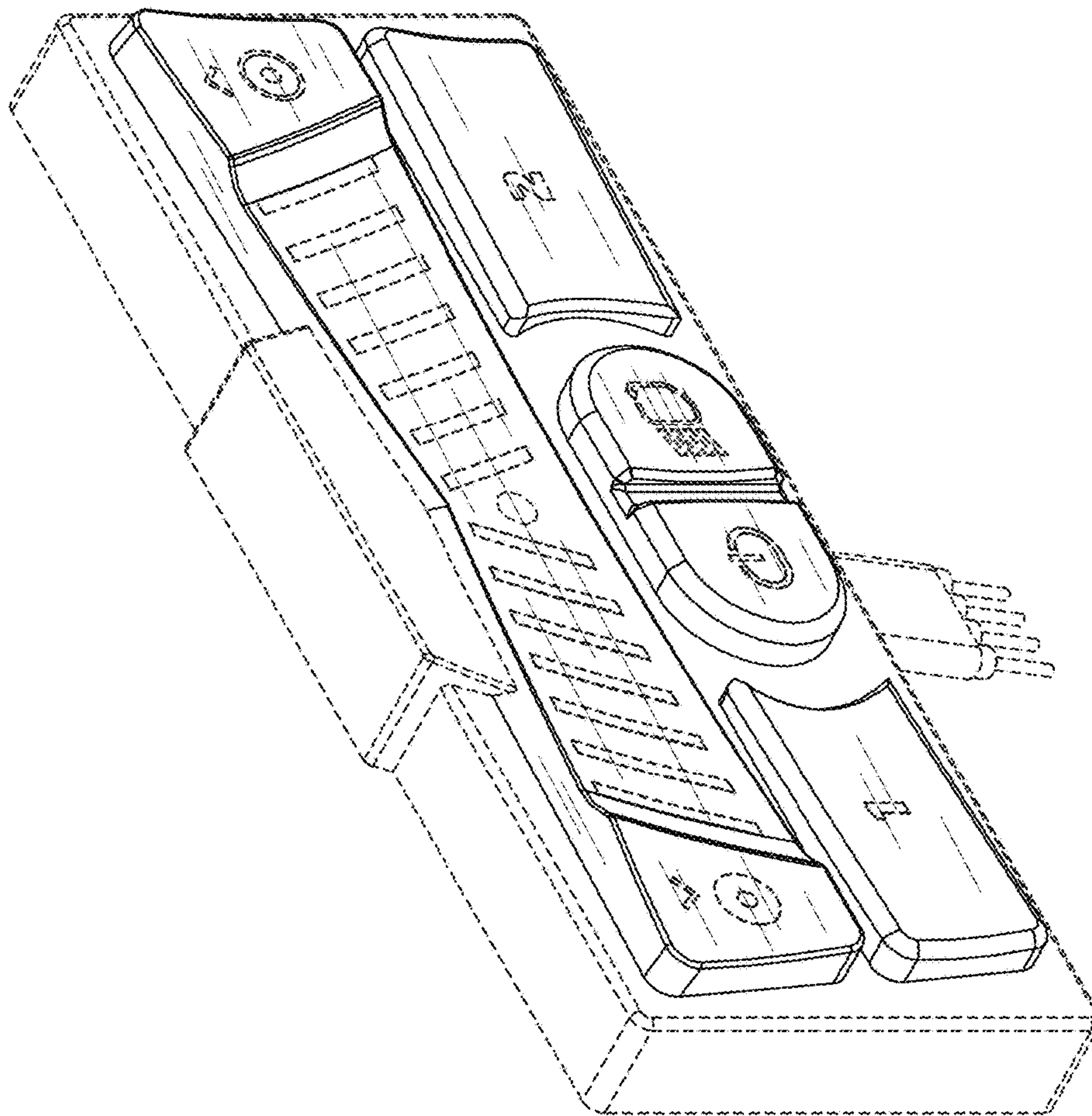


FIG. 2

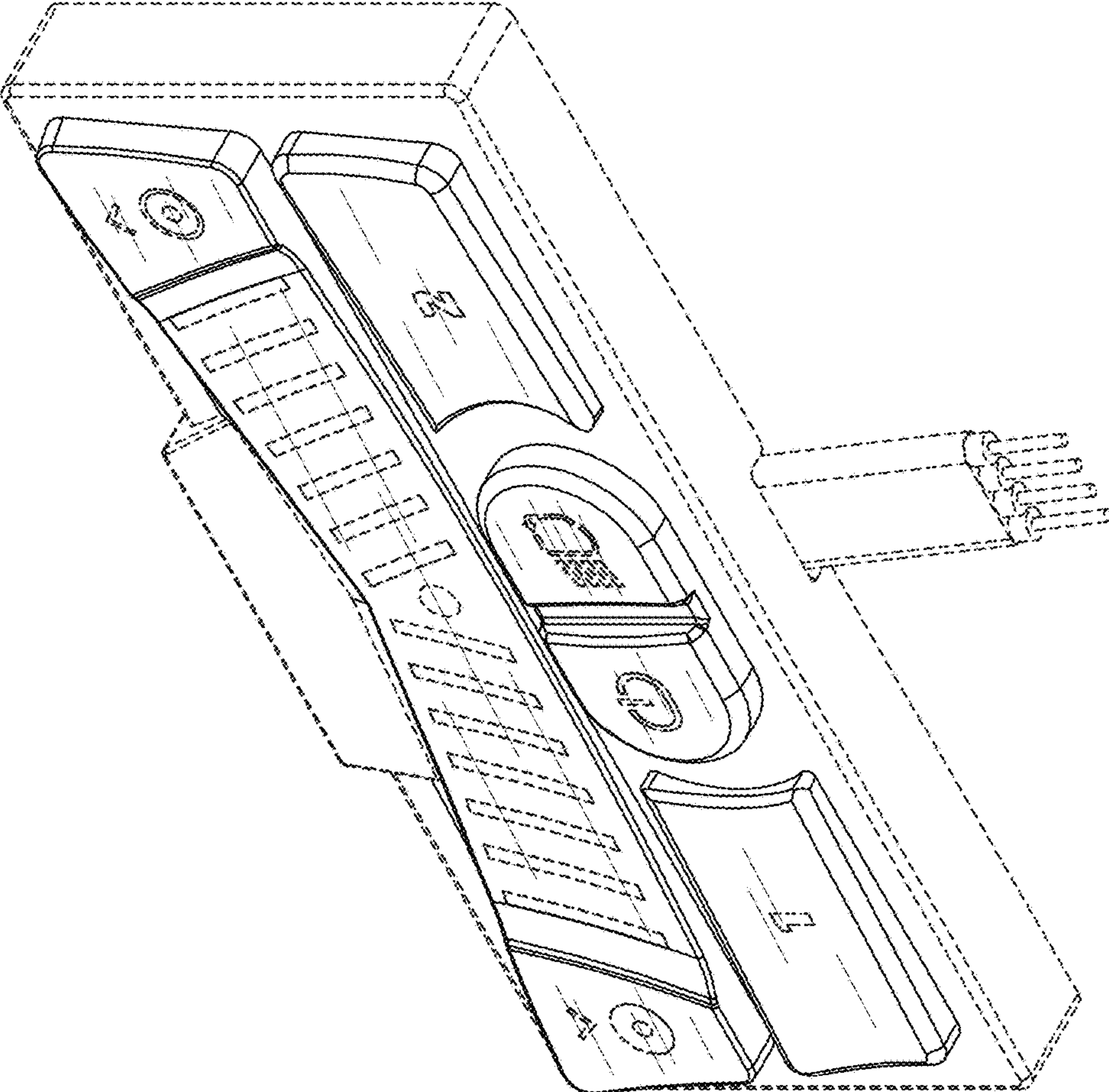


FIG. 3

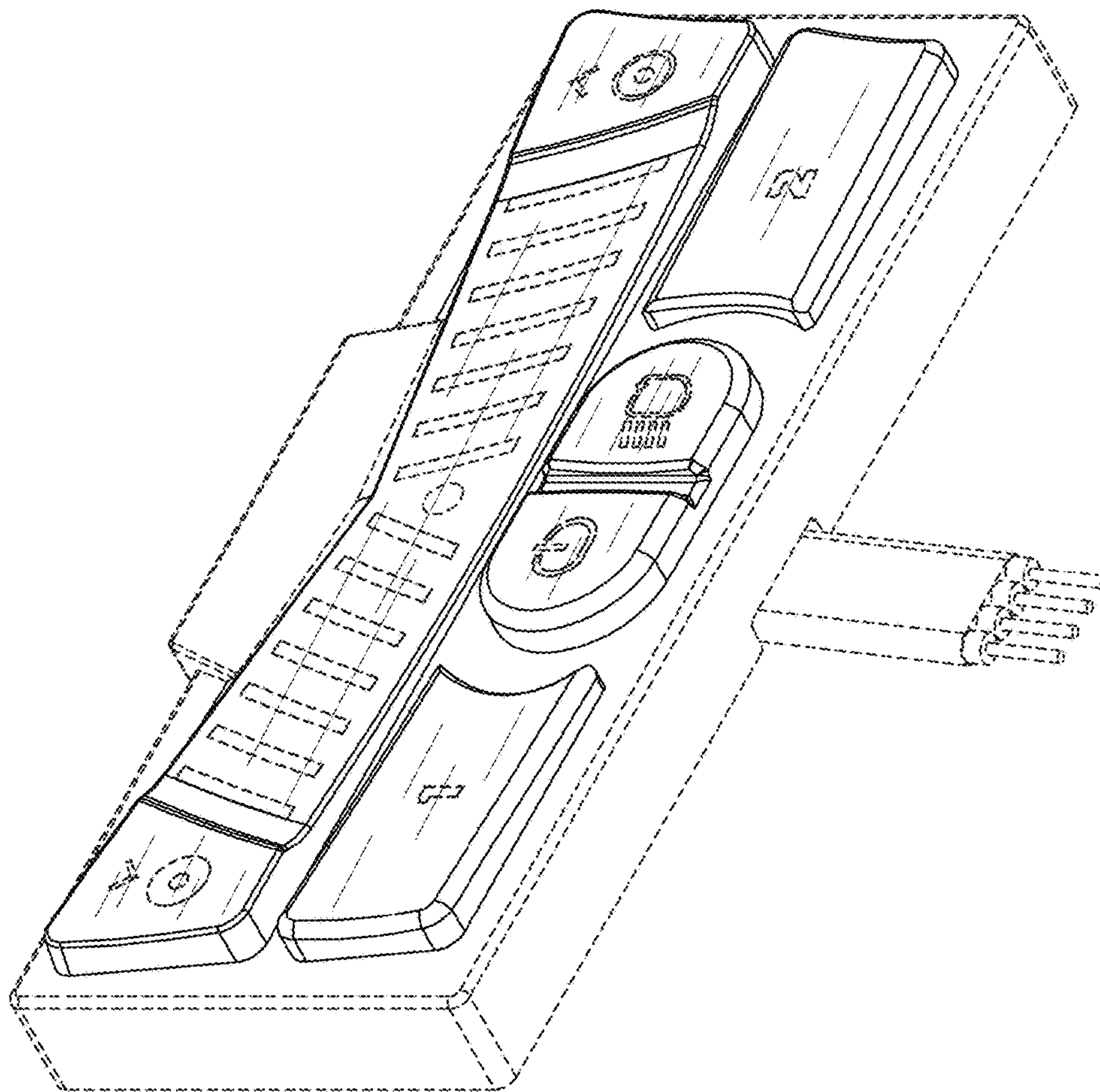


FIG. 4

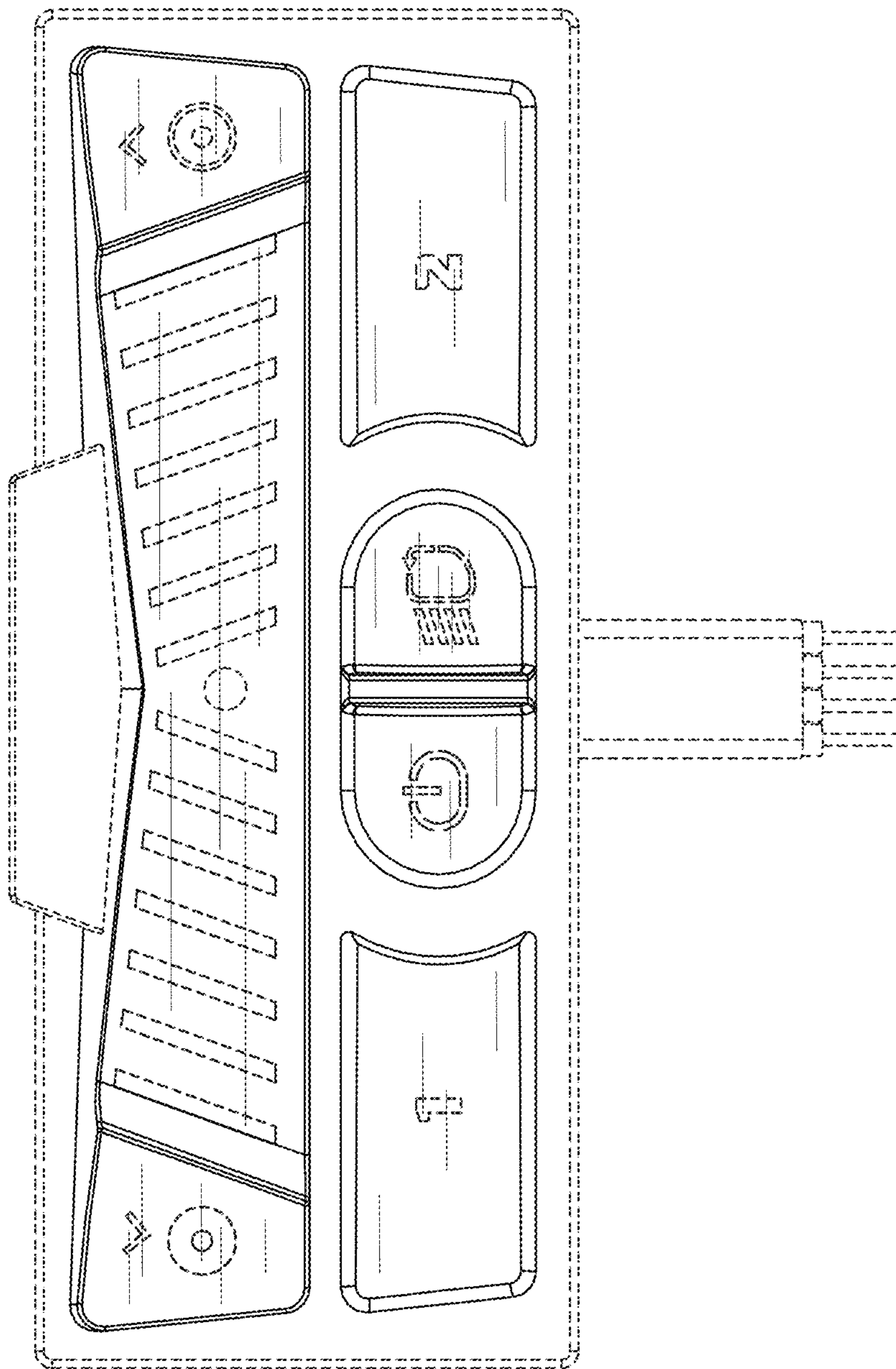


FIG. 5

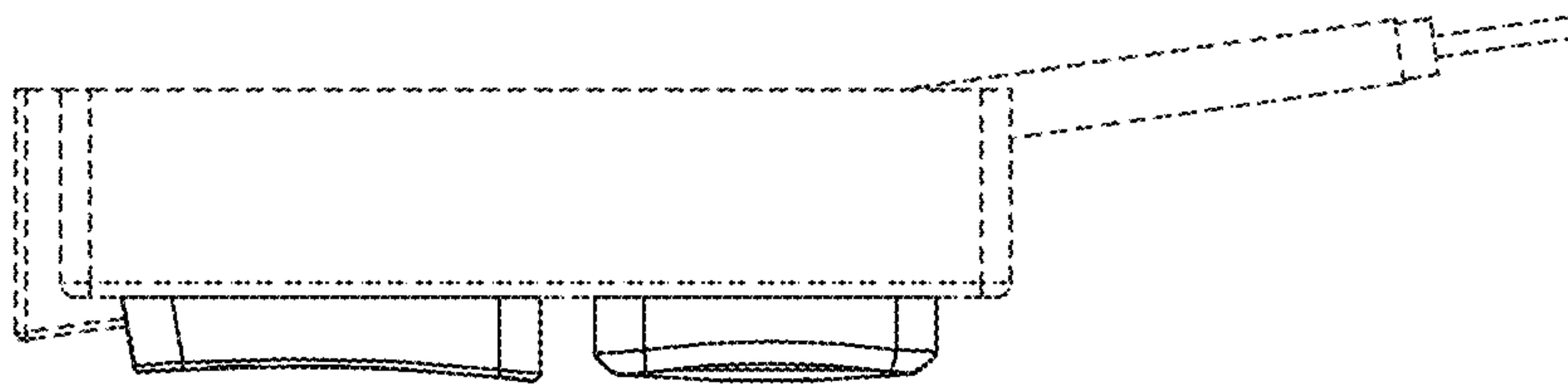


FIG. 6

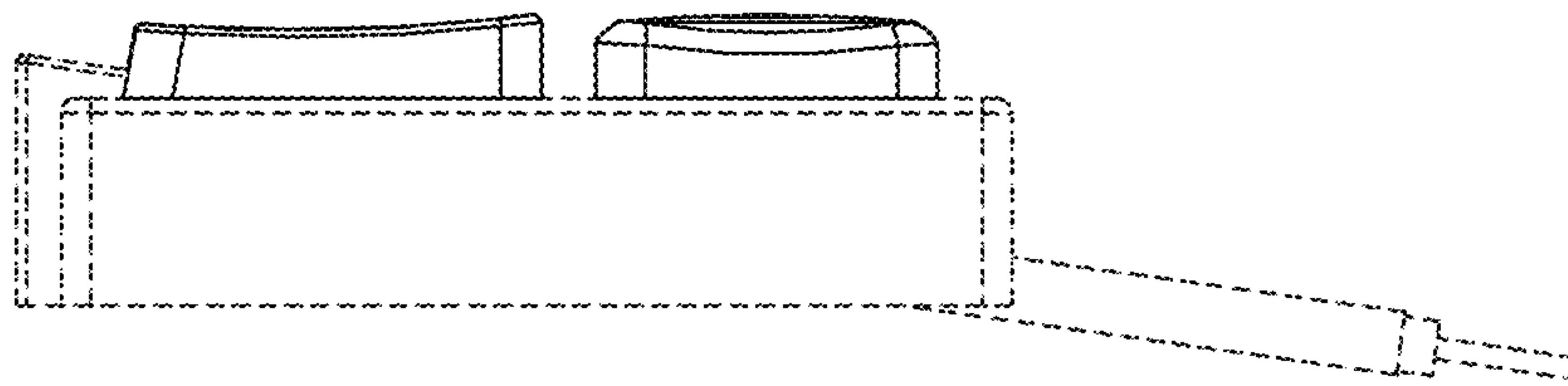


FIG. 7

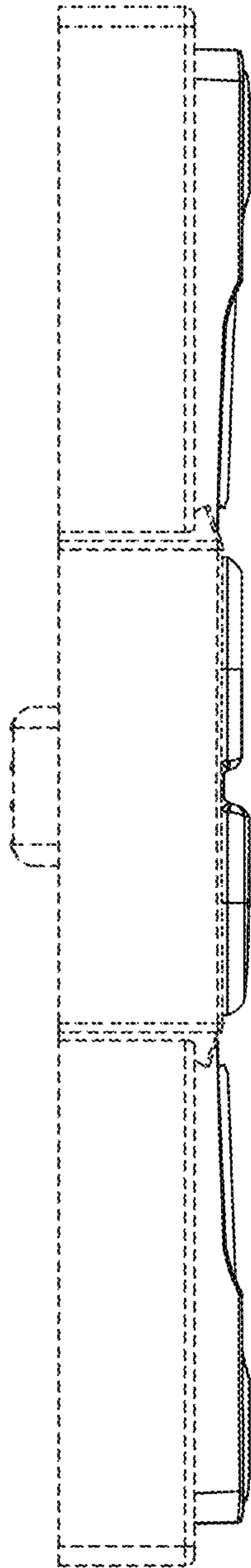


FIG. 8

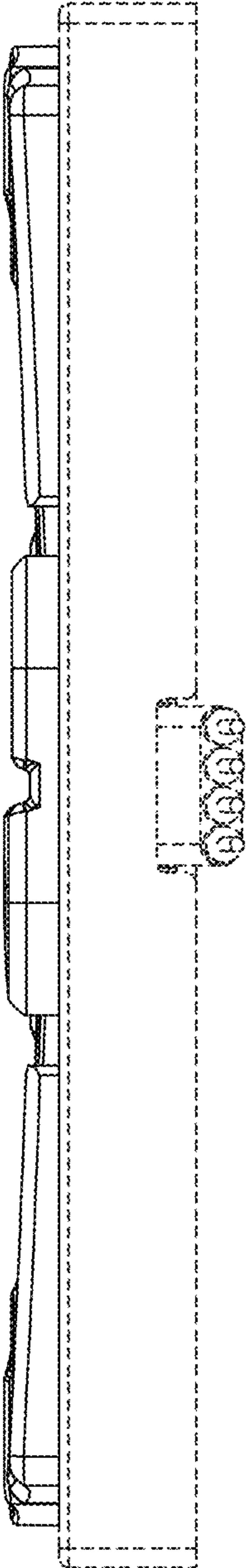


FIG. 9

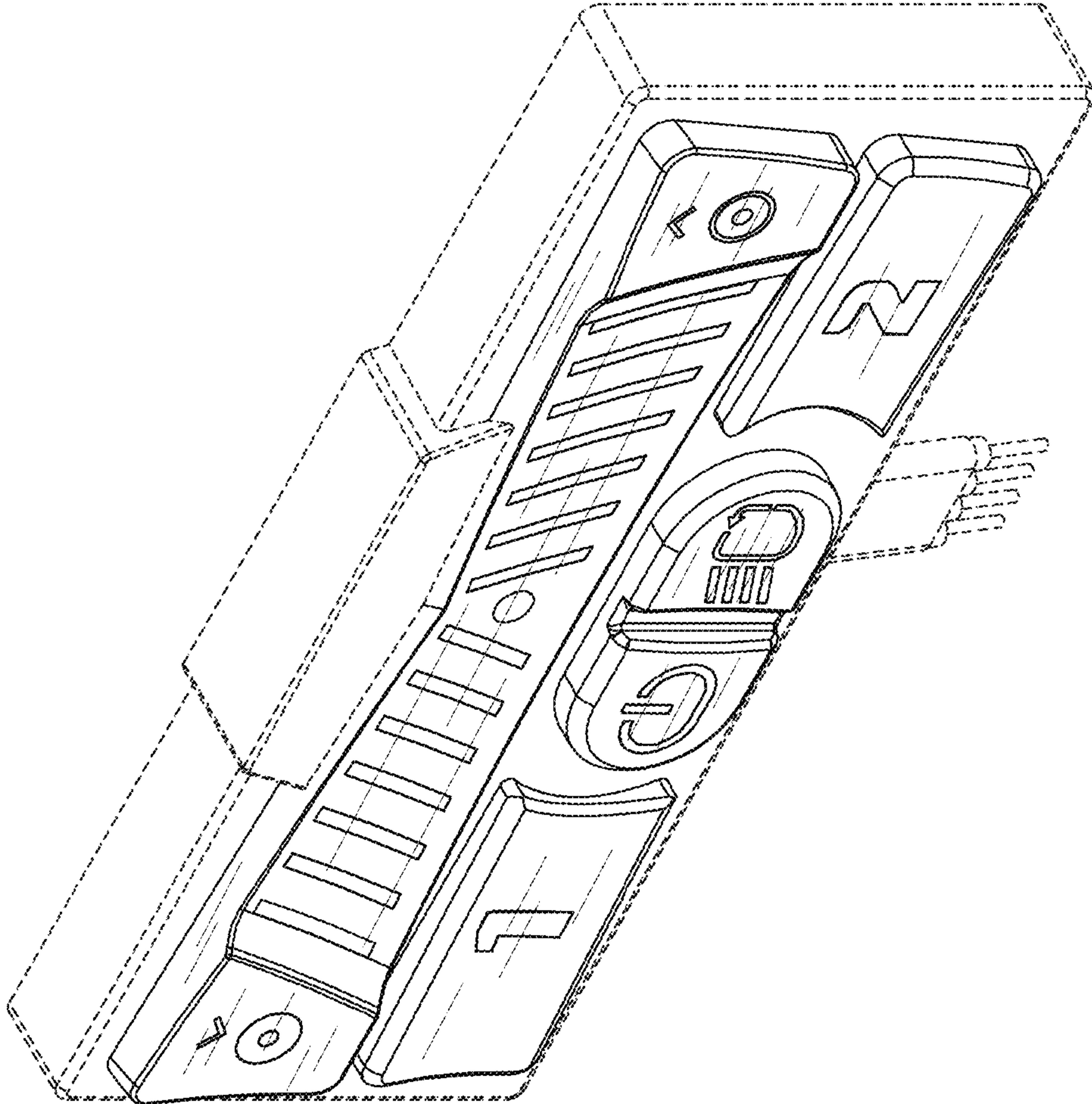


FIG. 10

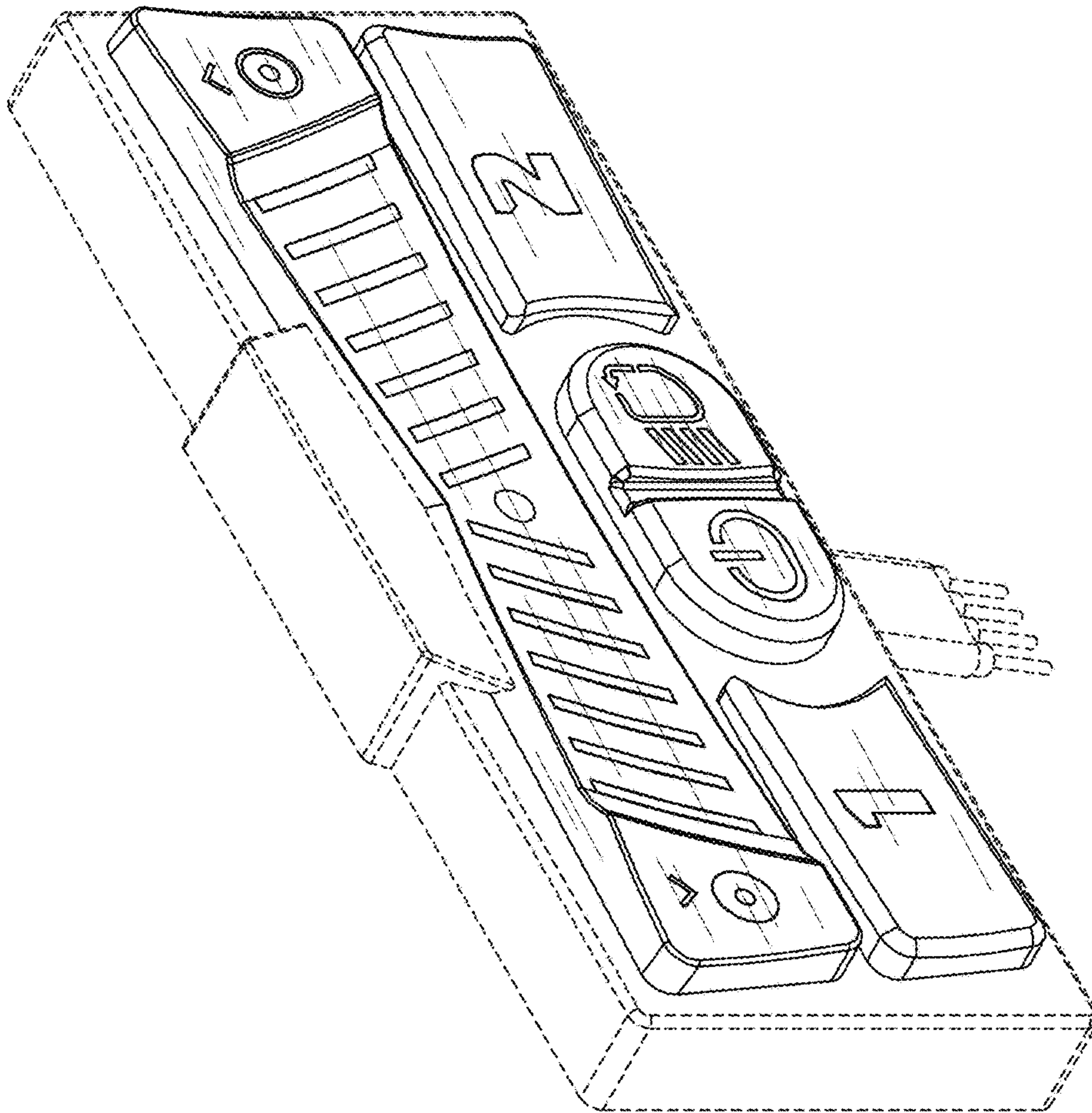


FIG. 11

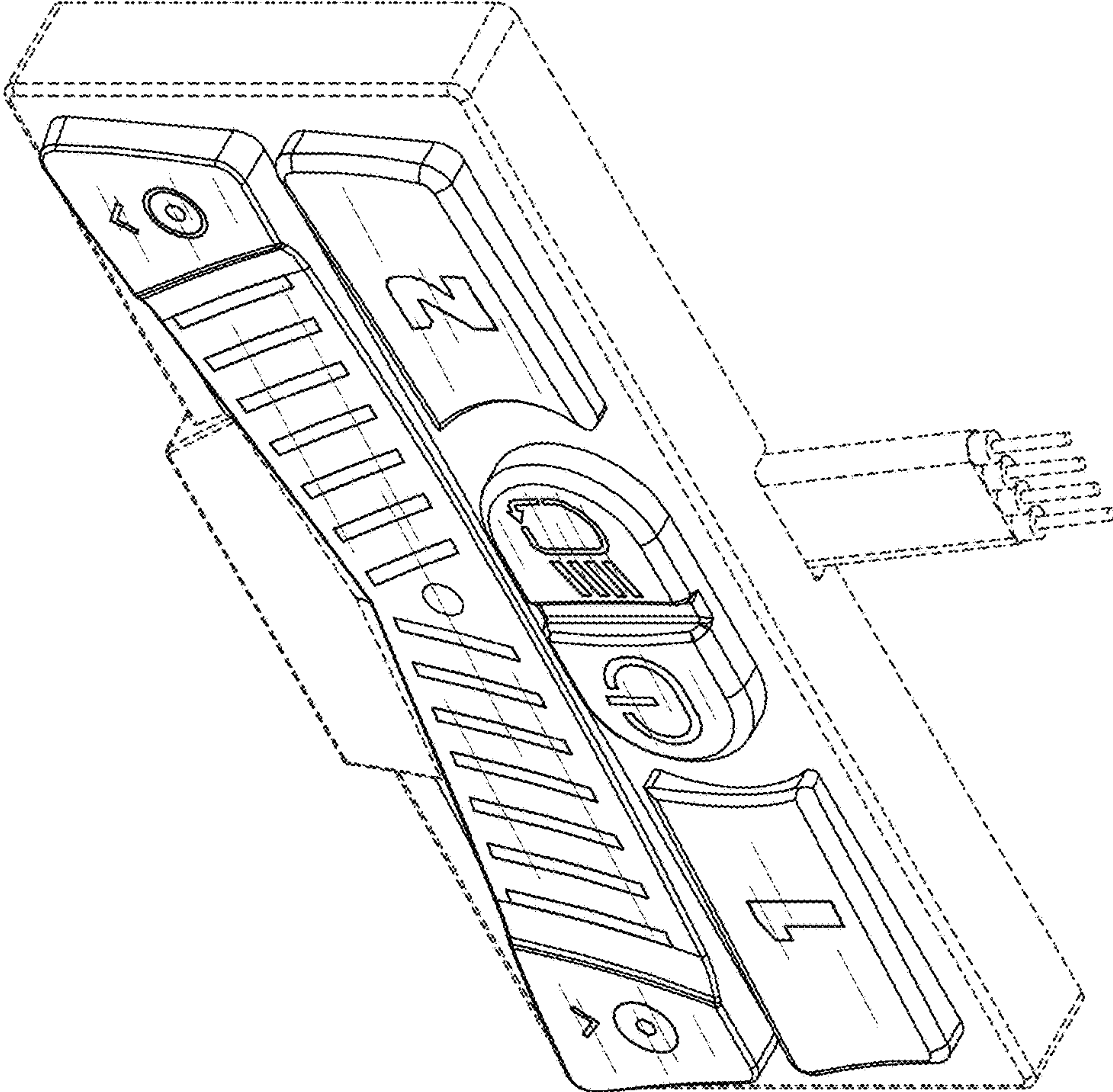


FIG. 12

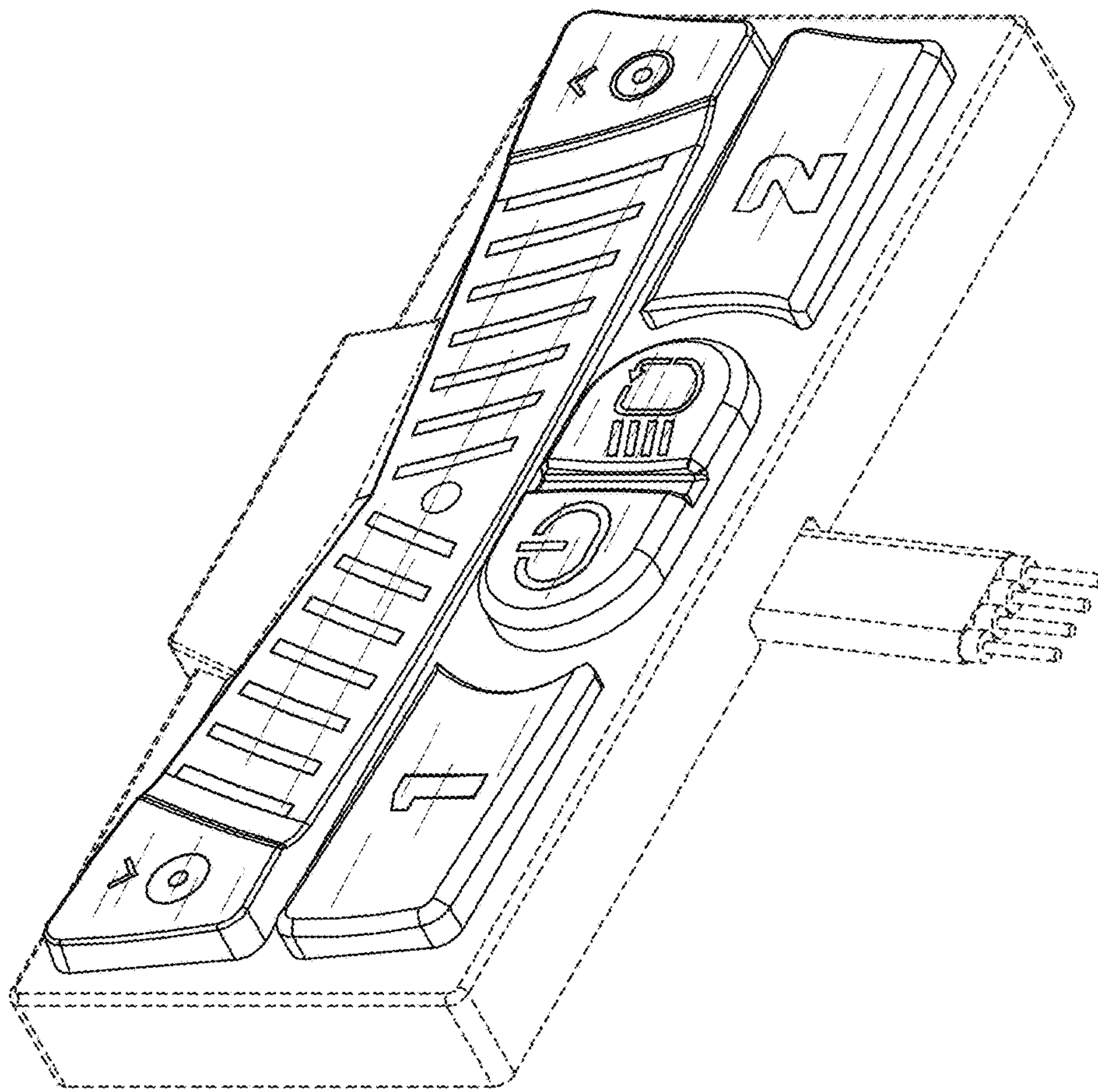


FIG. 13

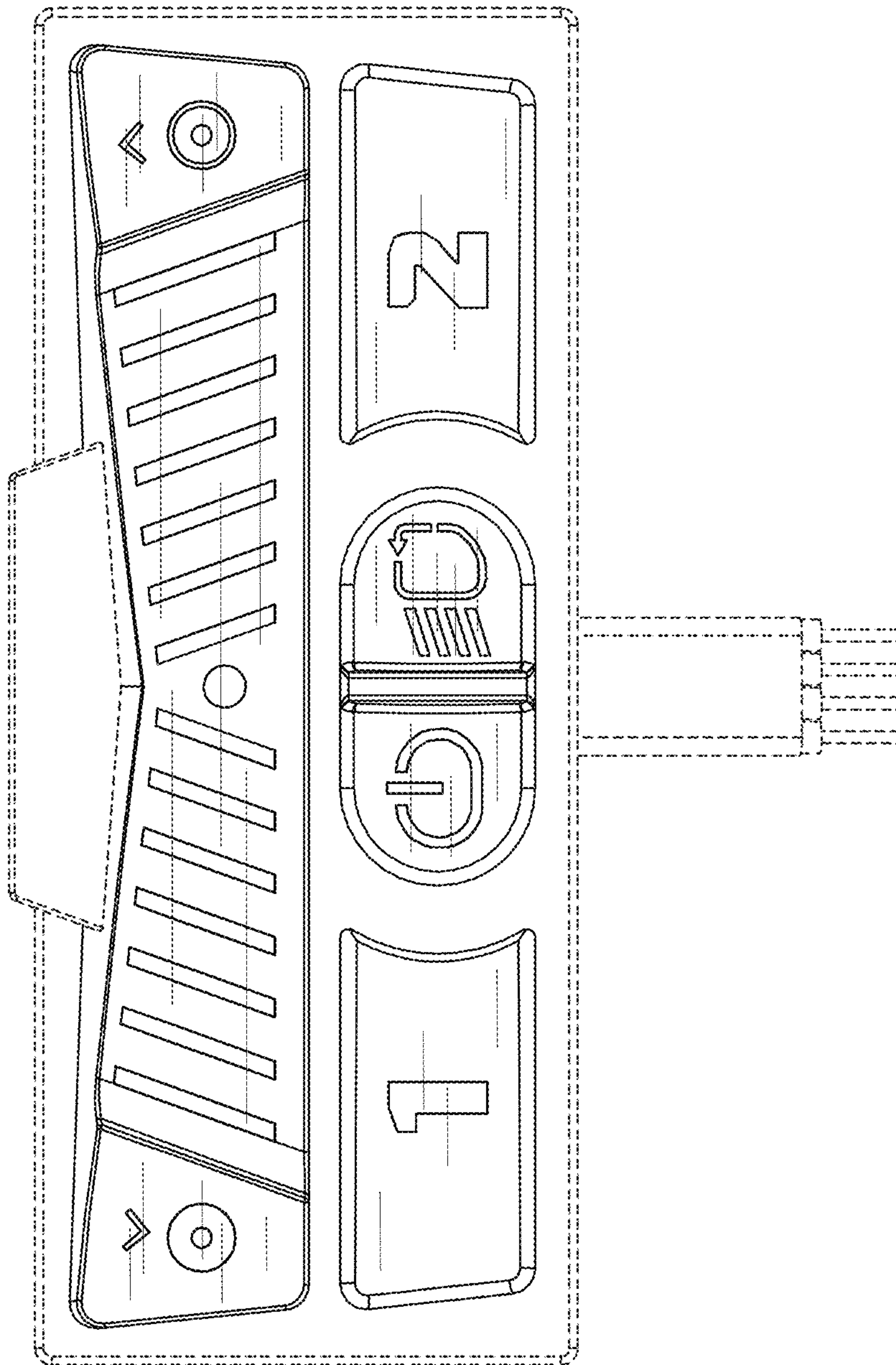


FIG. 14

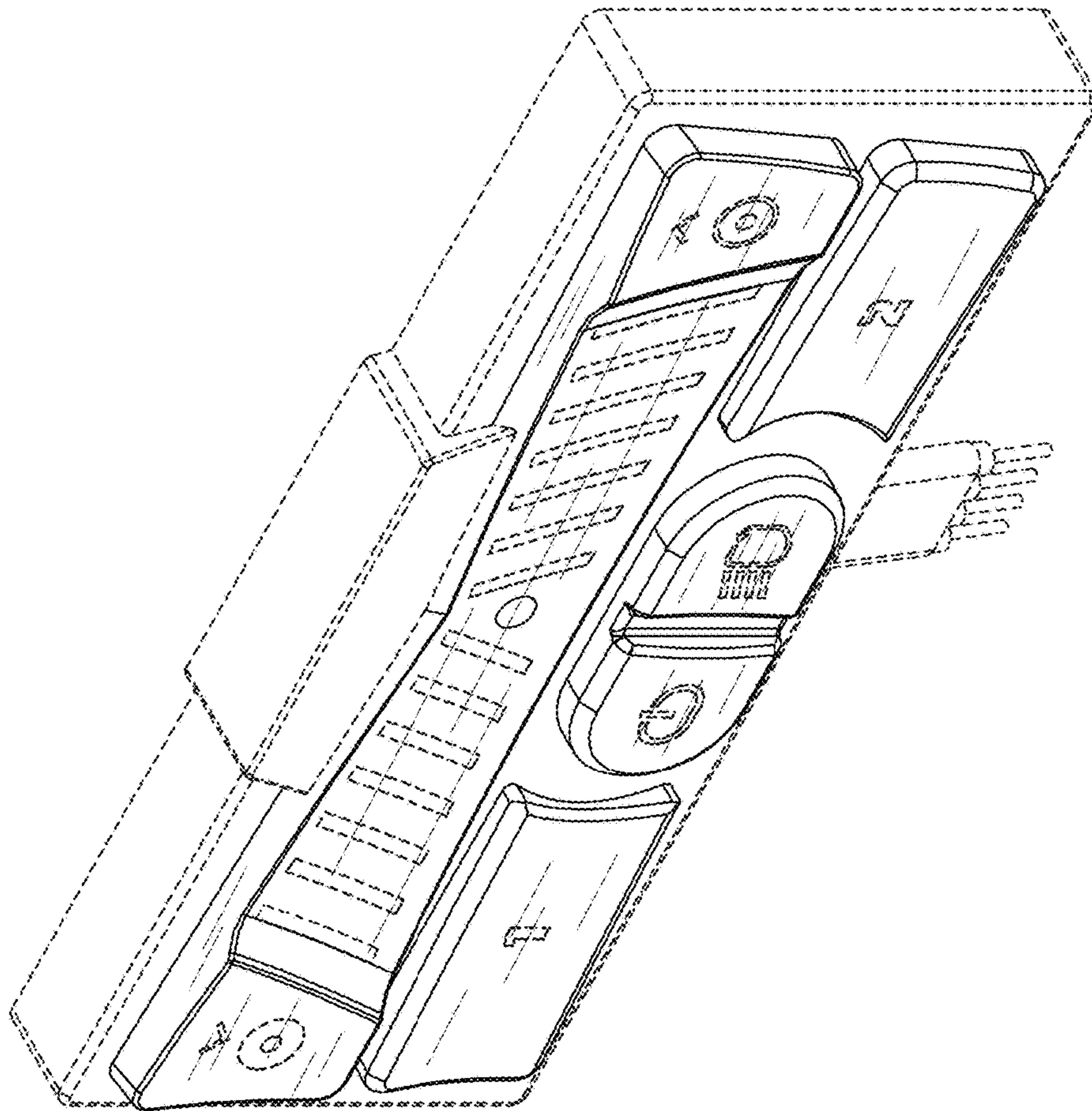


FIG. 15

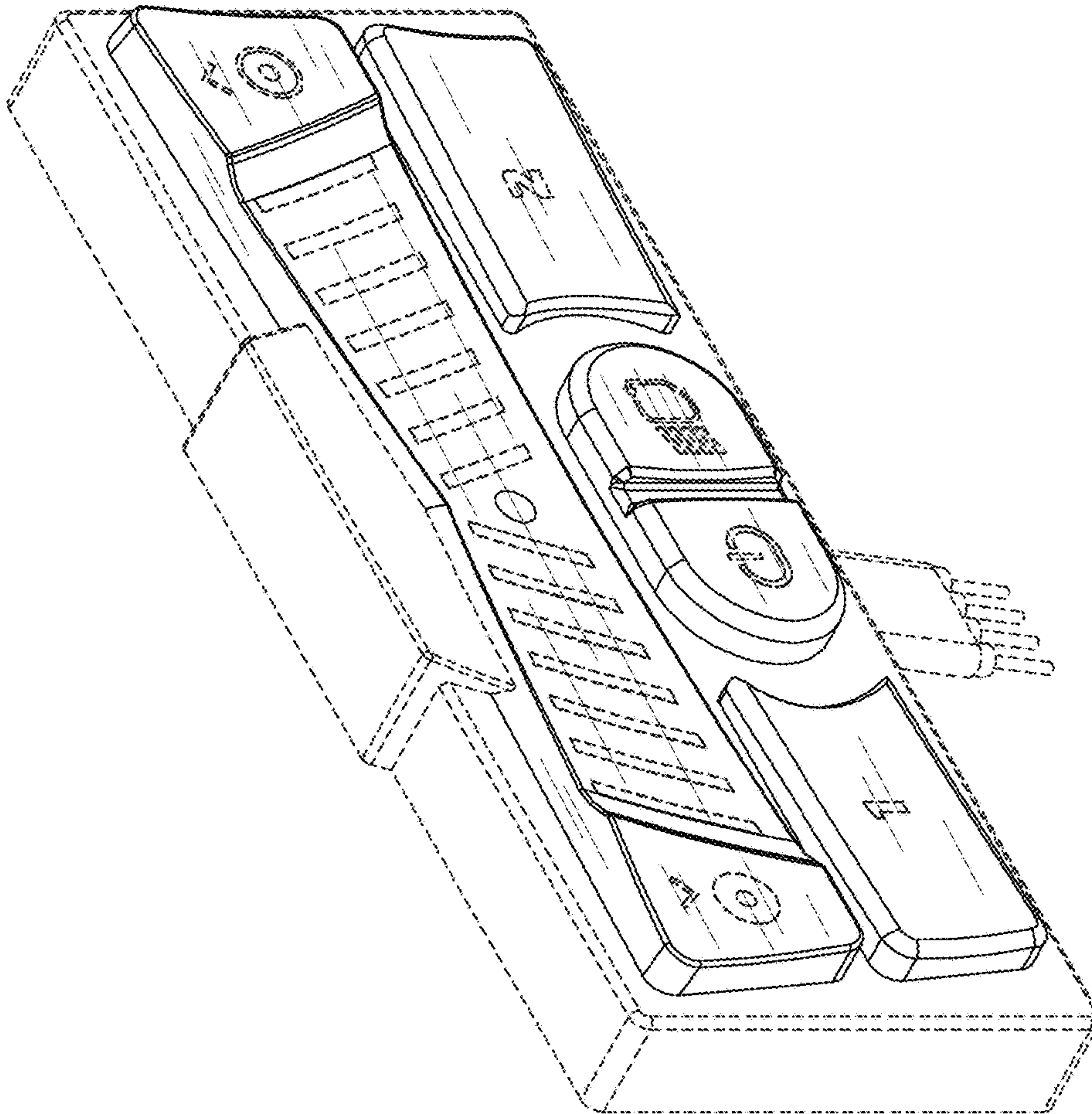


FIG. 16

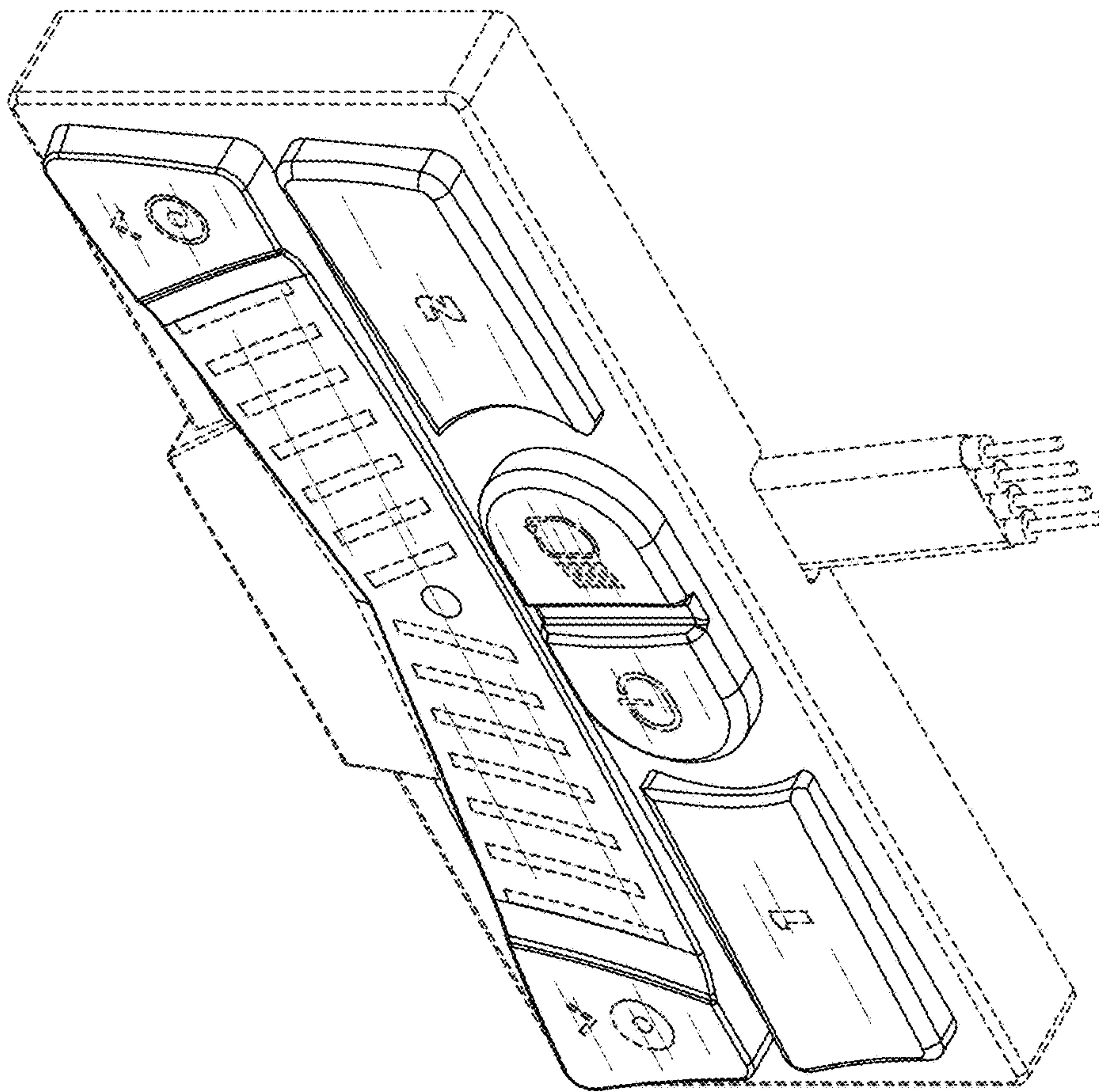


FIG. 17

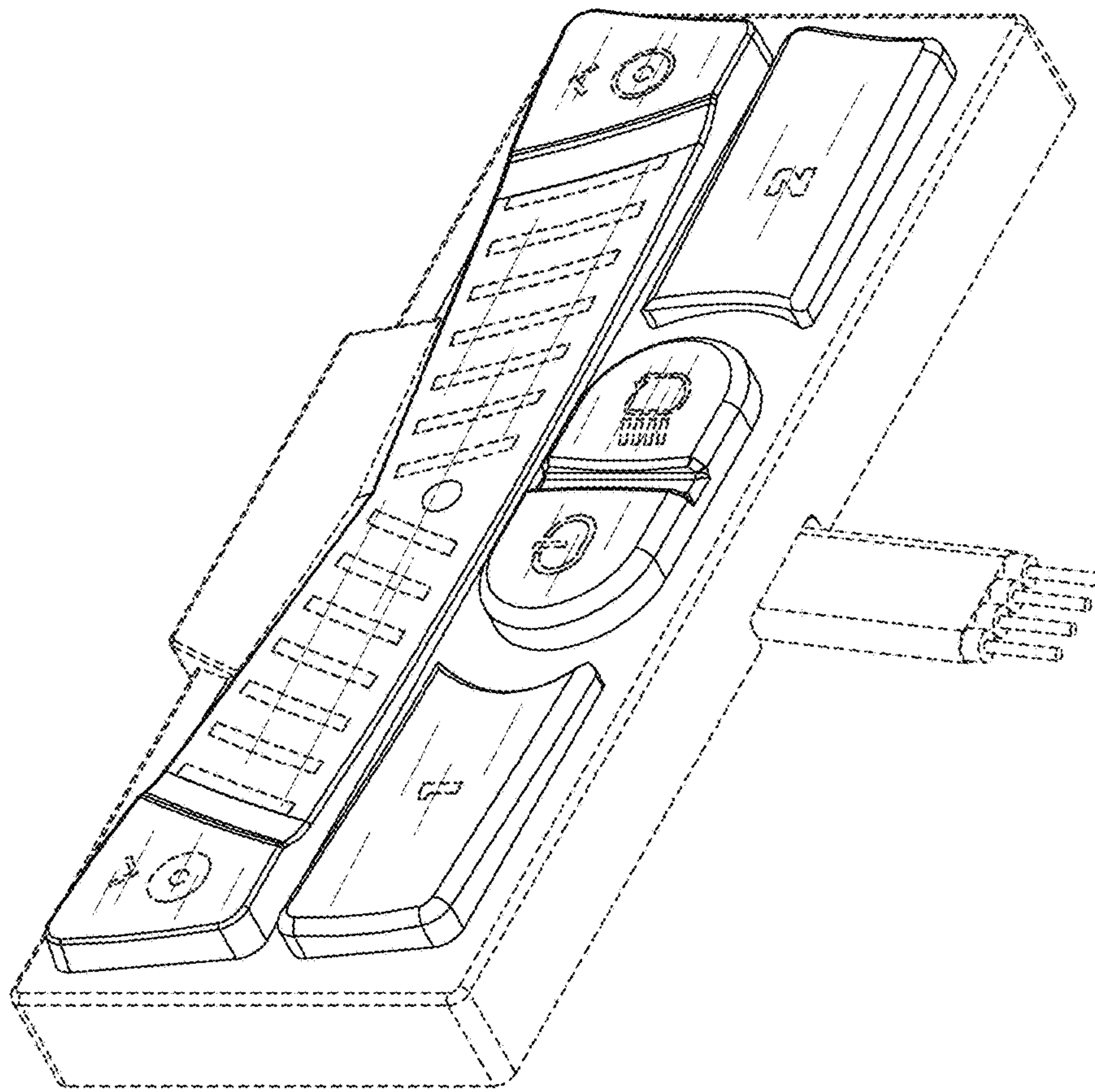


FIG. 18

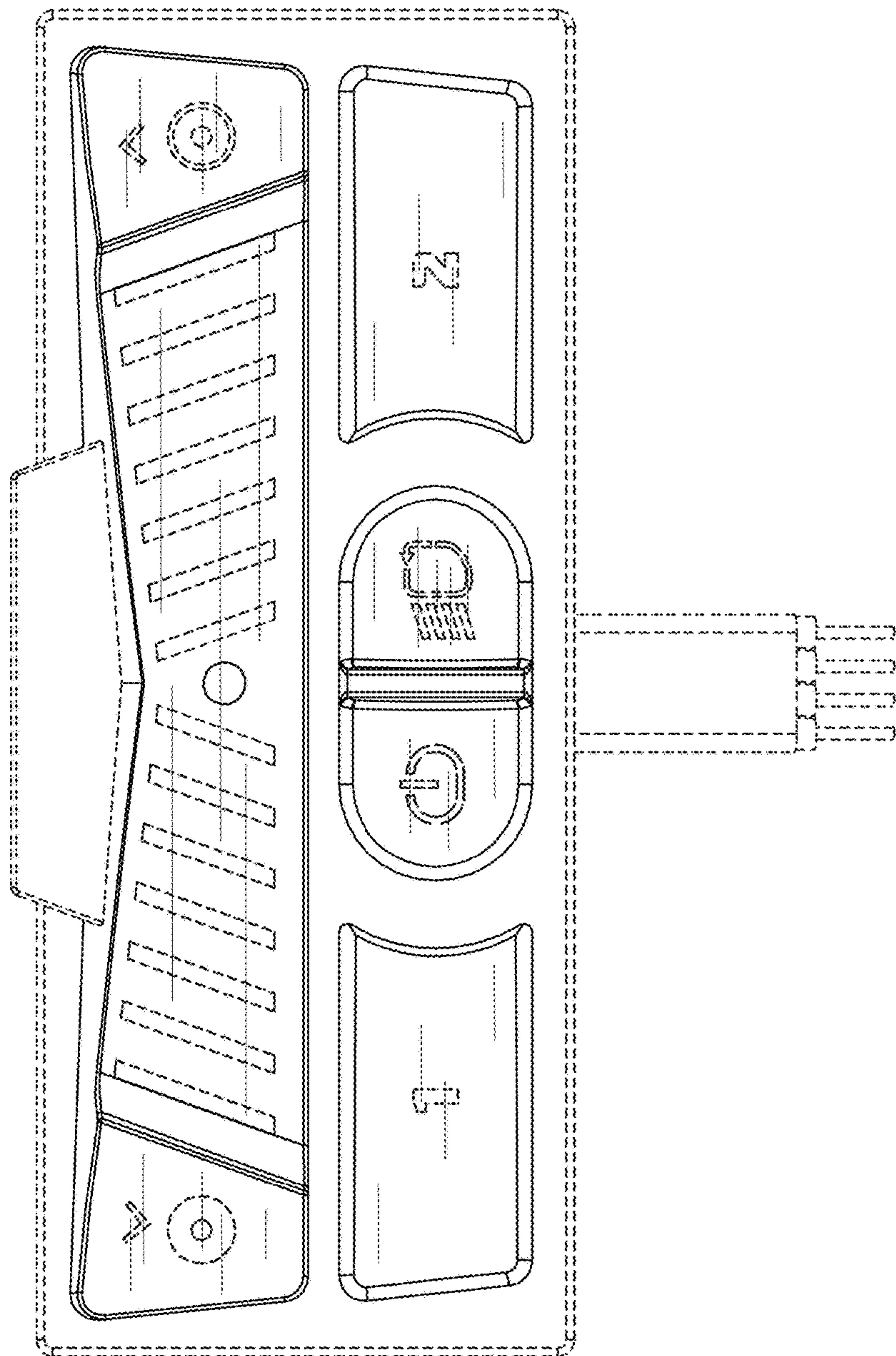


FIG. 19

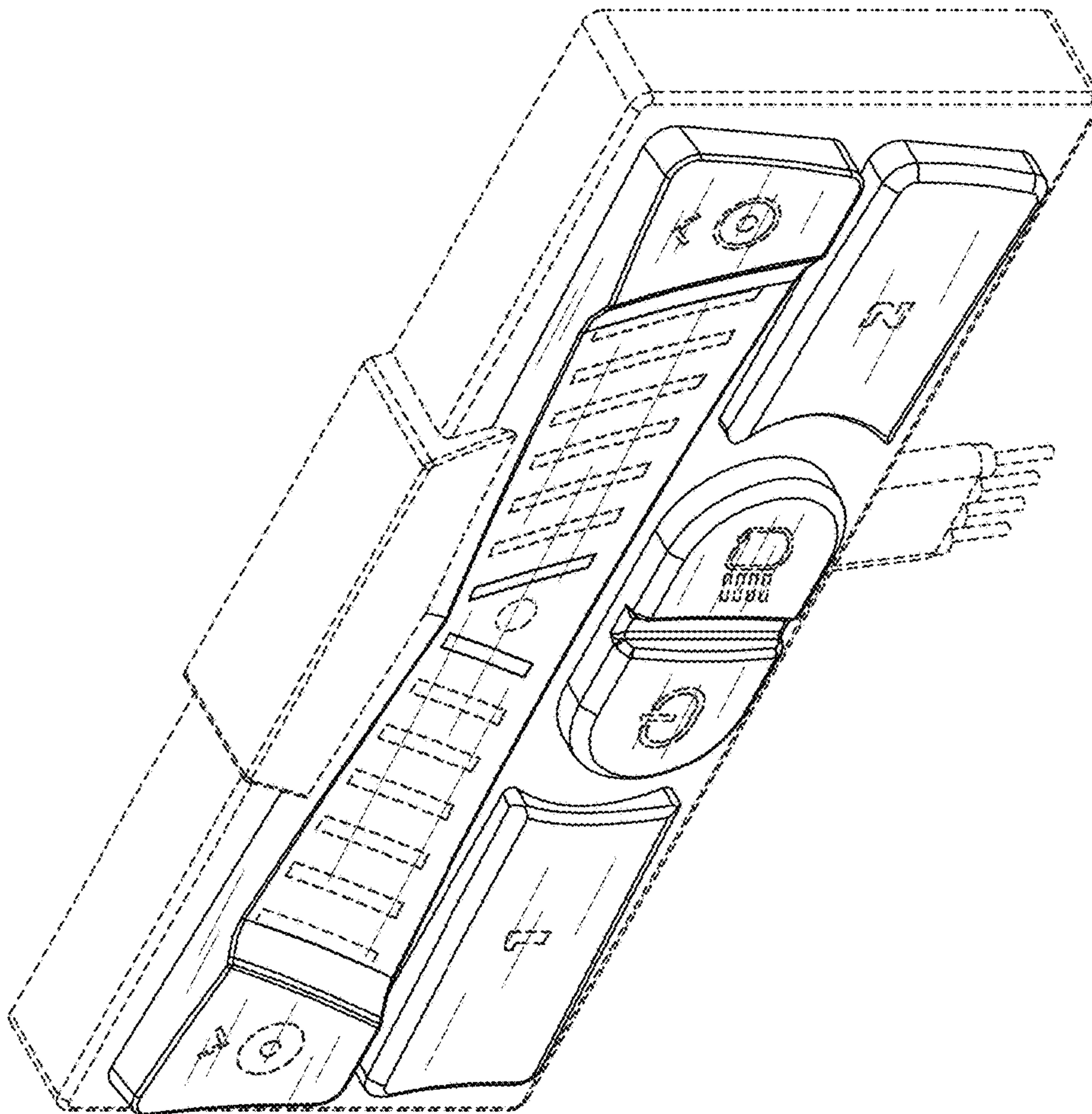


FIG. 20

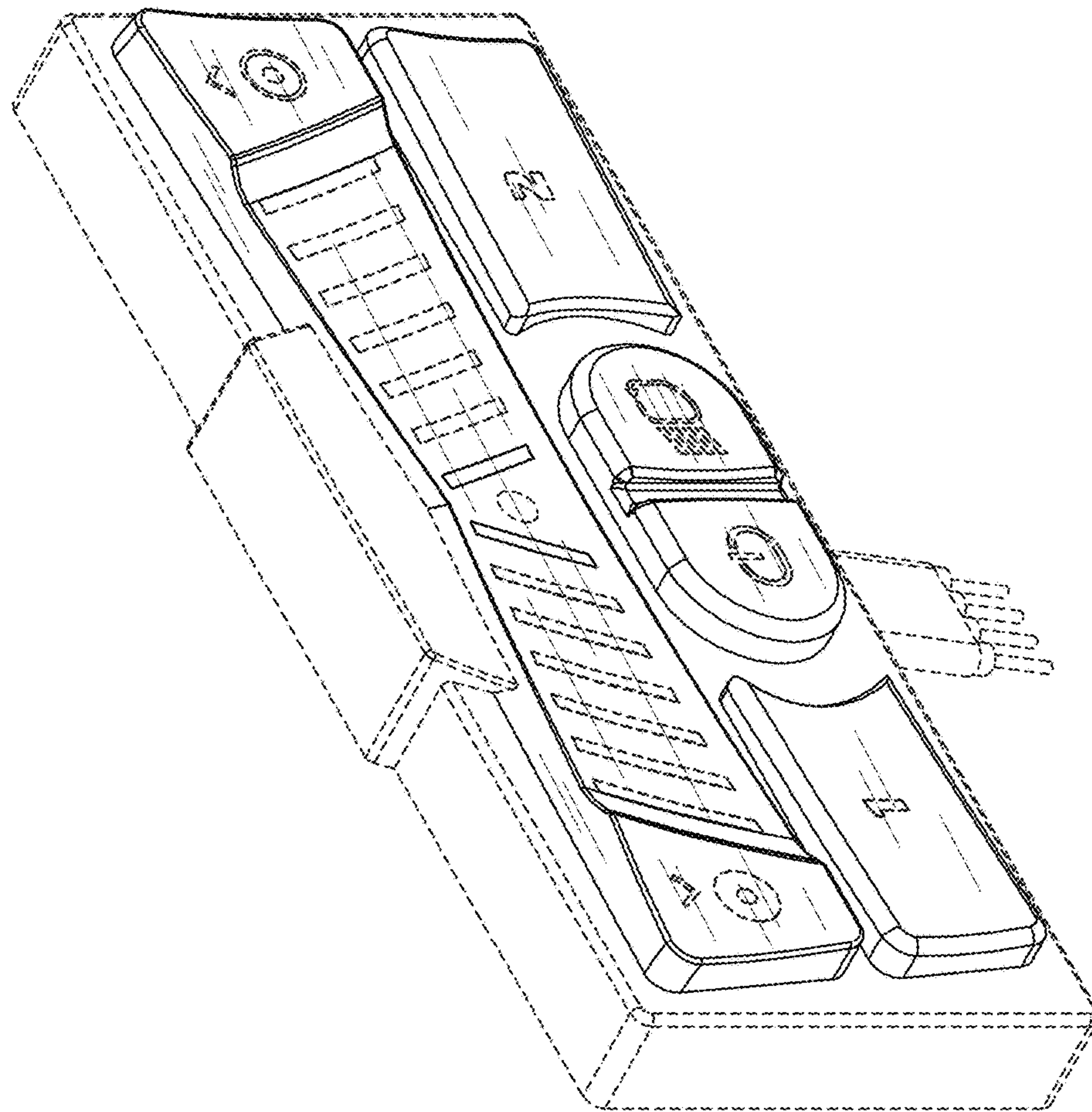


FIG. 21

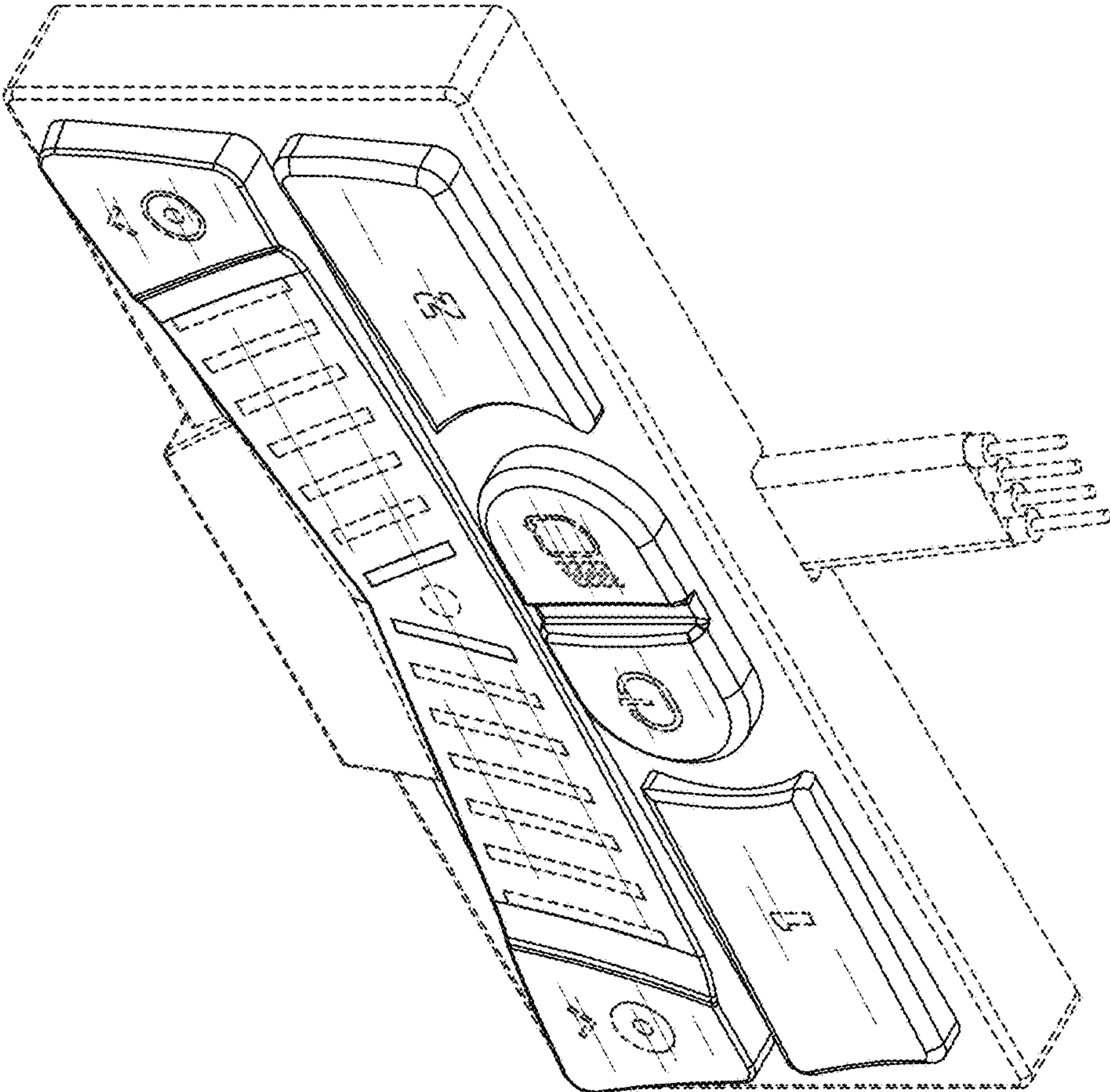


FIG. 22

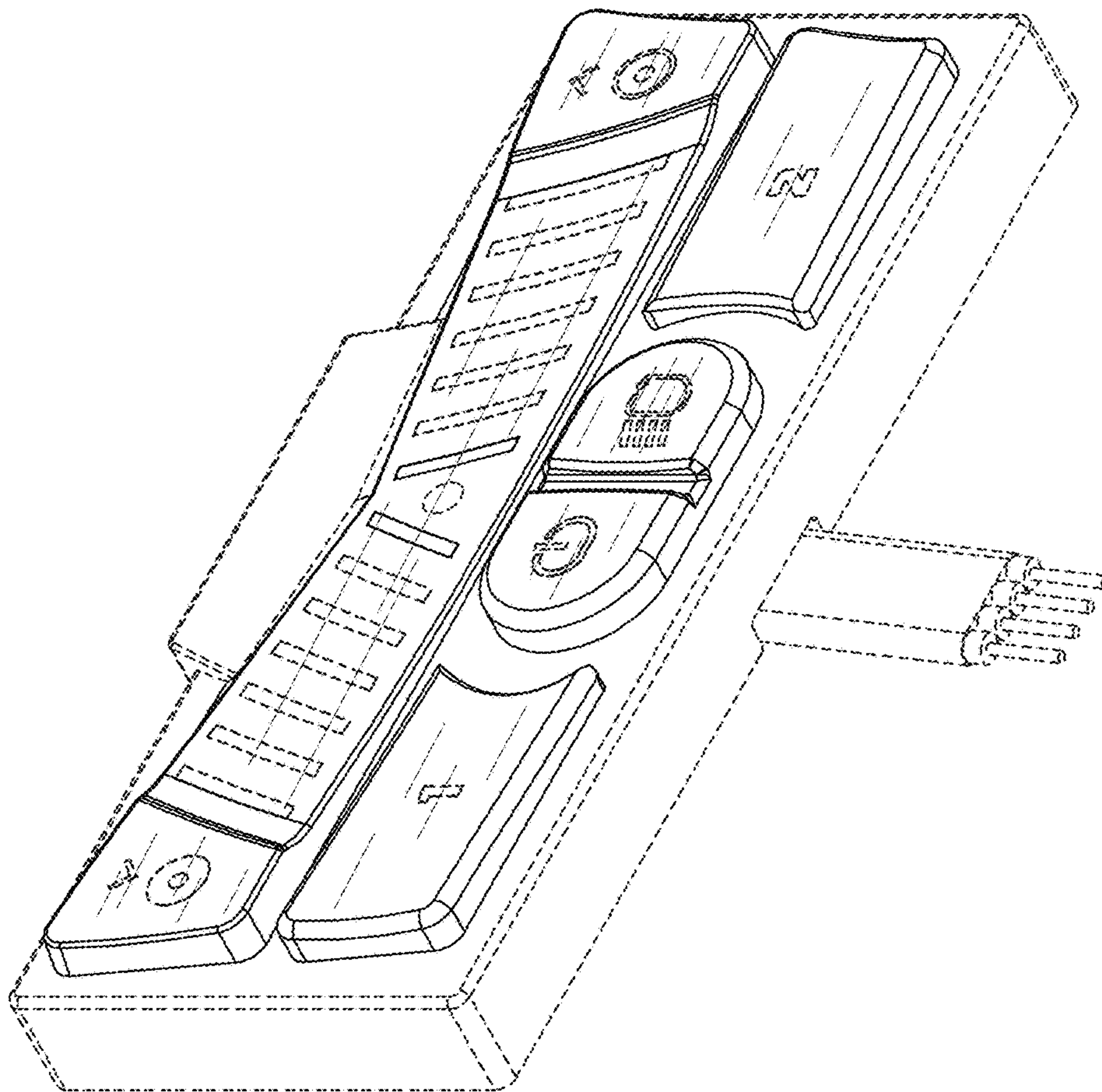


FIG. 23

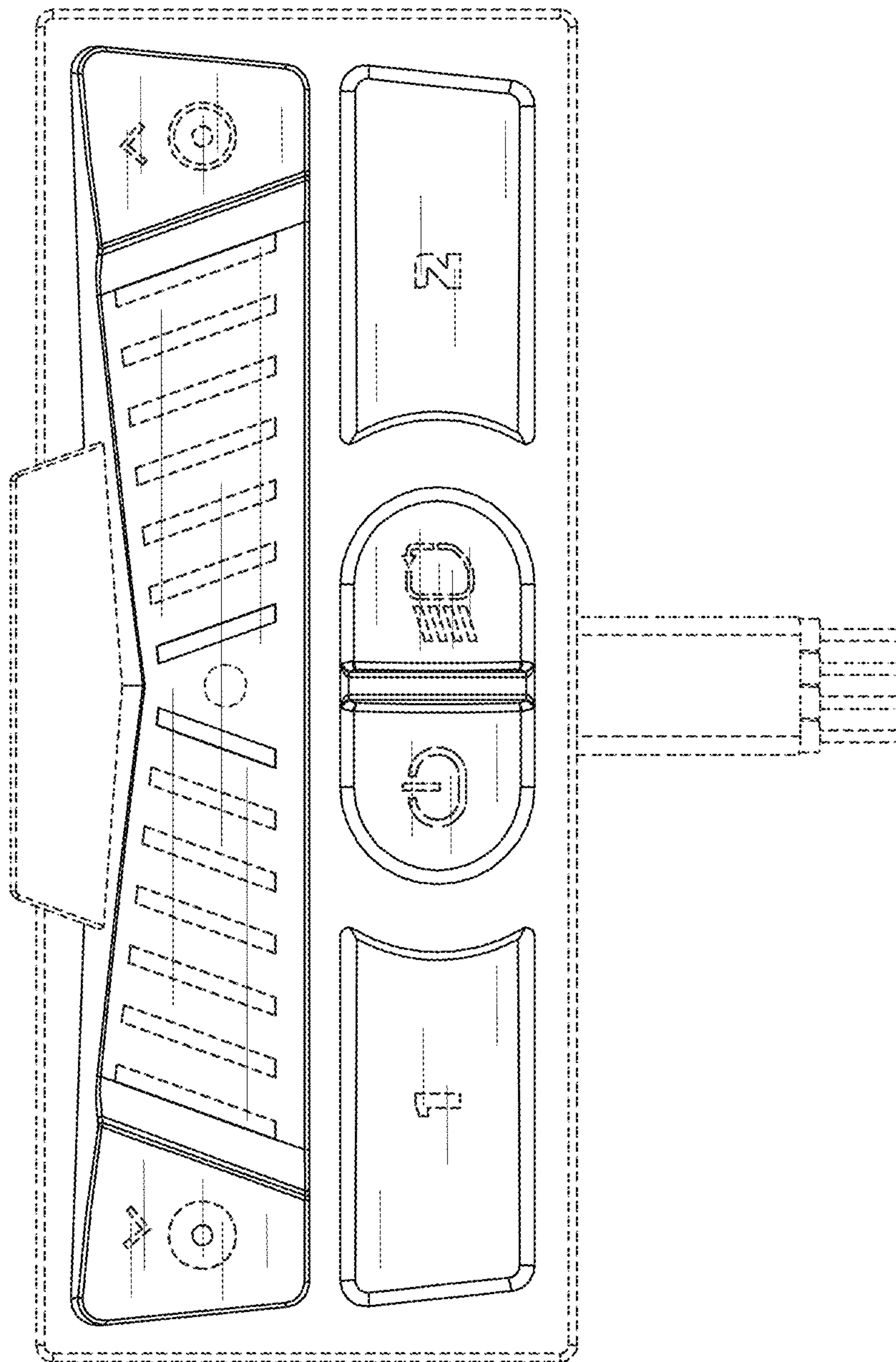


FIG. 24

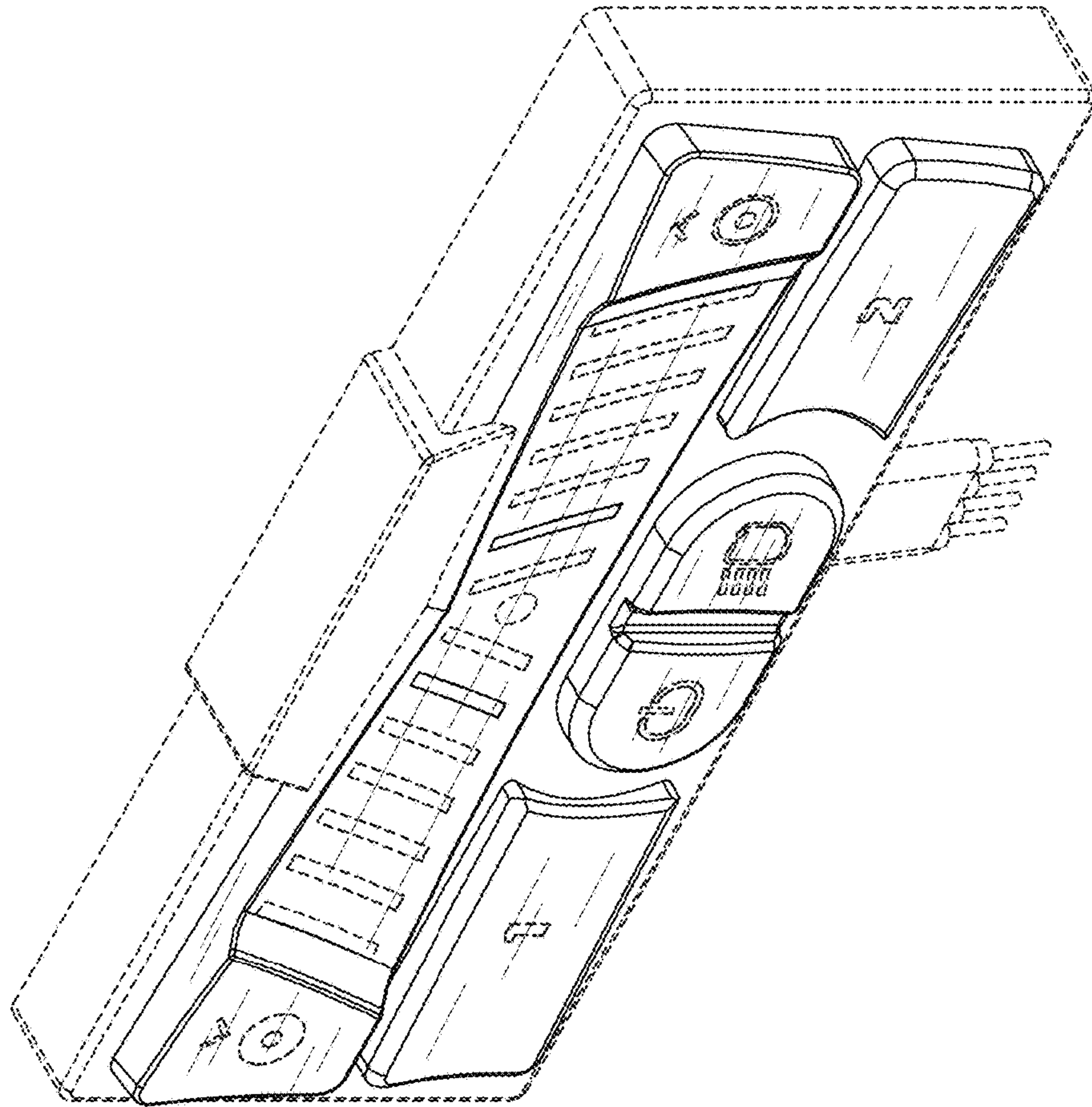


FIG. 25

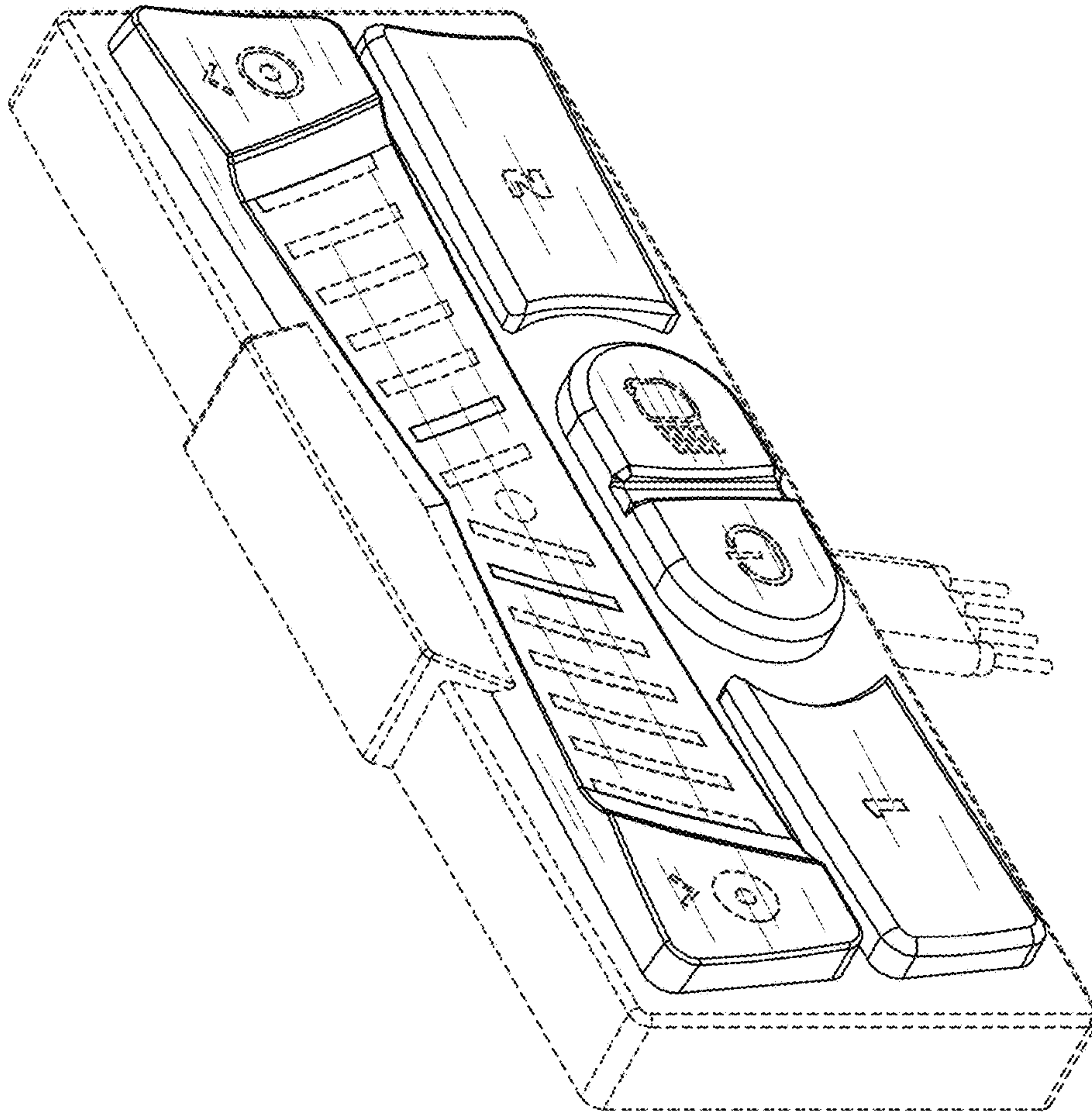


FIG. 26

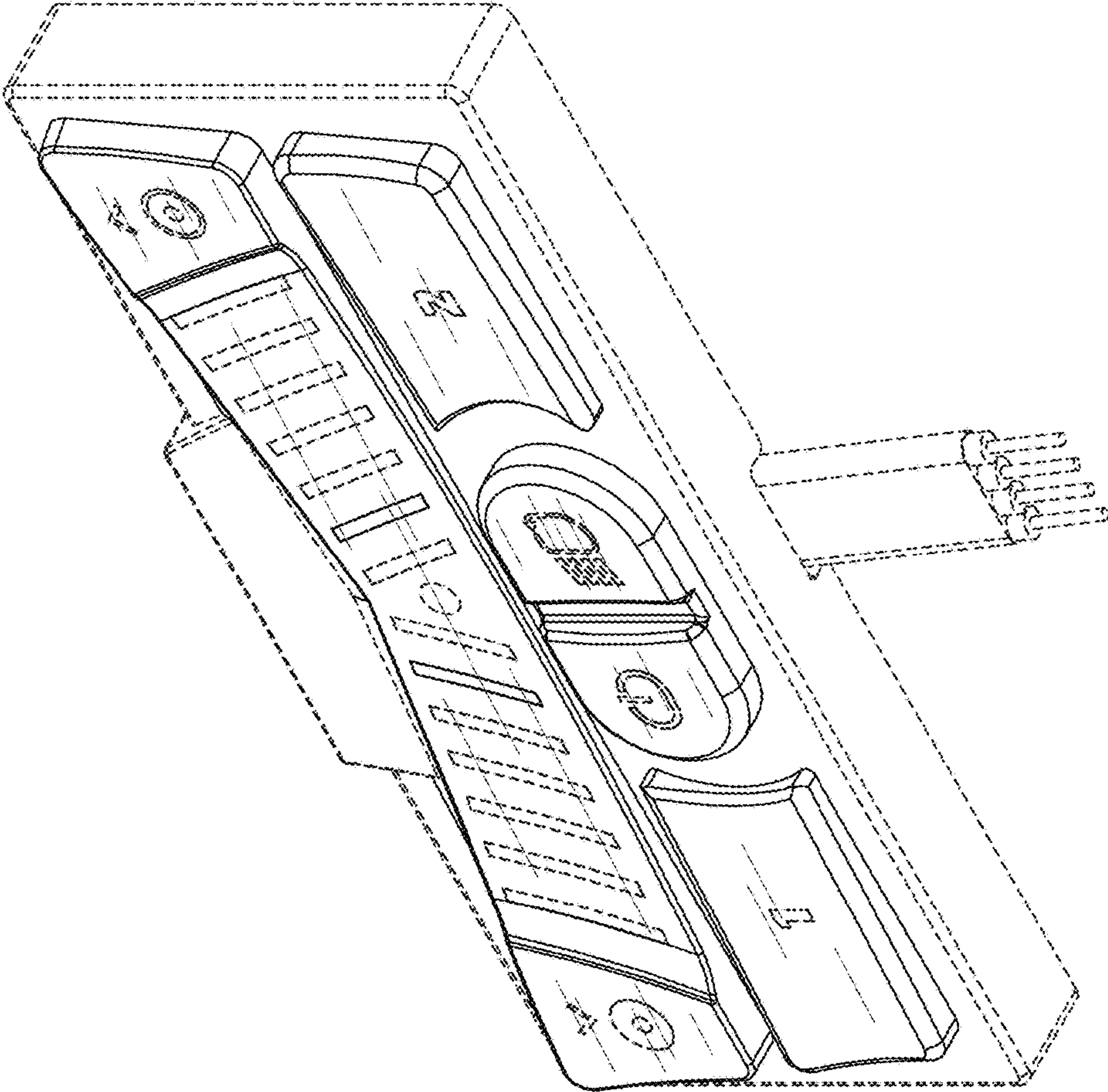


FIG. 27

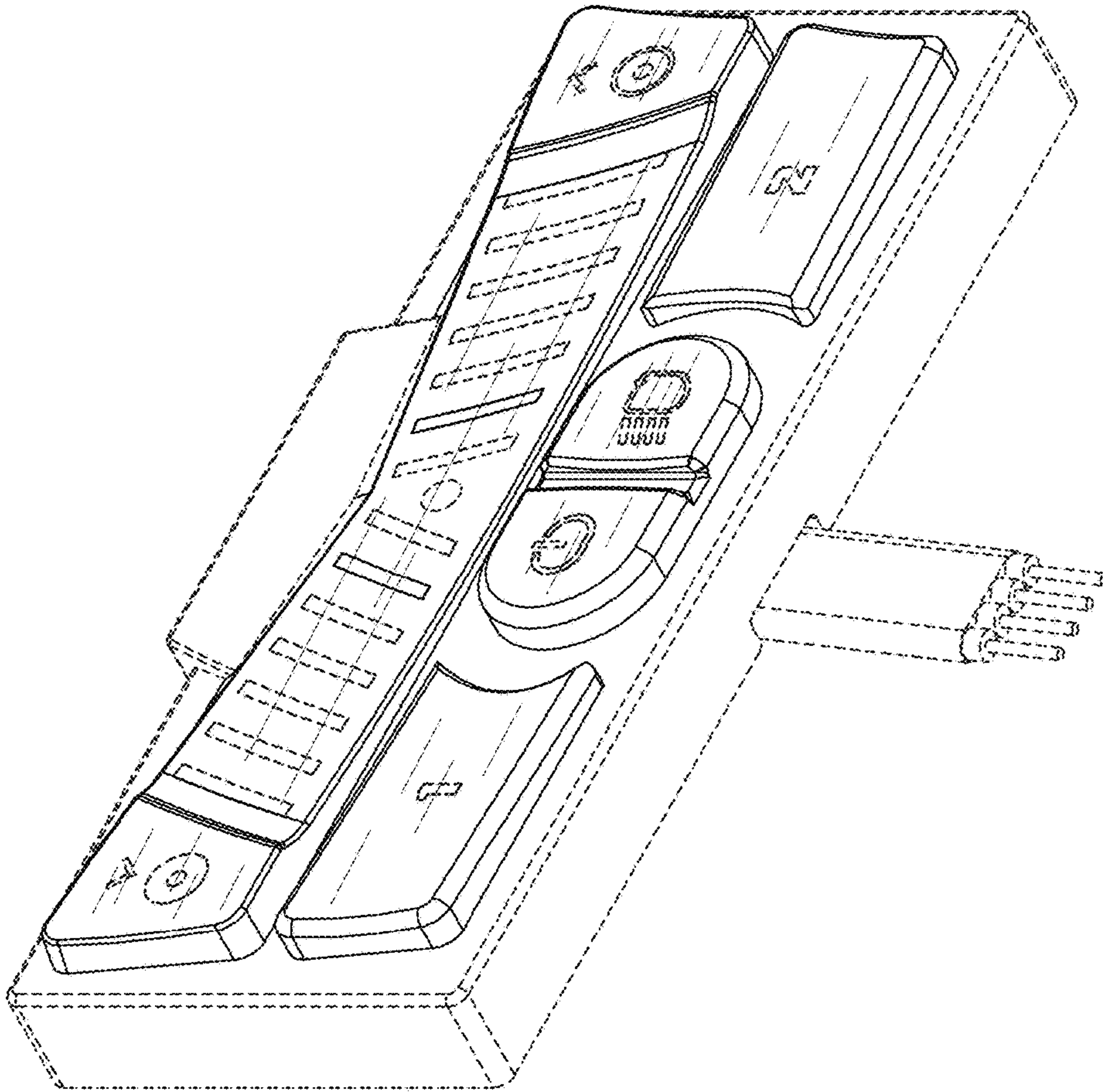


FIG. 28

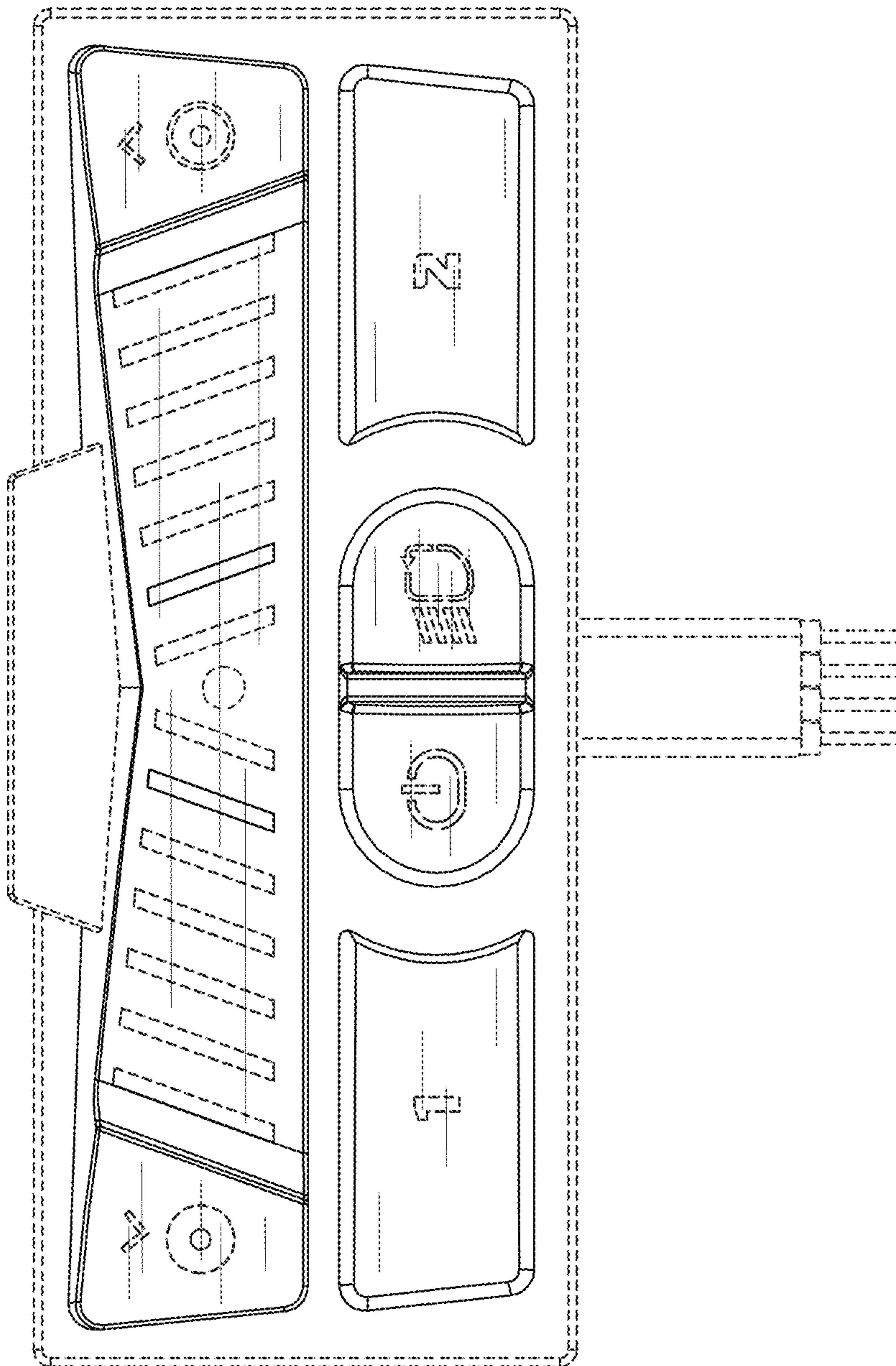


FIG. 29

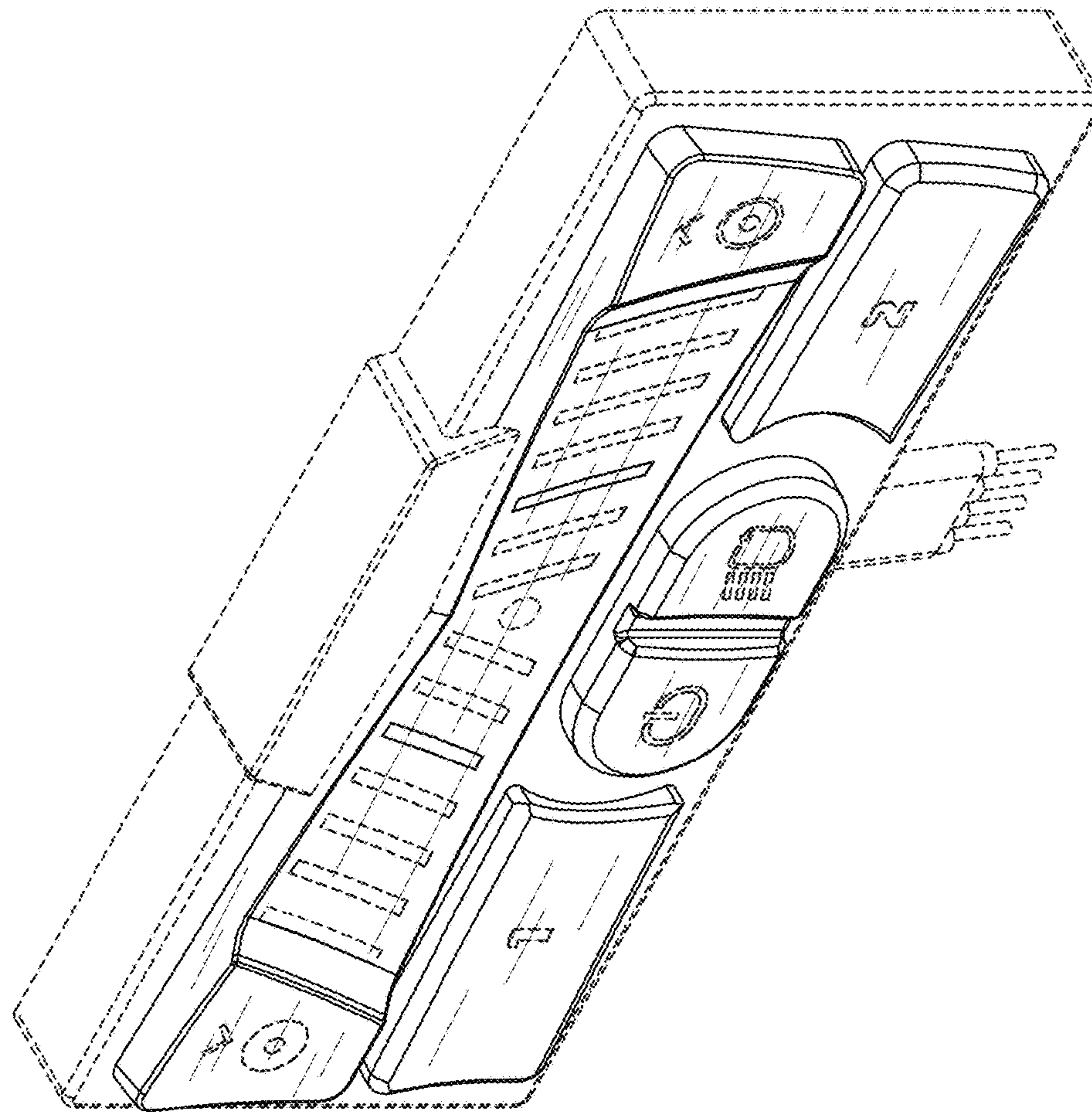


FIG. 30

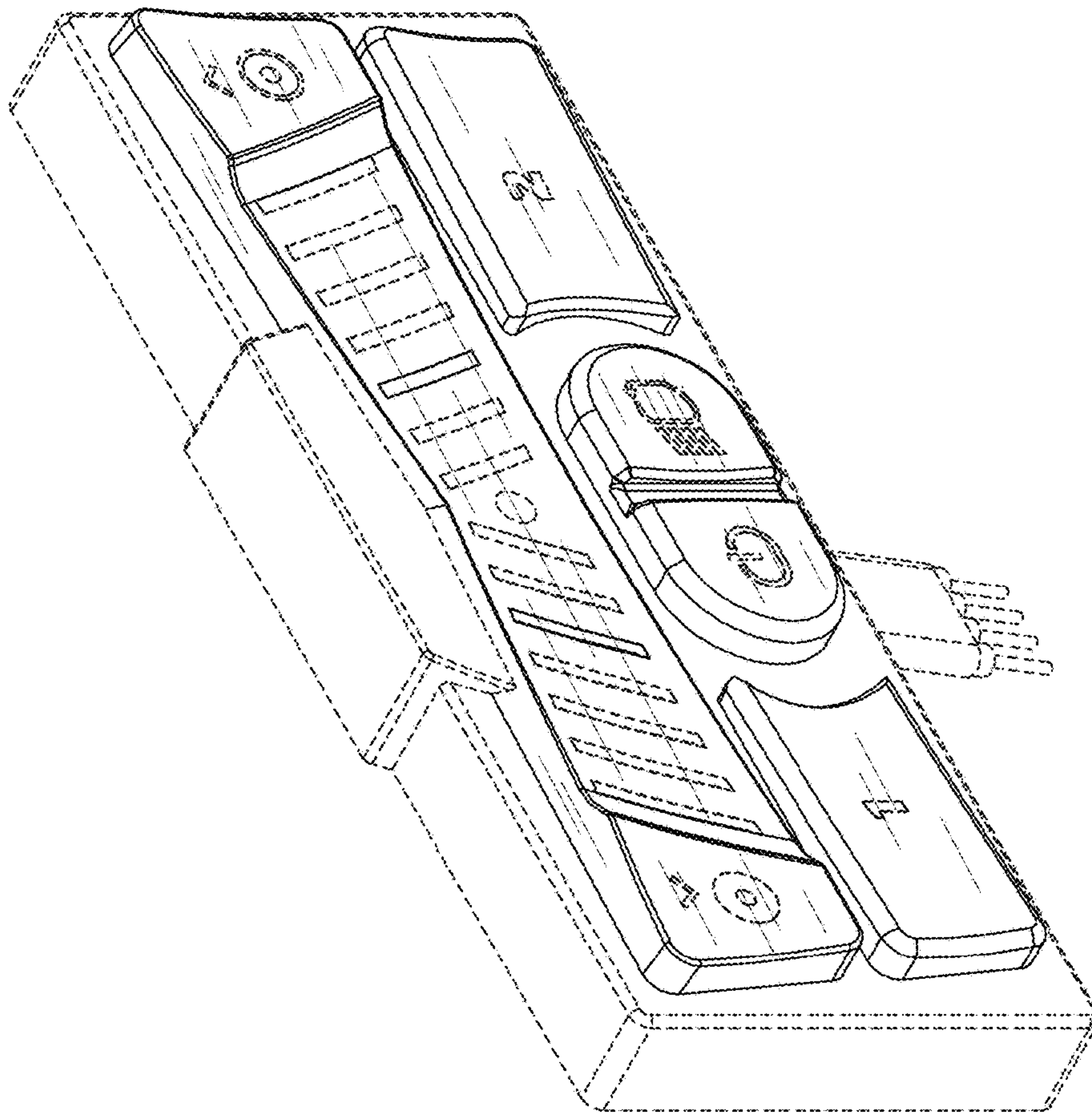


FIG. 31

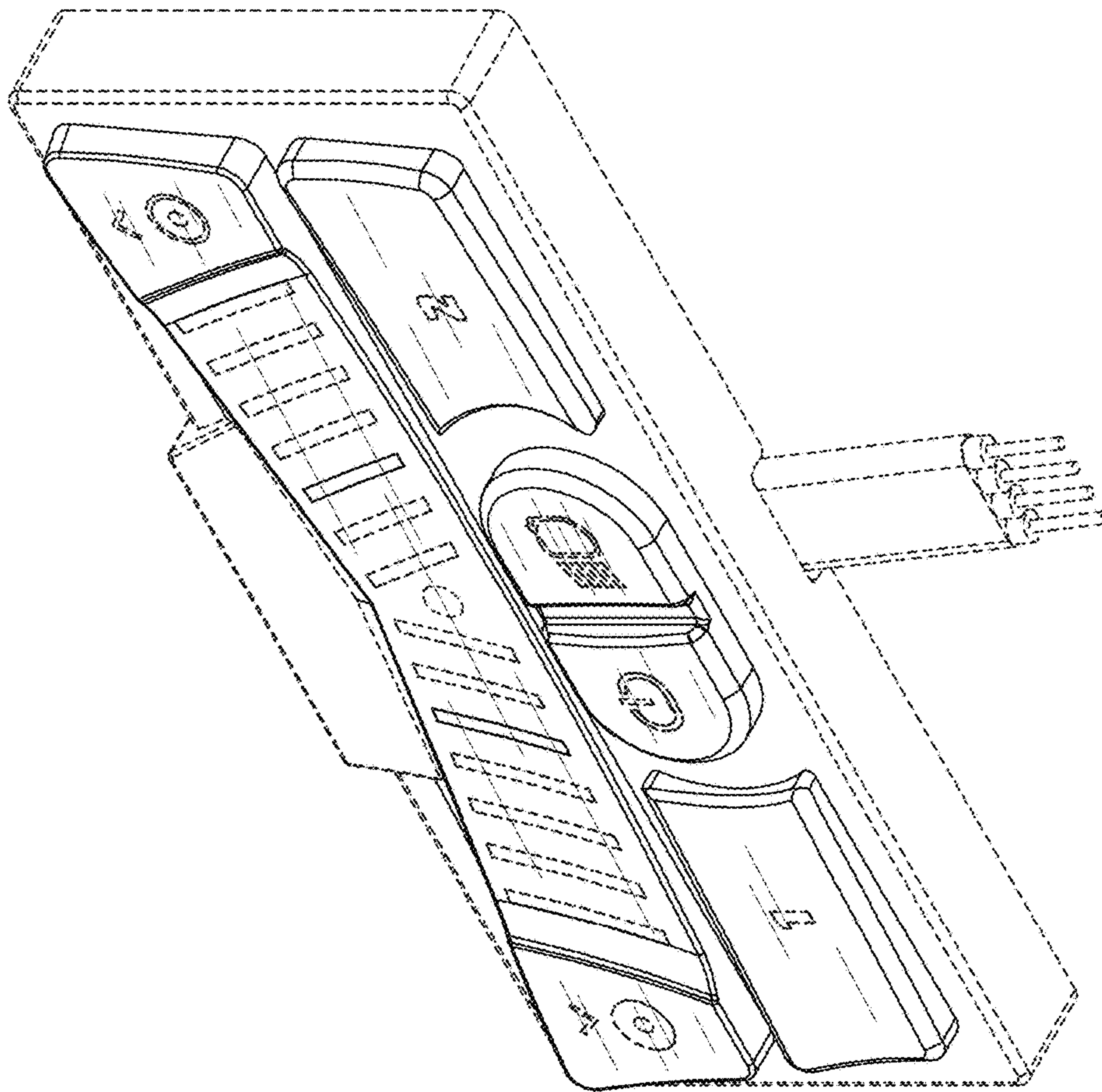


FIG. 32

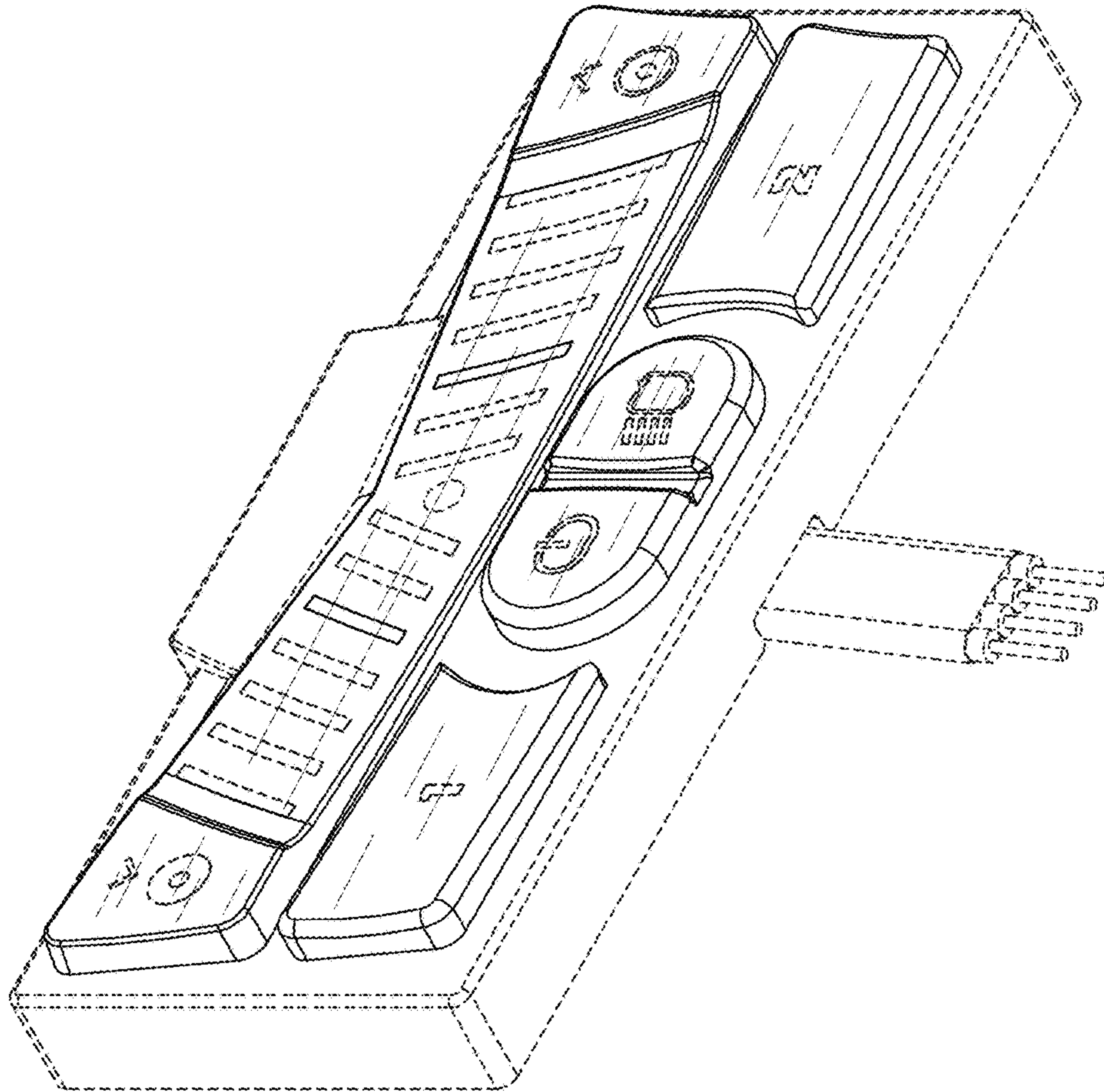


FIG. 33

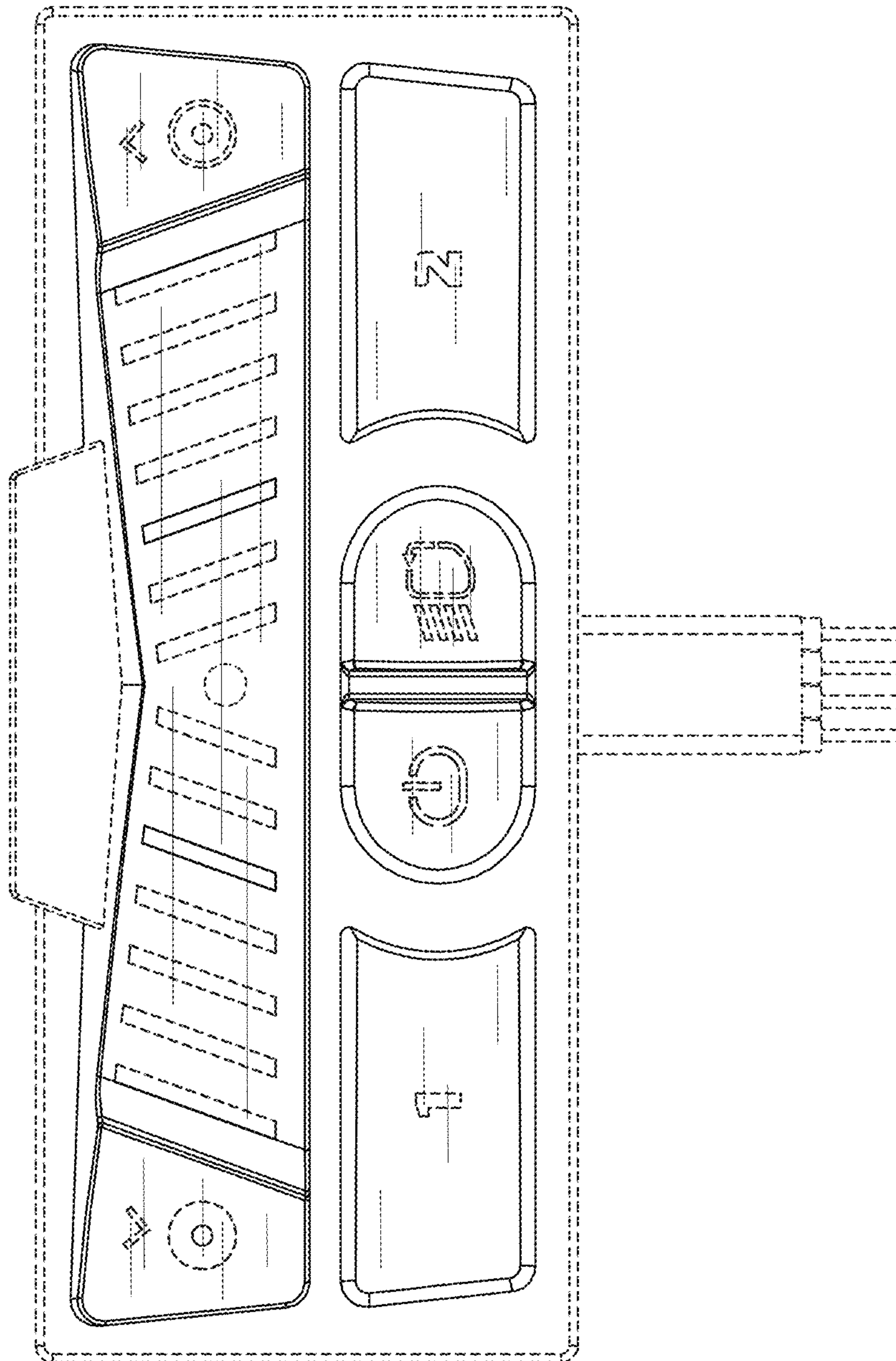


FIG. 34

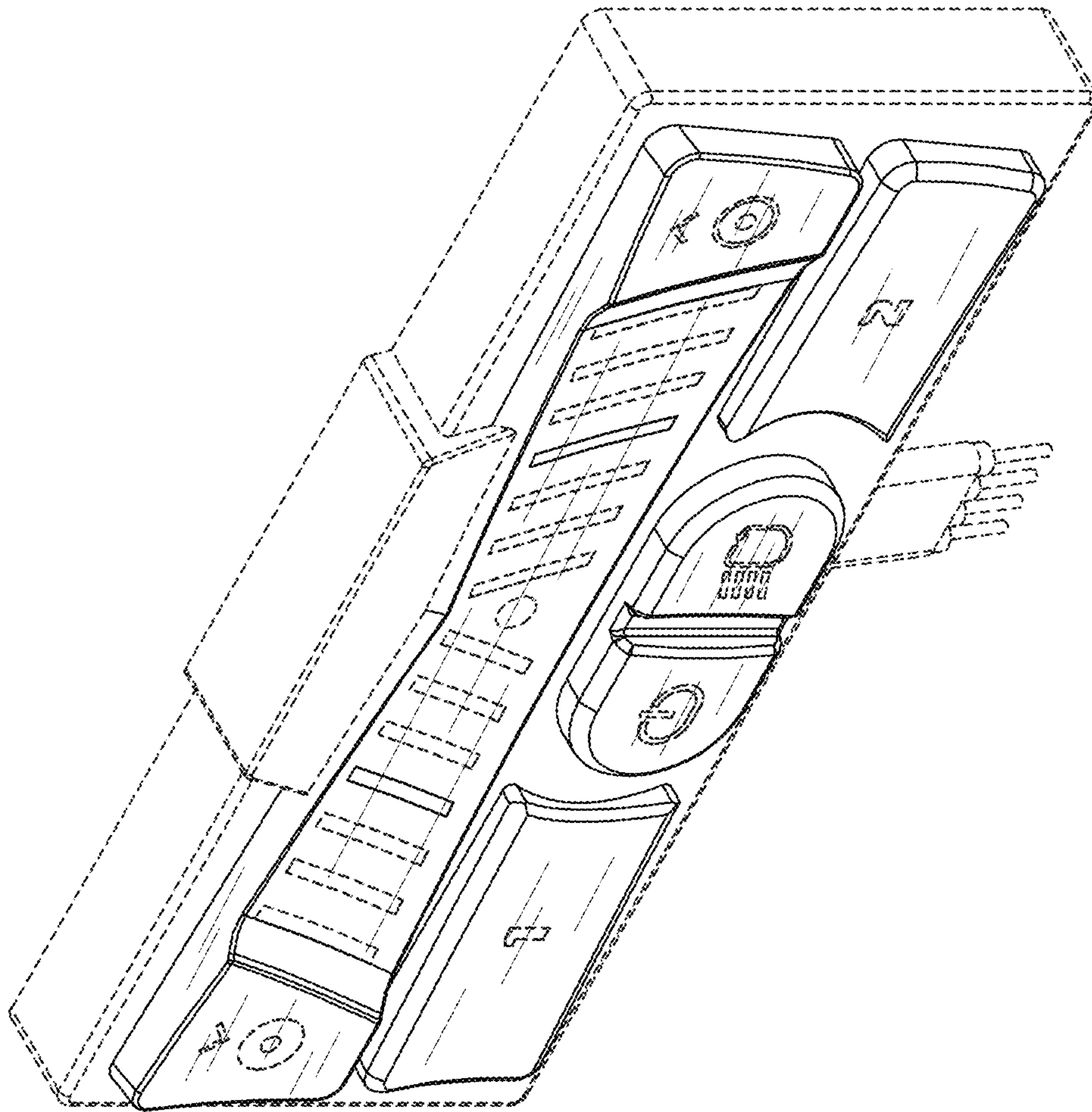


FIG. 35

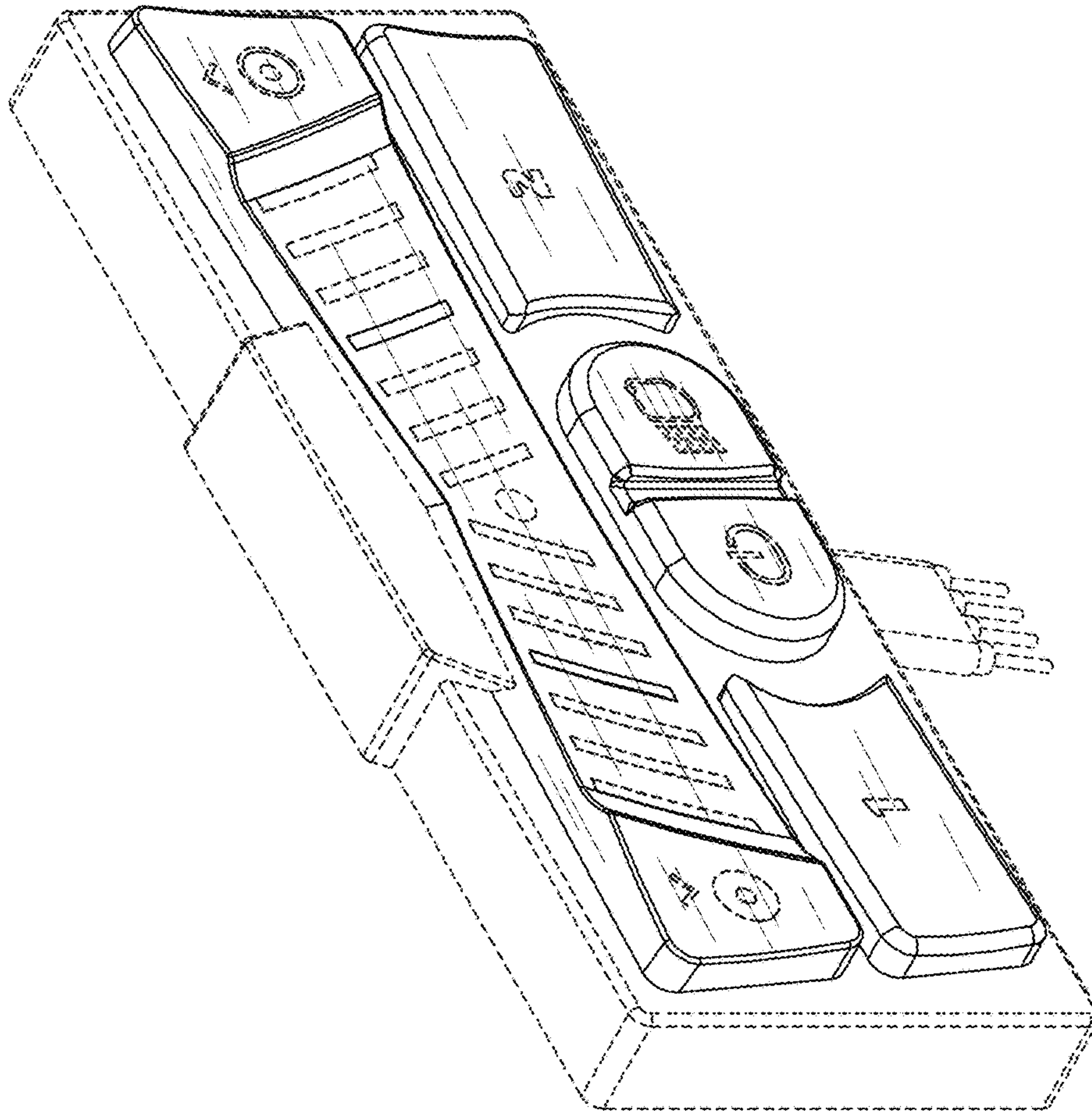


FIG. 36

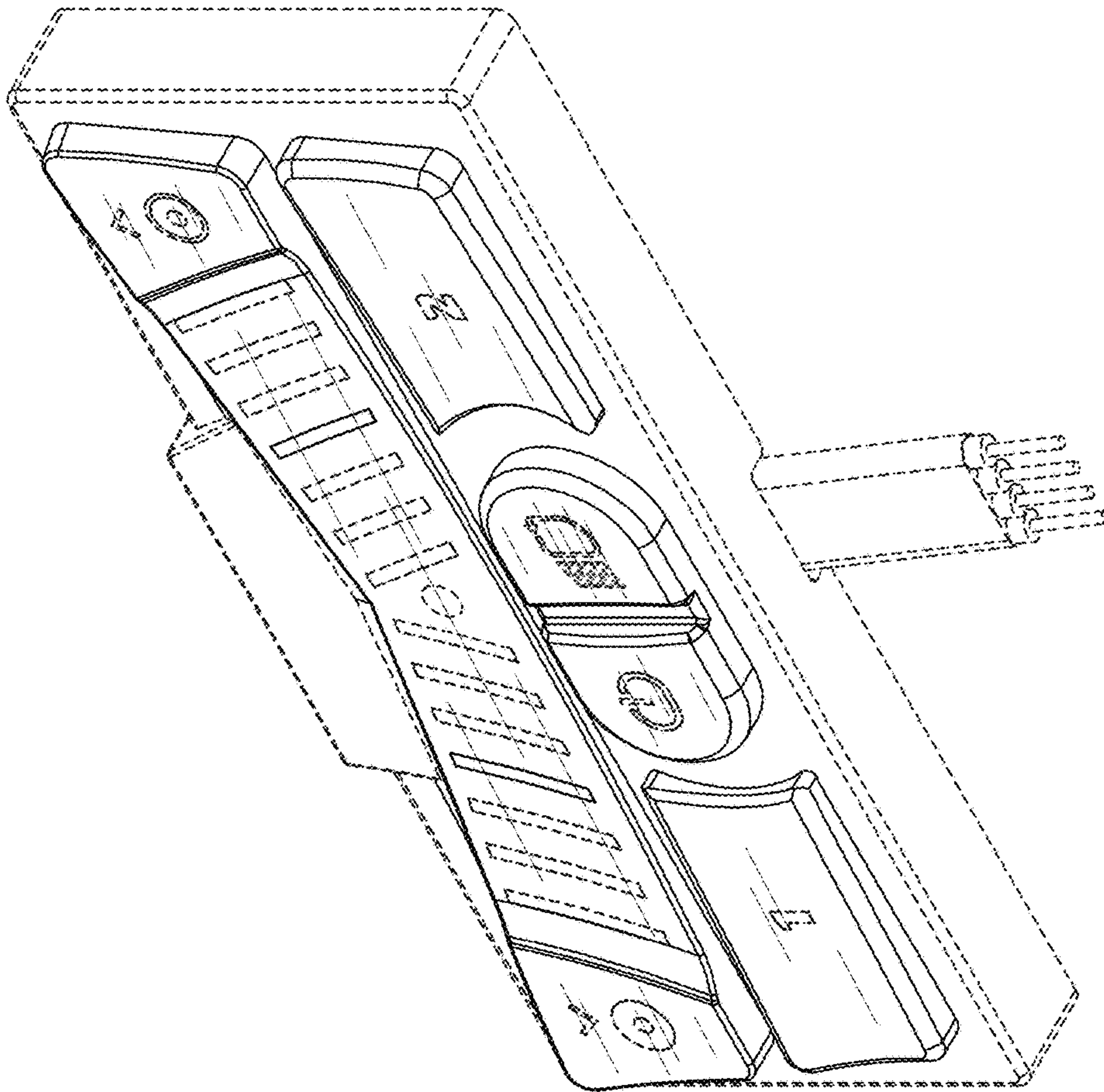


FIG. 37

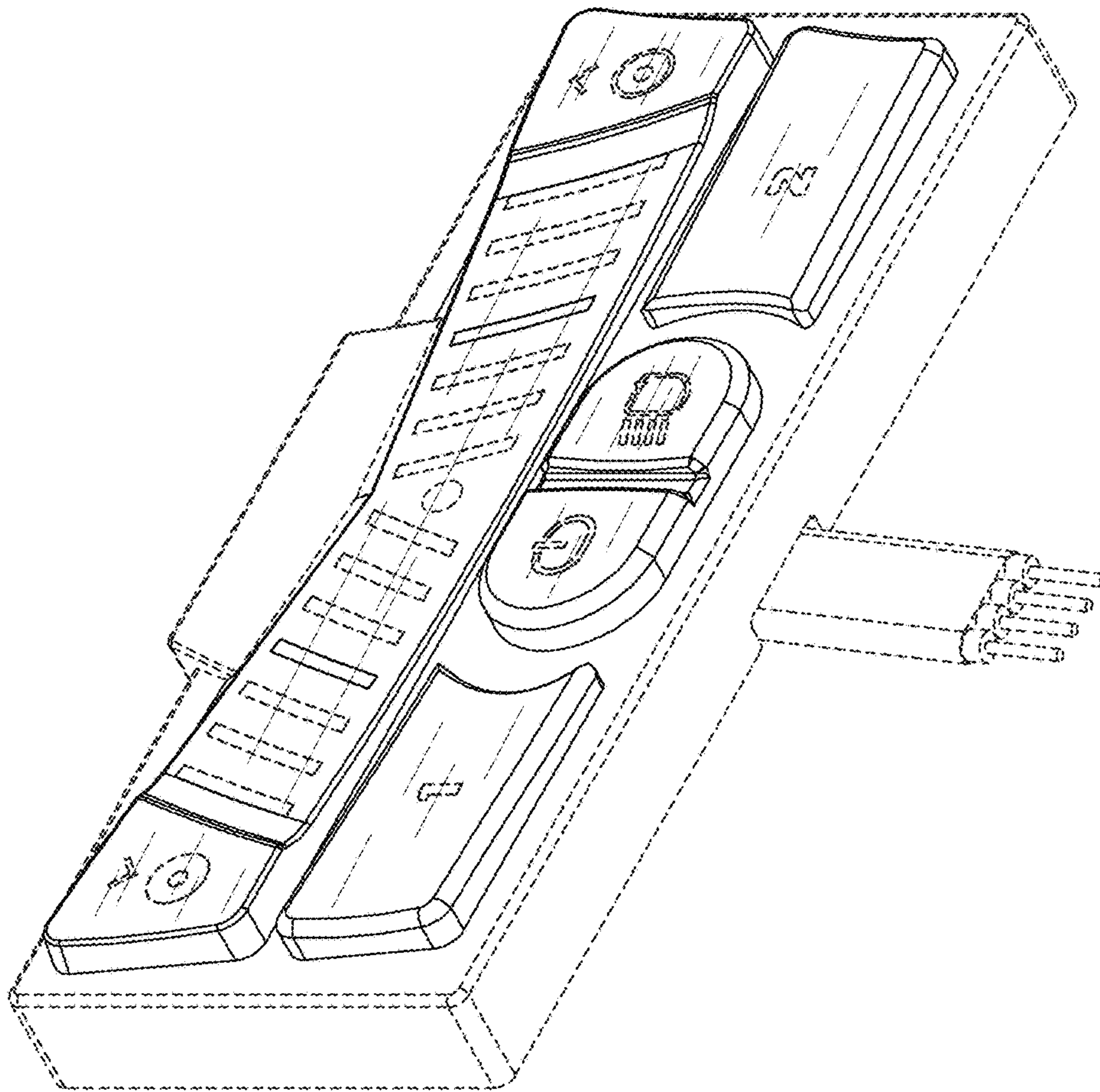


FIG. 38

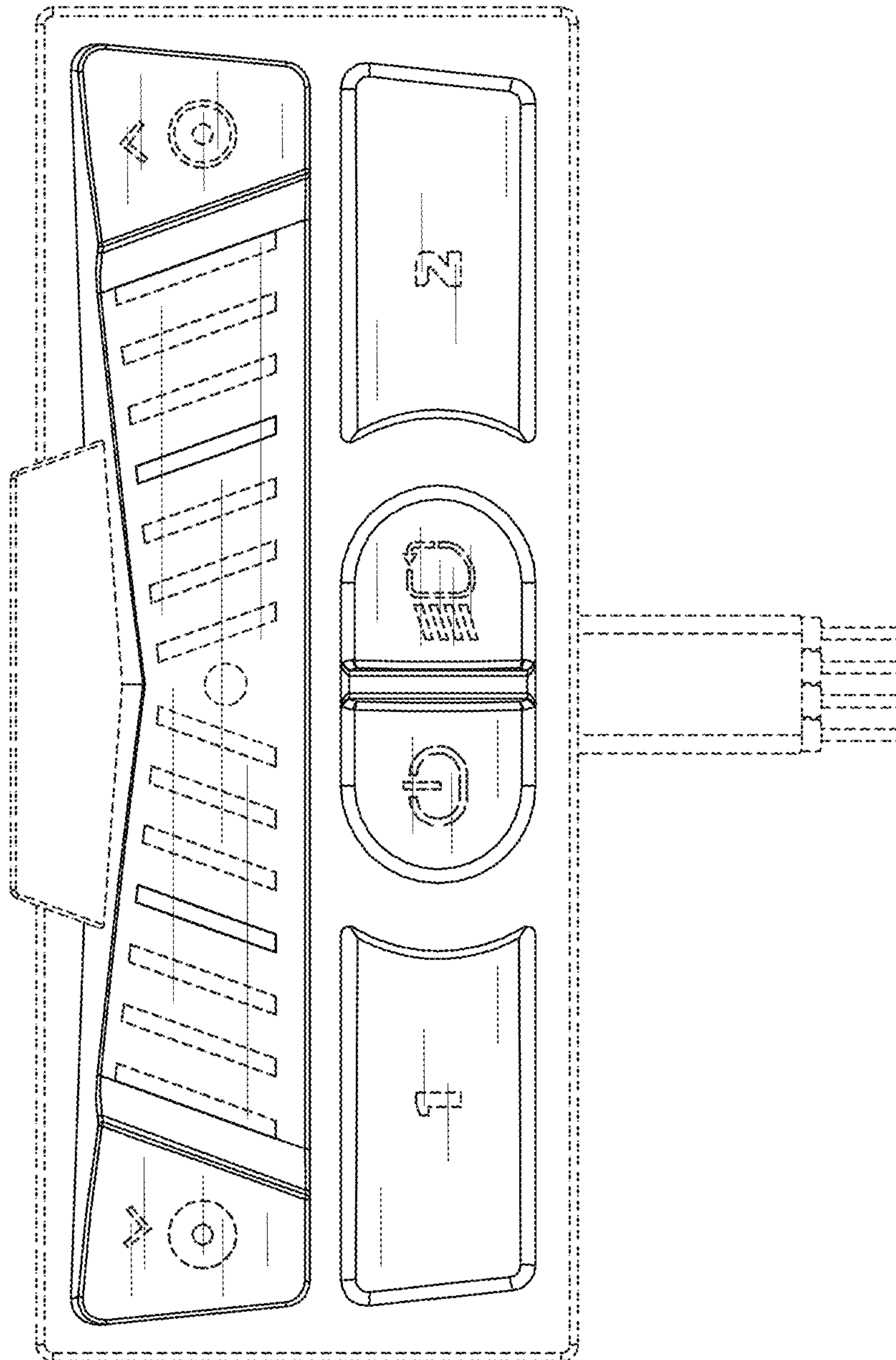


FIG. 39

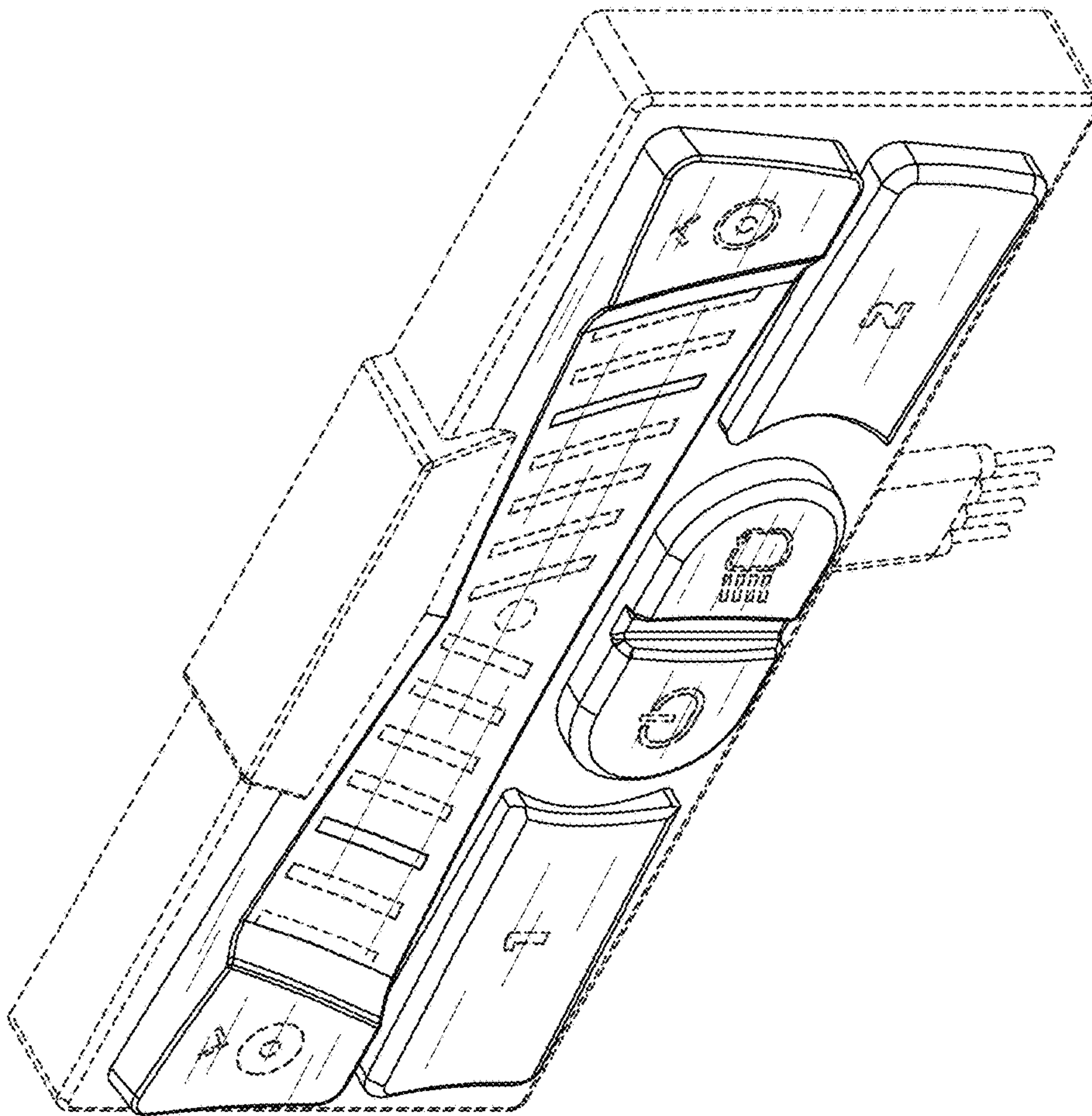


FIG. 40

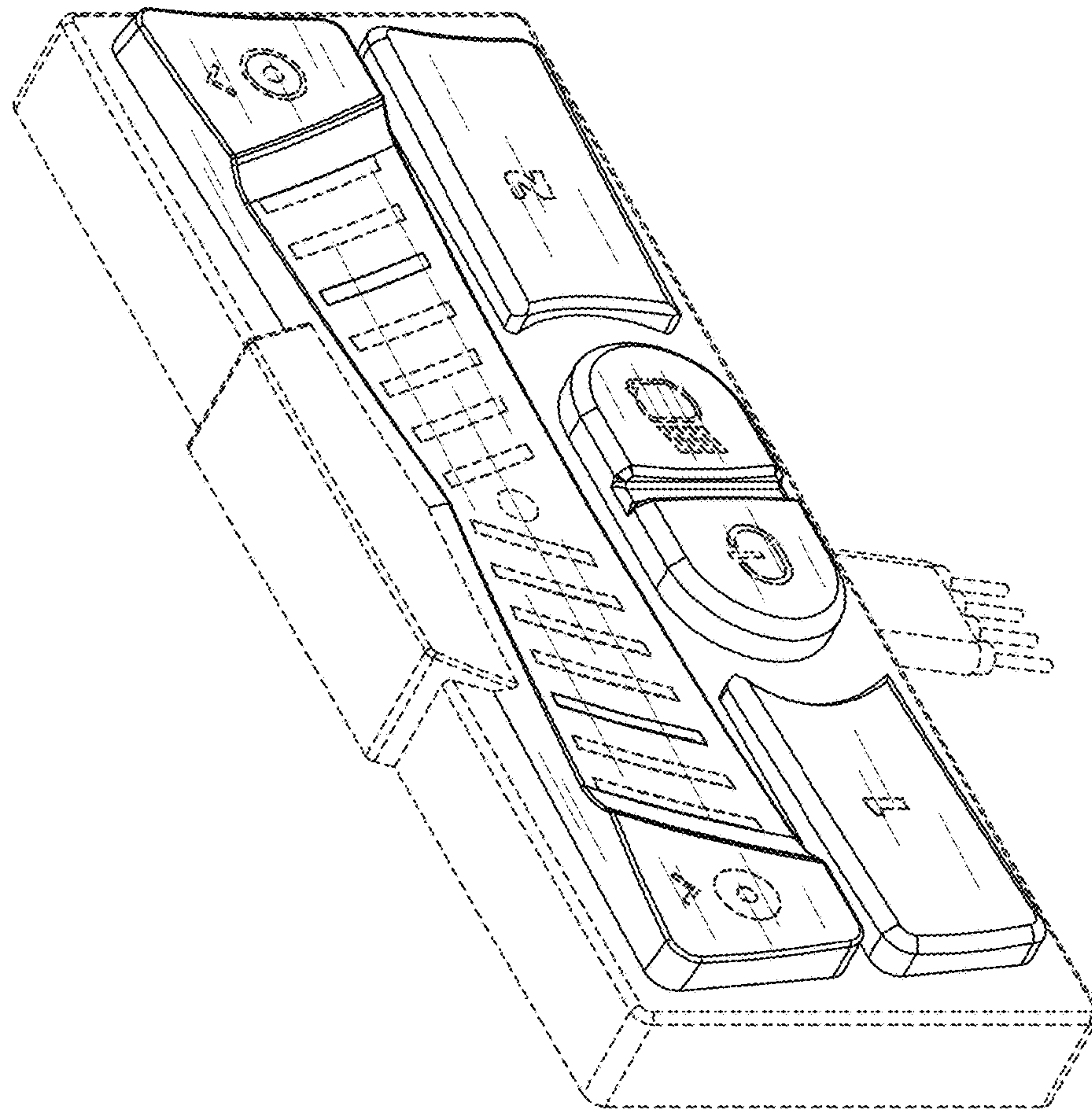


FIG. 41

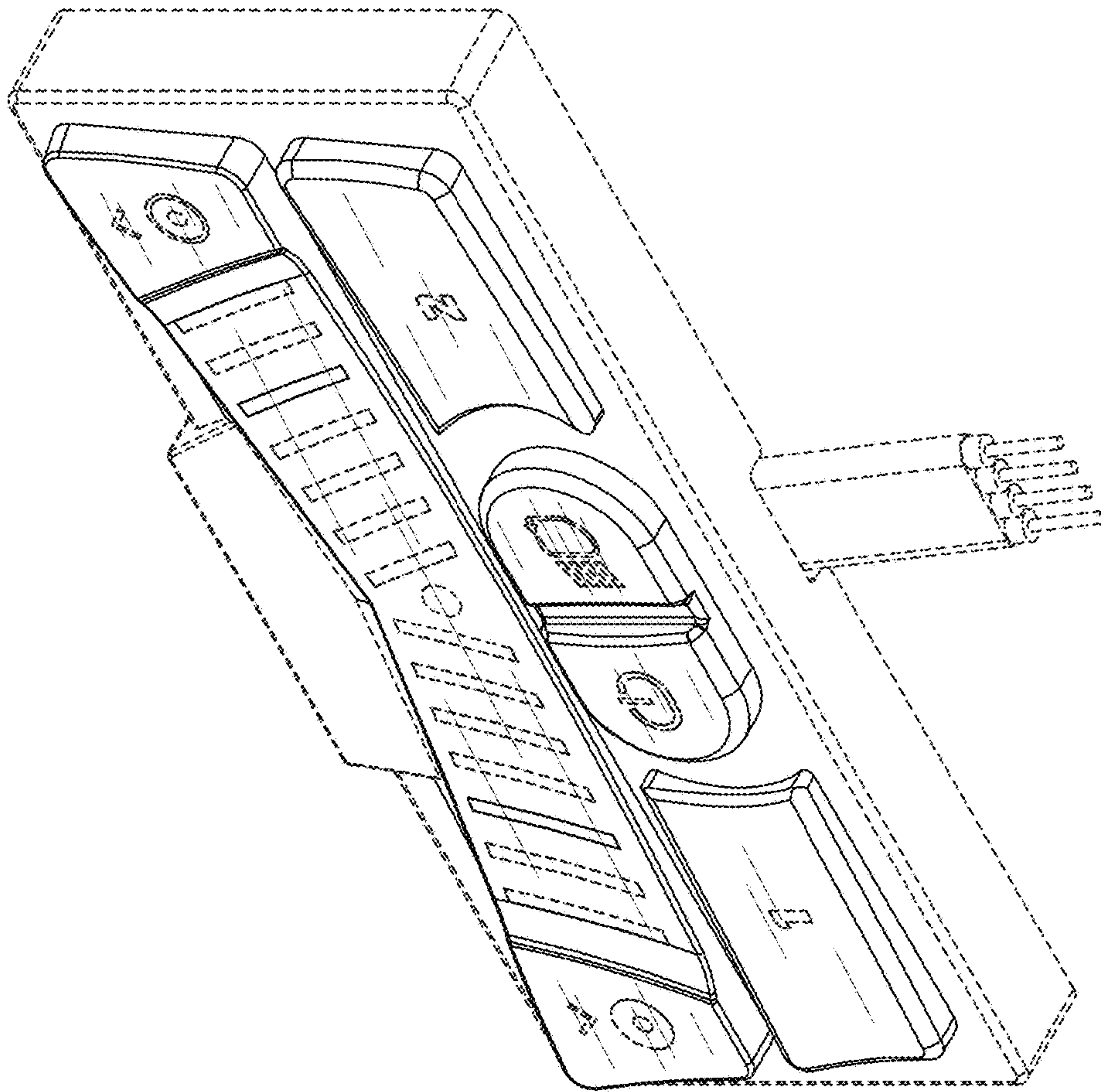


FIG. 42

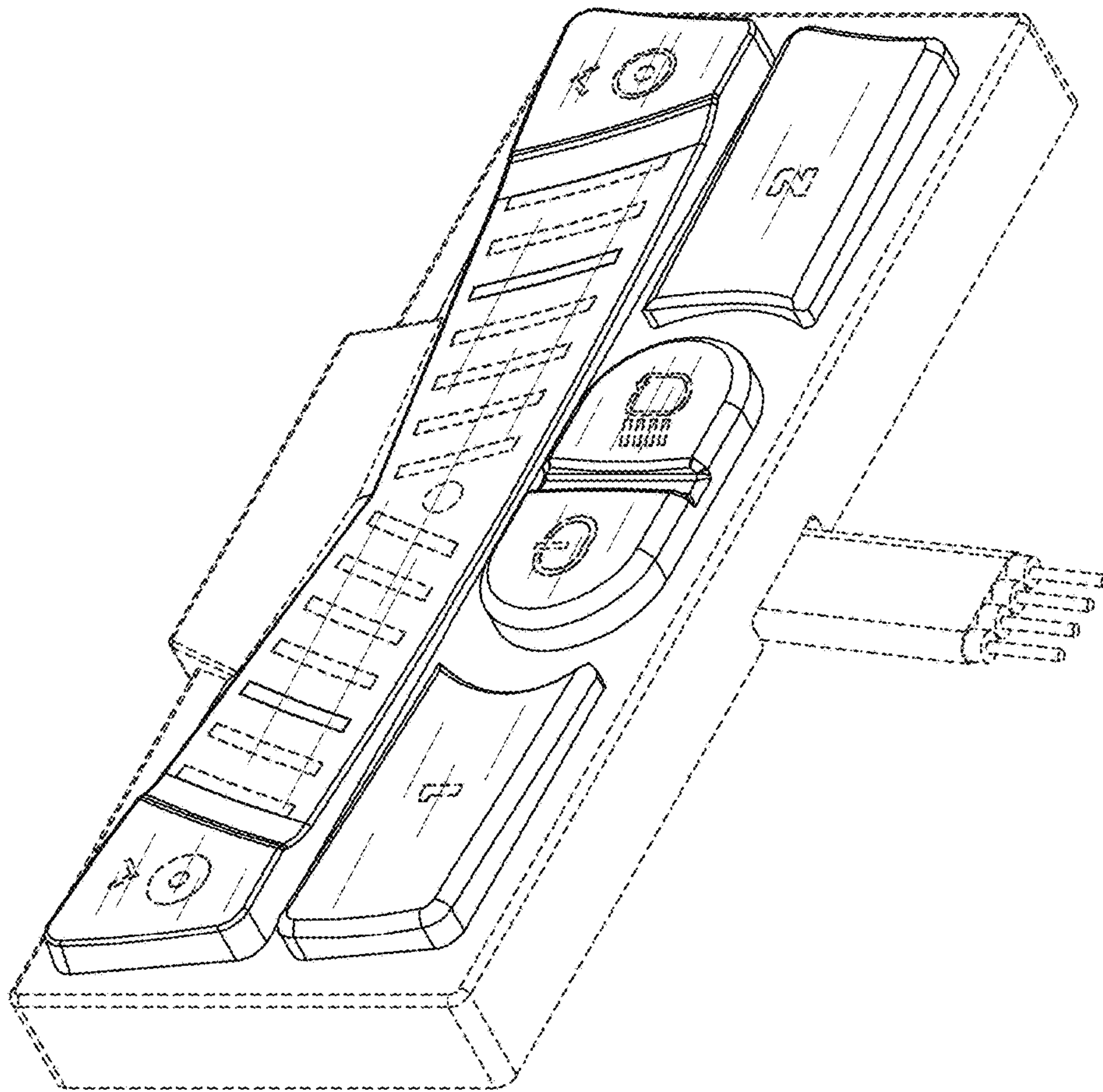


FIG. 43

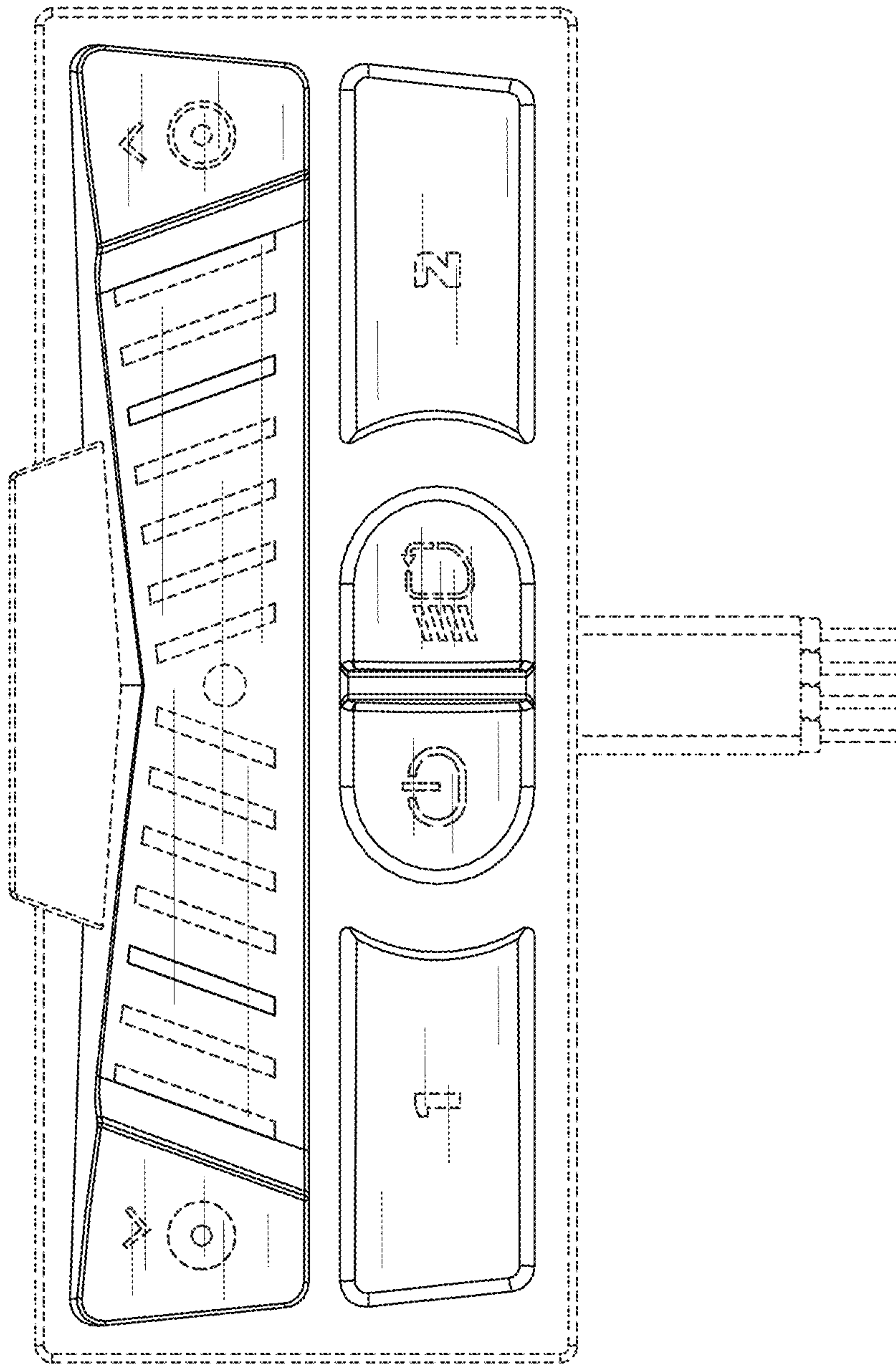


FIG. 44

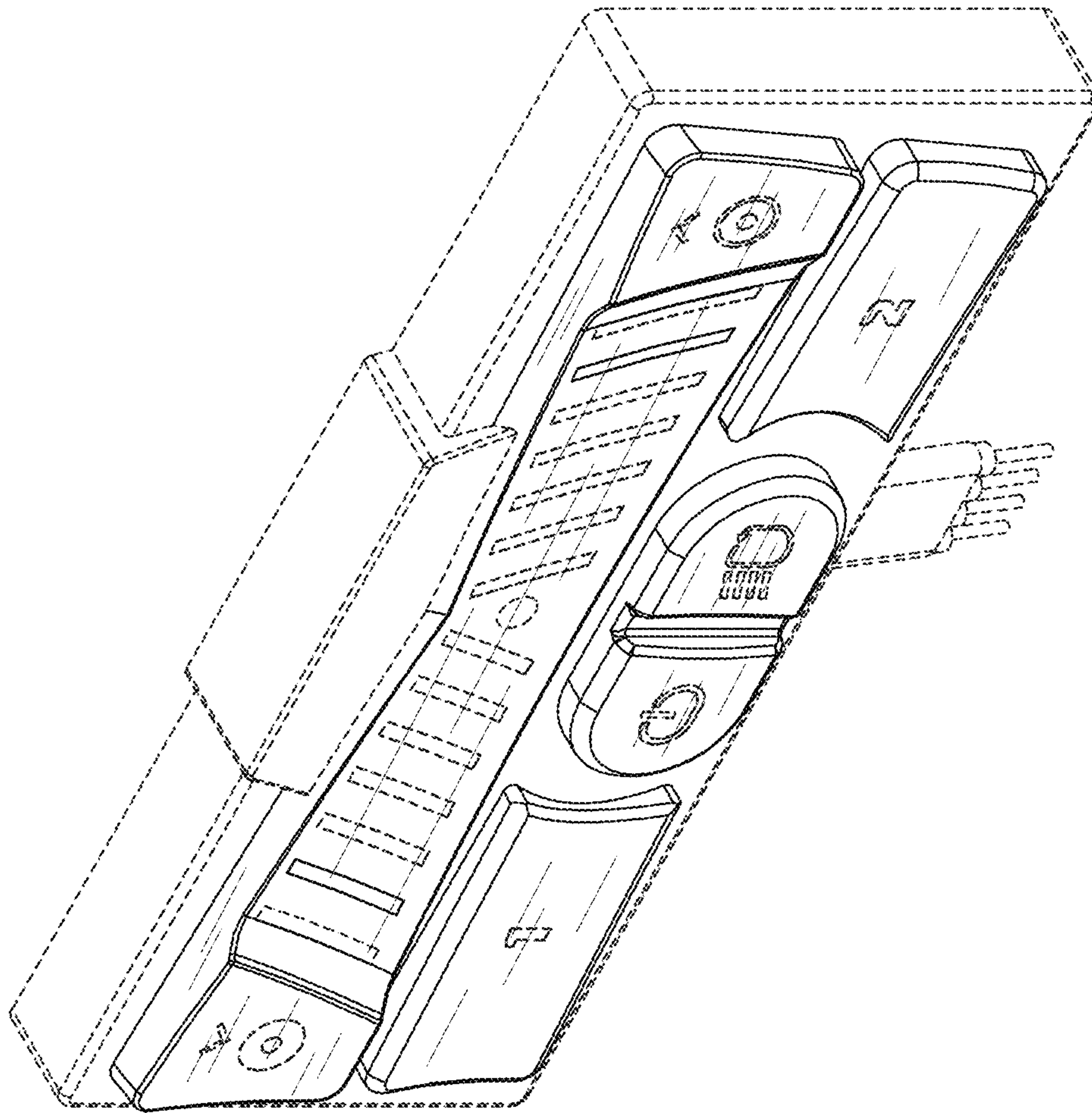


FIG. 45

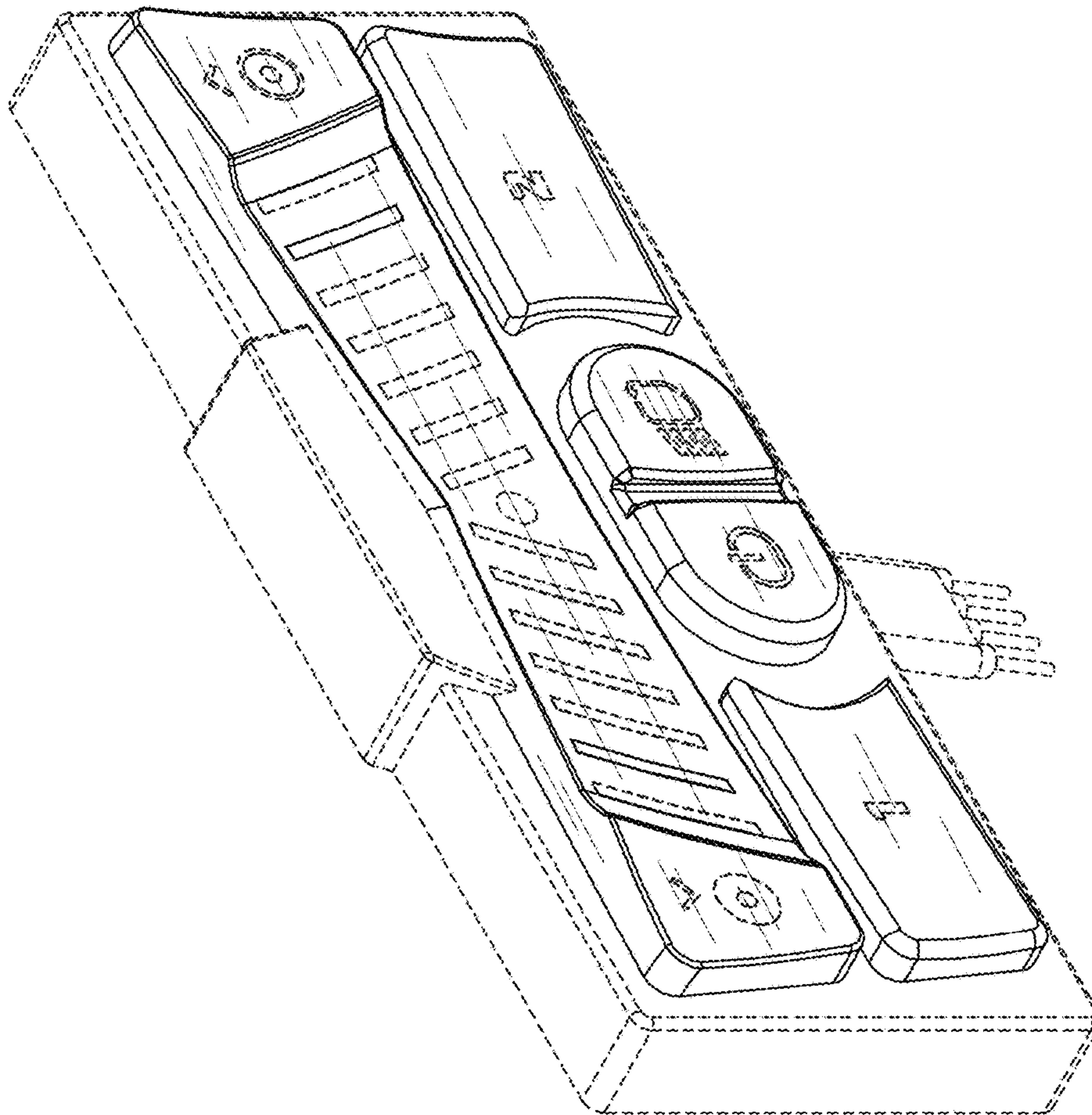


FIG. 46

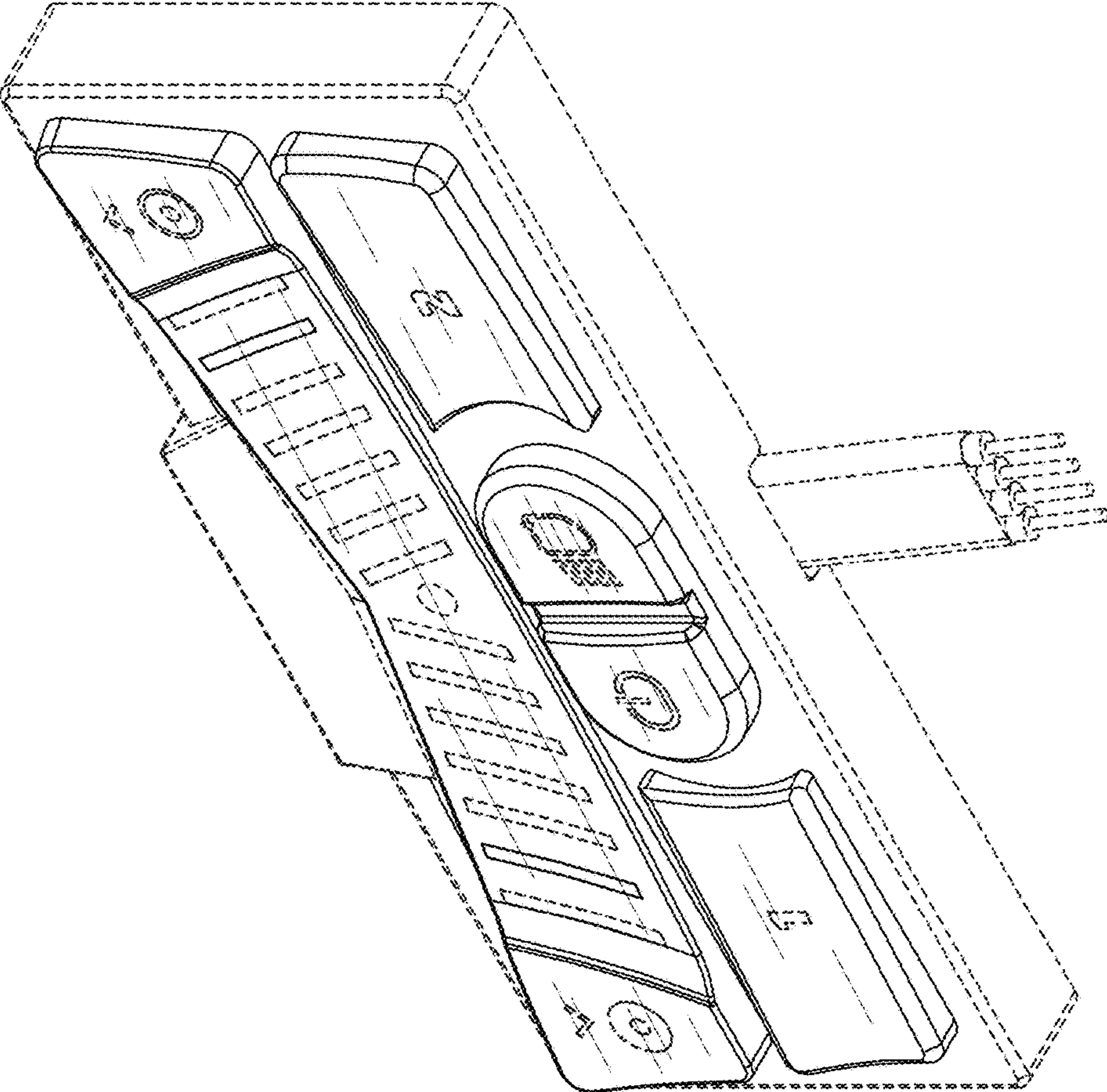


FIG. 47

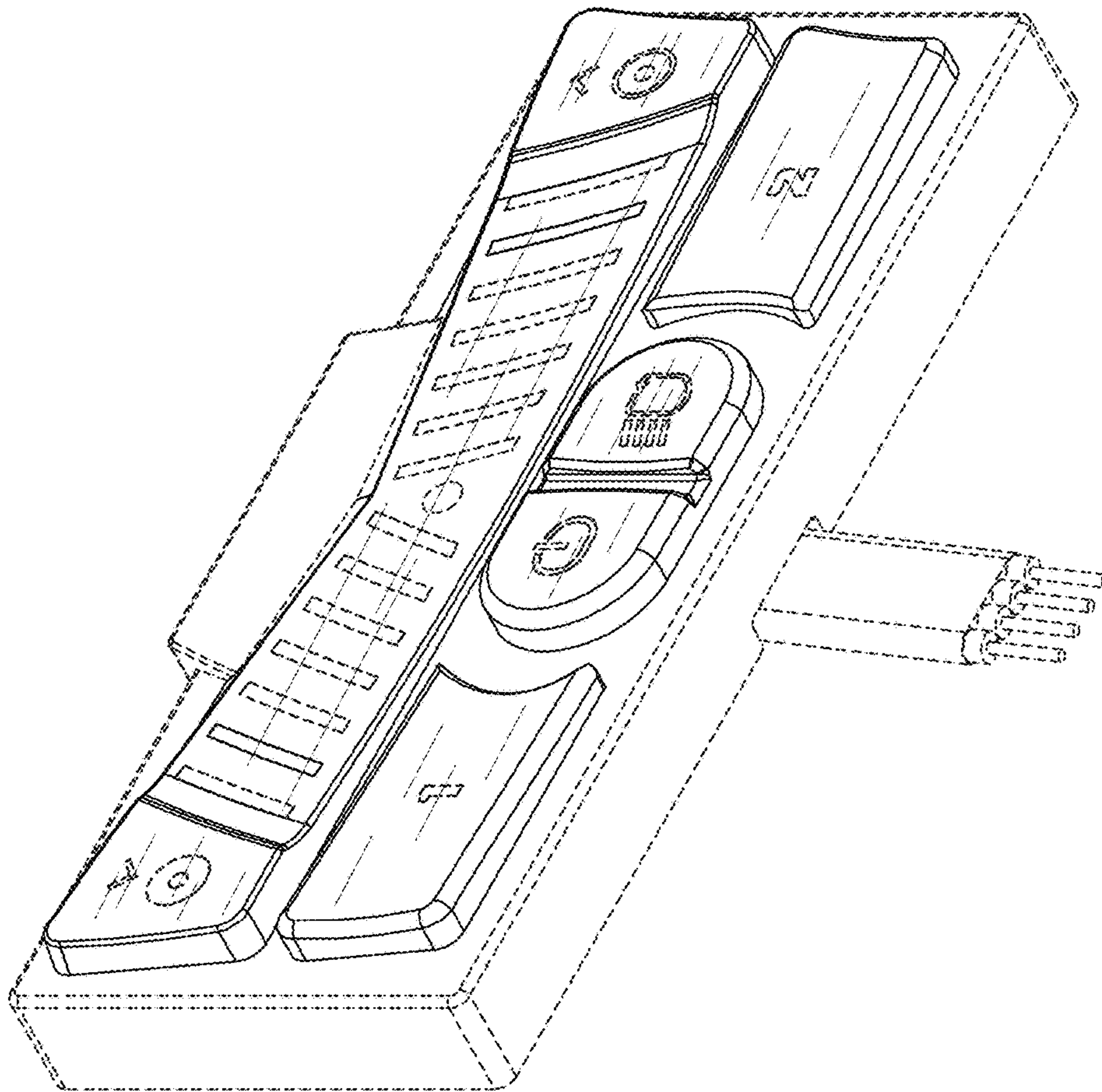


FIG. 48

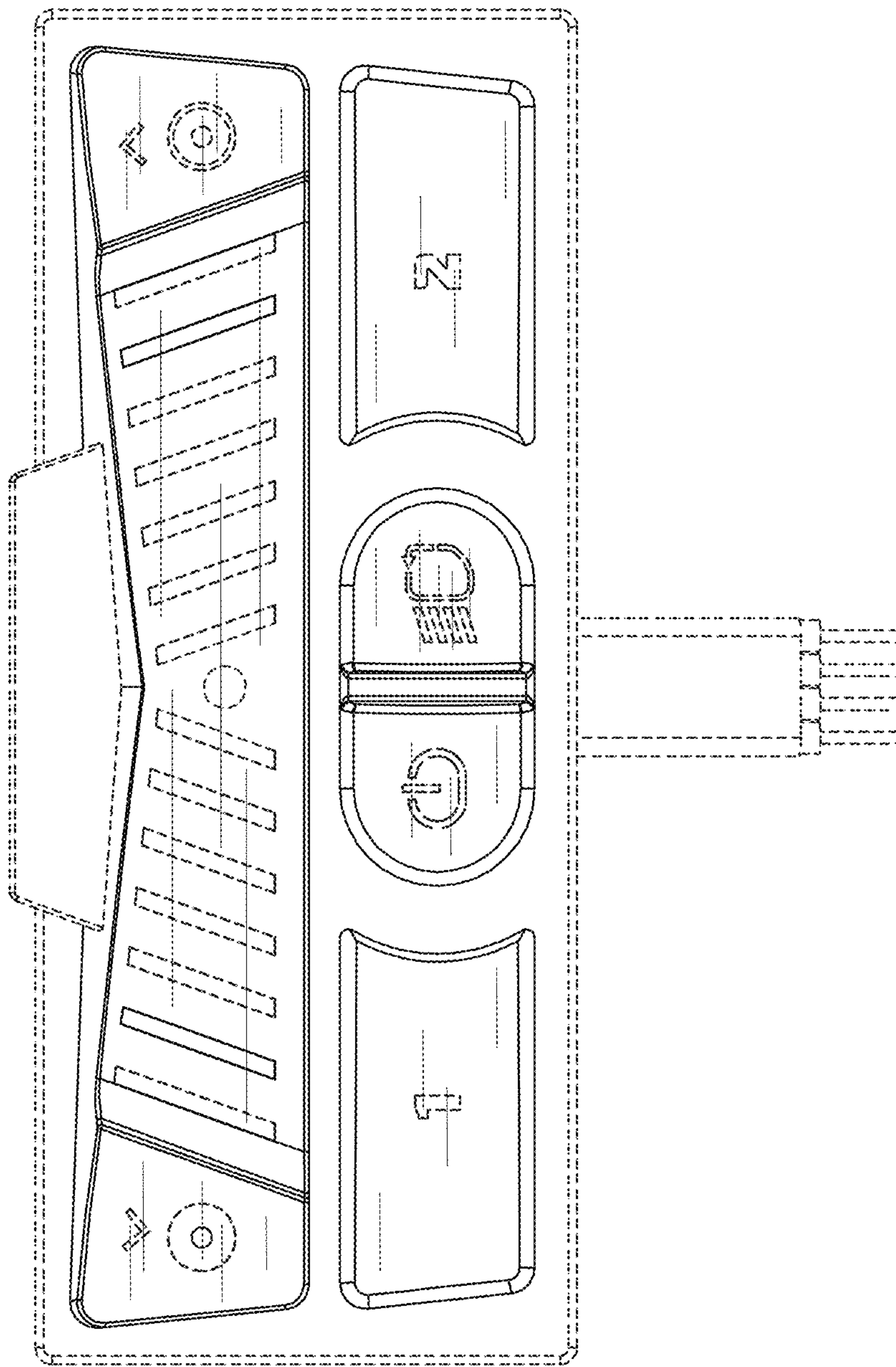


FIG. 49

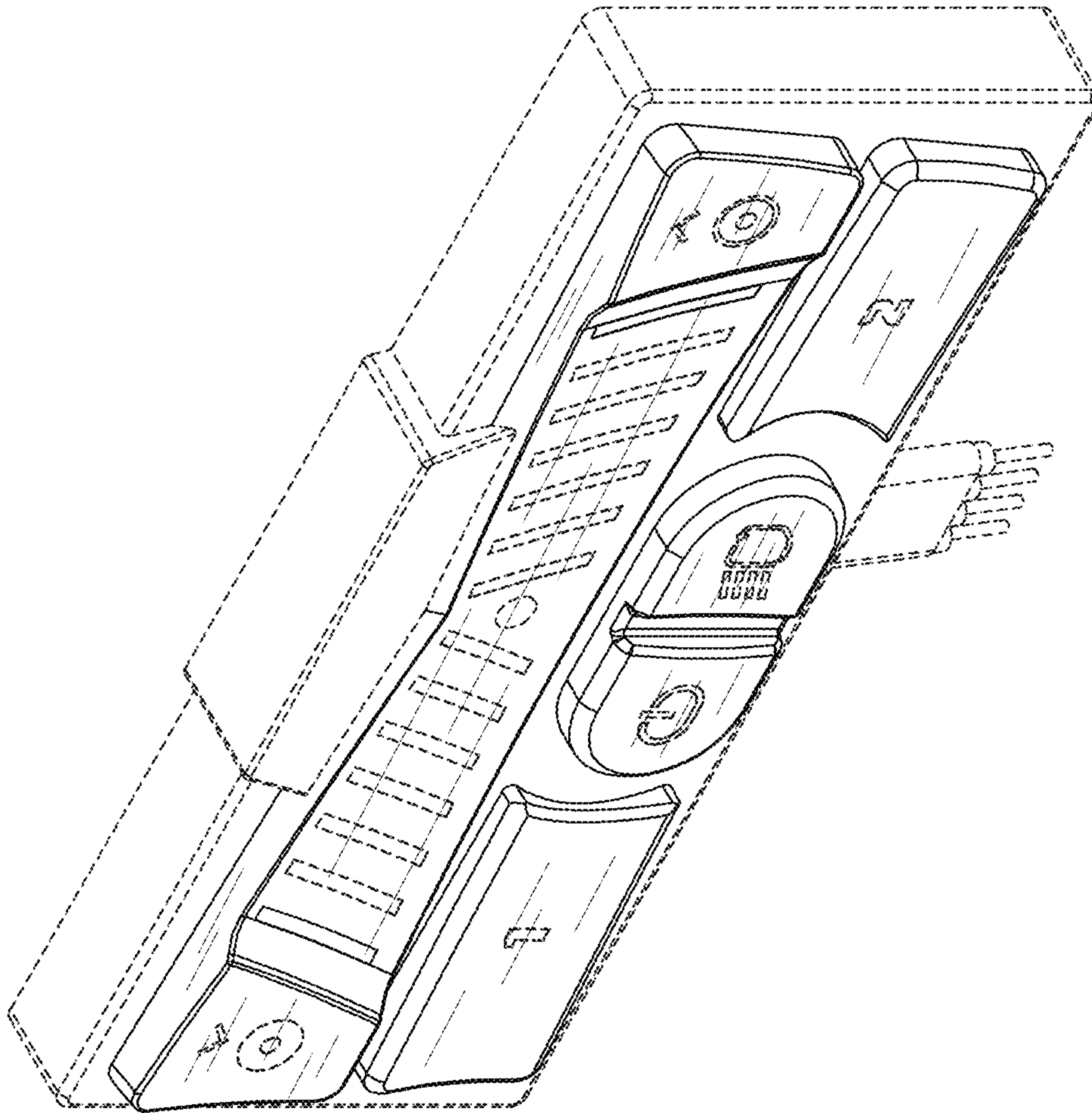


FIG. 50

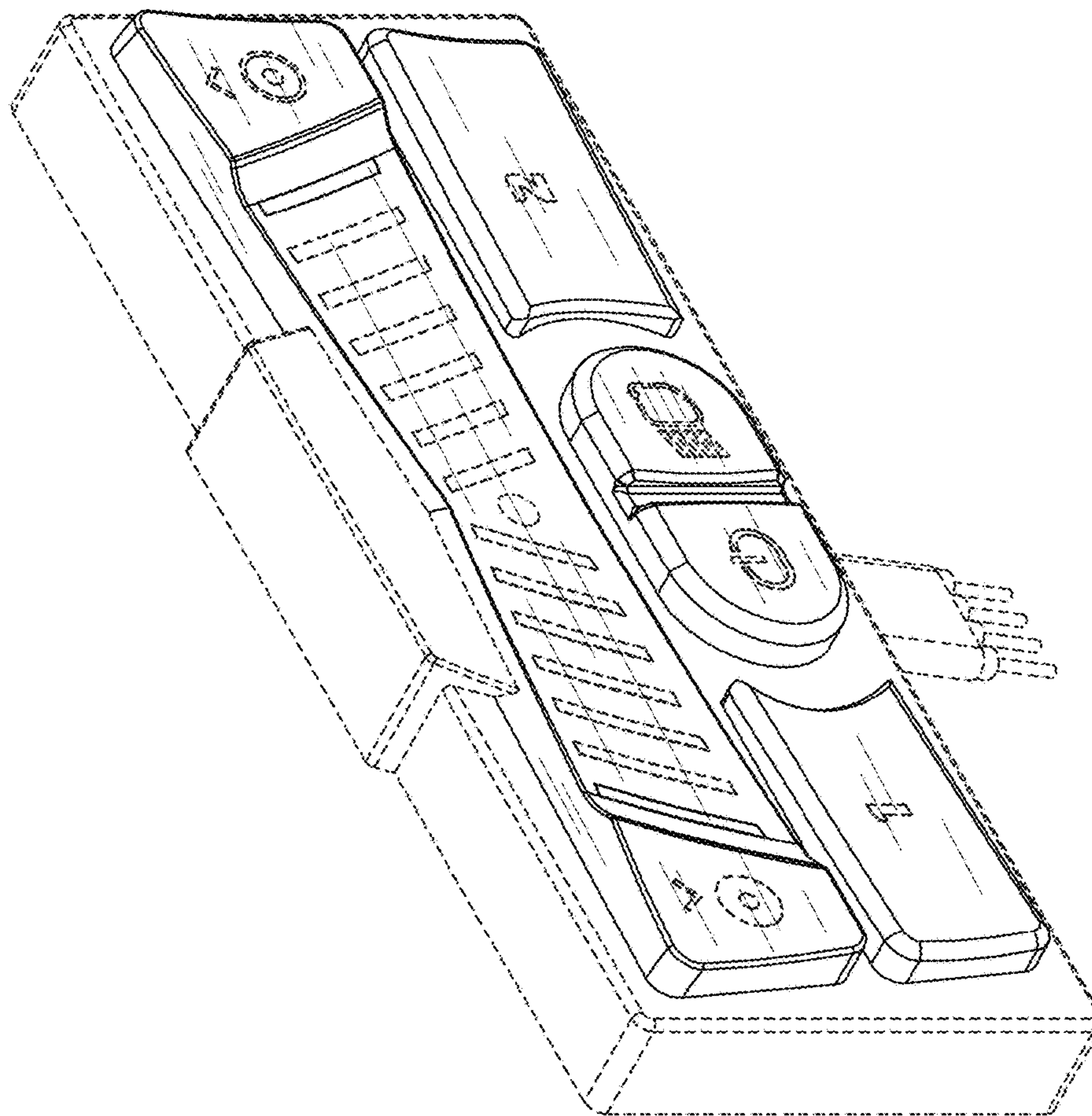


FIG. 51

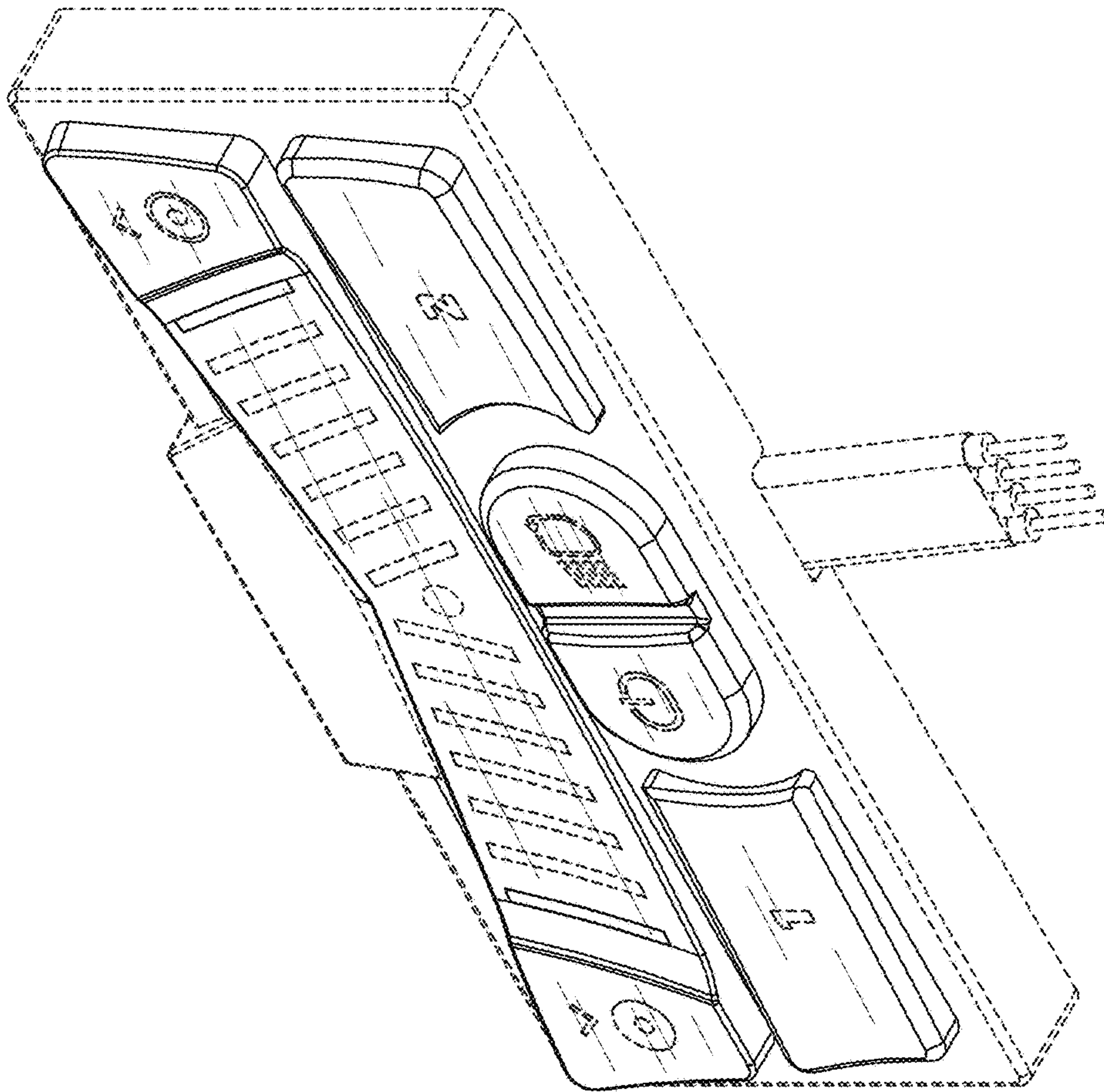


FIG. 52

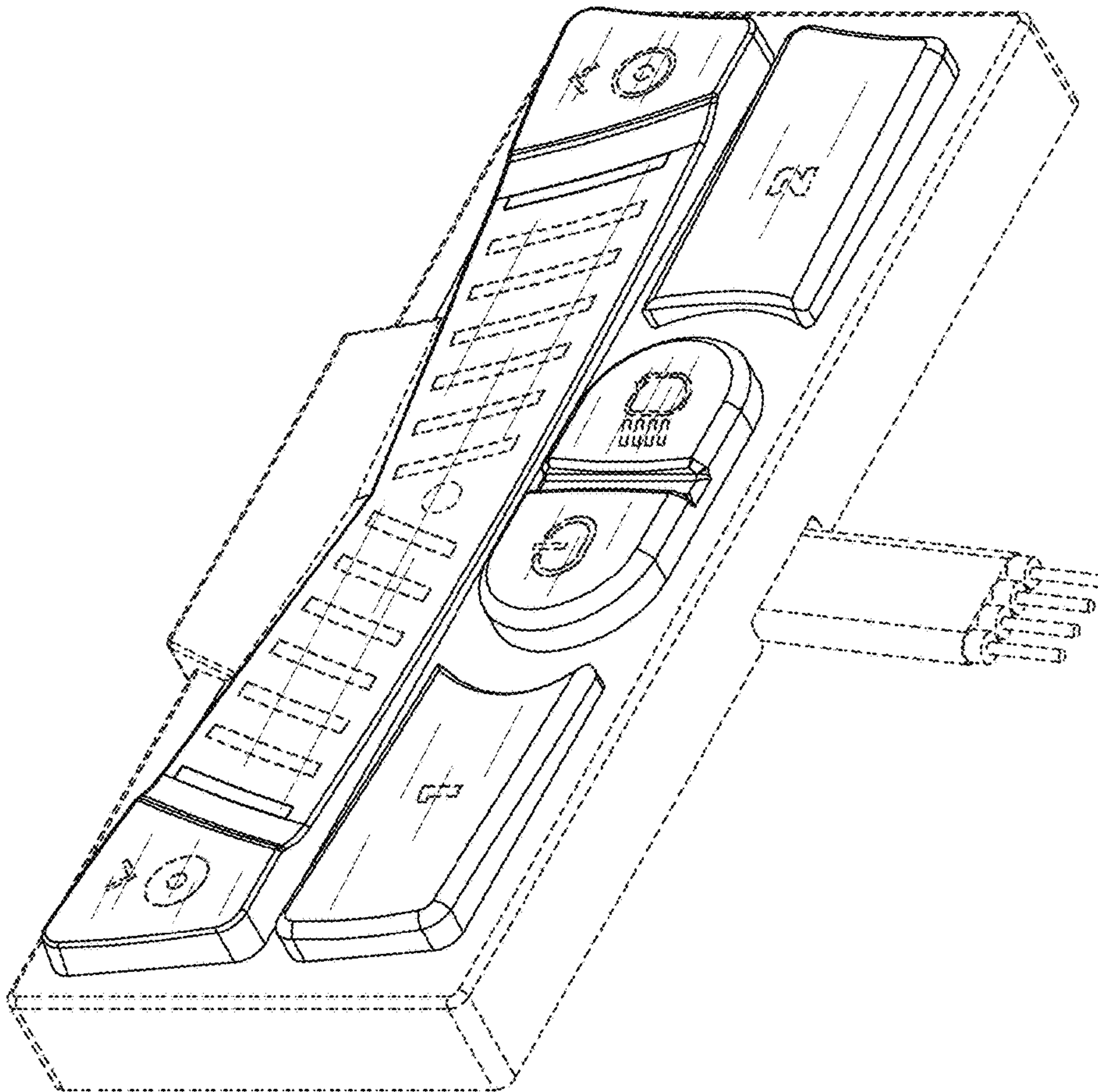


FIG. 53

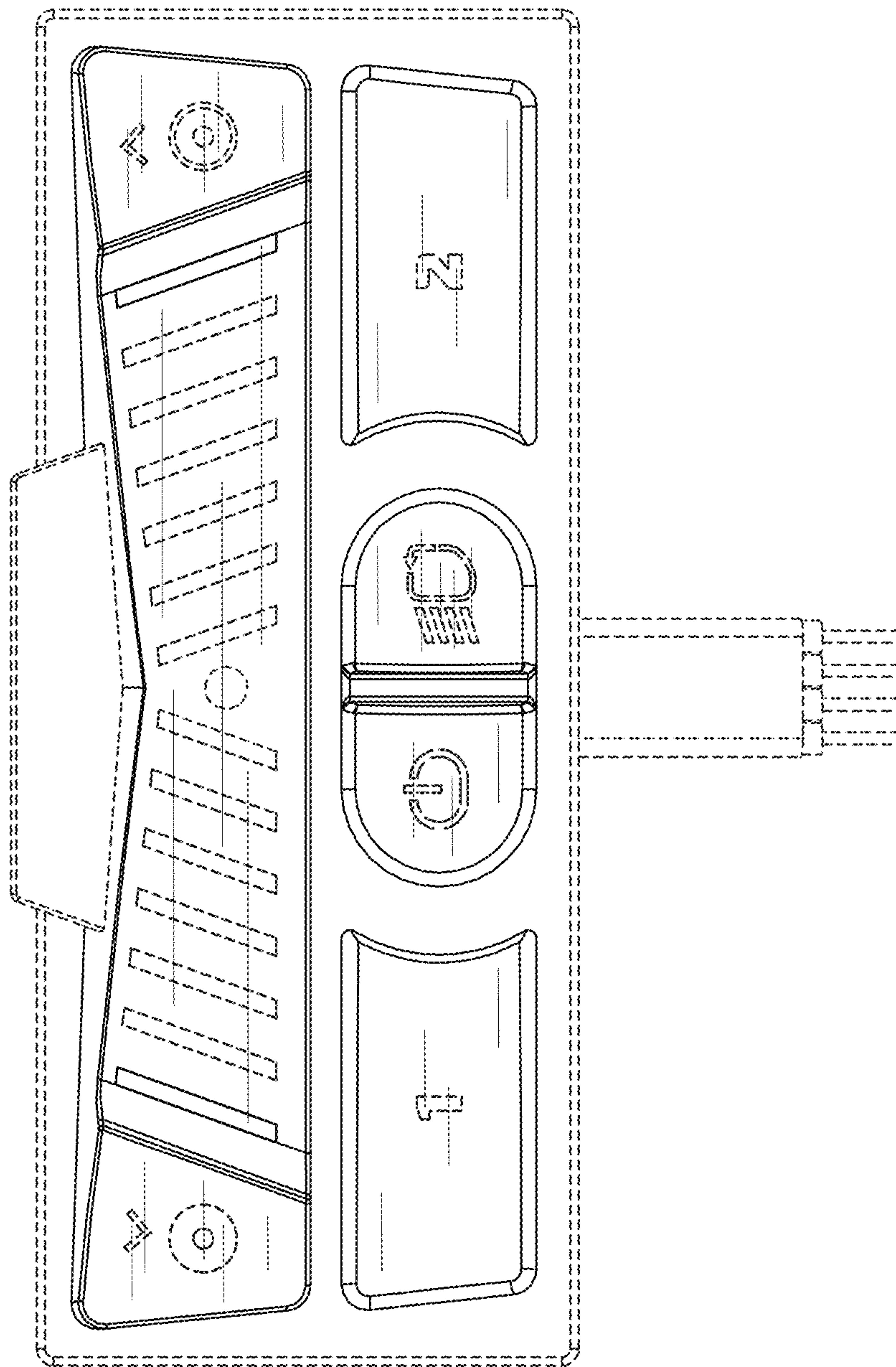


FIG. 54

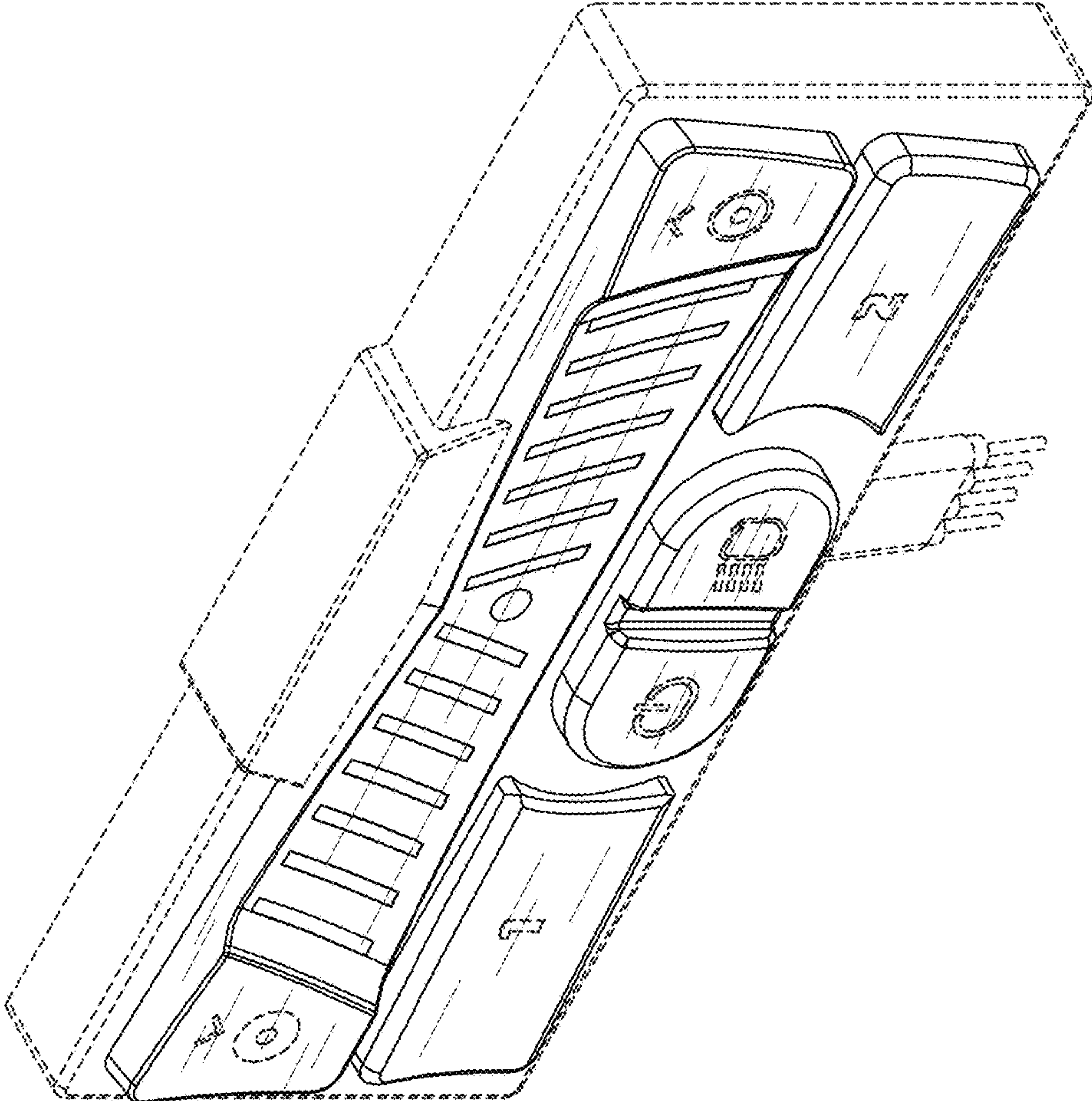


FIG. 55

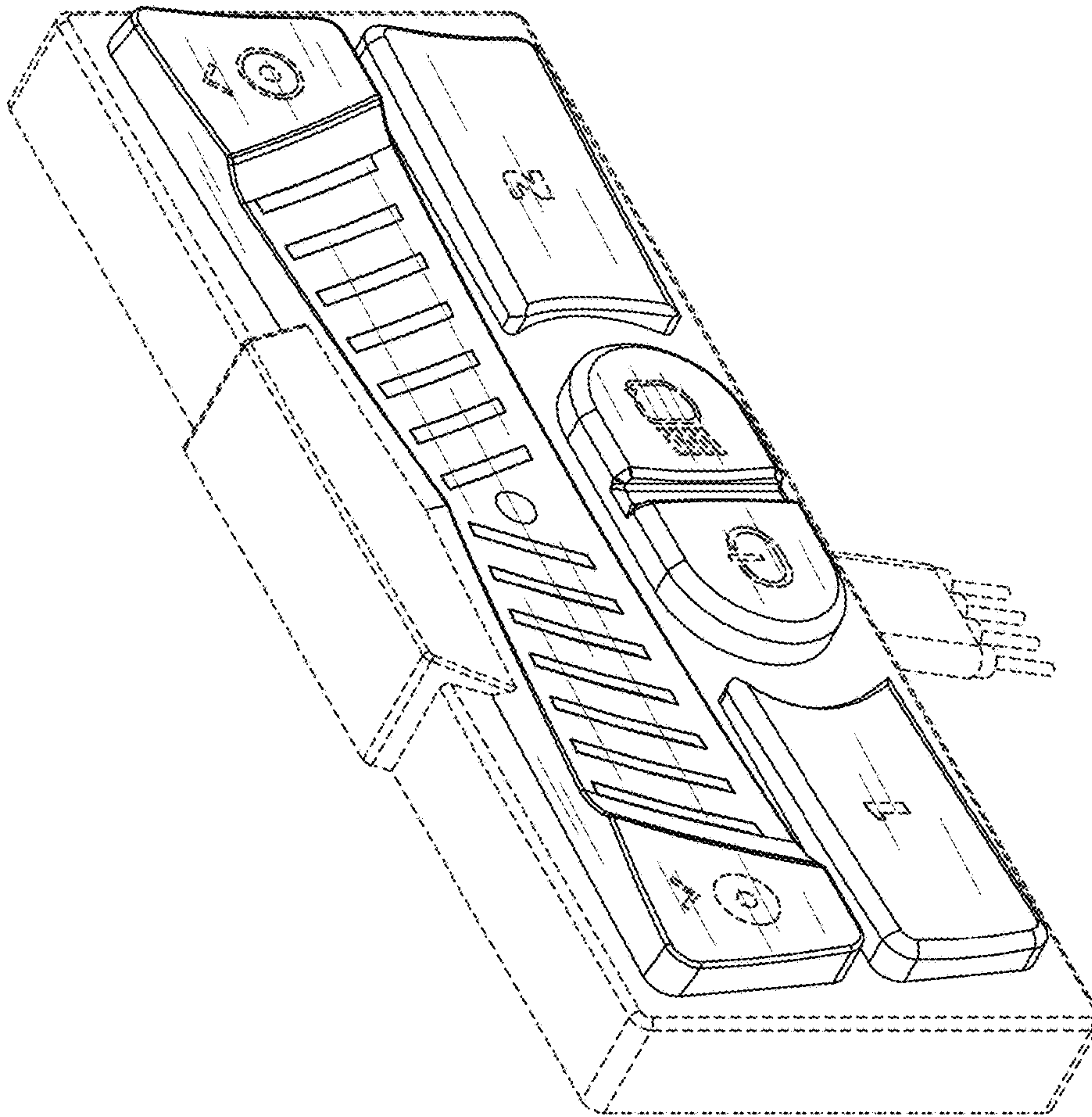


FIG. 56

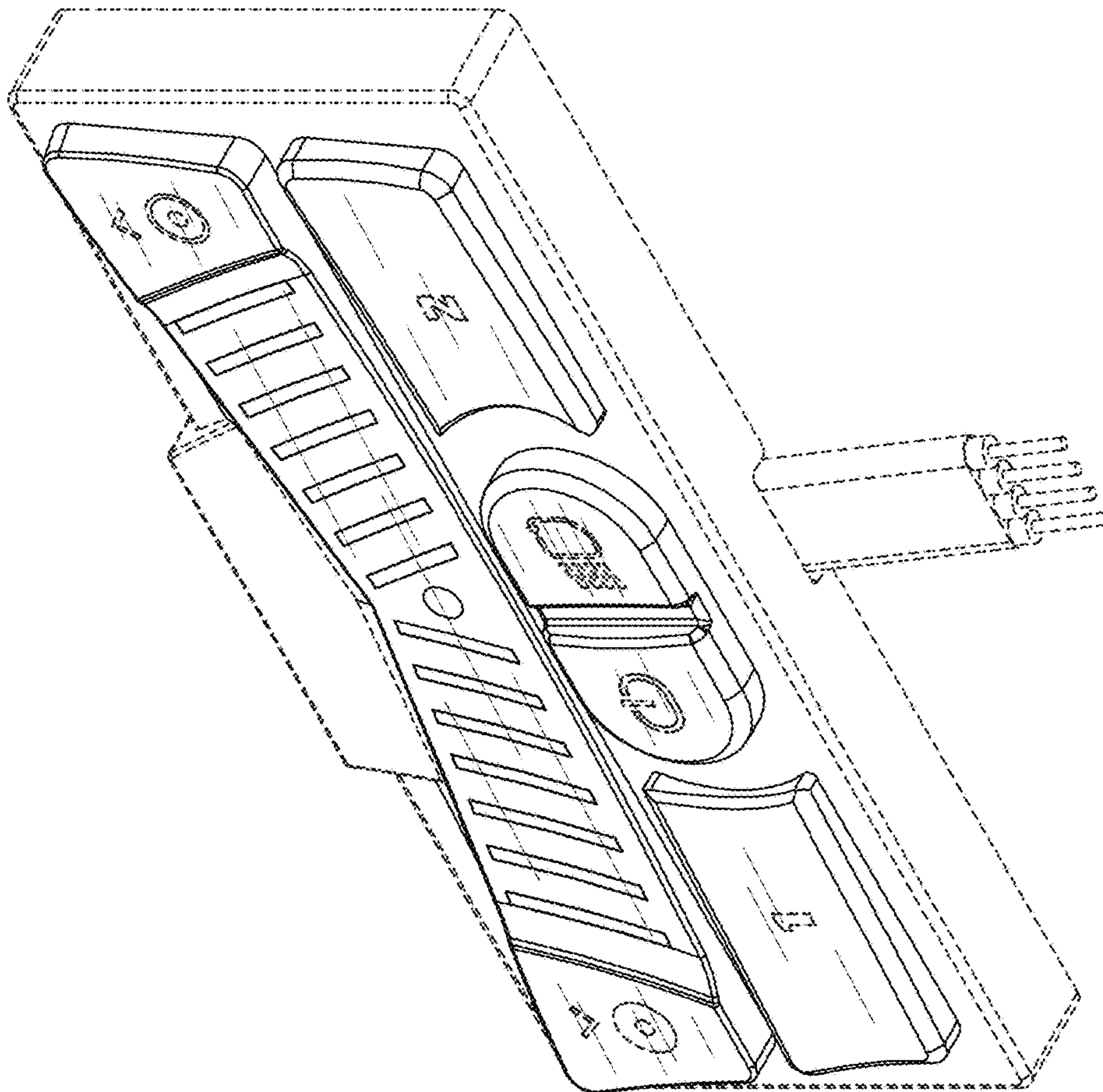


FIG. 57

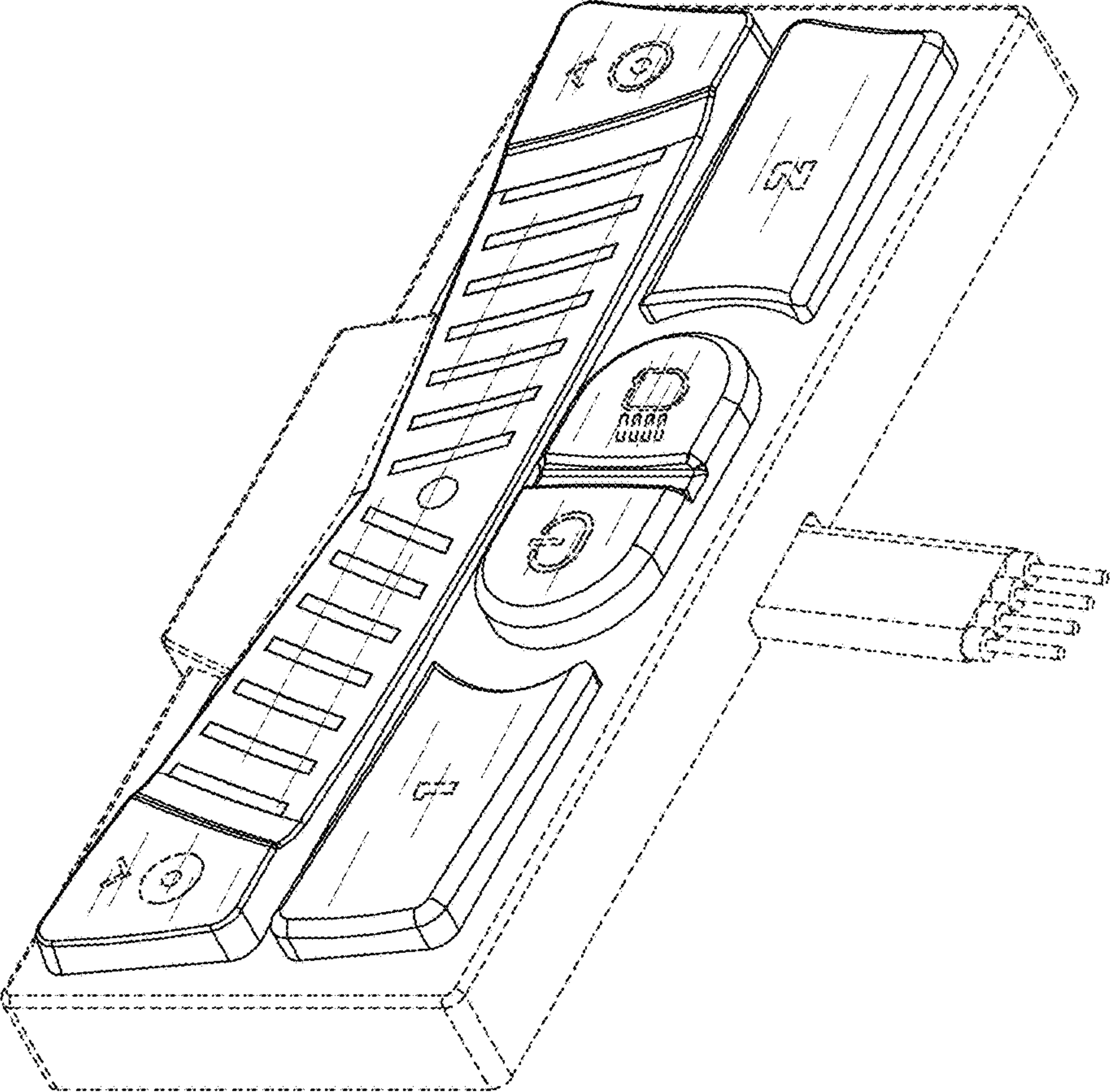


FIG. 58

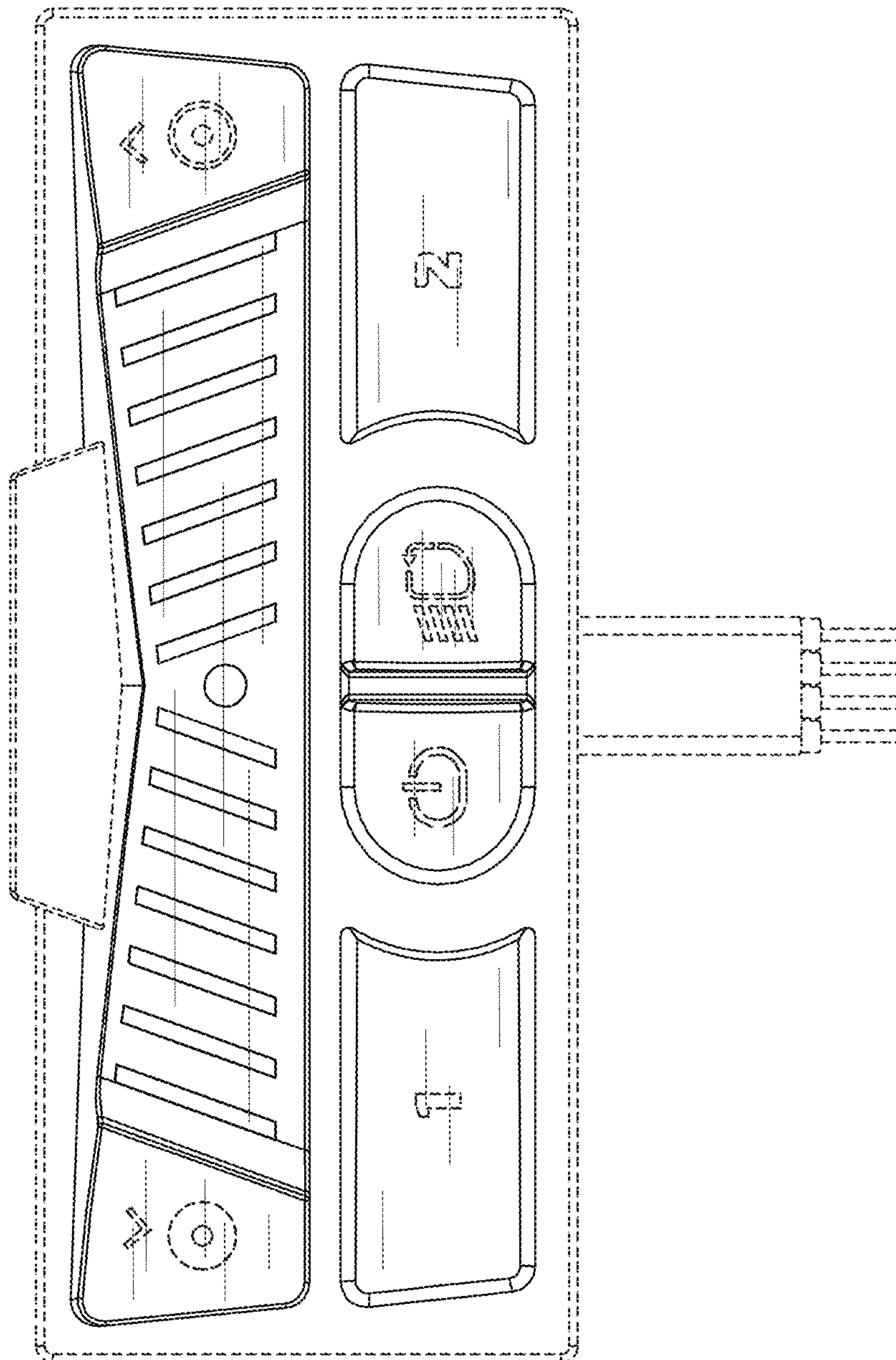


FIG. 59

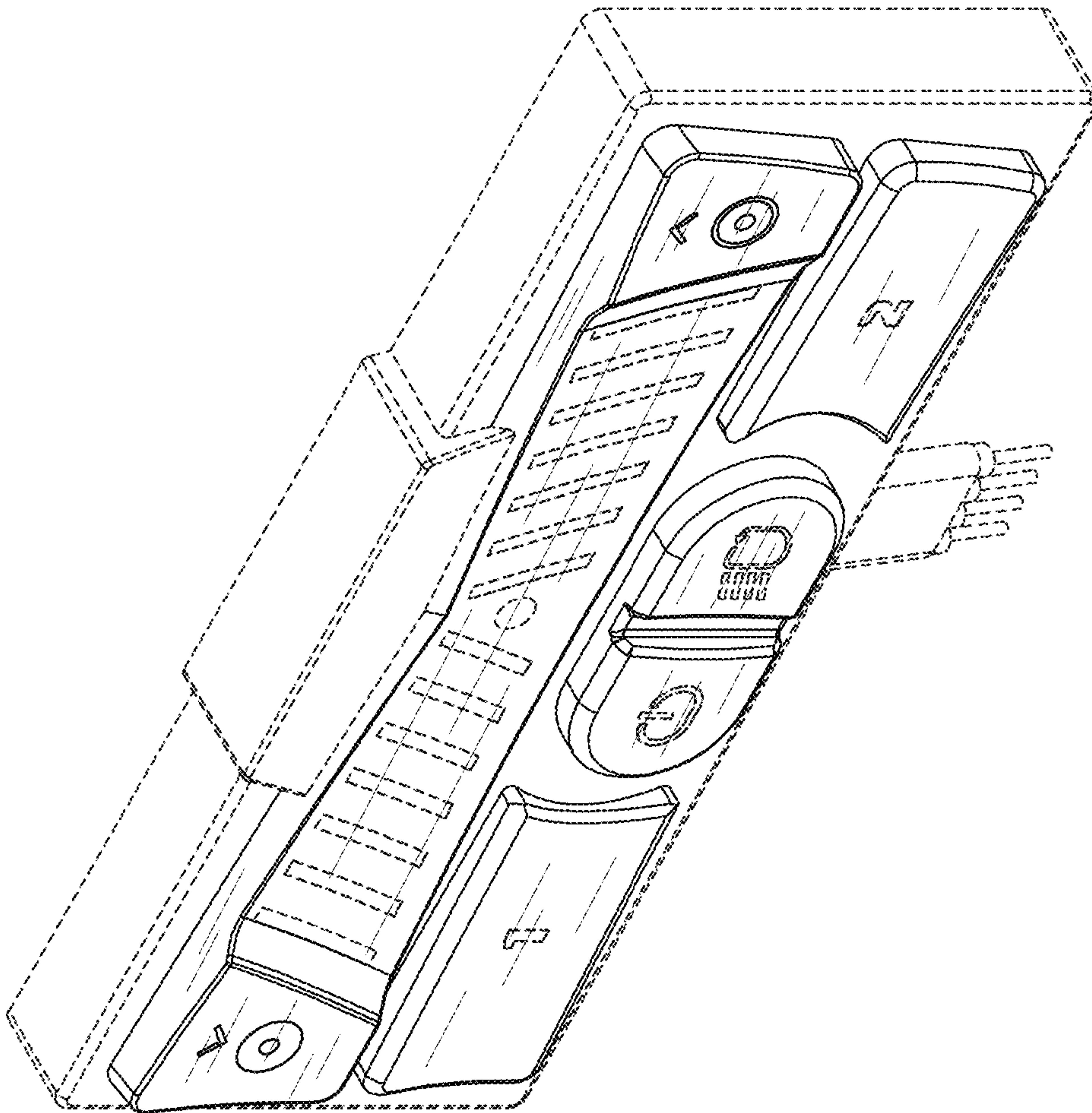


FIG. 60

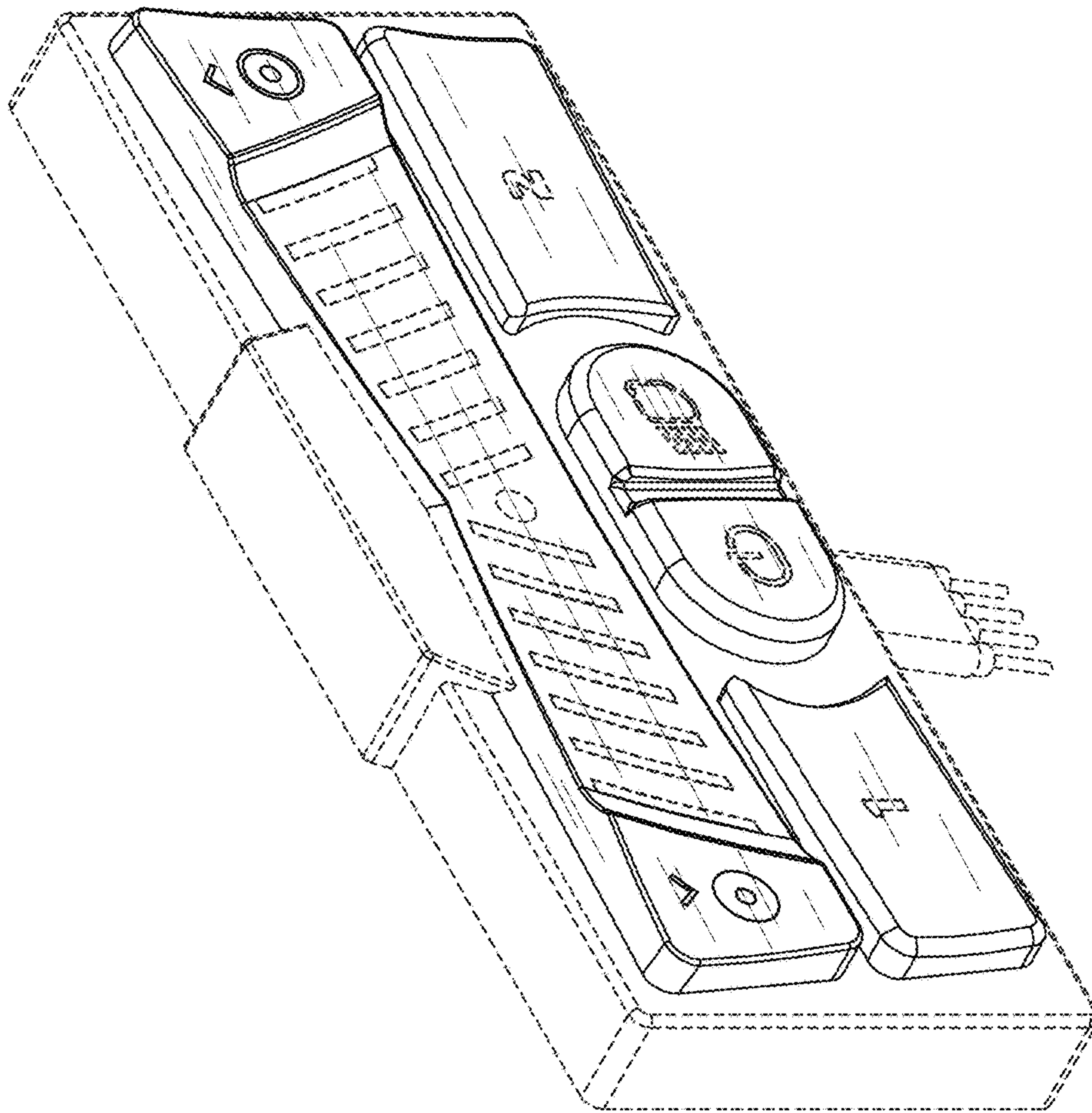


FIG. 61

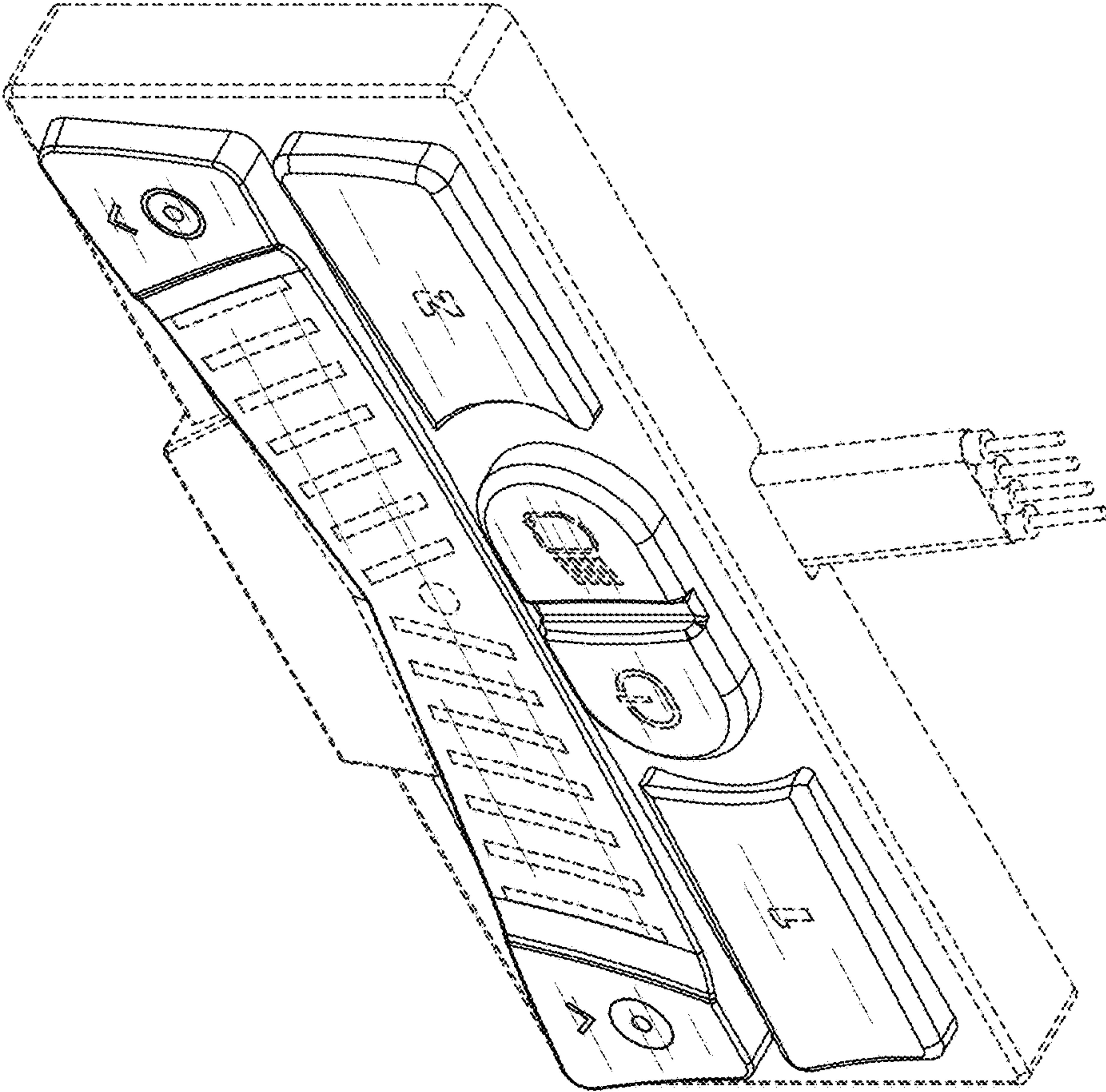


FIG. 62

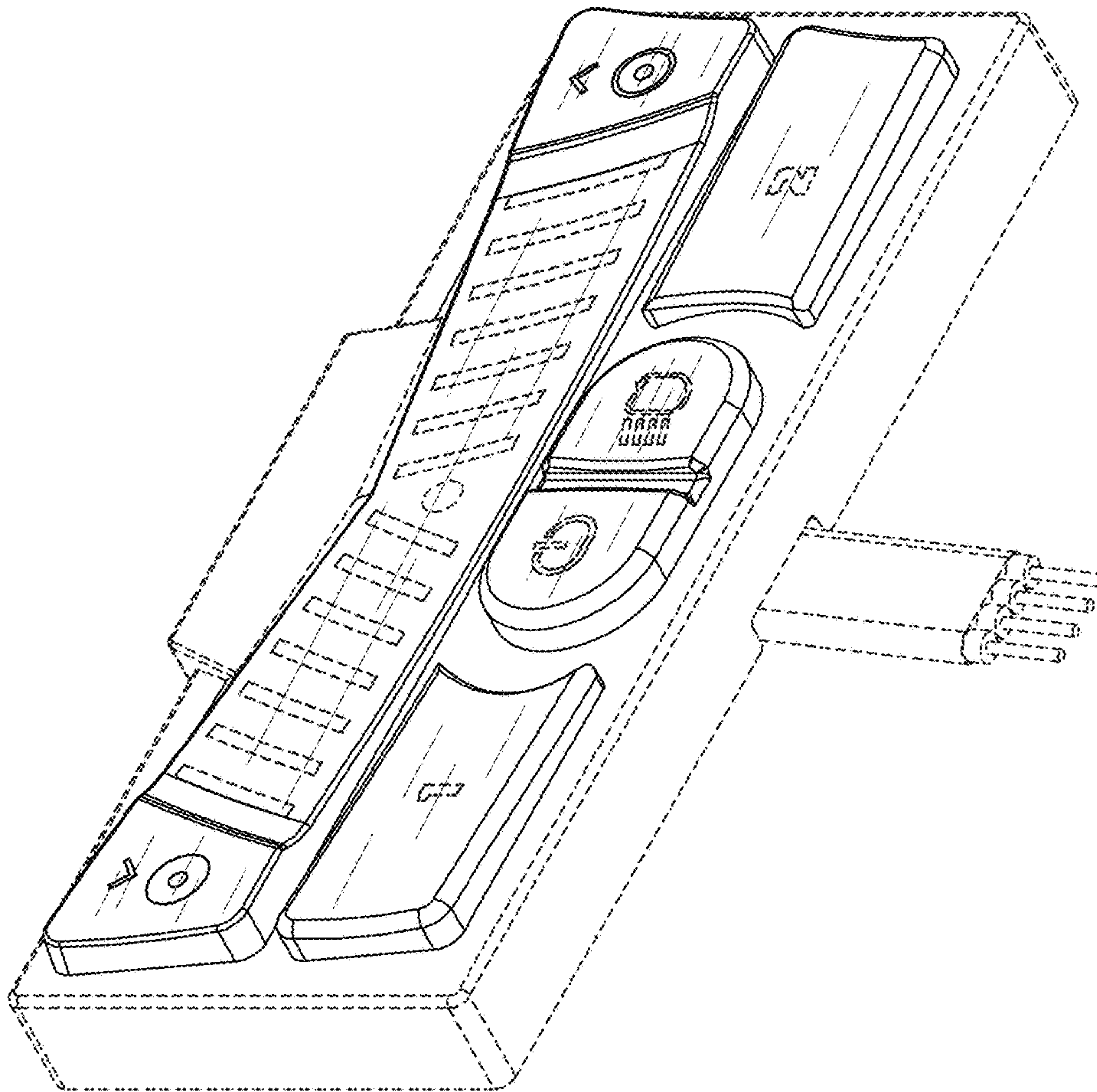


FIG. 63

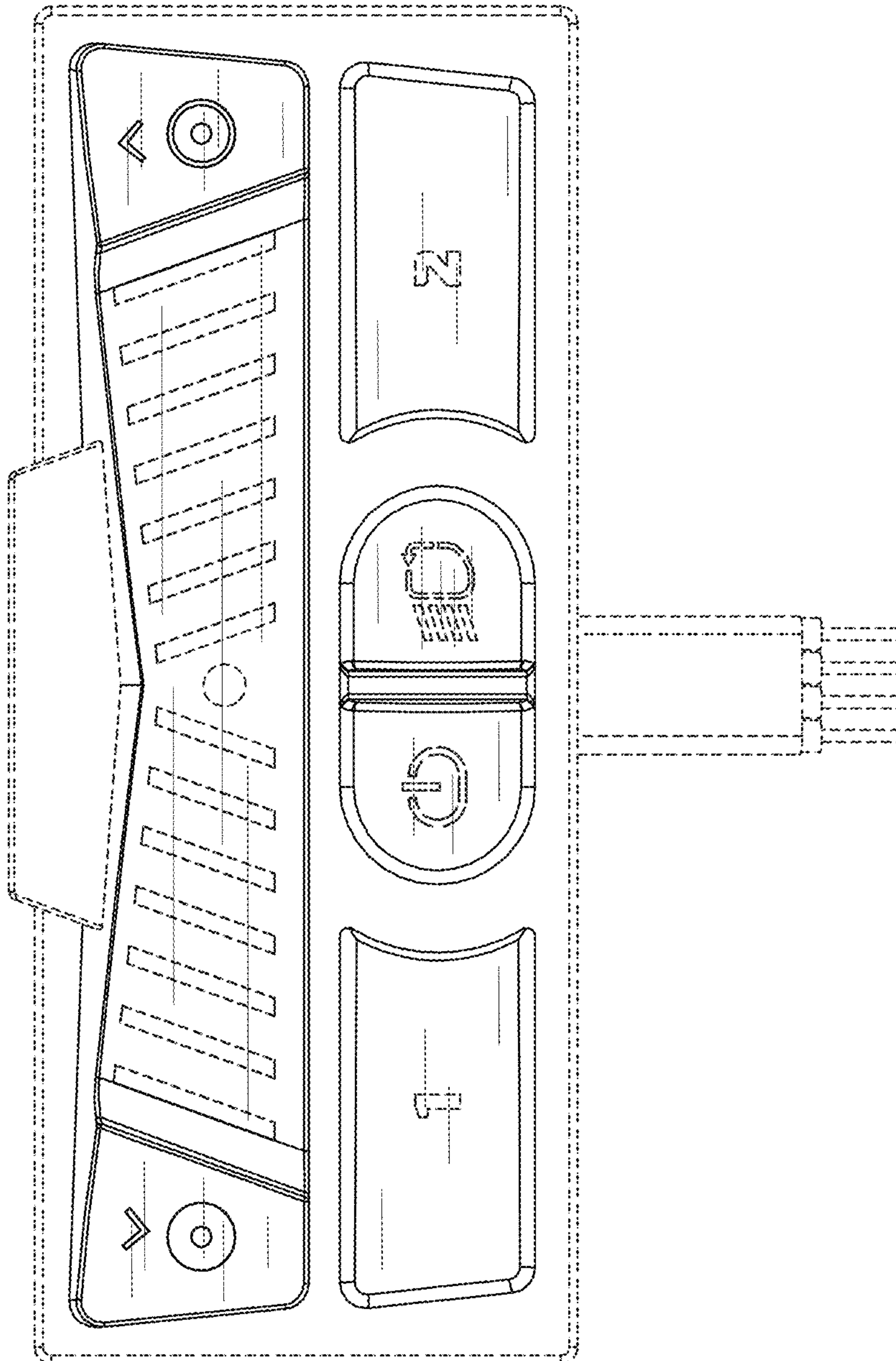


FIG. 64

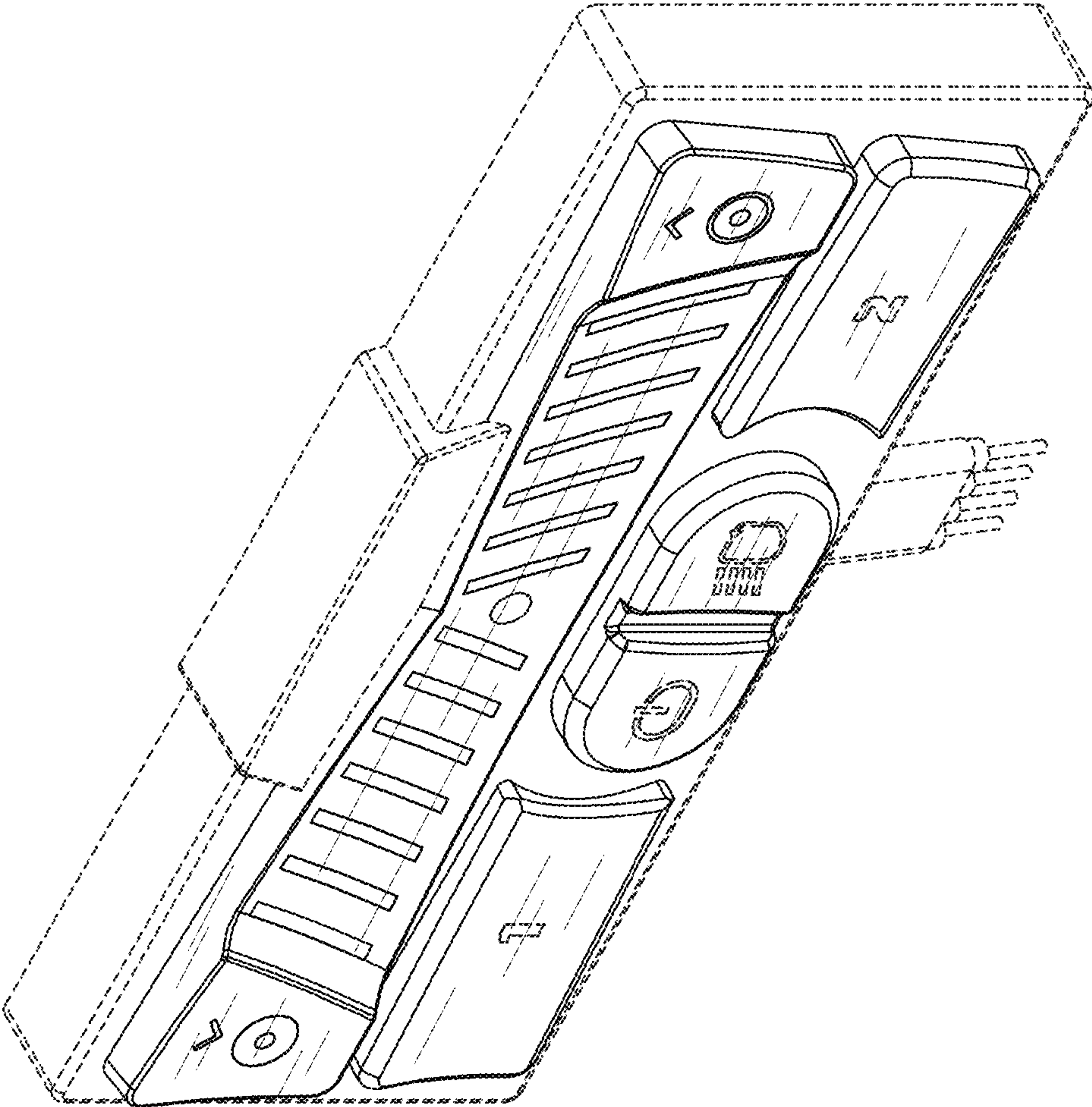


FIG. 65

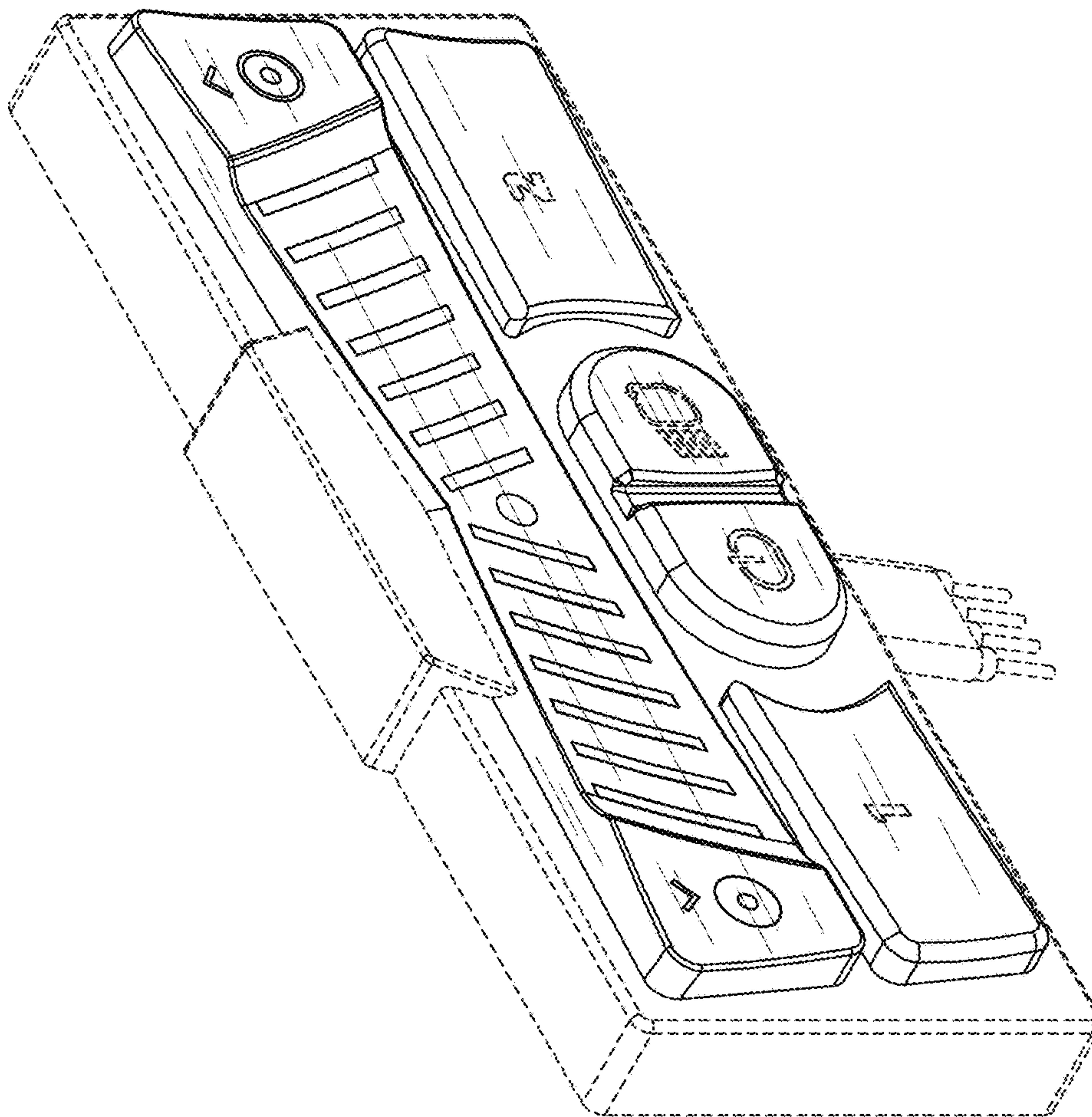


FIG. 66

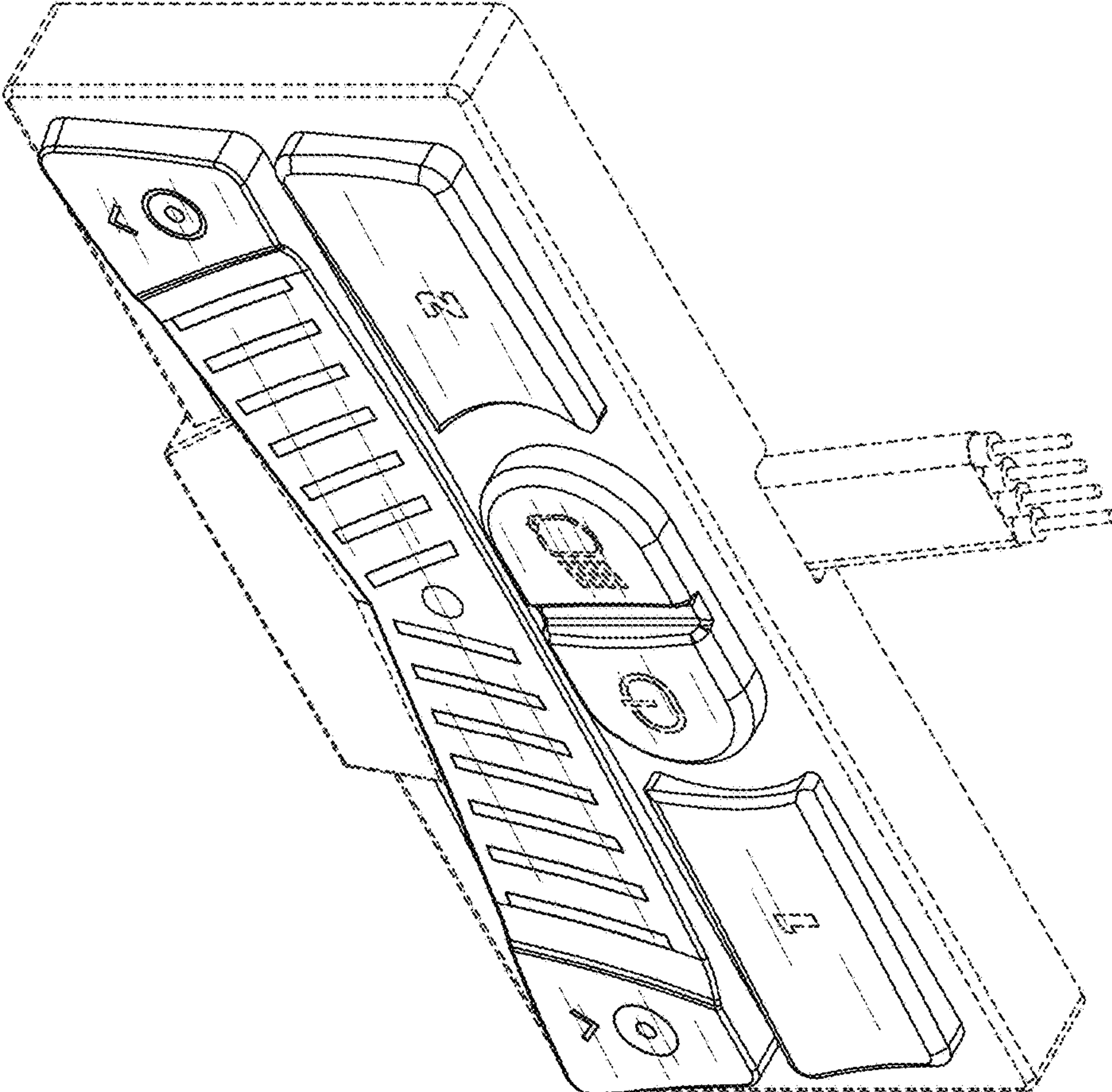


FIG. 67

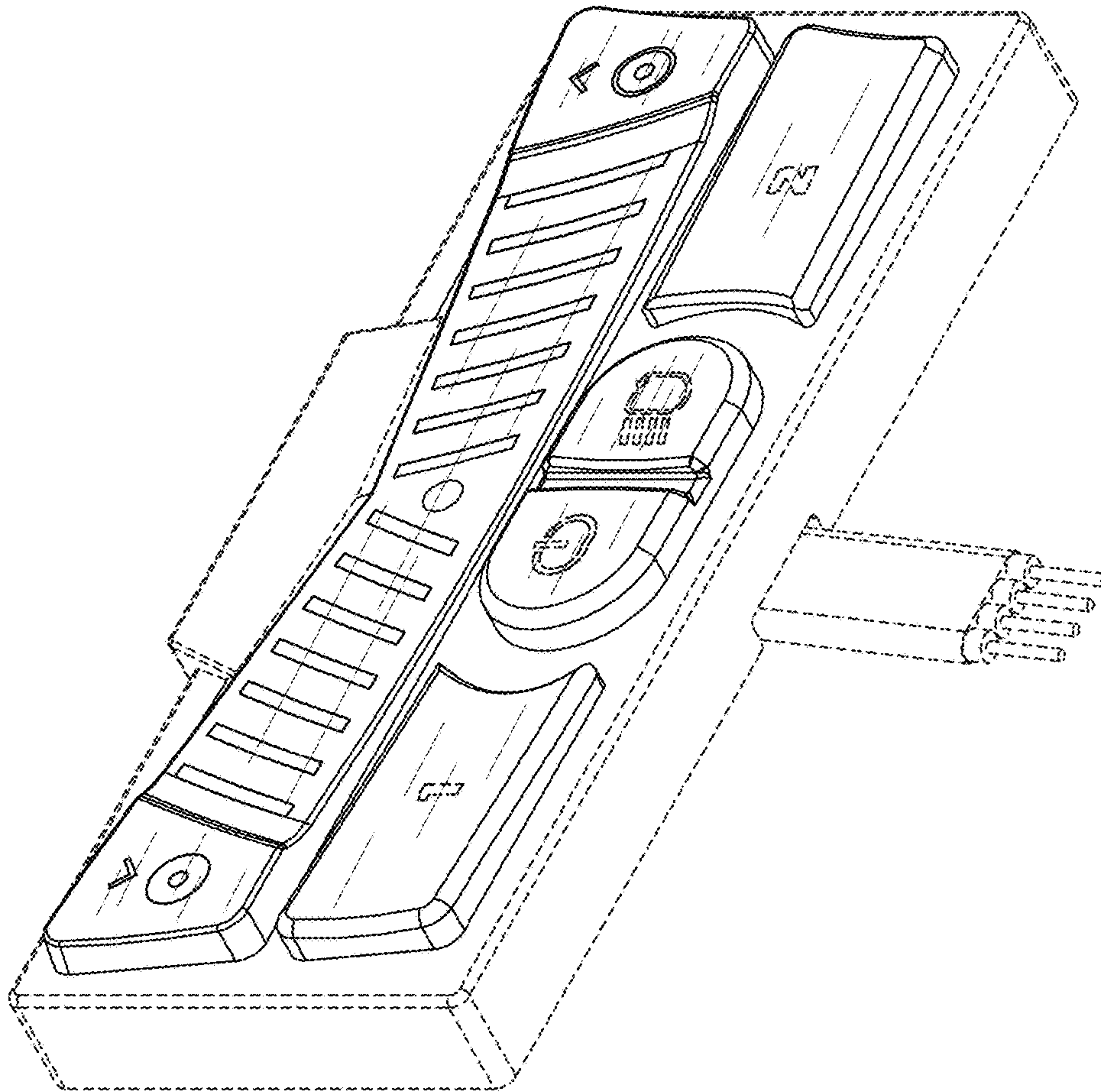


FIG. 68

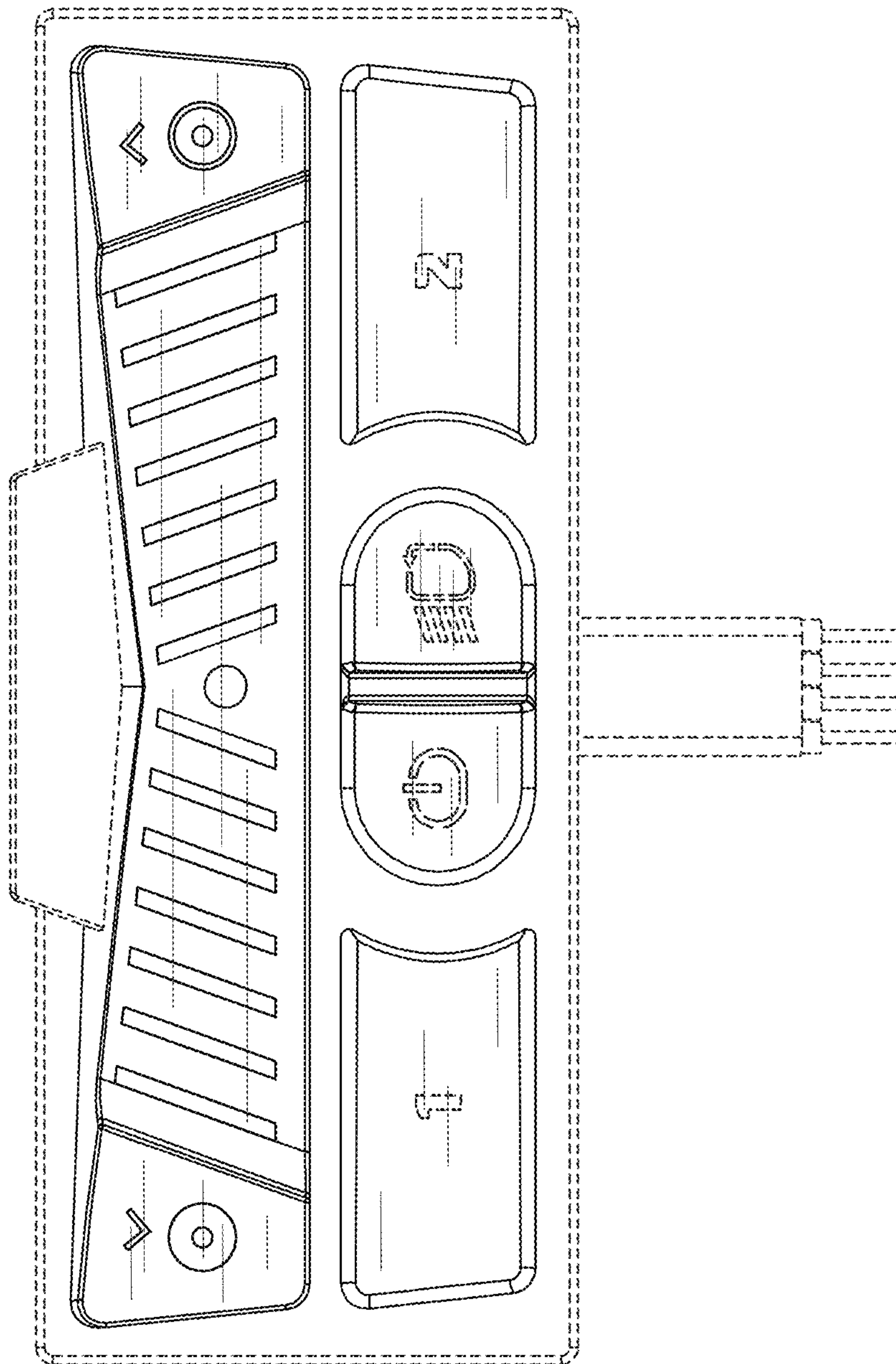


FIG. 69

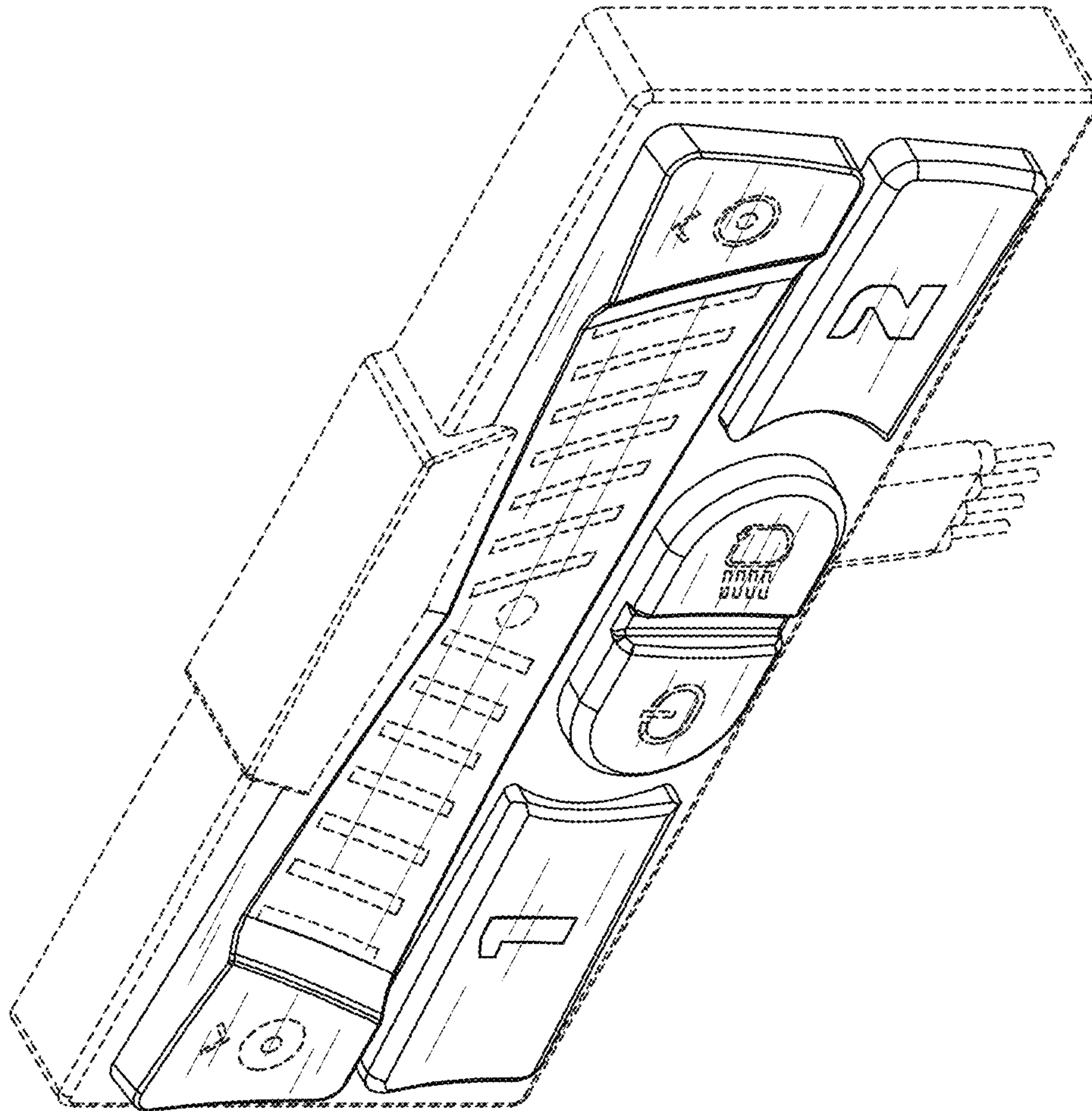


FIG. 70

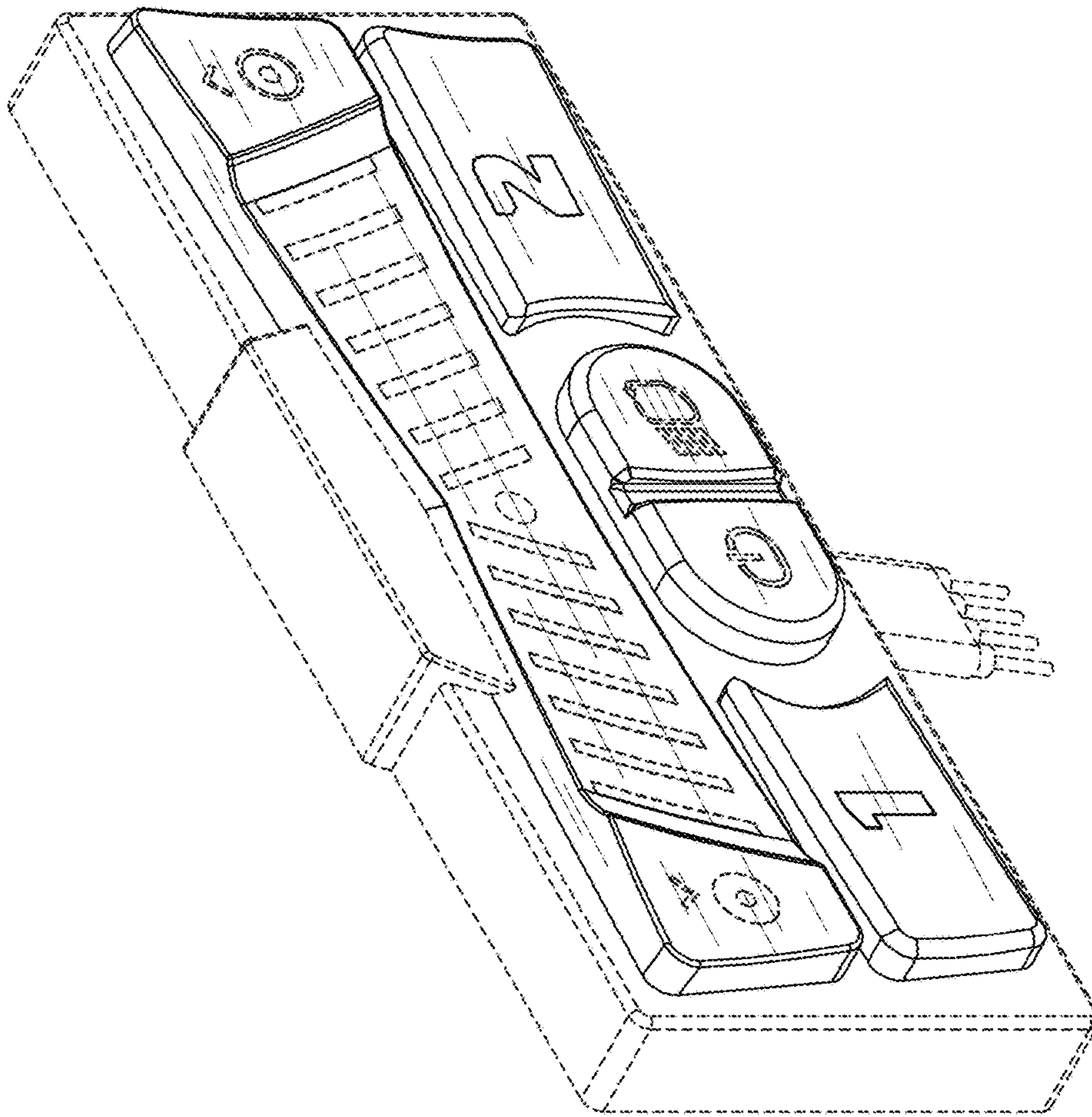


FIG. 71

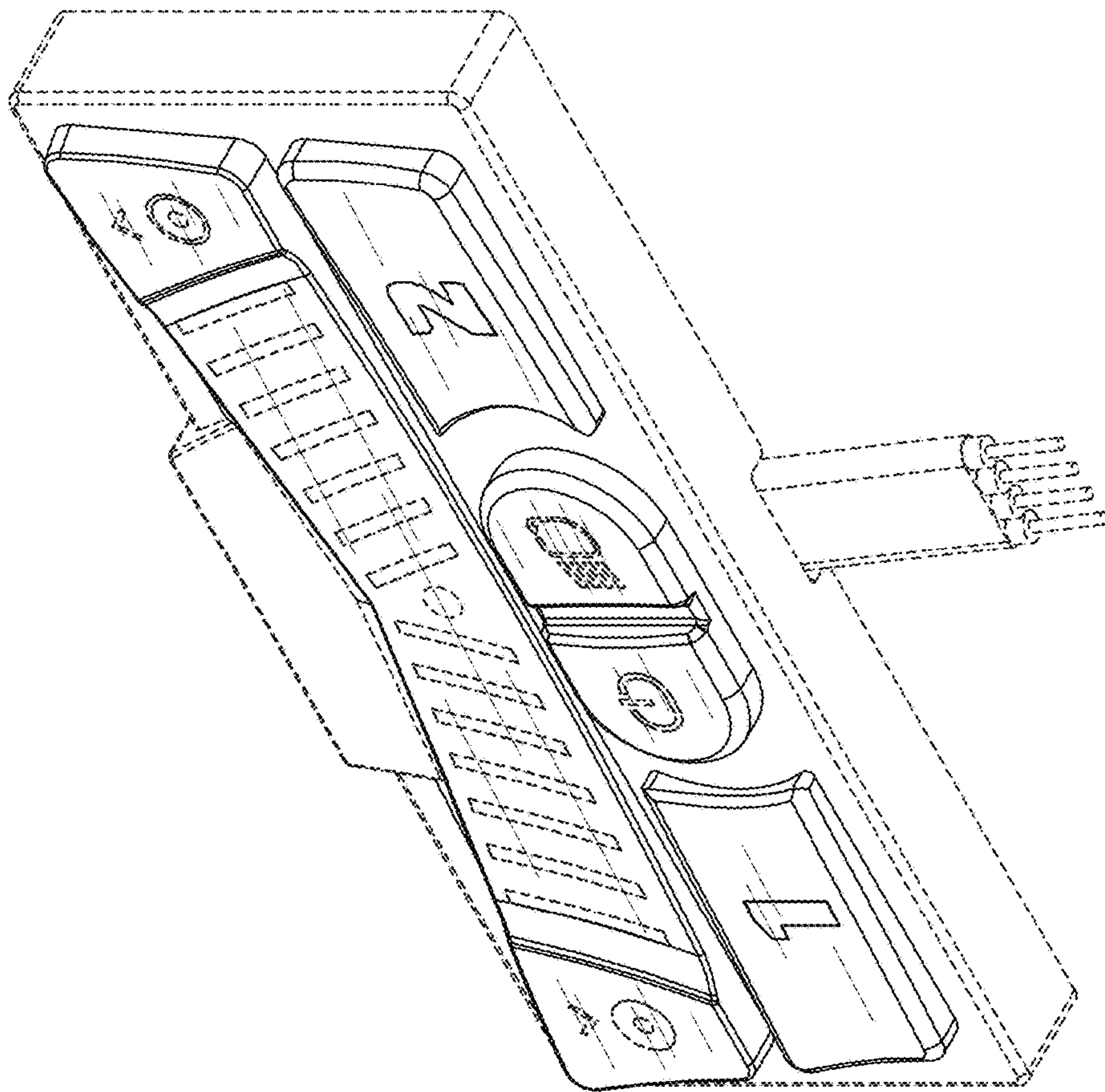


FIG. 72

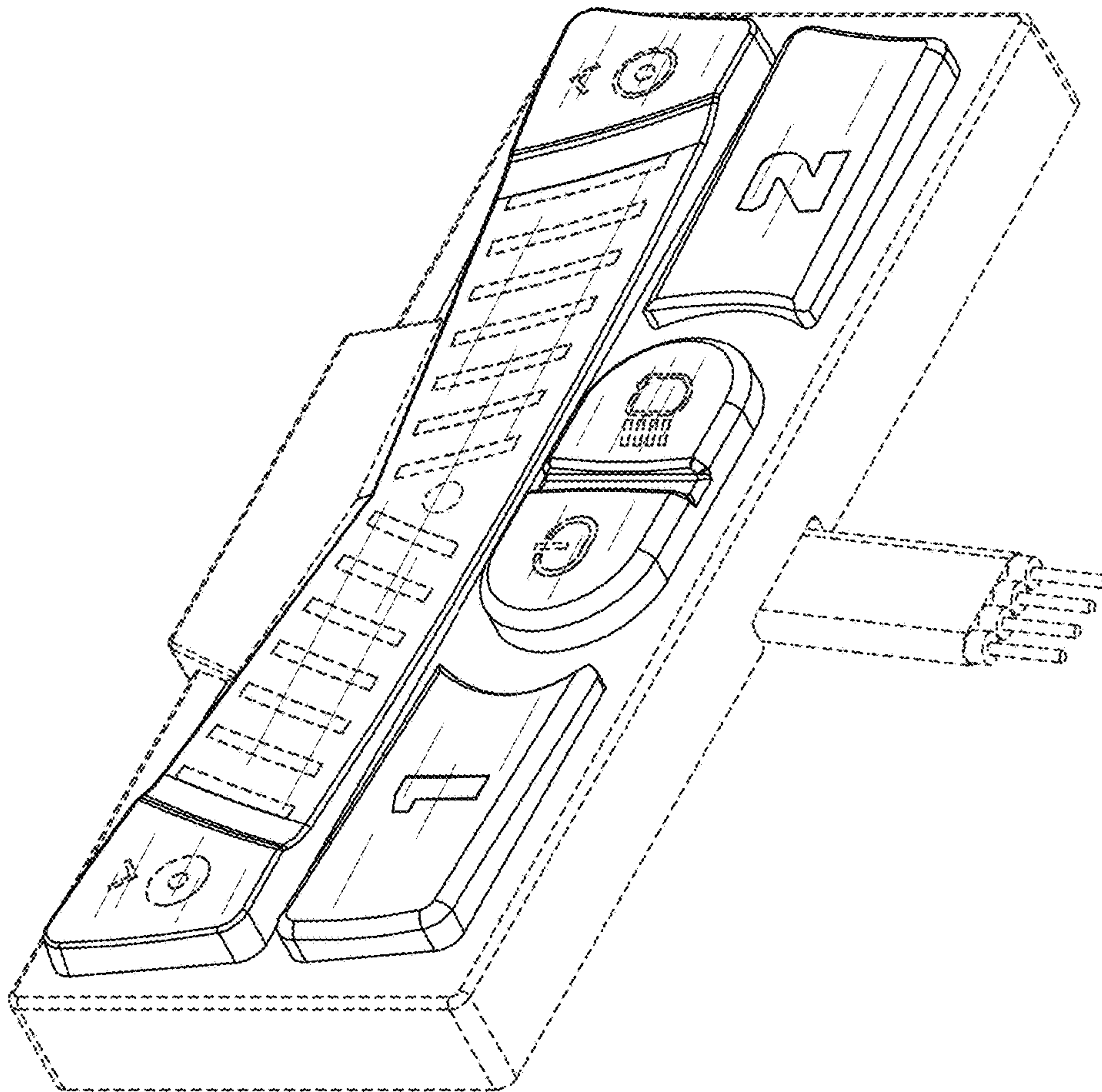


FIG. 73

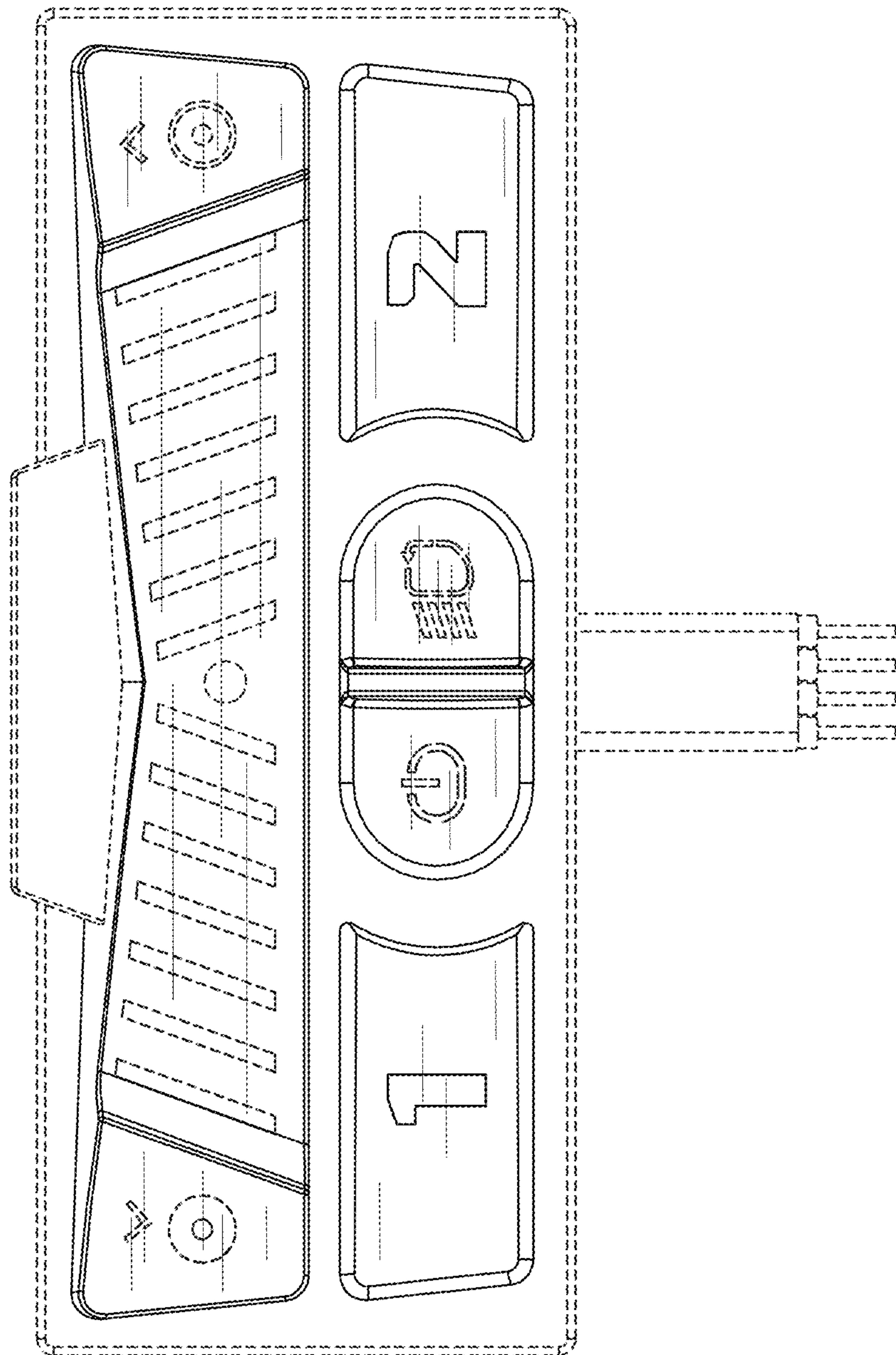


FIG. 74

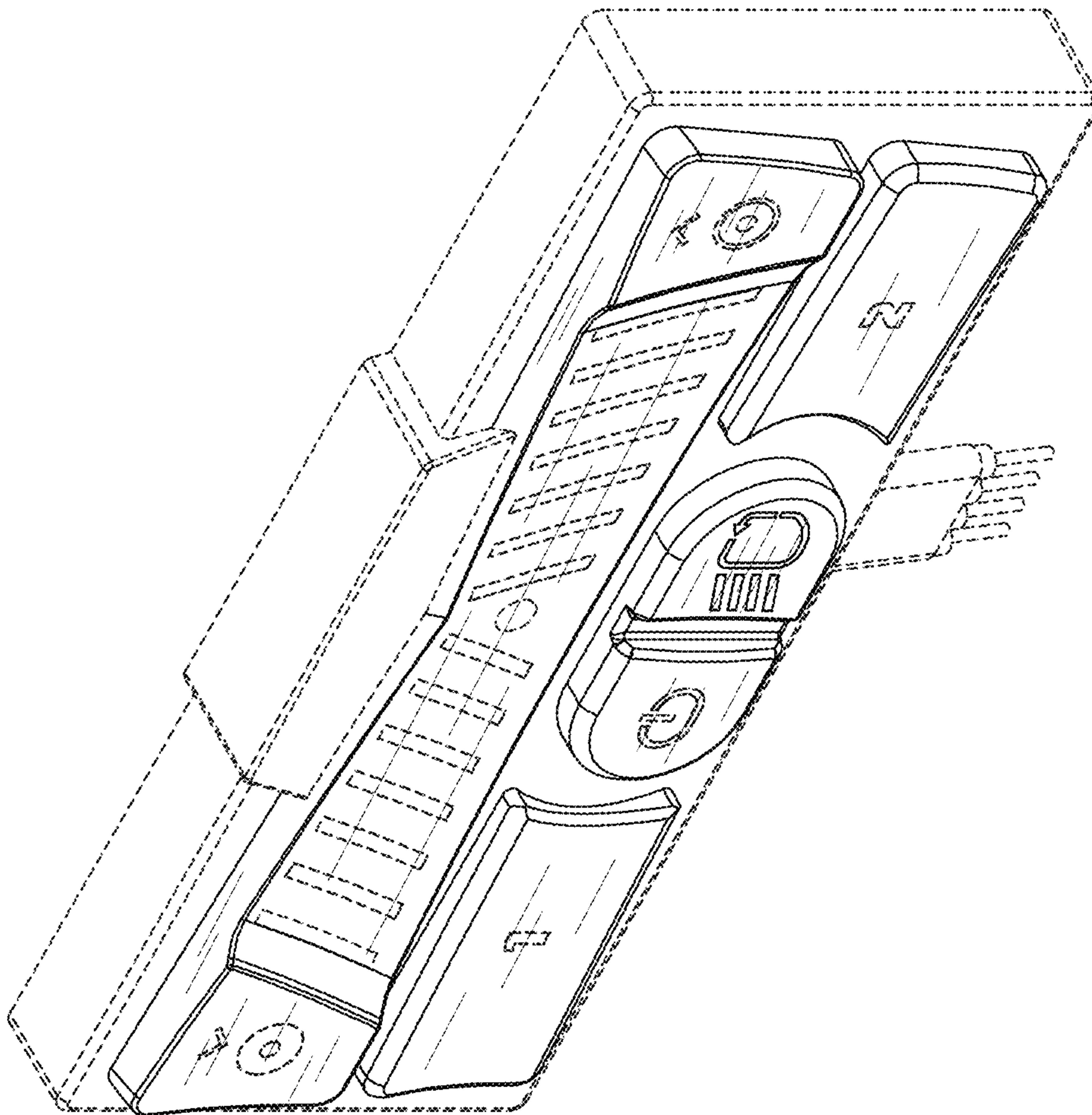


FIG. 75

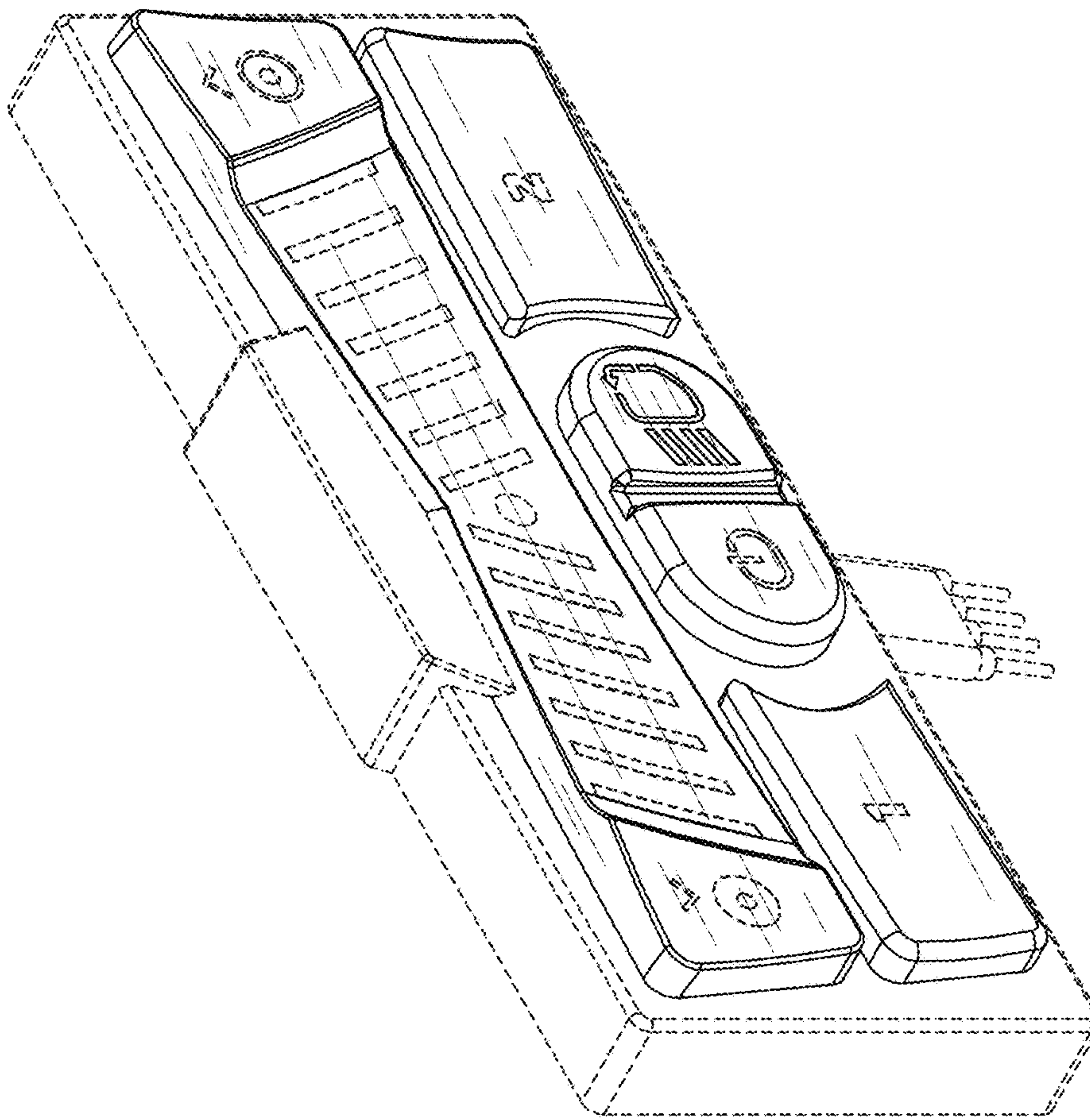


FIG. 76

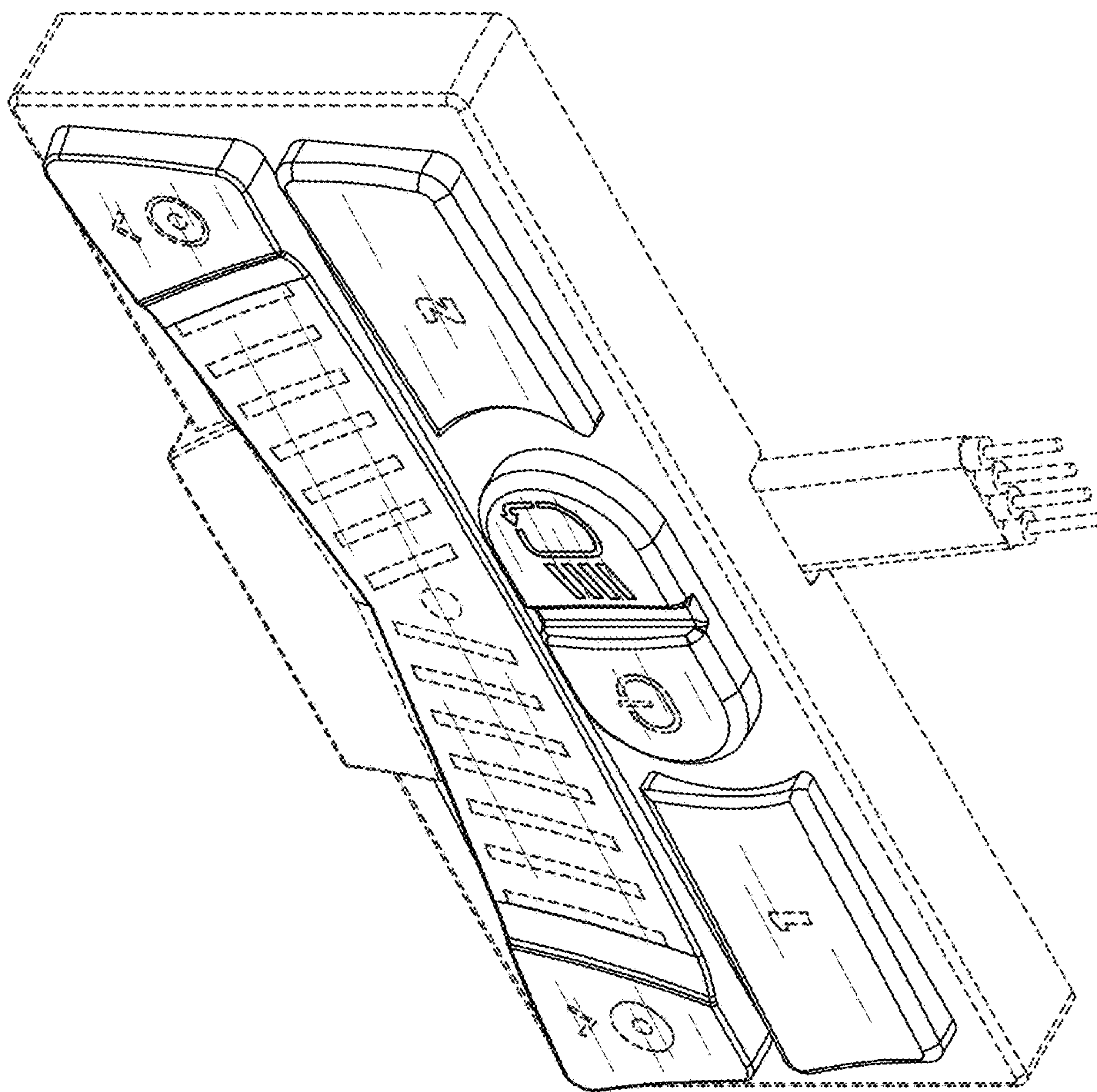


FIG. 77

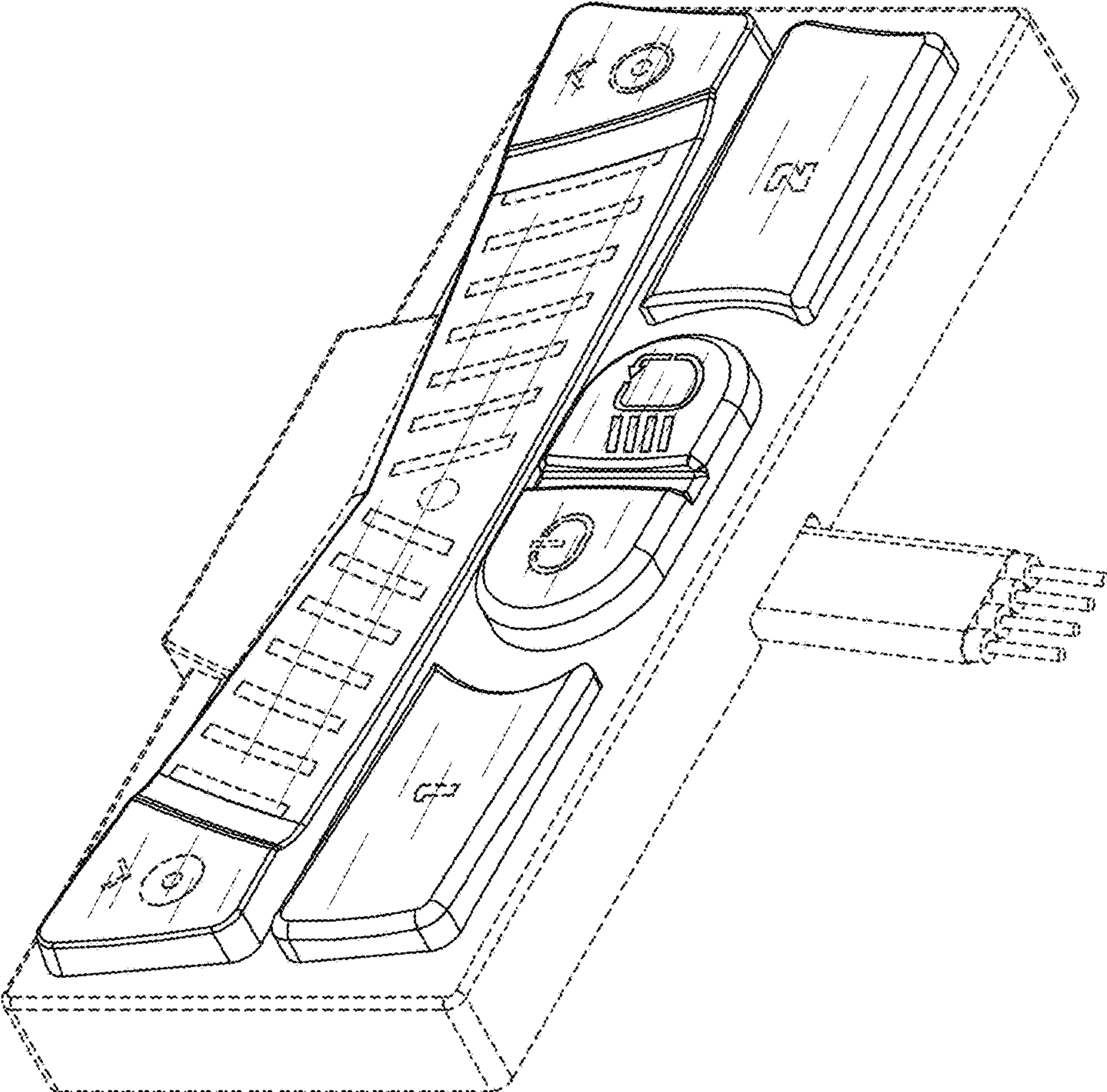


FIG. 78

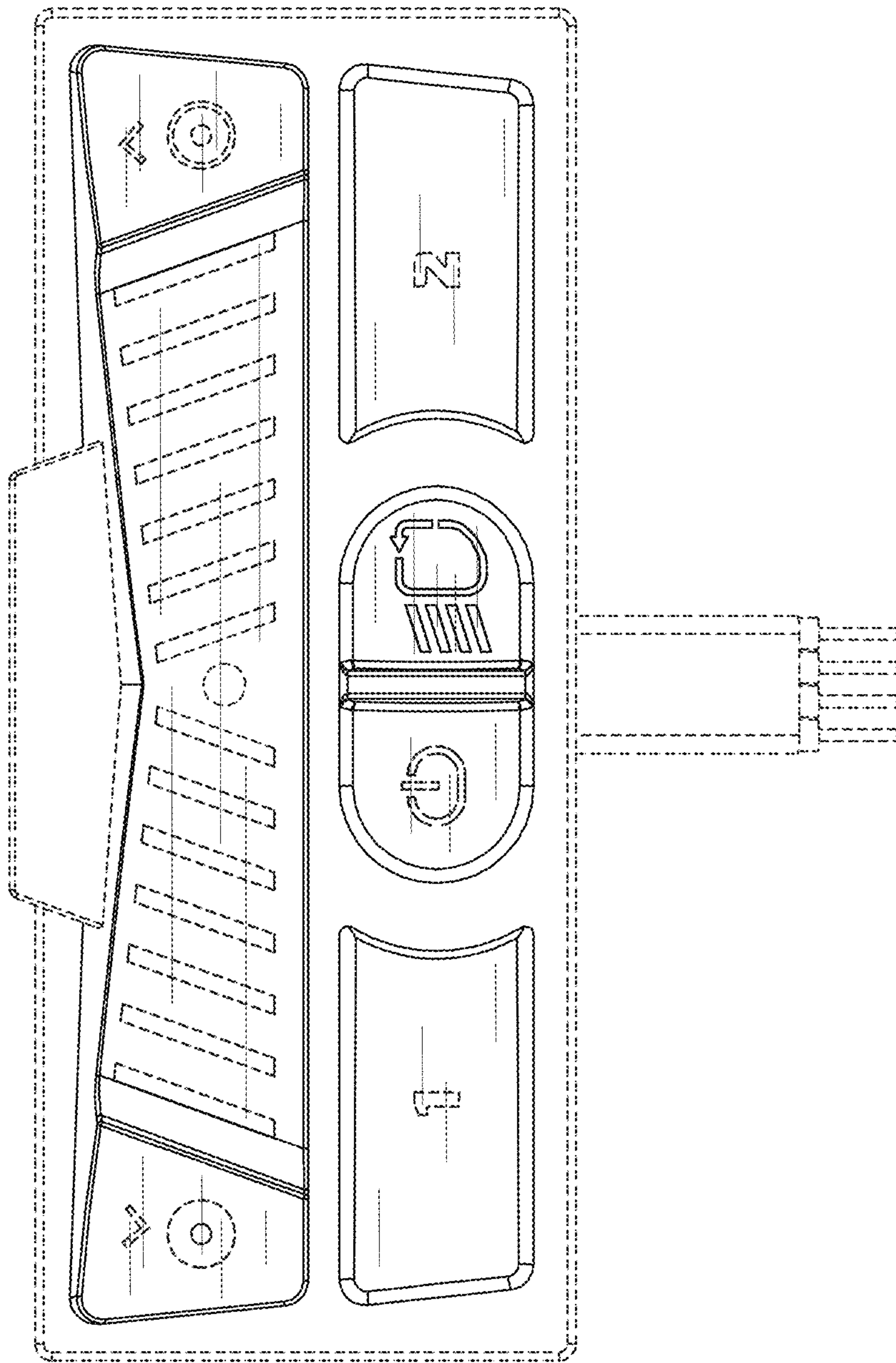


FIG. 79

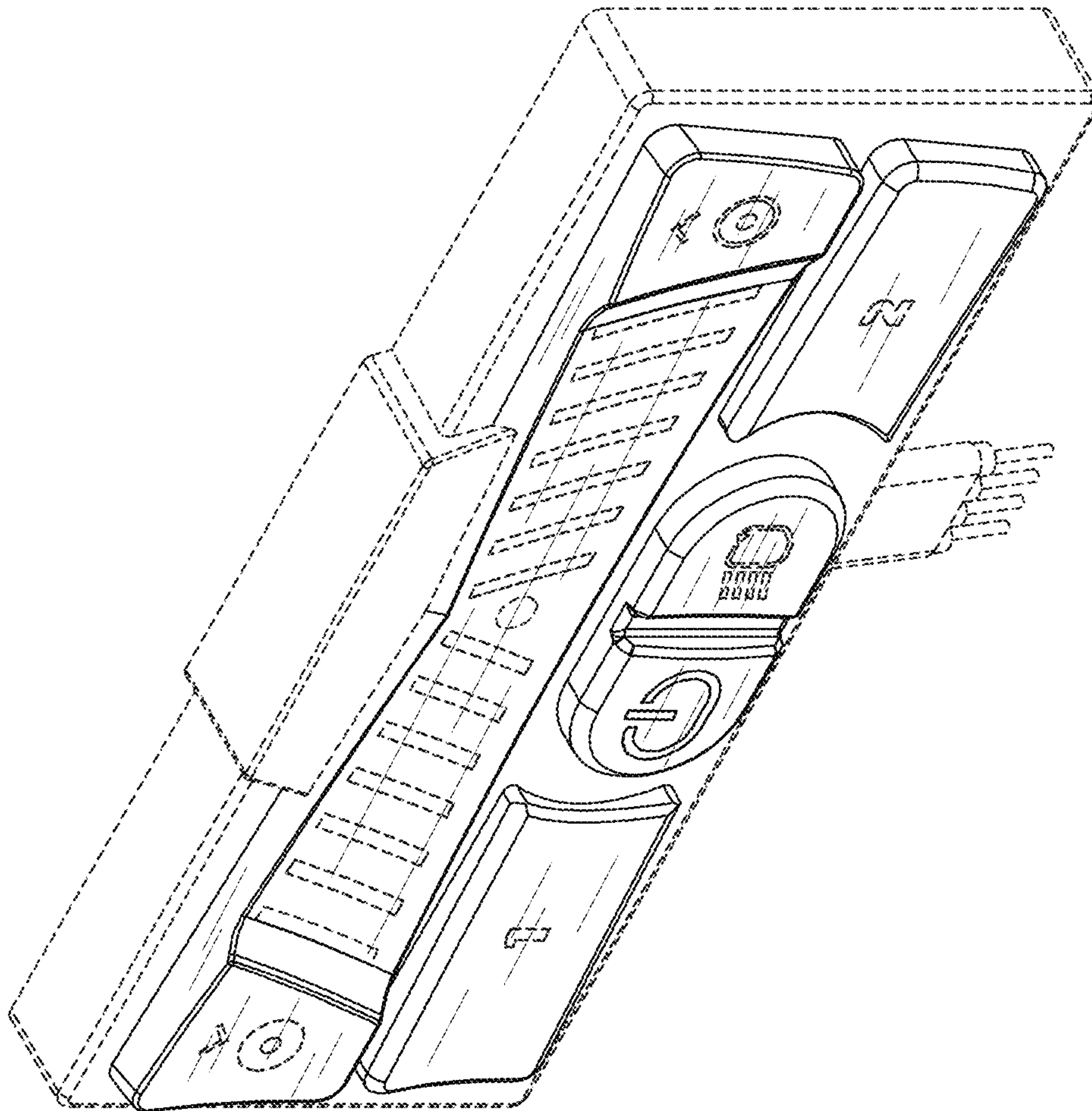


FIG. 80

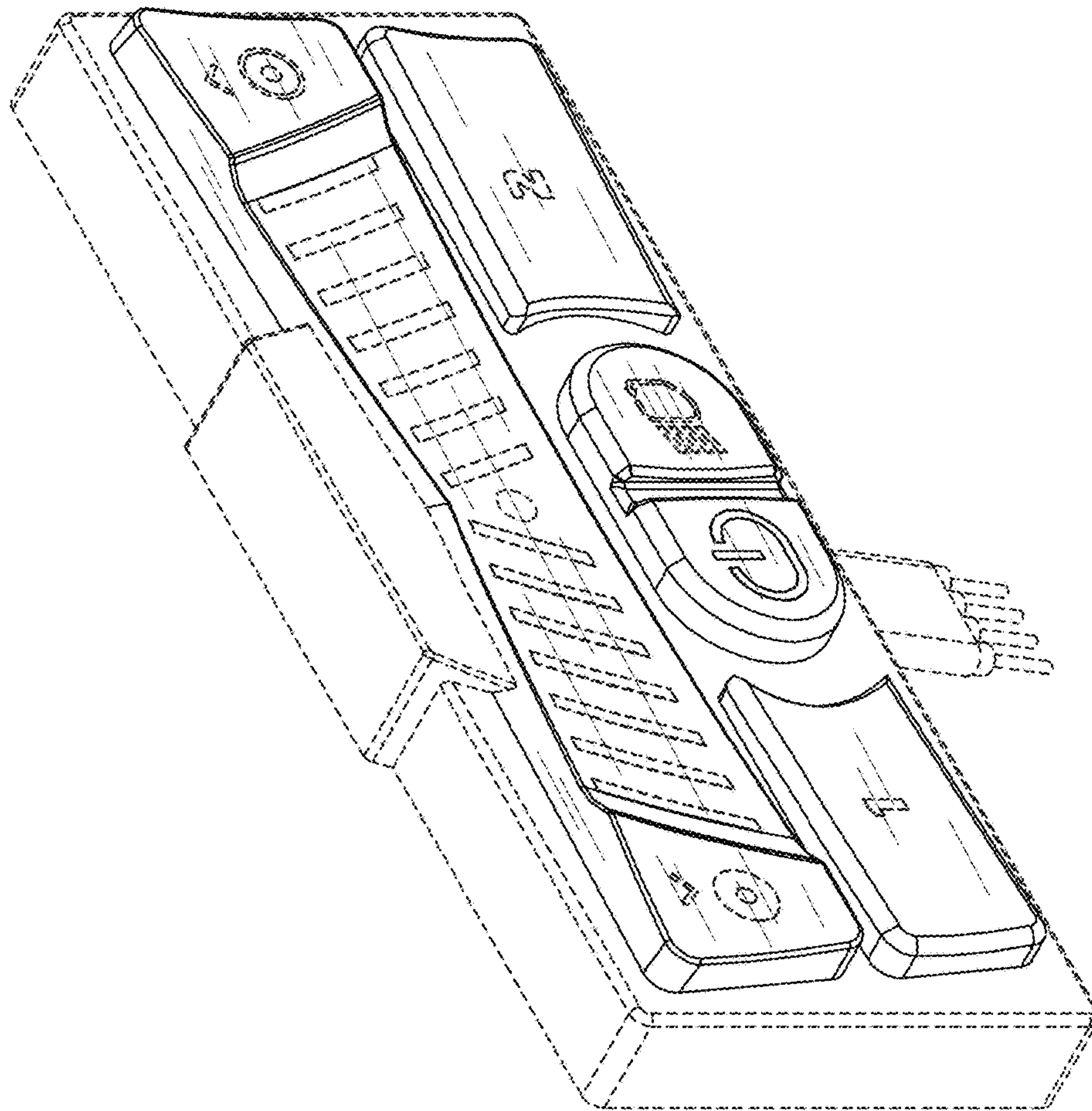


FIG. 81

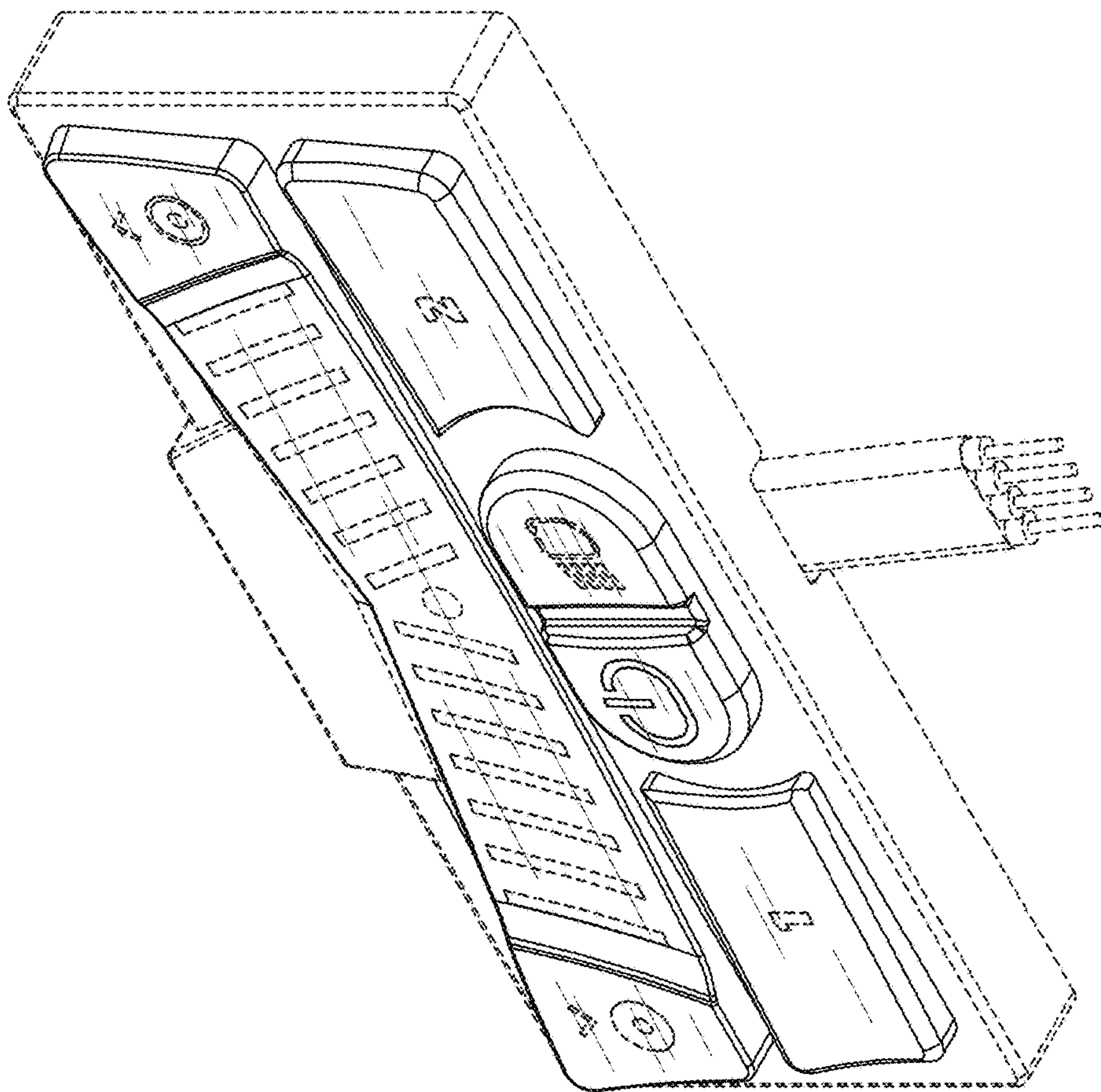


FIG. 82

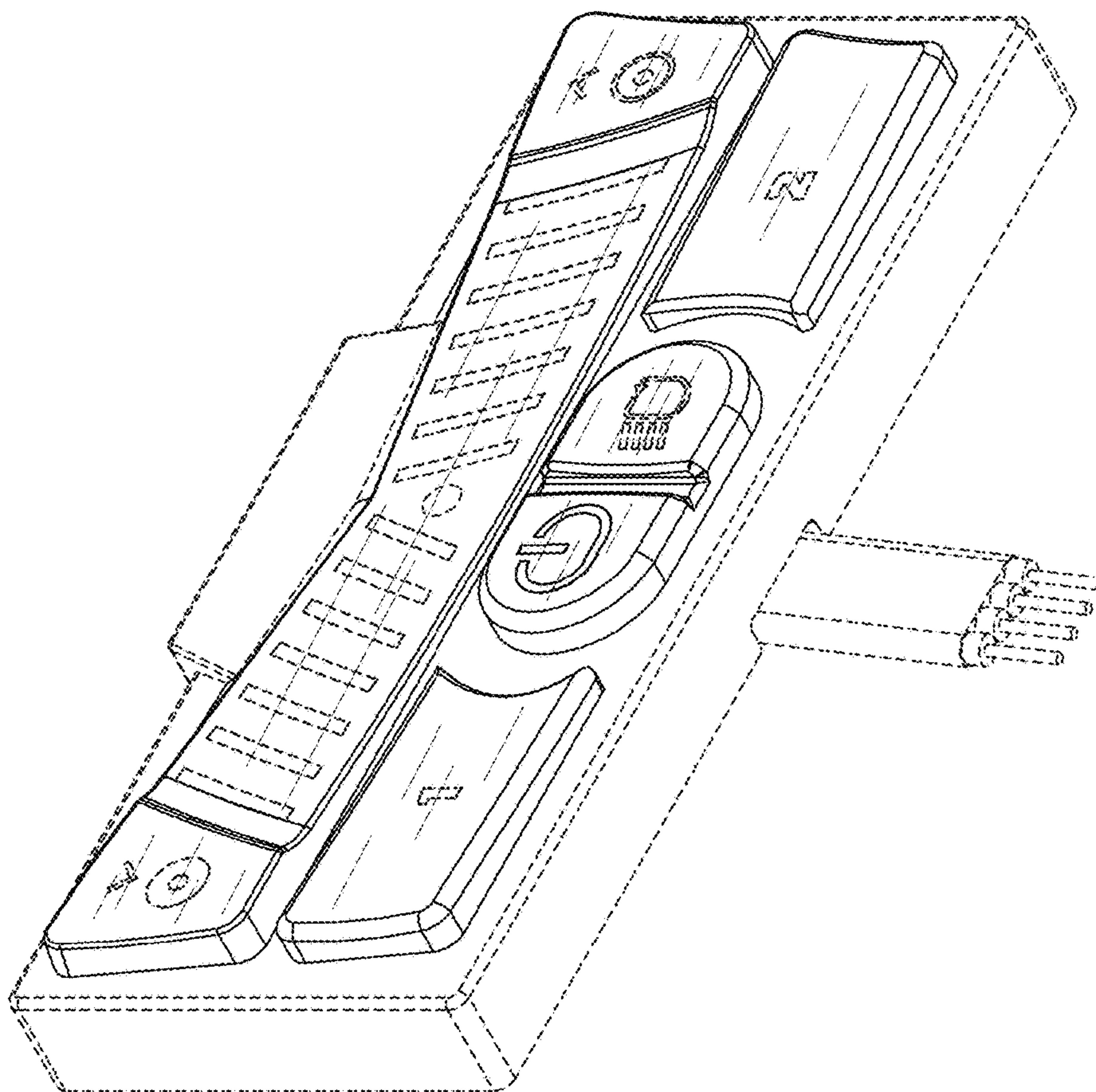


FIG. 83

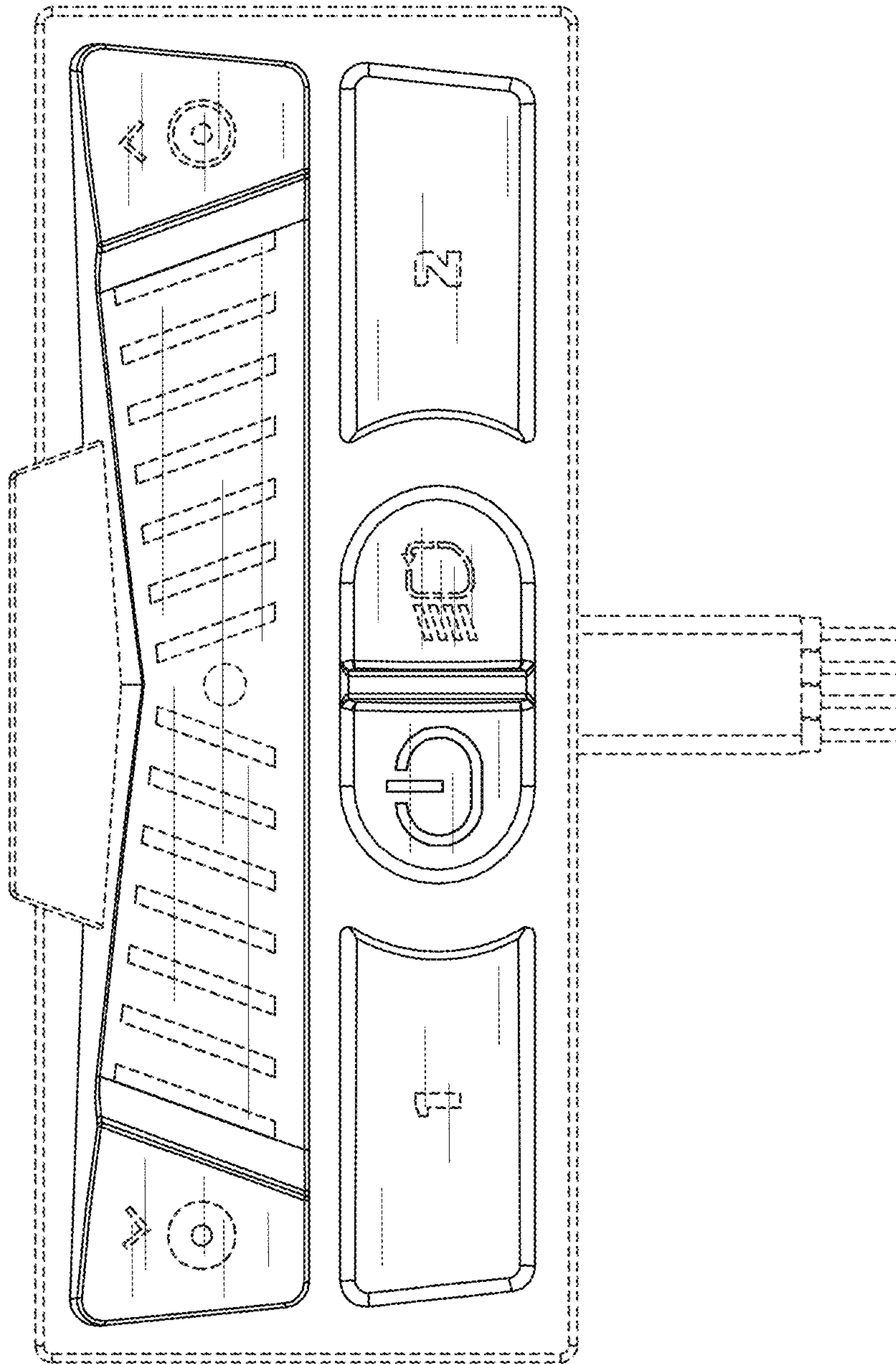


FIG. 84

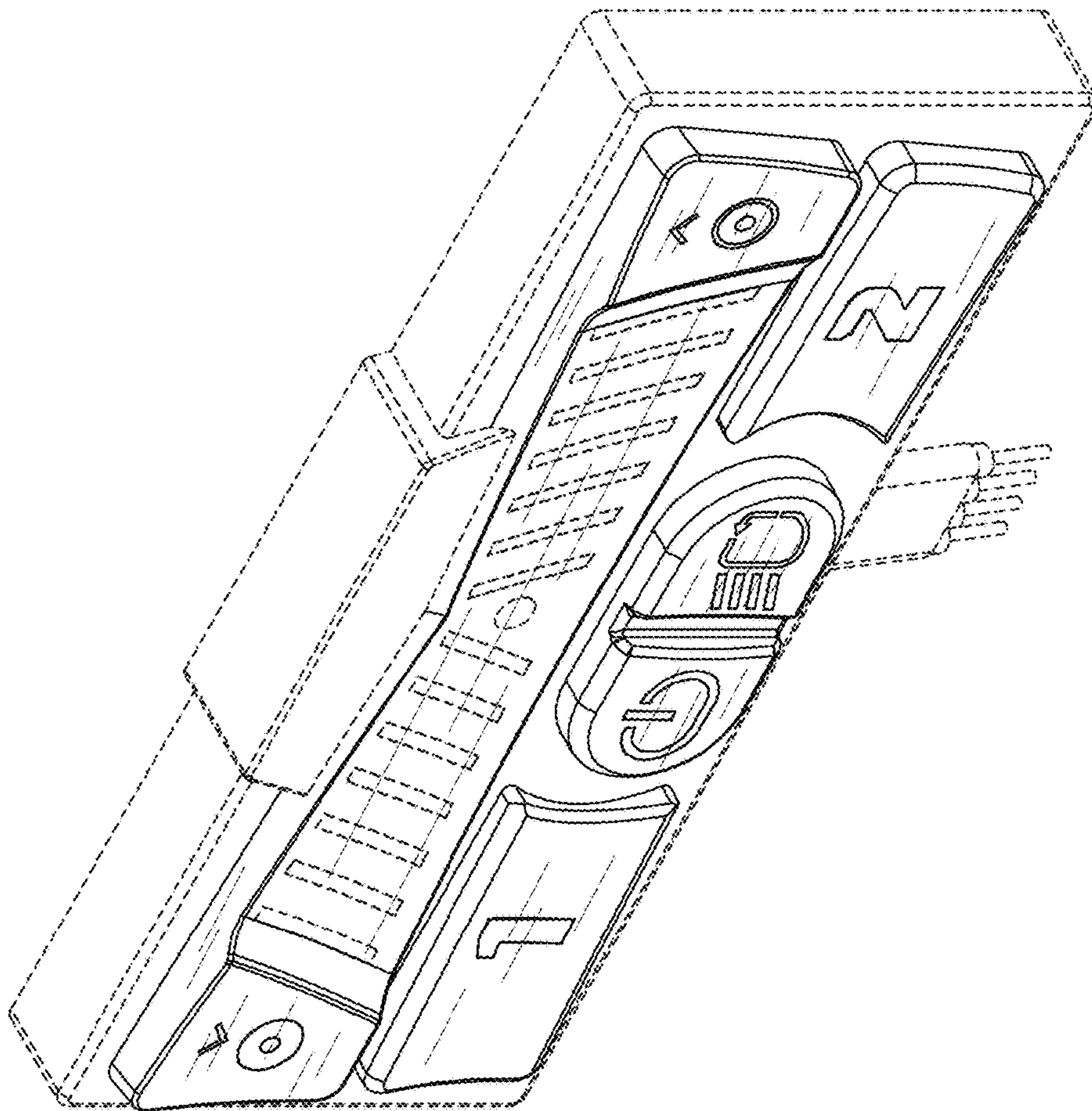


FIG. 85

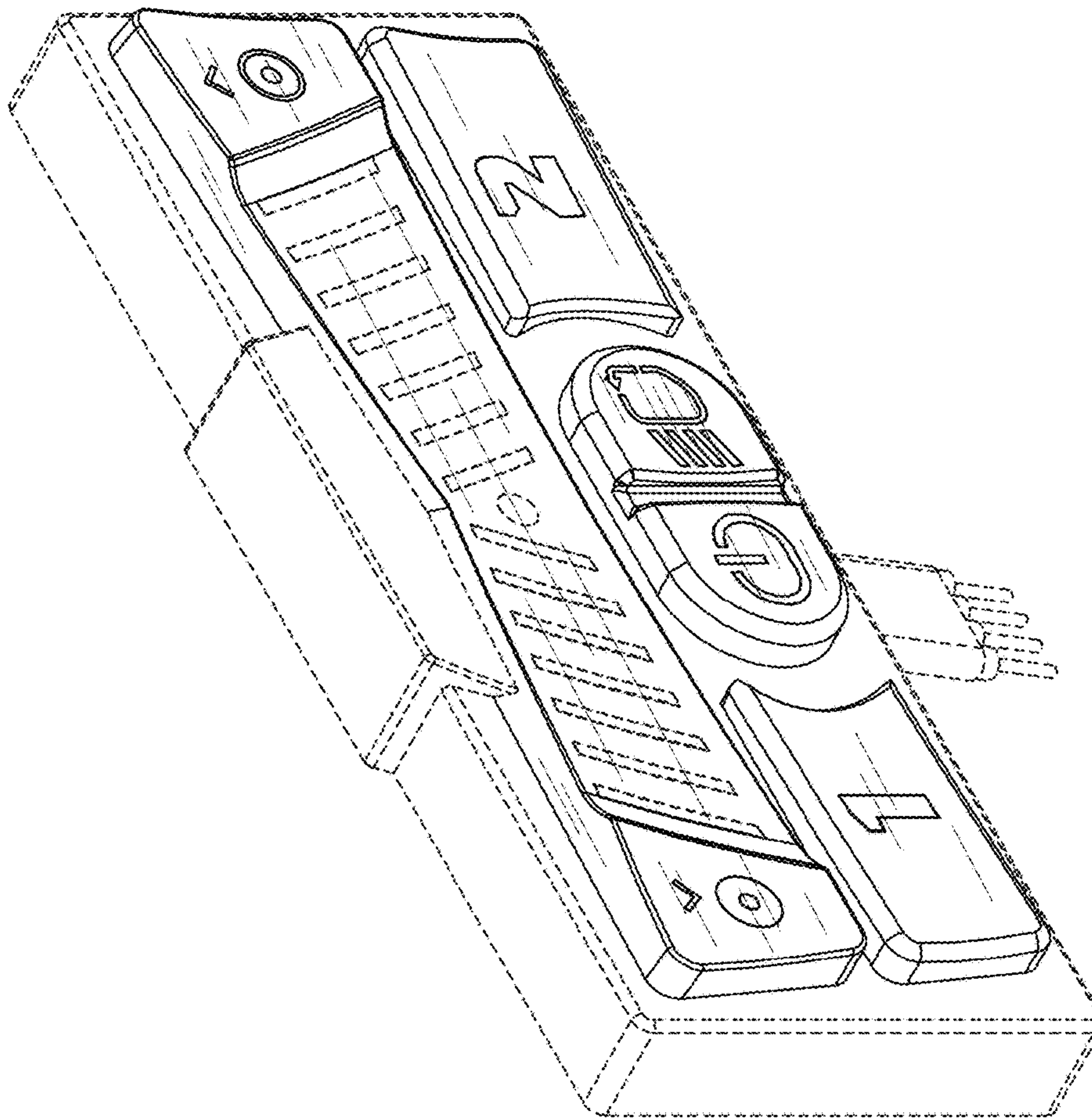


FIG. 86

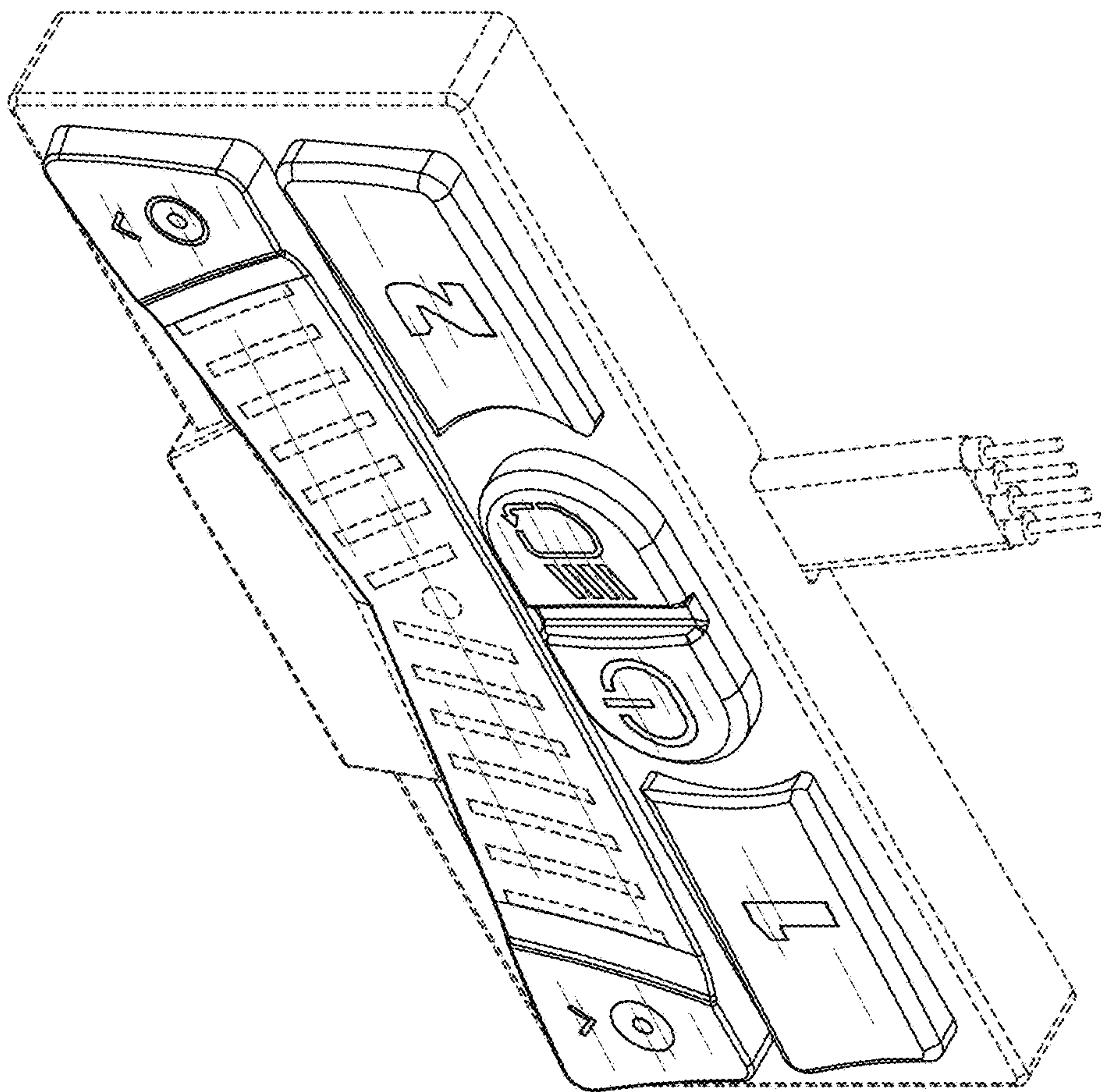


FIG. 87

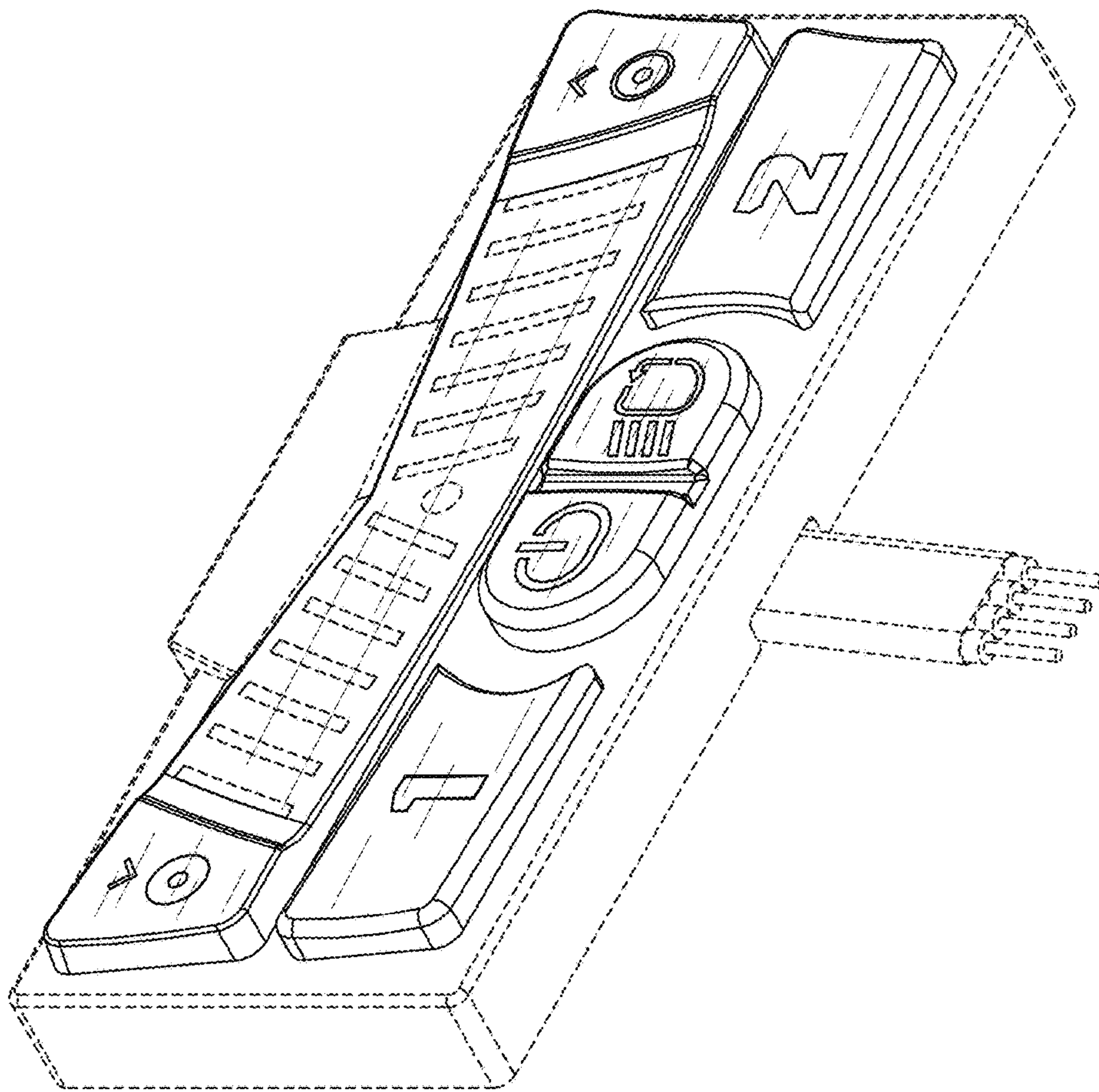


FIG. 88

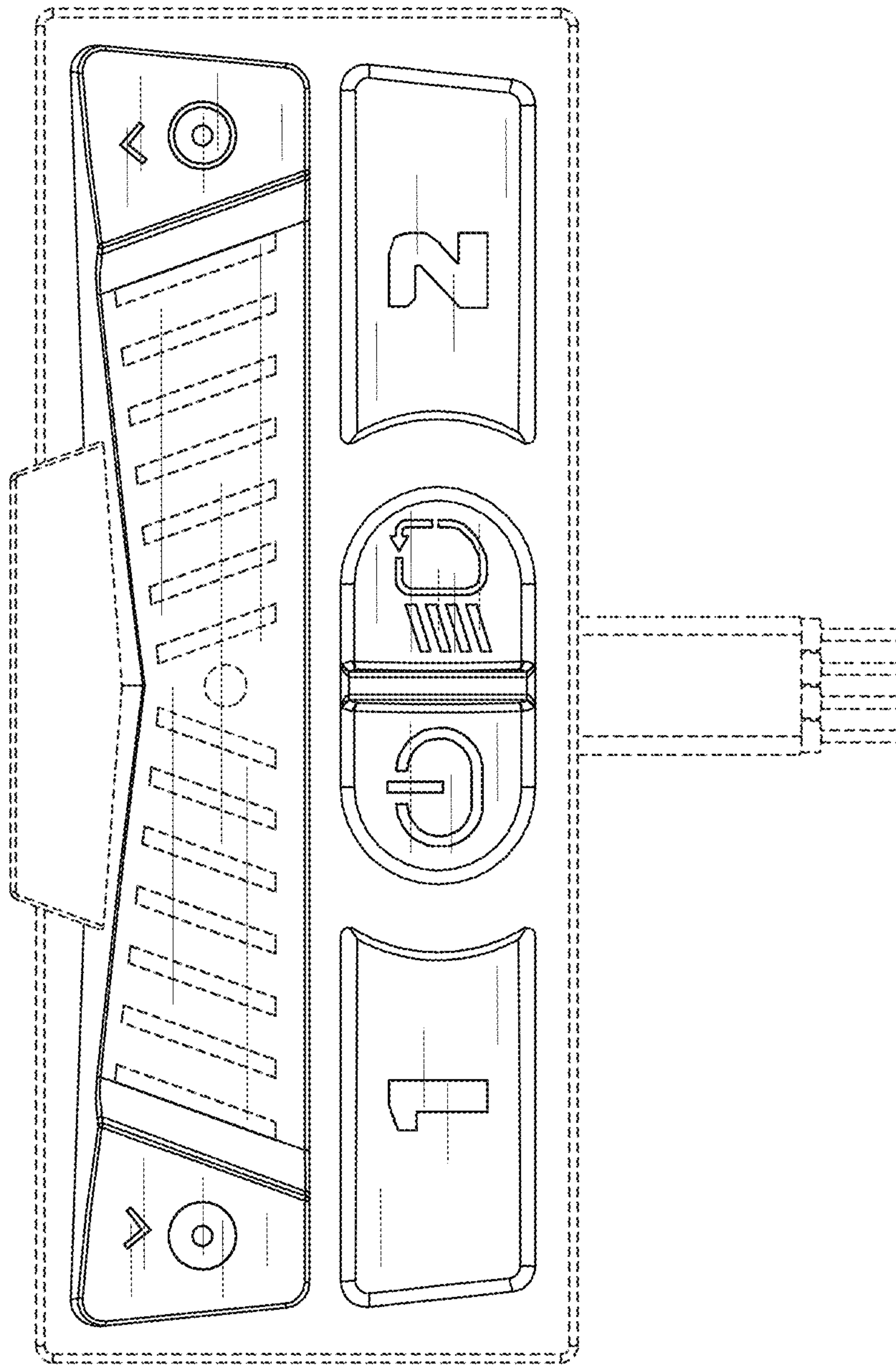


FIG. 89