



US00D862322S

(12) **United States Design Patent** (10) **Patent No.:** **US D862,322 S**
Duncan et al. (45) **Date of Patent:** **** Oct. 8, 2019**

(54) **TRUCK HOOD UNIT**

(71) Applicants: **Jonathan S. Duncan**, Seattle, WA (US); **Amanda Koh**, Kenmore, WA (US); **Peter Vurpillat**, Seattle, WA (US); **Chris Small**, Seattle, WA (US); **Cameron Ellis**, Snohomish, WA (US); **Harry Waraich**, Newcastle, WA (US); **John Jackson**, Sammamish, WA (US); **Rebecca Kern**, Kent, WA (US)

D366,638 S 1/1996 Tucker et al.
D366,640 S 1/1996 Tucker et al.
D378,812 S 4/1997 Aycock
D382,239 S 8/1997 Logan et al.
D382,841 S 8/1997 Norwood et al.
D382,844 S 8/1997 Norwood et al.
D395,860 S 7/1998 Meryman et al.
D401,198 S 11/1998 Mueller et al.
D403,636 S 1/1999 Meryman et al.
D403,639 S 1/1999 Gale et al.
D411,494 S 6/1999 Meryman et al.

(Continued)

(72) Inventors: **Jonathan S. Duncan**, Seattle, WA (US); **Amanda Koh**, Kenmore, WA (US); **Peter Vurpillat**, Seattle, WA (US); **Chris Small**, Seattle, WA (US); **Cameron Ellis**, Snohomish, WA (US); **Harry Waraich**, Newcastle, WA (US); **John Jackson**, Sammamish, WA (US); **Rebecca Kern**, Kent, WA (US)

OTHER PUBLICATIONS

“AeroCab,” Kenworth Truck Company, Kirkland, Washington, 1993, 5-page brochure.

(Continued)

Primary Examiner — Melody N Brown
(74) *Attorney, Agent, or Firm* — Christensen O’Connor Johnson Kindness PLLC

(73) Assignee: **PACCAR INC**, Bellevue, WA (US)

(**) Term: **15 Years**

(21) Appl. No.: **29/644,096**

(22) Filed: **Apr. 13, 2018**

(51) **LOC (12) Cl.** **12-16**

(52) **U.S. Cl.**
USPC **D12/173**

(58) **Field of Classification Search**
USPC D12/173, 196, 86, 90–92, 181;
180/69.21, 69.2, 69.22; 296/190.1–190.5,
296/190.8, 193.11, 37.6
CPC B62D 25/10; B62D 25/06; B62D 65/02;
B62D 25/12; B60Q 1/00
See application file for complete search history.

(56) **References Cited**

U.S. PATENT DOCUMENTS

D50,345 S 2/1917 Green
D50,346 S 2/1917 Green

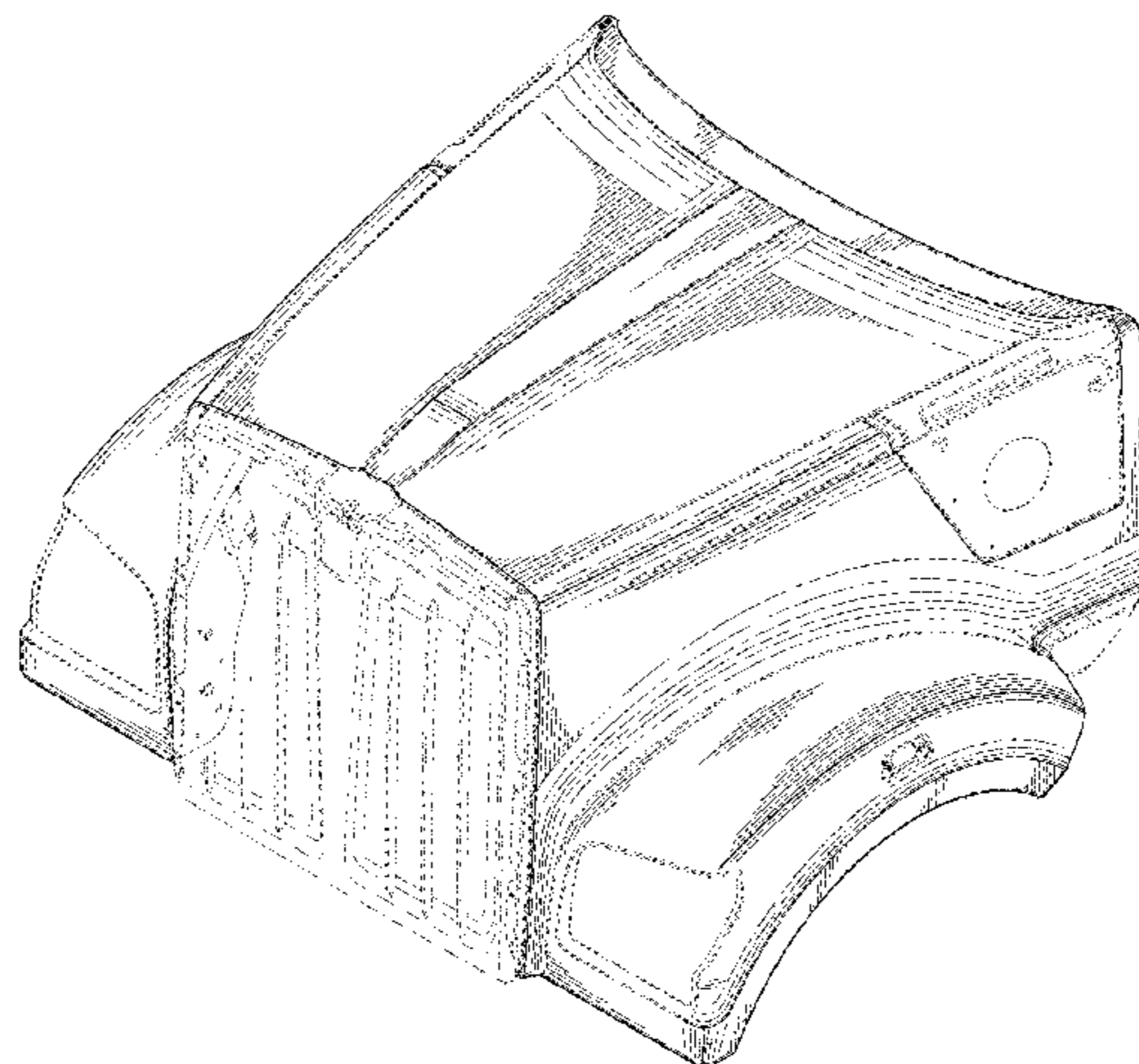
(57) **CLAIM**

The ornamental design of a truck hood unit, as shown and described.

DESCRIPTION

FIG. 1 is a perspective view of a truck hood unit showing our new design;
FIG. 2 is another perspective view thereof;
FIG. 3 is a top plan view thereof;
FIG. 4 is a front elevational view thereof;
FIG. 5 is a rear elevational view thereof and;
FIG. 6 is a left side elevational view thereof; and,
FIG. 7 is a right side elevational view thereof.
The portions of the truck hood unit shown in broken lines throughout the drawing view are for environmental and illustrative purposes and form no part of the claimed design.

1 Claim, 7 Drawing Sheets



(56)

References Cited

U.S. PATENT DOCUMENTS

D412,689 S 8/1999 Onopa
 D422,251 S 4/2000 Bader et al.
 D431,806 S 10/2000 Damon et al.
 D433,980 S 11/2000 Conway et al.
 D434,358 S 11/2000 Conway et al.
 D435,816 S 1/2001 Delashaw et al.
 D436,563 S 1/2001 Delashaw et al.
 D443,853 S 6/2001 Barraclough et al.
 D446,175 S 8/2001 Hoyle, Jr.
 D450,277 S 11/2001 Onopa
 D460,023 S 7/2002 Beigel
 D465,749 S 11/2002 Beigel
 D466,450 S 12/2002 Maher et al.
 D478,300 S 8/2003 Chiang
 D482,993 S 12/2003 Conway et al.
 D484,077 S 12/2003 Conway et al.
 D488,112 S 4/2004 Satou
 D490,749 S 6/2004 Satou et al.
 D491,858 S 6/2004 Velazco
 D492,921 S 7/2004 Perfetti et al.
 D494,900 S 8/2004 Satou
 D495,633 S 9/2004 Chiang
 D497,581 S 10/2004 Conway et al.
 D502,901 S 3/2005 Delashaw et al.
 D502,904 S 3/2005 Delashaw et al.
 D504,642 S 5/2005 Perfetti et al.
 D511,727 S 11/2005 Shaw et al.
 D512,666 S 12/2005 Chiang
 D514,483 S 2/2006 Chiang
 D517,965 S 3/2006 Metros et al.
 D518,761 S 4/2006 Chiang
 D523,793 S 6/2006 Beigel et al.
 D524,204 S 7/2006 Beigel
 D531,947 S 11/2006 Angelo et al.
 D532,350 S 11/2006 Angelo et al.
 D532,352 S 11/2006 Angelo et al.
 D540,725 S 4/2007 Gunter et al.
 D540,727 S 4/2007 Elliott et al.
 D545,250 S * 6/2007 Angelo D12/173
 D545,251 S * 6/2007 Angelo D12/173
 D545,254 S 6/2007 Angelo et al.
 D545,255 S 6/2007 Angelo et al.
 D545,735 S * 7/2007 Angelo D12/173
 D550,131 S * 9/2007 Onopa D12/173
 D560,575 S 1/2008 Simons et al.
 D560,582 S 1/2008 Simons et al.
 D560,583 S 1/2008 Simons et al.
 D561,647 S * 2/2008 Simons D12/173
 D563,281 S 3/2008 Simons et al.
 D563,849 S 3/2008 Medina et al.
 D563,850 S 3/2008 Rosen et al.
 D563,851 S 3/2008 Rosen et al.
 D563,852 S 3/2008 Rosen et al.
 D563,853 S 3/2008 Rosen et al.
 D564,427 S 3/2008 Beigel et al.
 D566,635 S 4/2008 Rosen et al.
 D571,696 S 6/2008 Rosen et al.
 D578,453 S 10/2008 Raghavendran et al.
 D588,512 S 3/2009 Raghavendran et al.
 D592,574 S 5/2009 Larson
 D597,003 S 7/2009 Yamazaki et al.
 D605,986 S 12/2009 Raghavendran et al.
 D619,941 S 7/2010 Krauss
 D621,754 S 8/2010 Angelo et al.
 D622,188 S 8/2010 Angelo et al.
 D632,224 S * 2/2011 Peltola D12/173
 D632,234 S 2/2011 Peltola et al.
 D643,352 S 8/2011 Hjorten et al.
 D647,016 S 10/2011 Medina et al.
 D647,832 S 11/2011 Medina et al.
 D654,401 S 2/2012 Peltola et al.
 D654,417 S 2/2012 Peltola et al.
 D685,294 S 7/2013 Hanson et al.
 D686,122 S * 7/2013 Peltola D12/173
 D690,242 S 9/2013 Conway et al.

D690,632 S 10/2013 Peltola et al.
 D699,650 S 2/2014 Peltola et al.
 D699,651 S 2/2014 Peltola et al.
 D702,609 S 4/2014 Hovind et al.
 D702,615 S 4/2014 Conway et al.
 D706,690 S 6/2014 Peltola et al.
 D707,160 S 6/2014 Peltola et al.
 D707,161 S 6/2014 Peltola et al.
 D707,163 S 6/2014 Peltola et al.
 D708,104 S 7/2014 Conway et al.
 D708,553 S 7/2014 Conway et al.
 D708,985 S 7/2014 Peltola et al.
 D708,986 S 7/2014 Conway et al.
 D708,989 S 7/2014 Peltola et al.
 D708,990 S 7/2014 Conway et al.
 D708,999 S * 7/2014 Conway D12/173
 D709,000 S * 7/2014 Peltola D12/173
 D709,001 S 7/2014 Conway et al.
 D709,406 S 7/2014 Conway et al.
 D709,407 S 7/2014 Conway et al.
 D709,408 S 7/2014 Peltola et al.
 D709,410 S 7/2014 Conway et al.
 D709,411 S 7/2014 Peltola et al.
 D709,421 S 7/2014 Conway et al.
 D709,422 S 7/2014 Peltola et al.
 D709,423 S 7/2014 Peltola et al.
 D709,424 S 7/2014 Conway et al.
 D709,425 S 7/2014 Conway et al.
 D710,765 S 8/2014 Conway et al.
 D714,195 S 9/2014 Conway et al.
 D718,682 S * 12/2014 McFarlin D12/173
 D722,934 S 2/2015 Conway et al.
 D729,709 S * 5/2015 Conway D12/173
 D743,308 S * 11/2015 Hanson D12/173
 D746,200 S 12/2015 Leetz
 D756,855 S 5/2016 Leetz et al.
 D758,253 S * 6/2016 Brzustowicz D12/96
 D770,335 S 11/2016 Walterscheid et al.
 D771,539 S * 11/2016 Brzustowicz D12/173
 D778,217 S * 2/2017 Ito D12/173
 D782,381 S 3/2017 Conway et al.
 D805,981 S 12/2017 Conway et al.
 2013/0025954 A1 1/2013 Miller et al.

OTHER PUBLICATIONS

“AeroCab,” Kenworth Truck Company, Kirkland, Washington, as early as 1995, 3-page brochure.
 “C500B,” Kenworth Truck Company, Kirkland, Washington, as early as 1990, 4-page brochure.
 “Class Pays, Medium Duty,” Peterbilt Motors Company, Denton, Texas, Sep. 2000, 12-page brochure.
 “Class Pays, Truck Models,” Peterbilt Motors Company, Denton, Texas, Mar. 2005, 24-page brochure.
 “Class Pays,” Peterbilt Motors Company, Denton, Texas, Nov. 1998, 10-page brochure.
 Class Pays, Peterbilt Motors Company, Denton, Texas, Sep. 1997, 10-page brochure.
 Class Pays, Construction Trucks, Peterbilt Motors Company, Denton, Texas, Nov. 2003, 16-page brochure.
 “Kenworth Truck Models,” Kenworth Truck Company, Kirkland, Washington, 2010, 16-page brochure.
 “Model 330,” Peterbilt Motors Company, Denton, Texas, Oct. 1997, 3-page brochure.
 “Model 357 Heavy Haul,” Peterbilt Motors Company, Denton, Texas, Mar. 2005, 2-page brochure.
 “Model 357 Standard Specifications,” Peterbilt Motors Company, Newark, California, Sep. 1986, 6-page brochure.
 “Model 357, New Sloped Hood,” Peterbilt Motors Company, Denton, Texas, May 2002, 2-page brochure.
 “Model 357,” Peterbilt Motors Company, Denton, Texas, May 1994, 3-page brochure.
 “Model 357-115,” Peterbilt Motors Company, Denton, Texas, Mar. 2005, 2-page brochure.
 “Model 375 Standard Specifications,” Peterbilt Motors Company, Newark, California, Sep. 1986, 6-page brochure.

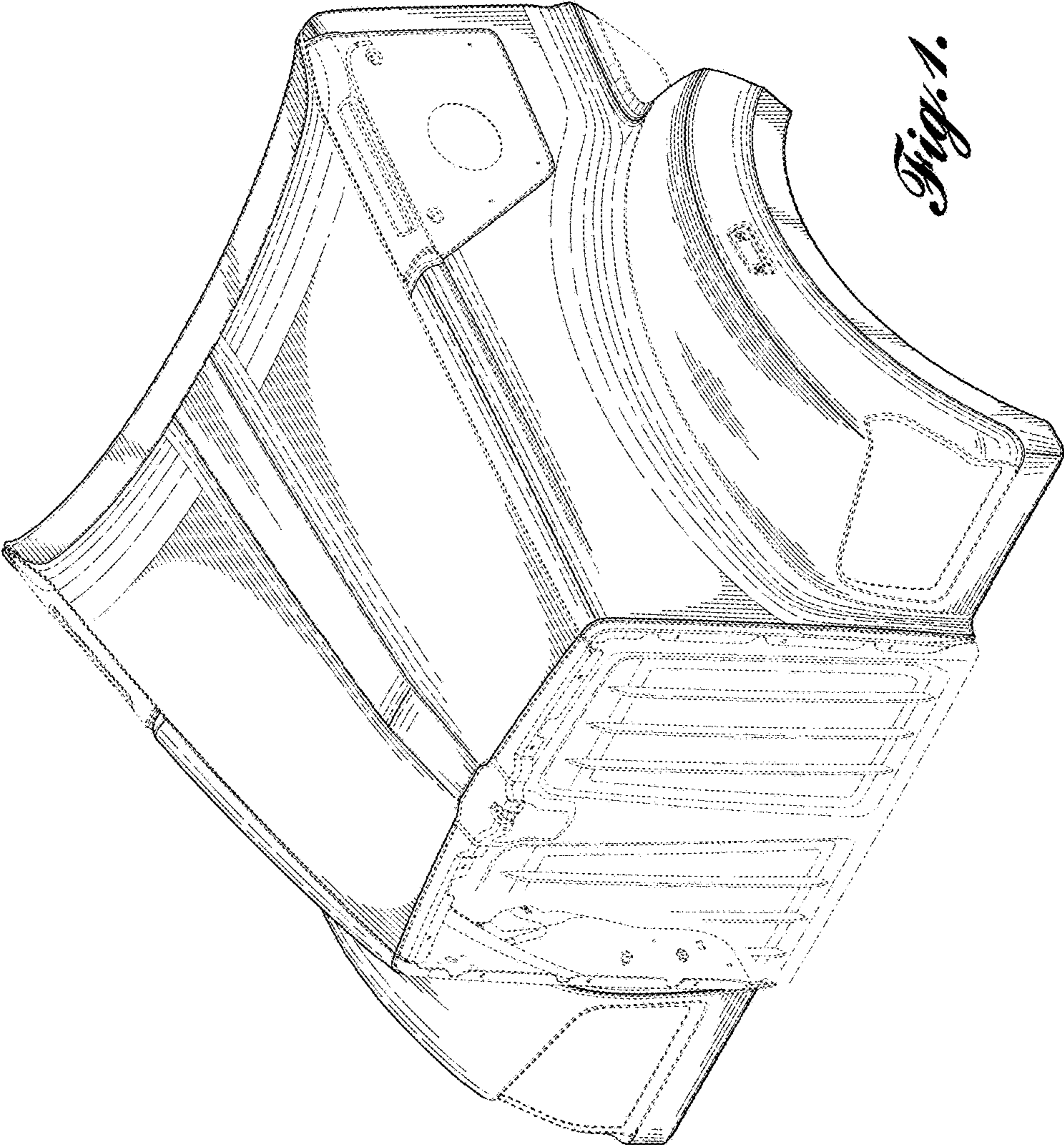
(56)

References Cited

OTHER PUBLICATIONS

- “Model 377A/E,” Peterbilt Motors Company, Denton, Texas, Aug. 1997, 2-page brochure.
- “Model 377A/E,” Peterbilt Motors Company, Denton, Texas, Jan. 1995, 6-page brochure.
- “Model 378,” Peterbilt Motors Company, Denton, Texas, Mar. 1998, 3-page brochure.
- “Model 379,” Peterbilt Motors Company, Denton, Texas, Apr. 2005, 2-page brochure.
- “Model 379,” Peterbilt Motors Company, Denton, Texas, Mar. 1996, 5-page brochure.
- “Model 385,” Peterbilt Motors Company, Denton, Texas, Oct. 1996, 5-page brochure.
- “Model 387,” Peterbilt Motors Company, Denton, Texas, Oct. 2002, 2-page brochure.
- “Rest with Class,” Peterbilt Motors Company, Newark, California, Apr. 1978, 4-page brochure.
- “T170 Class 5,” Kenworth Truck Company, Kirkland, Washington, 2008, 4-page brochure.
- “T2000,” Kenworth Truck Company, Kirkland, Washington, 1999, 20-page brochure.
- “T2000,” Kenworth Truck Company, Kirkland, Washington, 2002, 20-page brochure.
- “T2000,” Kenworth Truck Company, Kirkland, Washington, 2005, 20-page brochure.
- “T270 Class 6 and T370 Class 7,” Kenworth Truck Company, Kirkland, Washington, 2008, 6-page brochure.
- “T270 Class 6 and T370 Class 7,” Kenworth Truck Company, Kirkland, Washington, 2009, 6-page brochure.
- “T270 Class 6 and T370 Class 7 Hybrid,” Kenworth Truck Company, Kirkland, Washington, 2009, 6-page brochure.
- “T300,” Kenworth Truck Company, Kirkland, Washington, 1994, 4-page brochure.
- “T300,” Kenworth Truck Company, Kirkland, Washington, 2001, 16-page brochure.
- “T300,” Kenworth Truck Company, Kirkland, Washington, 2005, 16-page brochure.
- “T680,” Kenworth Truck Company, Kirkland, Washington, 2013, 34-page brochure.
- “T680,” Kenworth Truck Company, Kirkland, Washington, 2016, 34-page brochure.
- “T880,” Kenworth Truck Company, Kirkland, Washington, 2017, 32-page brochure.
- “Model 579,” Peterbilt Motors Company, Denton, Texas, 2013, 13-page brochure.
- “Model 587,” Peterbilt Motors Company, Denton, Texas, 2011, 4-page brochure.
- “Medium-Duty,” Peterbilt Motors Company, Denton, Texas, 2013, 9-page brochure.
- “On-Highway,” Peterbilt Motors Company, Denton, Texas, 2013, 13-page brochure.
- “Vocational,” Peterbilt Motors Company, Denton, Texas, 2013, 11-page brochure.
- “T440,” Kenworth Truck Company, Kirkland, Washington, 2010, 2-page brochure.
- “T440,” Kenworth Truck Company, Kirkland, Washington, 2010, 6-page brochure.
- “T470,” Kenworth Truck Company, Kirkland, Washington, 2010, 6-page brochure.
- “T470H,” Kenworth Truck Company, Kirkland, Washington, 2009, 2-page brochure.
- “T600,” Kenworth Truck Company, Kirkland, Washington, 1996, 7-page brochure.
- “T600,” Kenworth Truck Company, Kirkland, Washington, 2002, 28-page brochure.
- “T600,” Kenworth Truck Company, Kirkland, Washington, 2005, 24-page brochure.
- “T600A,” Kenworth Truck Company, Kirkland, Washington, 1985, 10-page brochure.
- “T660,” Kenworth Truck Company, Kirkland, Washington, 2007, 36-page brochure.
- “T660,” Kenworth Truck Company, Kirkland, Washington, 2009, 36-page brochure.
- “T700,” Kenworth Truck Company, Kirkland, Washington, 2010, 6-page brochure.
- “T800,” Kenworth Truck Company, Kirkland, Washington, 1996, 7-page brochure.
- “T800,” Kenworth Truck Company, Kirkland, Washington, 2002, 32-page brochure.
- “T800,” Kenworth Truck Company, Kirkland, Washington, 2003, 32-page brochure.
- “T800,” Kenworth Truck Company, Kirkland, Washington, 2005, 28-page brochure.
- “T800,” Kenworth Truck Company, Kirkland, Washington, 2009, 28-page brochure.
- “T800B,” Kenworth Truck Company, Kirkland, Washington, 1993, 8-page brochure.
- “The Working Class,” Peterbilt Motors Company, Newark, California, Sep. 1976, 6-page brochure.
- “The World’s Best,” Kenworth Truck Company, Kirkland, Washington, 1992, 12-page brochure.
- “Unibilt™ Cab Sleeper System,” Peterbilt Motors Company, Denton Texas, Aug. 1994, 6-page brochure.
- “W900,” Kenworth Truck Company, Kirkland, Washington, 1996, 7-page brochure.
- “W900,” Kenworth Truck Company, Kirkland, Washington, 2002, 32-page brochure.
- “W900,” Kenworth Truck Company, Kirkland, Washington, 2005, 28-page brochure.
- “W900,” Kenworth Truck Company, Kirkland, Washington, 2009, 28-page brochure.
- “W900L Aero Cab,” Kenworth Truck Company, Kirkland, Washington, 1994, 2-page brochure.

* cited by examiner



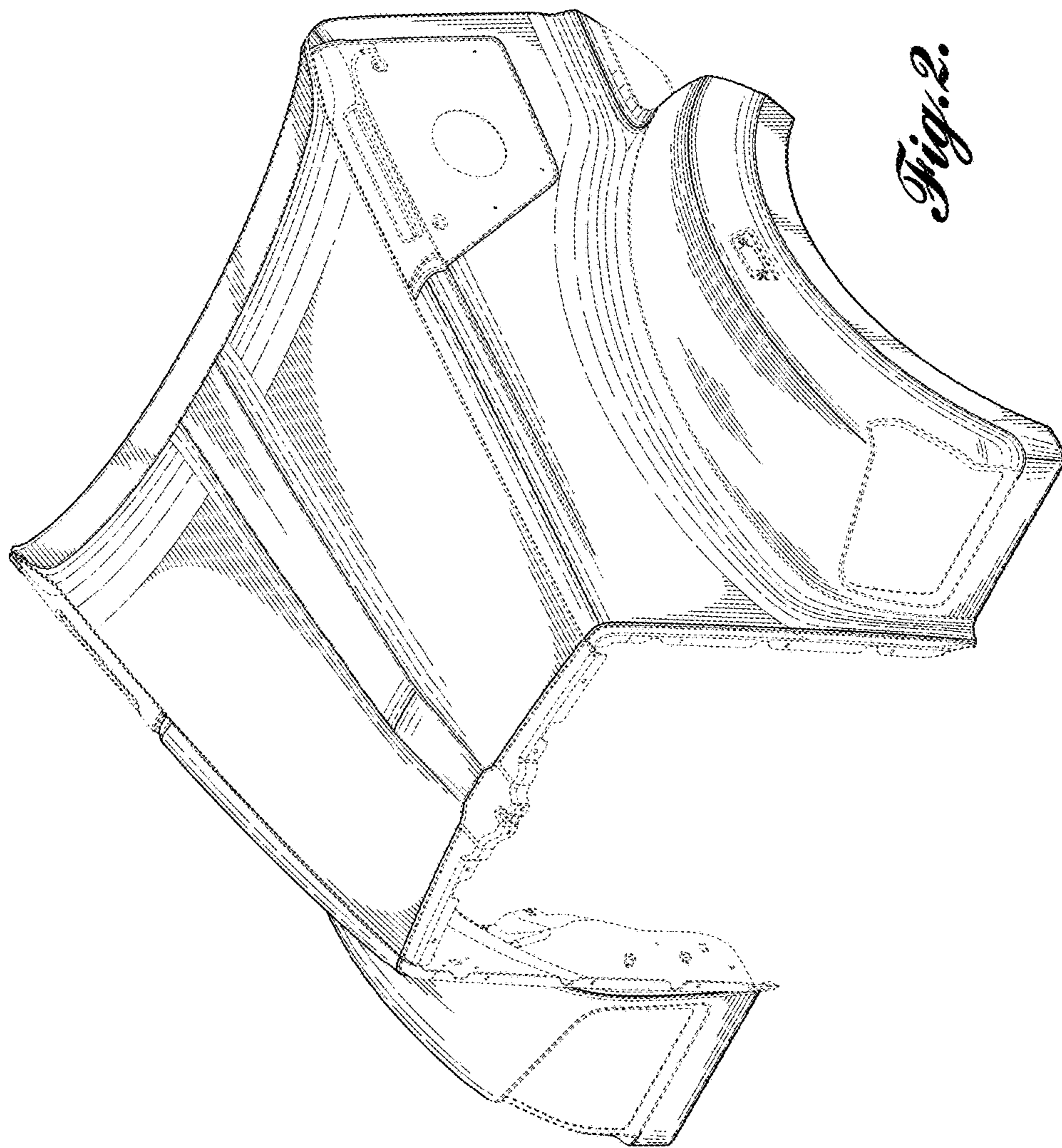
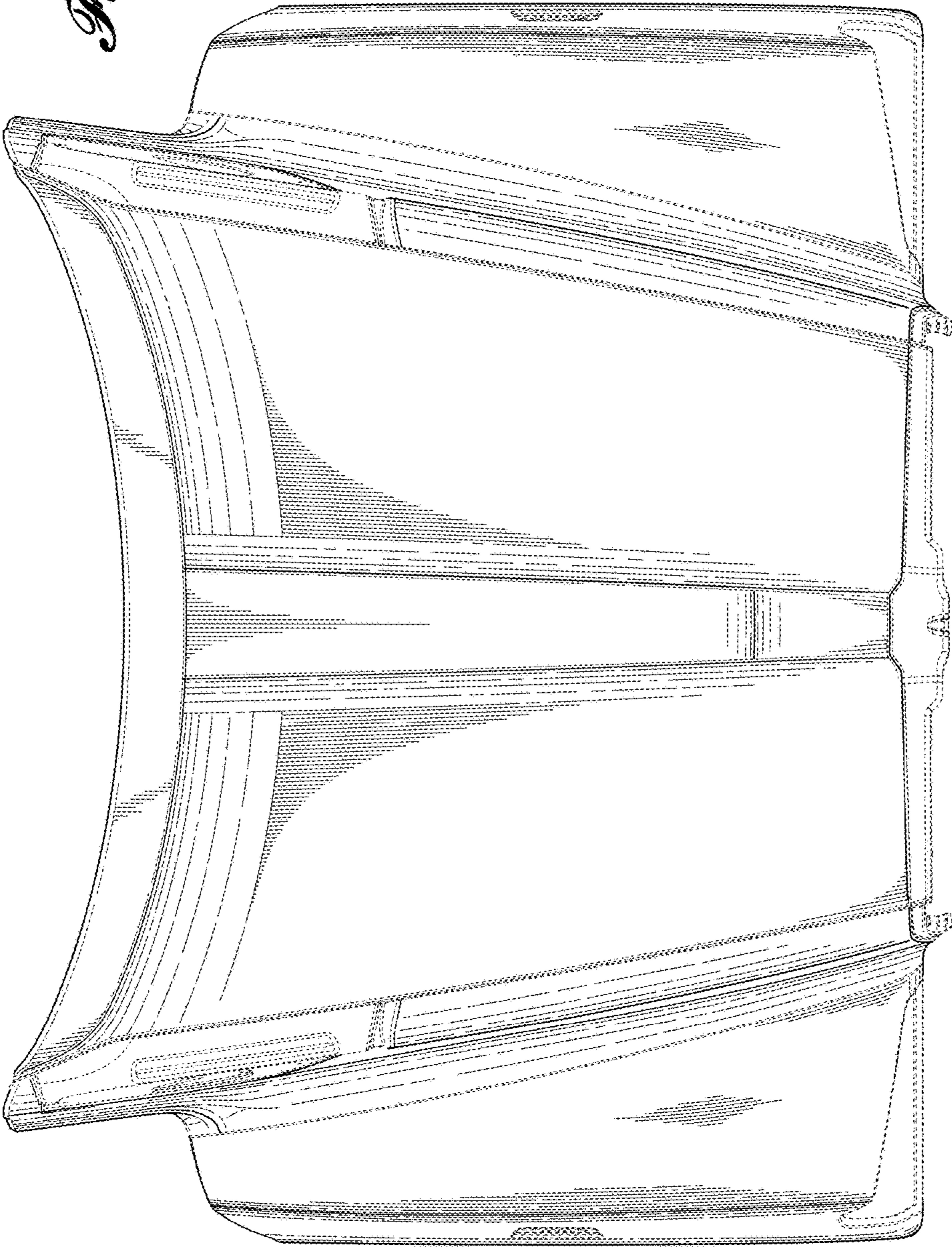


Fig. 3.



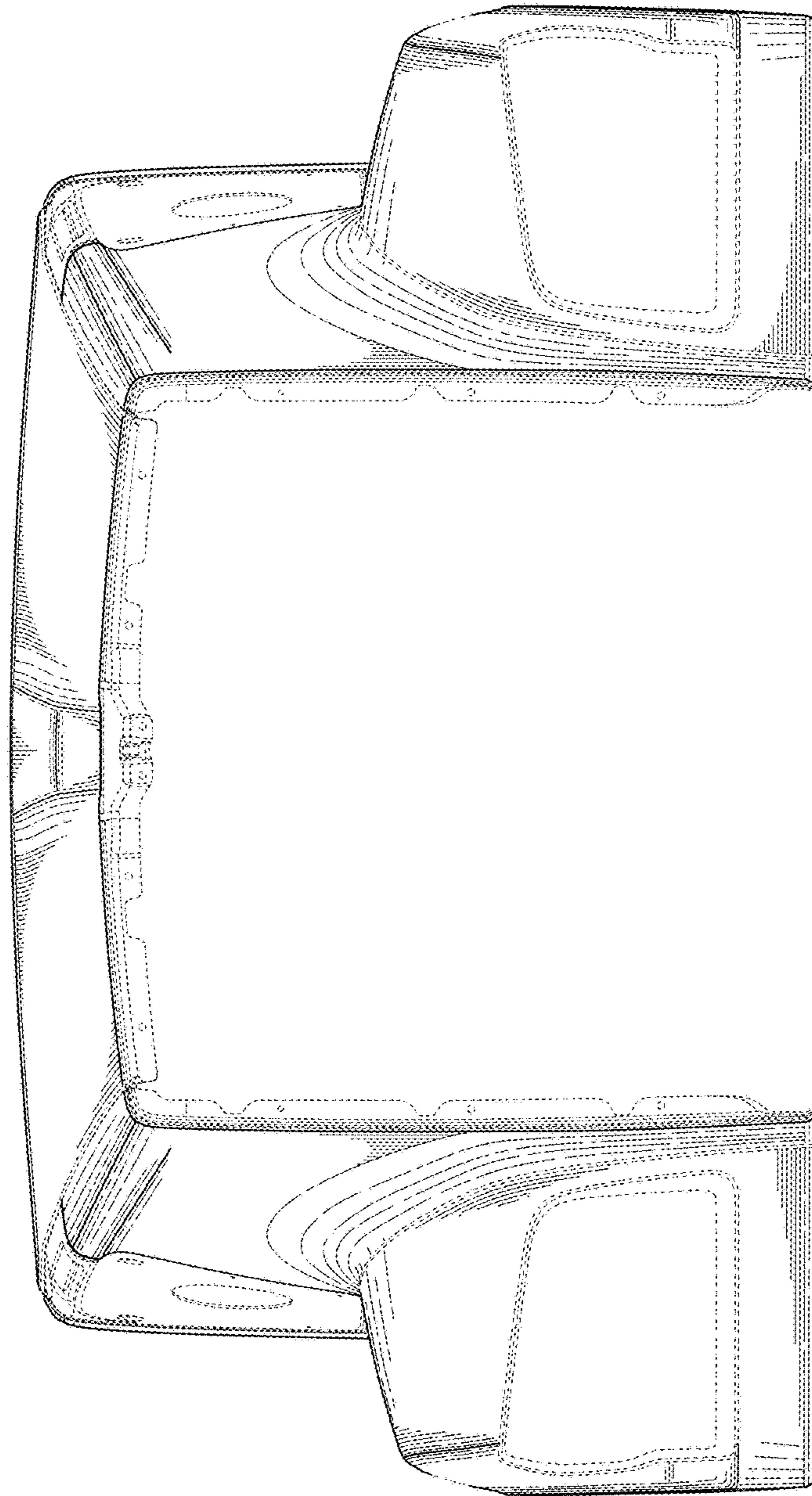


Fig. 4.

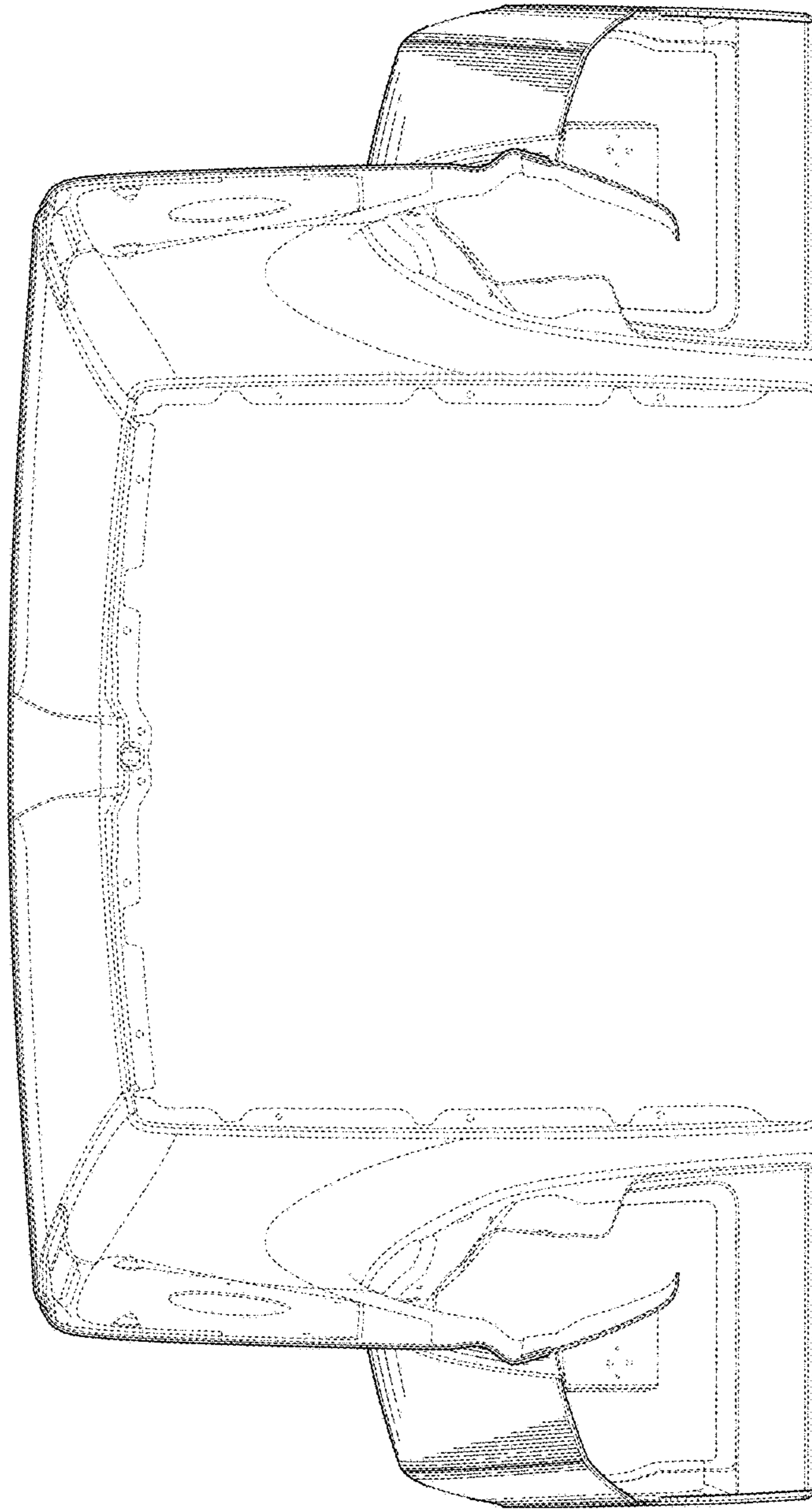


Fig. 5.

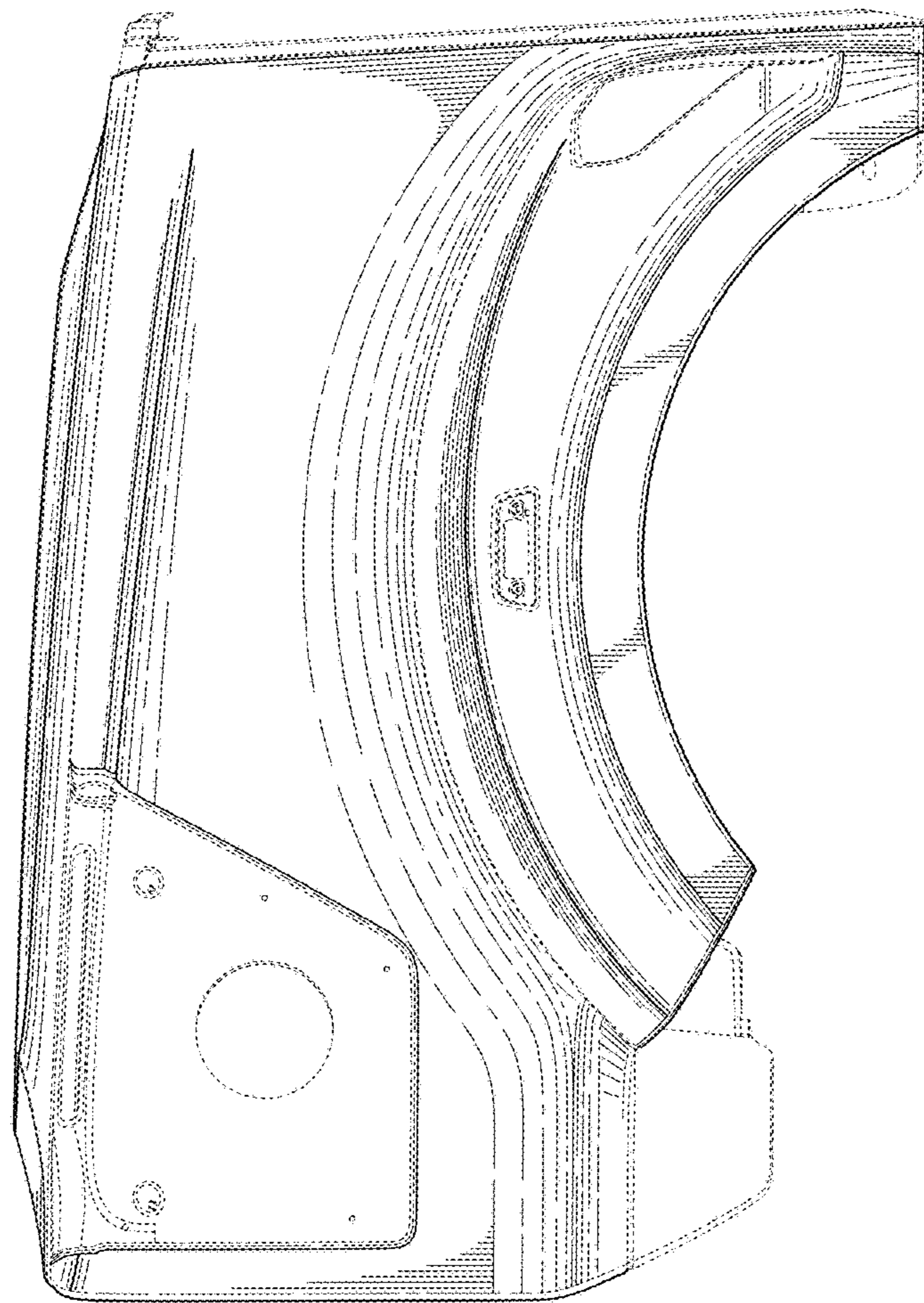


Fig. 6.

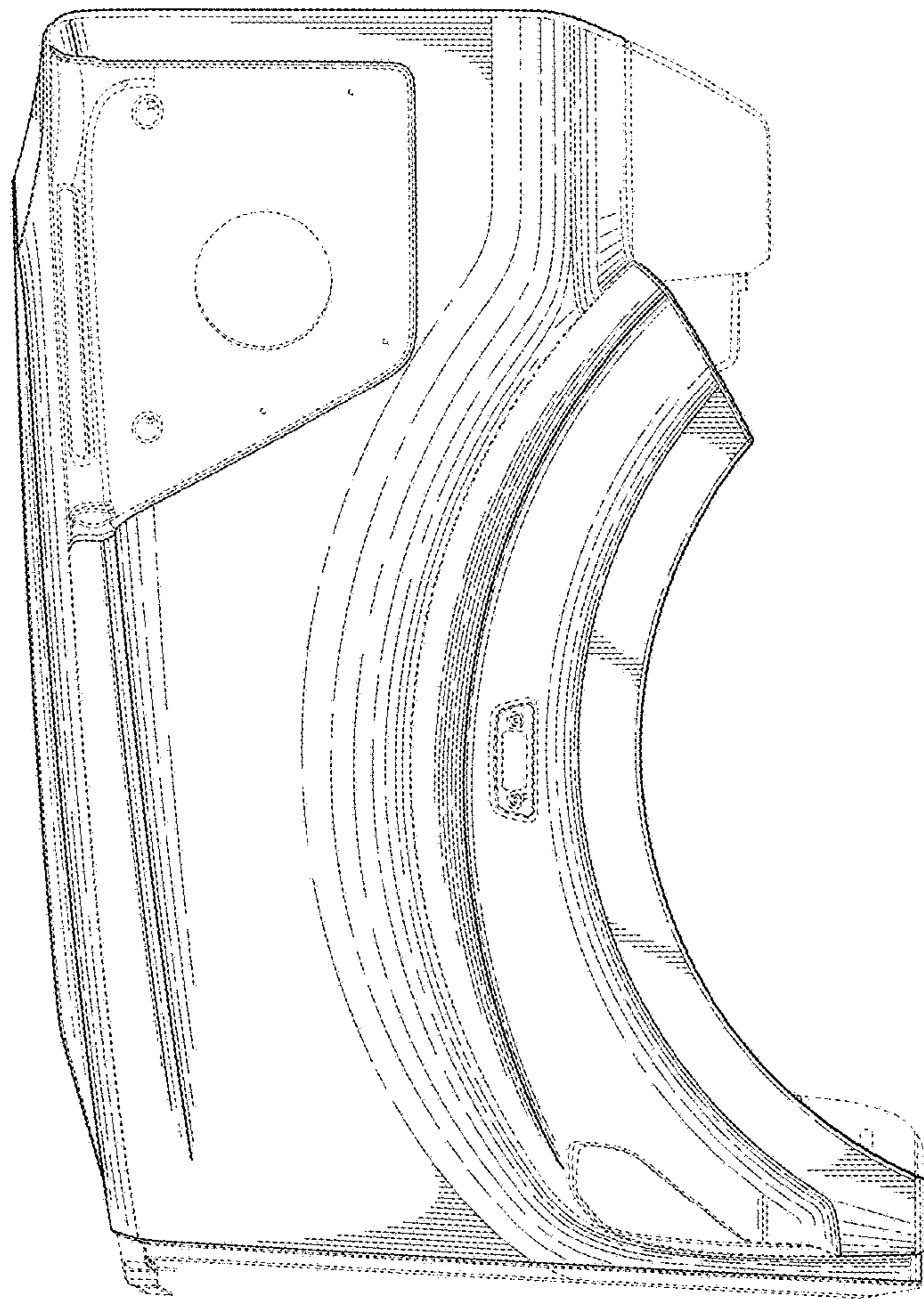


Fig. 7.