



US00D862318S

(12) **United States Design Patent**  
**Von Holzhausen et al.**

(10) **Patent No.:** **US D862,318 S**  
(45) **Date of Patent:** **\*\* Oct. 8, 2019**

(54) **FRONT TRUNK HOOD FOR VEHICLE**

(71) Applicant: **Tesla, Inc.**, Palo Alto, CA (US)

(72) Inventors: **Franz Von Holzhausen**, Malibu, CA (US); **David Tadashi Imai**, Los Angeles, CA (US); **Randy Rodriguez**, Torrance, CA (US)

(73) Assignee: **Tesla, Inc.**, Palo Alto, CA (US)

(\*\*) Term: **15 Years**

(21) Appl. No.: **29/619,056**

(22) Filed: **Sep. 26, 2017**

(51) **LOC (12) Cl.** ..... **12-16**

(52) **U.S. Cl.**  
USPC ..... **D12/173**

(58) **Field of Classification Search**  
USPC ..... D12/86, 90, 91, 92, 163, 169, 171, 196, D12/216  
CPC ..... B60R 19/02; B60R 19/03; B60R 19/04; B62D 25/08; B62D 25/12; B60J 5/10; B60J 5/101; B60J 5/102; B60J 5/103; B60J 5/107  
See application file for complete search history.

(56) **References Cited**

**U.S. PATENT DOCUMENTS**

2,391,310	A *	12/1945	Heller	.....	B60R 5/04
					224/496
2,772,041	A *	11/1956	Zeabari	.....	B60R 9/06
					224/42.32
2,889,619	A *	6/1959	Robinson	.....	B23K 33/008
					228/137
3,783,655	A *	1/1974	Giannetto	.....	E05B 83/16
					70/1.5
D243,077	S *	1/1977	Pray	.....	D12/196
6,357,815	B1 *	3/2002	Queveau	.....	B60J 7/205
					296/107.08
D463,999	S *	10/2002	Beck	.....	D12/16

D491,104	S *	6/2004	Berg	.....	D12/7
7,017,969	B1 *	3/2006	Kirkham	.....	B60R 13/011
					296/39.1
7,341,289	B2 *	3/2008	Schretzlmeier	.....	E05B 83/26
					292/92
D596,546	S *	7/2009	Habib	.....	D12/196
7,597,378	B2 *	10/2009	Ichinose	.....	B62D 25/105
					296/76
D695,177	S *	12/2013	Matsueda	.....	D12/196
D764,994	S *	8/2016	Jo	.....	D12/196
D785,532	S *	5/2017	Park	.....	D12/196

(Continued)

*Primary Examiner* — Susan Bennett Hattan

*Assistant Examiner* — Suzanne E Tisdell

(74) *Attorney, Agent, or Firm* — Haynes and Boone, LLP

(57) **CLAIM**

The ornamental design for a front trunk hood for a vehicle, as shown and described.

**DESCRIPTION**

FIG. 1 is a perspective view of a front trunk hood for a vehicle.

FIG. 2 is a front elevational view of the front trunk hood for a vehicle of FIG. 1.

FIG. 3 is a back elevational view of the front trunk hood for a vehicle of FIG. 1.

FIG. 4 is a right side elevational view of the front trunk hood for a vehicle of FIG. 1.

FIG. 5 is a left side elevational view of the front trunk hood for a vehicle of FIG. 1.

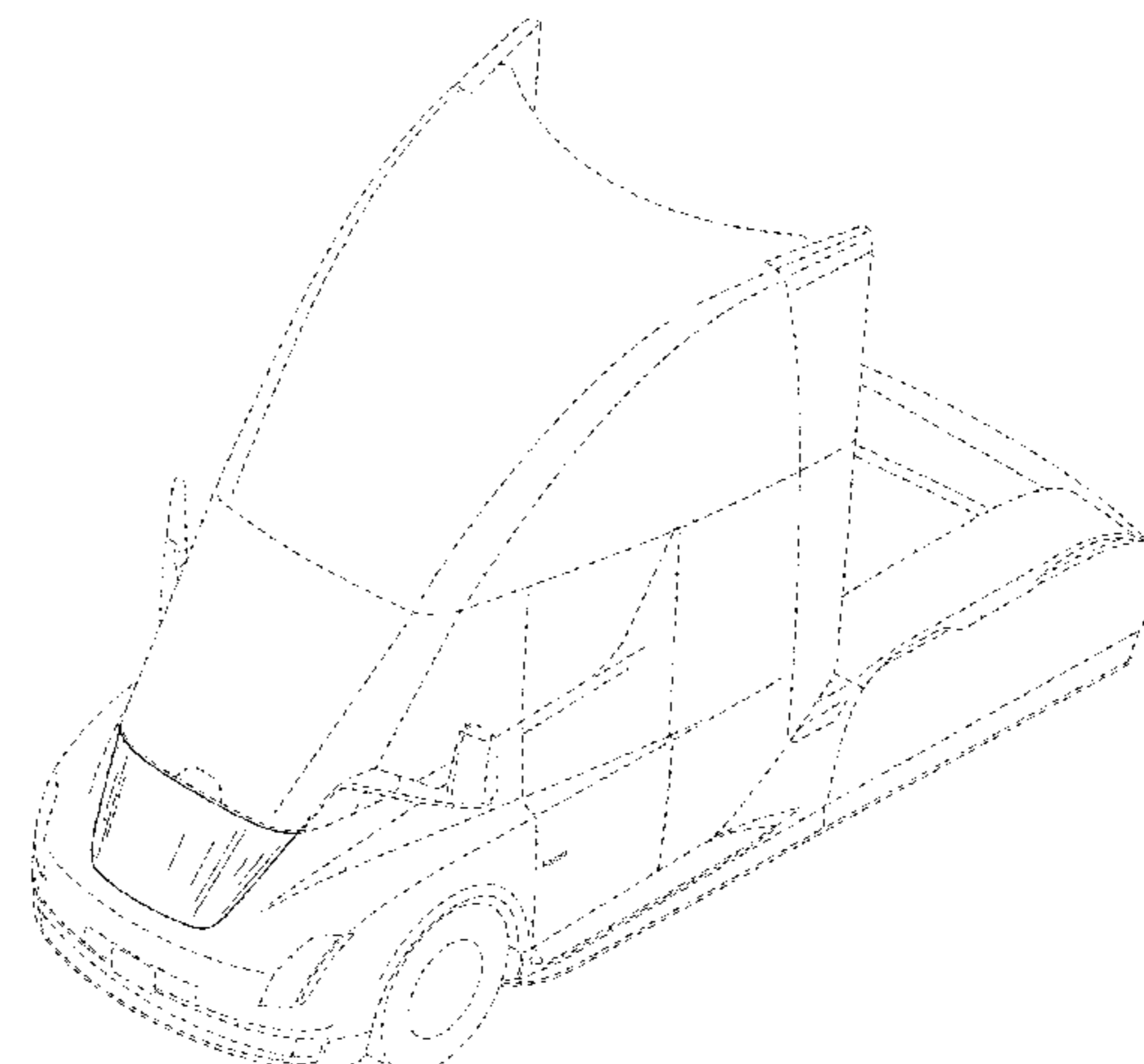
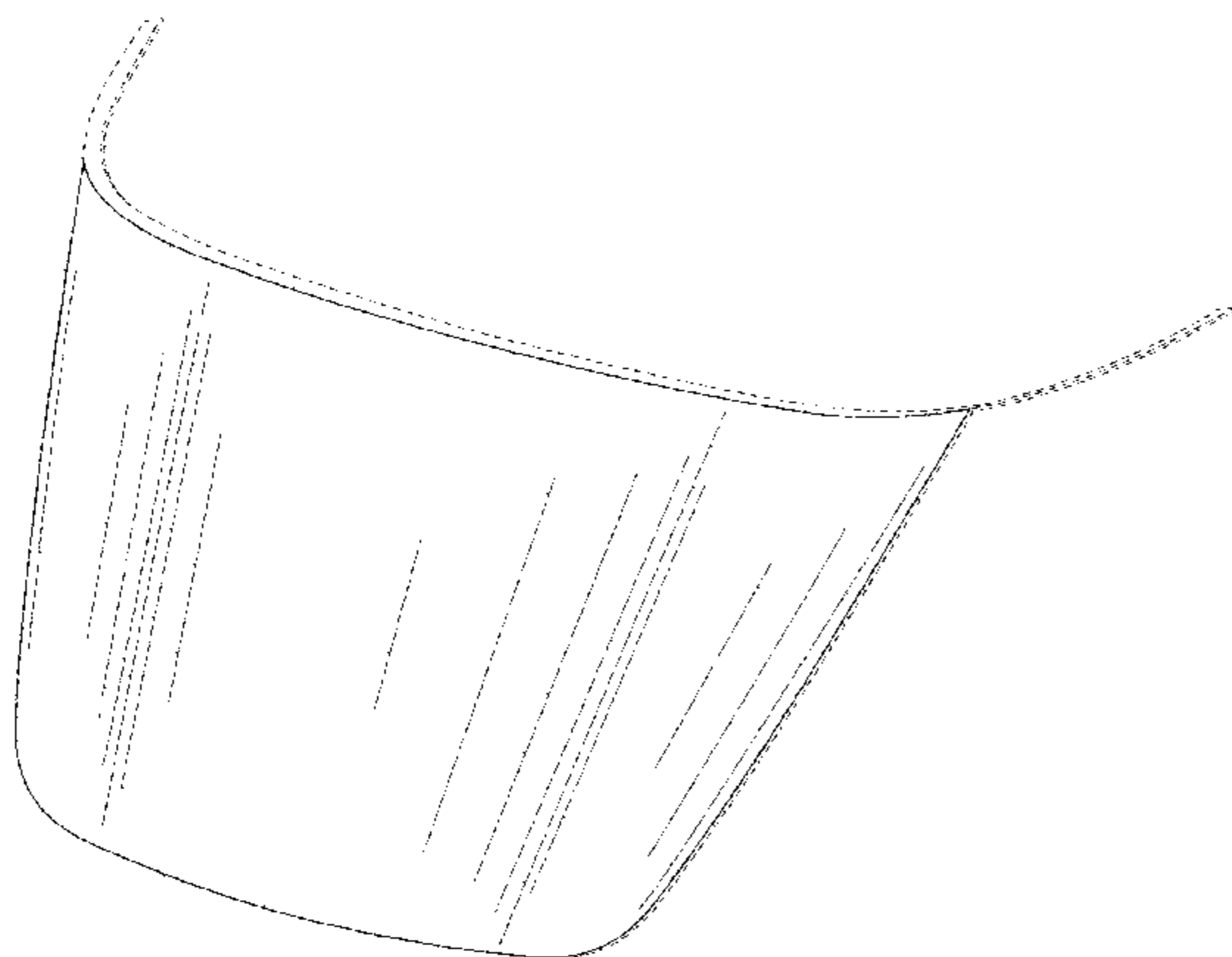
FIG. 6 is a top plan view of the front trunk hood for a vehicle of FIG. 1.

FIG. 7 is a bottom plan view of the front trunk hood for a vehicle of FIG. 1; and,

FIG. 8 is a perspective view of the front trunk hood for a vehicle of FIG. 1 as part of a semi-truck cab.

The items shown with broken lines form no part of the claimed design.

**1 Claim, 7 Drawing Sheets**



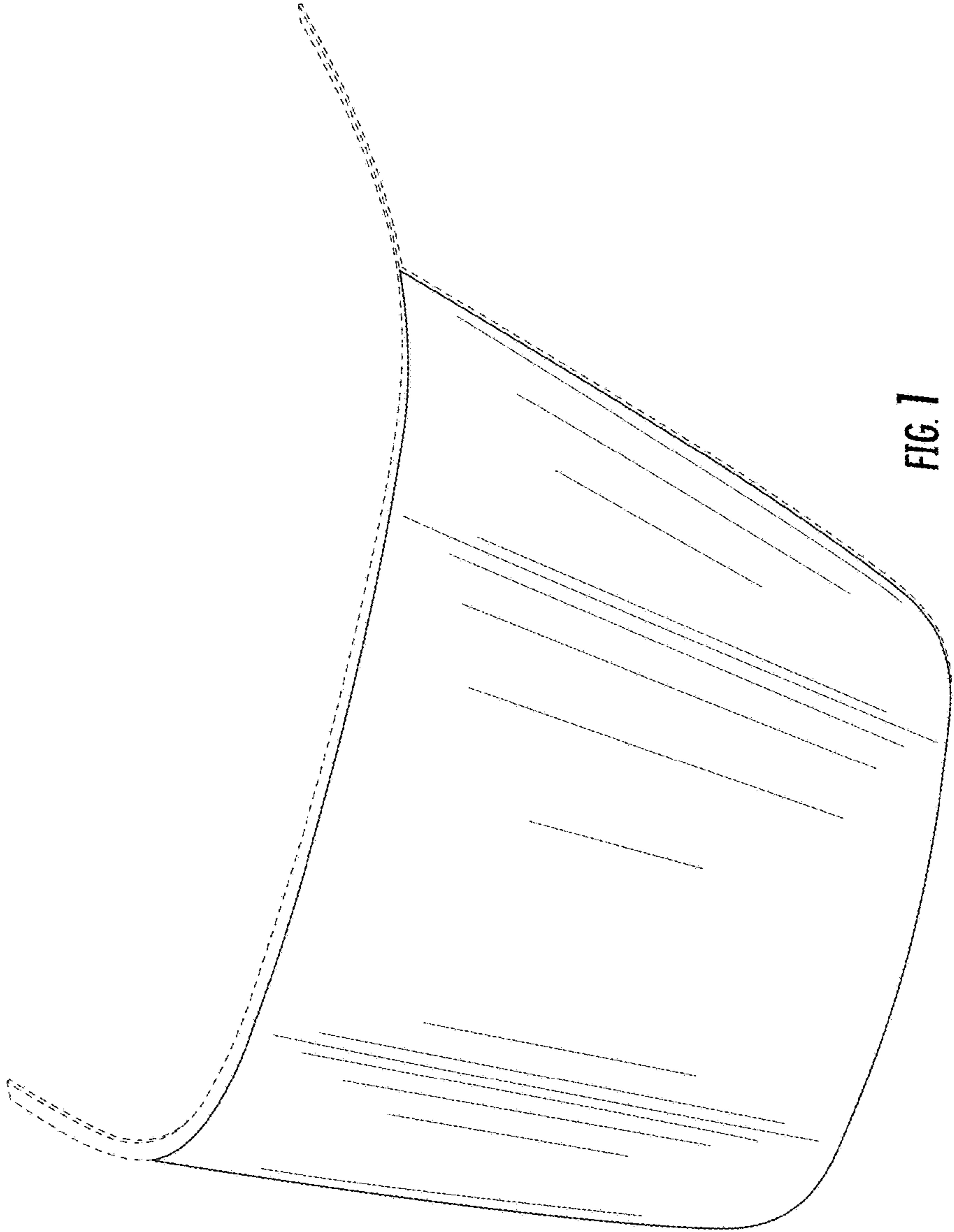
(56)

**References Cited**

U.S. PATENT DOCUMENTS

D791,030	S	*	7/2017	Faghihzadeh .....	D12/196
D813,773	S	*	3/2018	Cho .....	D12/196
D823,211	S	*	7/2018	Lim .....	D12/196
D825,421	S	*	8/2018	Kim .....	D12/196
D829,625	S	*	10/2018	Kim .....	D12/196
D831,553	S	*	10/2018	Ojea .....	D12/196
D839,168	S	*	1/2019	Cho .....	D12/196

\* cited by examiner



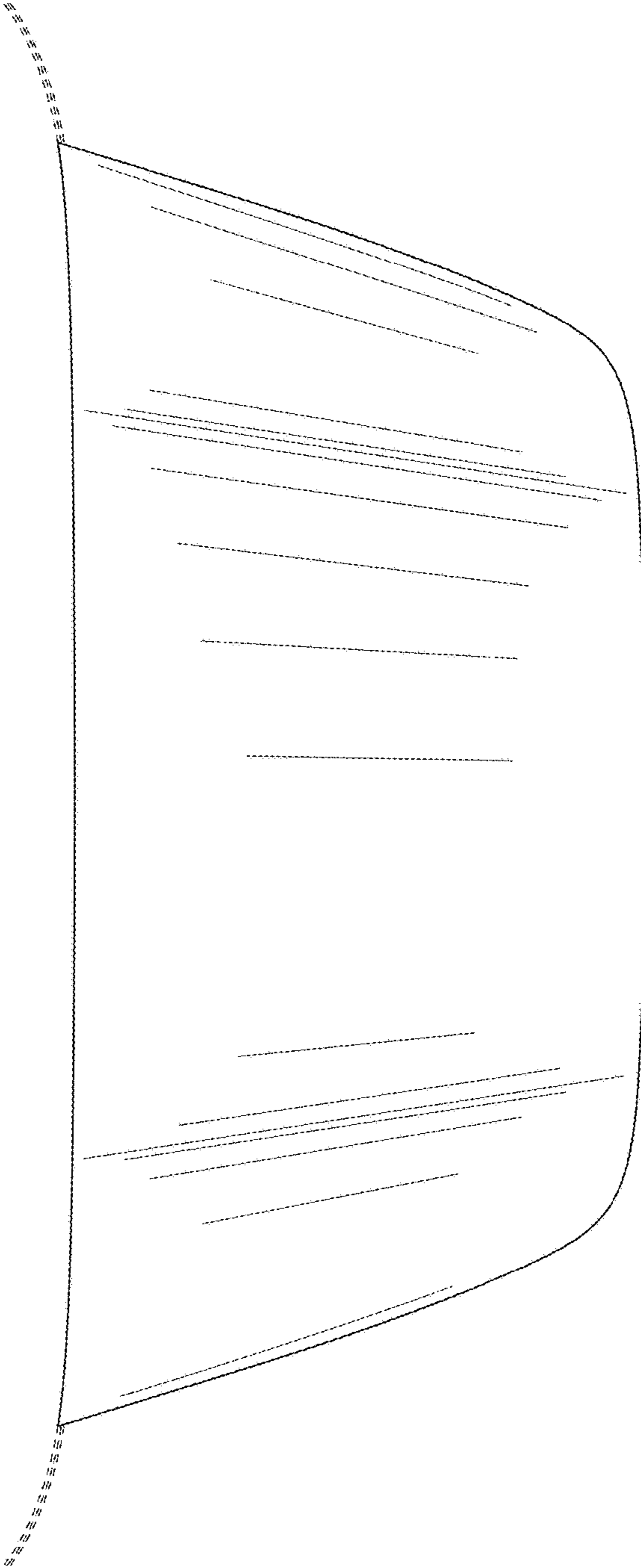


FIG. 2

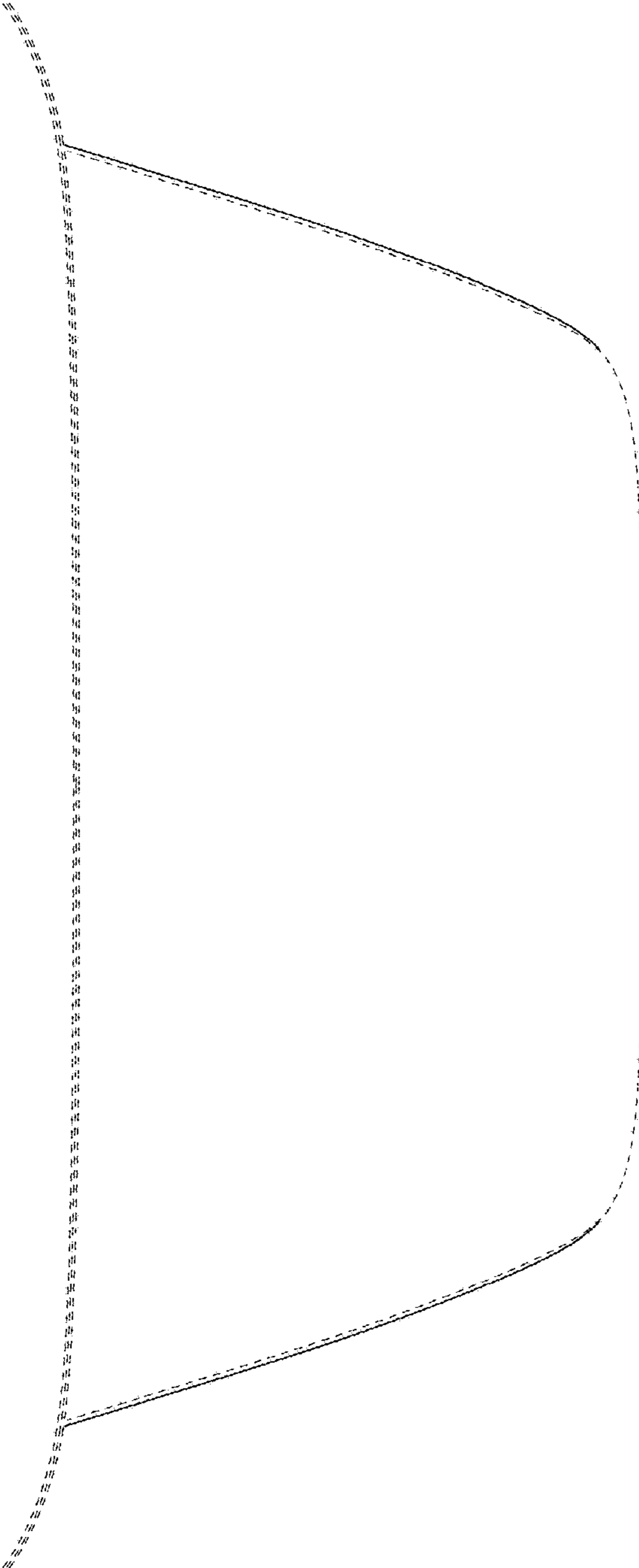


FIG. 3

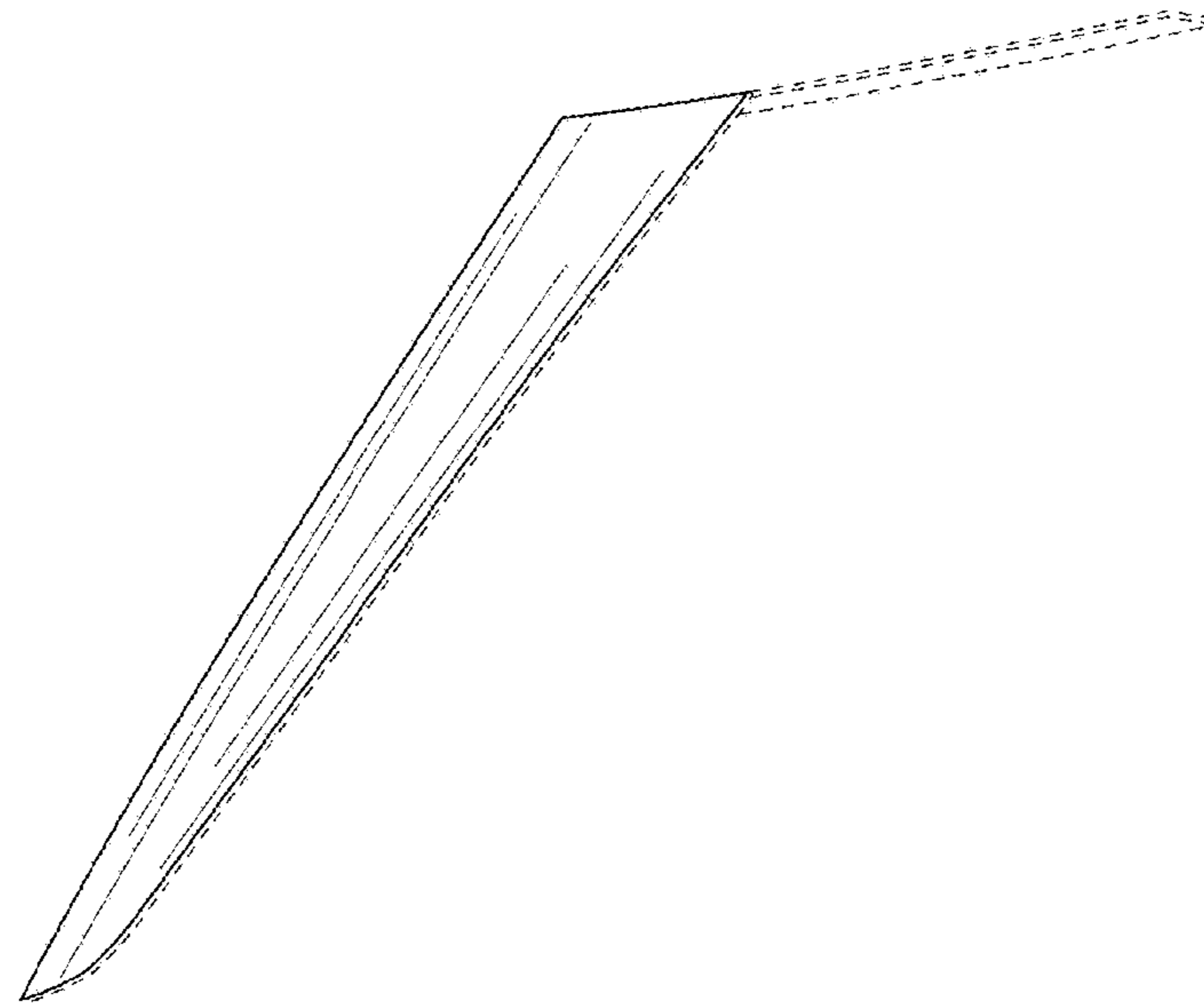


FIG. 4

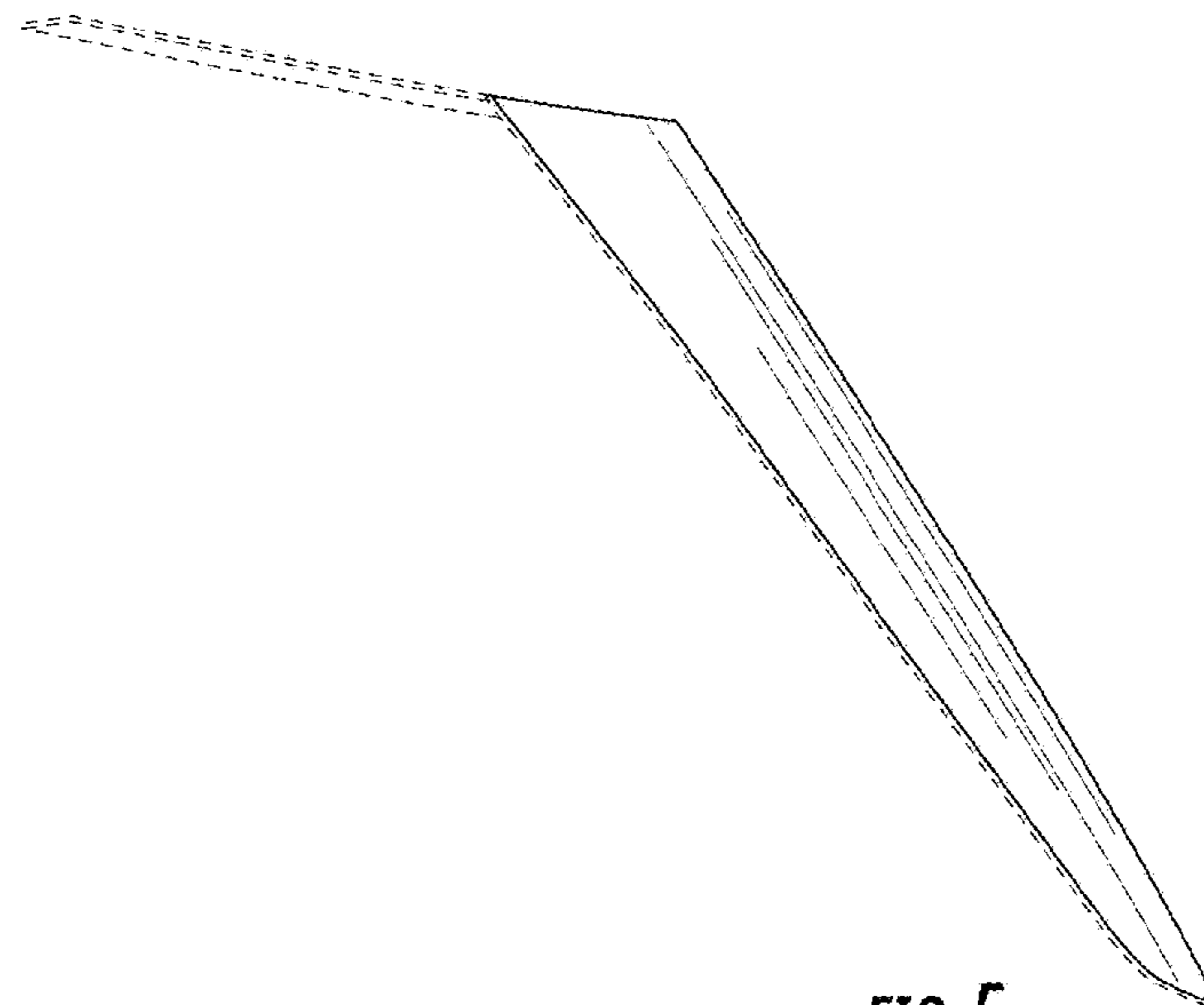


FIG. 5

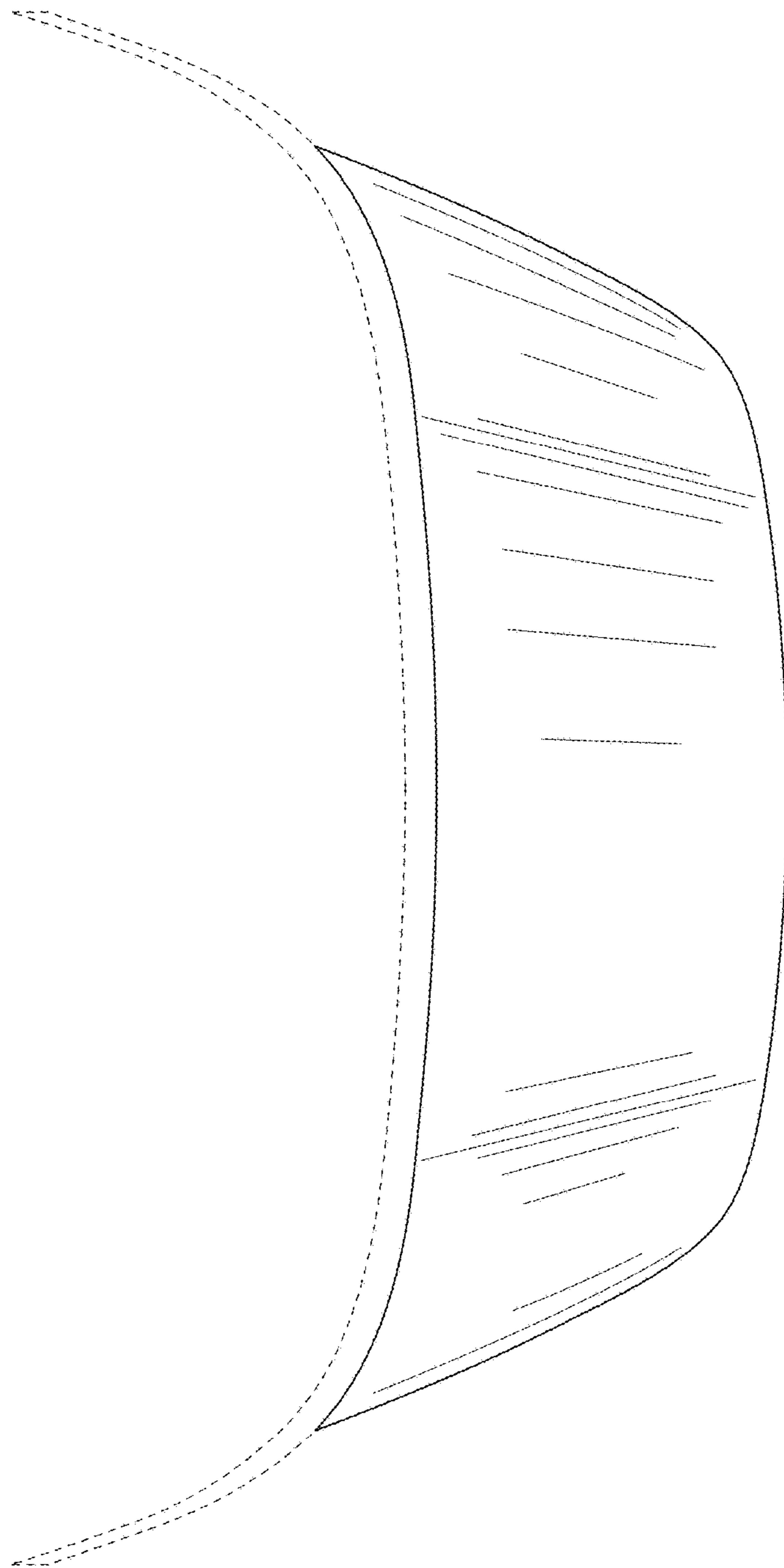


FIG. 6

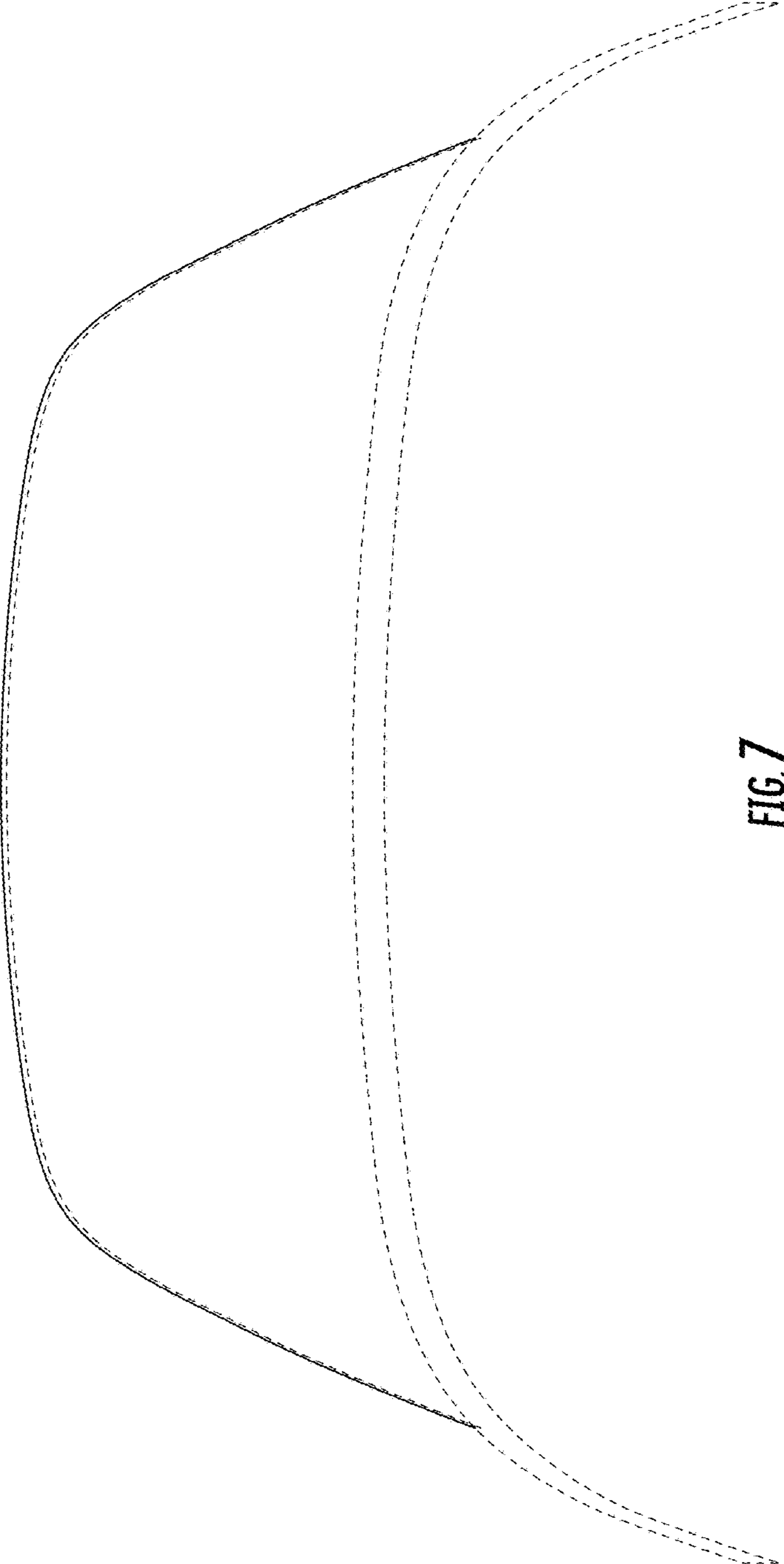


FIG. 7



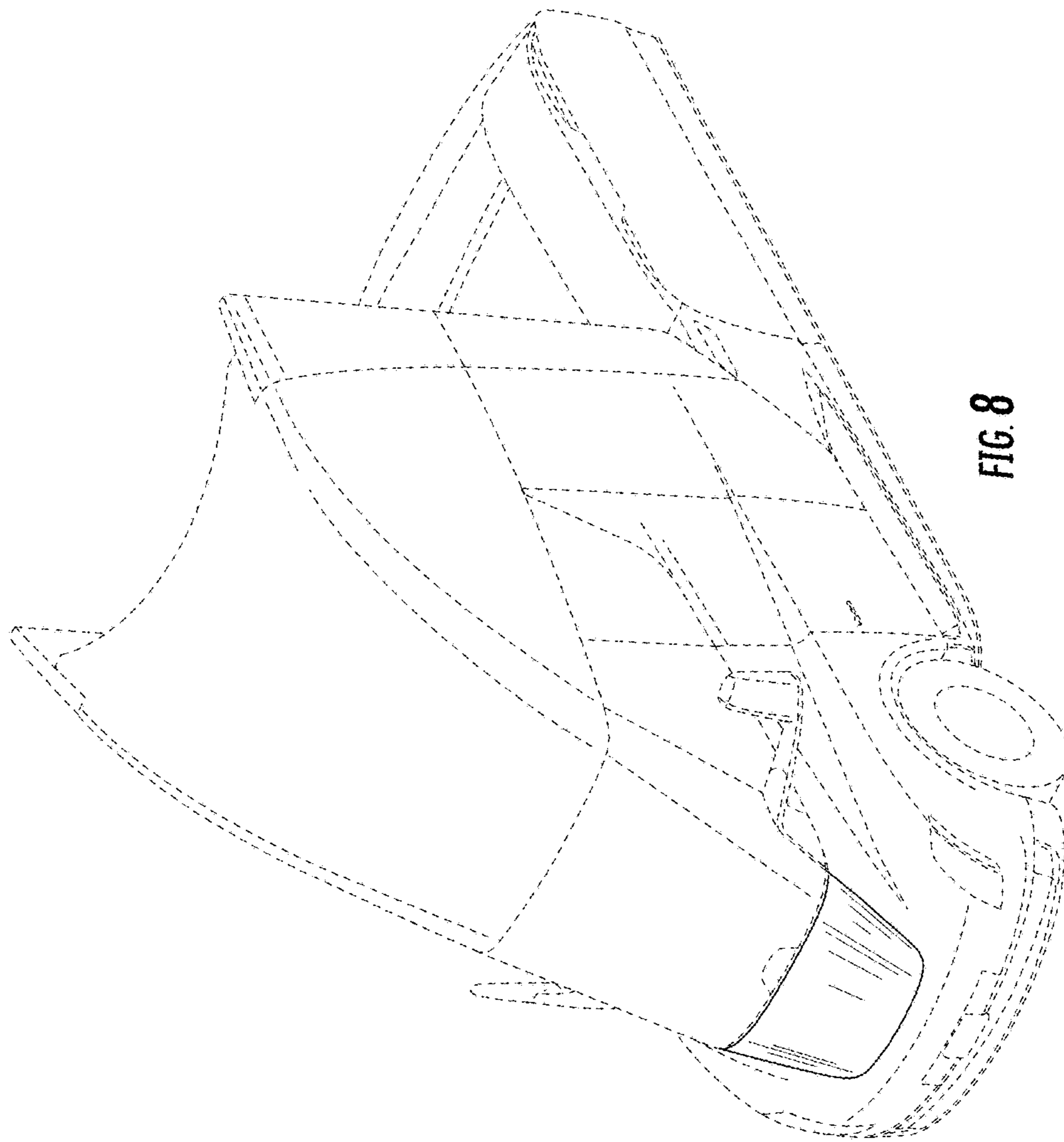


FIG. 8