

US00D862317S

(12) **United States Design Patent** (10) **Patent No.:** **US D862,317 S**
Drever (45) **Date of Patent:** **** Oct. 8, 2019**

(54) **VEHICLE GRILLE GUARD**
(71) Applicant: **Holt Sales & Services, Inc**, Des Moines, IA (US)
(72) Inventor: **Jeremy Drever**, Ankeny, IA (US)
(73) Assignee: **Holt Sales & Service, Inc.**, Des Moines, IA (US)
(**) Term: **15 Years**
(21) Appl. No.: **29/638,270**
(22) Filed: **Feb. 26, 2018**

D410,879 S * 6/1999 Orth, Sr. D12/171
D416,219 S * 11/1999 Waagenaar D12/171
D422,952 S * 4/2000 Waagenaar D12/171
D422,953 S * 4/2000 Waagenaar D12/171
D440,530 S * 4/2001 Geisler D12/171

(Continued)

Primary Examiner — Darlington Ly
(74) *Attorney, Agent, or Firm* — Davis, Brown, Koehn, Shors & Roberts, P.C.; Matthew Warner-Blankenship

(57) **CLAIM**

The ornamental design for a vehicle grille guard, as shown and described.

DESCRIPTION

FIG. 1 is a top, front, and right side perspective view of a vehicle grille guard showing my new design in accordance to a first embodiment;
FIG. 2 is a top, rear, and right side perspective view thereof;
FIG. 3 is a right side elevation view thereof;
FIG. 4 is a left side elevation view thereof;
FIG. 5 is a front elevation view thereof;
FIG. 6 is a rear elevation view thereof;
FIG. 7 is a top plan view thereof; and
FIG. 8 is a bottom plan view thereof.
FIG. 9 is a top, front, and right side perspective view of a vehicle grille guard showing my new design in accordance to a second embodiment;
FIG. 10 is a top, rear, and right side perspective view thereof;
FIG. 11 is a right side elevation view thereof;
FIG. 12 is a left side elevation view thereof;
FIG. 13 is a front elevation view thereof;
FIG. 14 is a rear elevation view thereof;
FIG. 15 is a top plan view thereof; and
FIG. 16 is a bottom plan view thereof.
The broken lines in the drawings illustrate portions of the vehicle grille guard that form no part of the claimed design.

Related U.S. Application Data

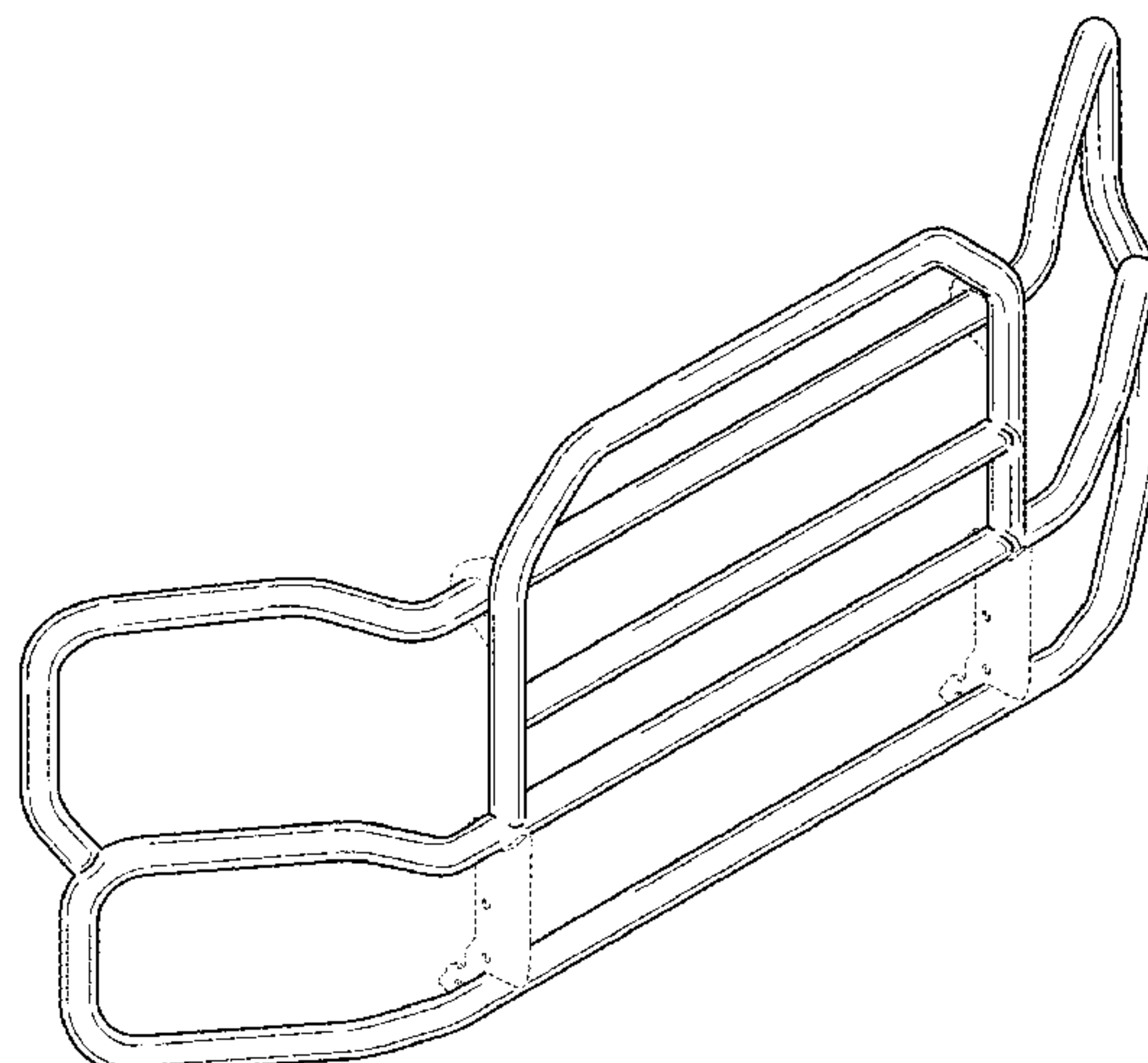
(63) Continuation of application No. 29/555,466, filed on Feb. 22, 2016, now Pat. No. Des. 811,295.
(51) **LOC (12) Cl.** **12-16**
(52) **U.S. Cl.**
USPC **D12/171**
(58) **Field of Classification Search**
USPC D12/86, 90, 91, 92, 163, 164, 169, 171, D12/196, 216; D21/533, 538, 541, 542, D21/548, 549, 551, 562
CPC B60R 19/02; B60R 19/18; B60R 19/24; B60R 19/56; B60R 2019/007
See application file for complete search history.

References Cited

U.S. PATENT DOCUMENTS

(56) D280,398 S * 9/1985 Milton D12/171
D307,256 S * 4/1990 Holland D12/171
D333,457 S * 2/1993 La Foe D12/171
D361,316 S * 8/1995 Orth, Sr. D12/171
D383,719 S * 9/1997 Thorne D12/171
D384,625 S * 10/1997 Thorne D12/171
D388,042 S * 12/1997 Thorne D12/171
D396,678 S * 8/1998 Shklyaver D12/171

1 Claim, 12 Drawing Sheets



(56)

References Cited

U.S. PATENT DOCUMENTS

D483,708 S	*	12/2003	Roehmer	D12/171
D523,383 S	*	6/2006	Fox	D12/171
D528,481 S	*	9/2006	Taveras	D12/171
D572,180 S	*	7/2008	Storer	D12/171
D606,913 S	*	12/2009	Robertson	D12/171

* cited by examiner

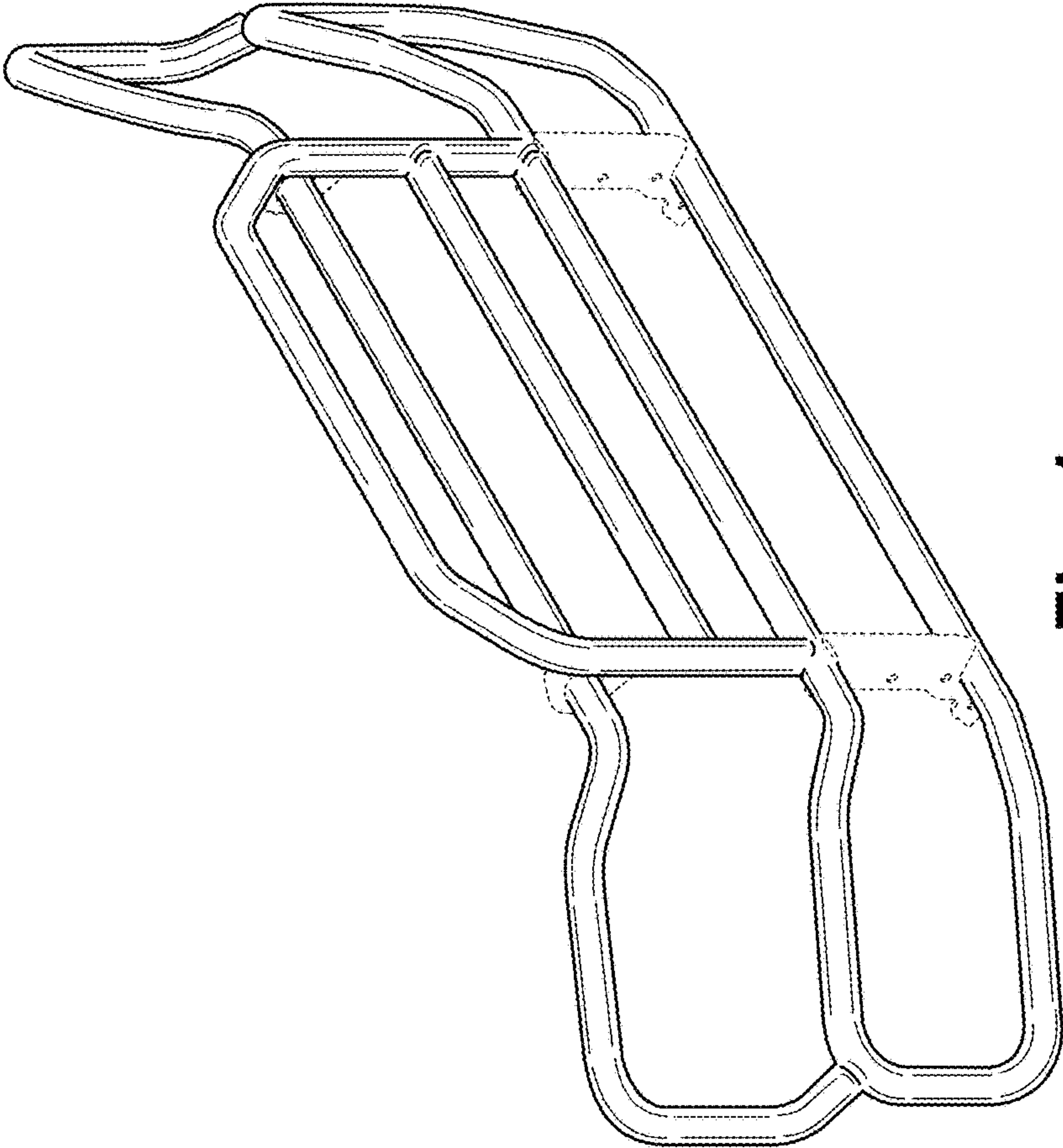


Fig. 1

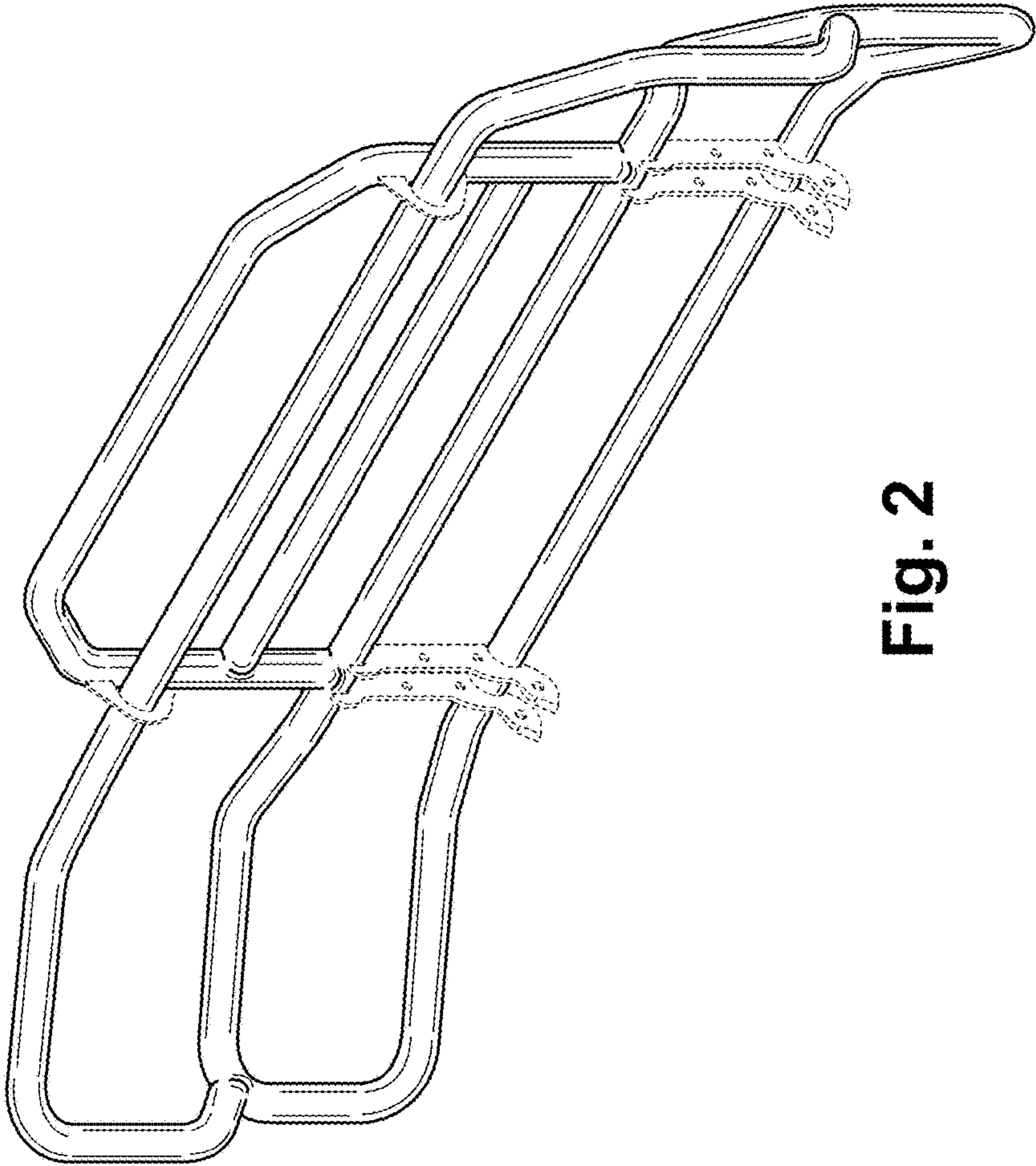


Fig. 2

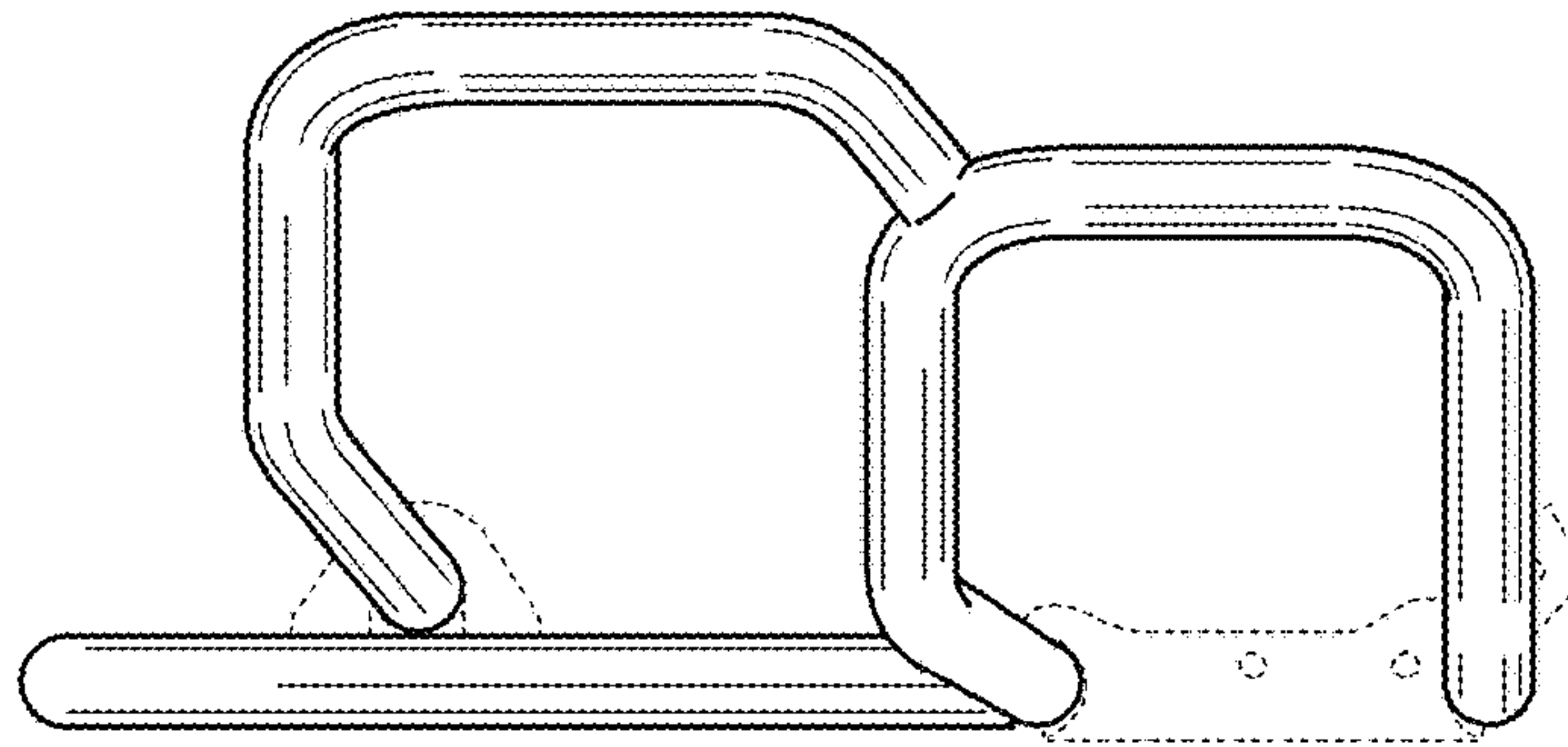


Fig. 4

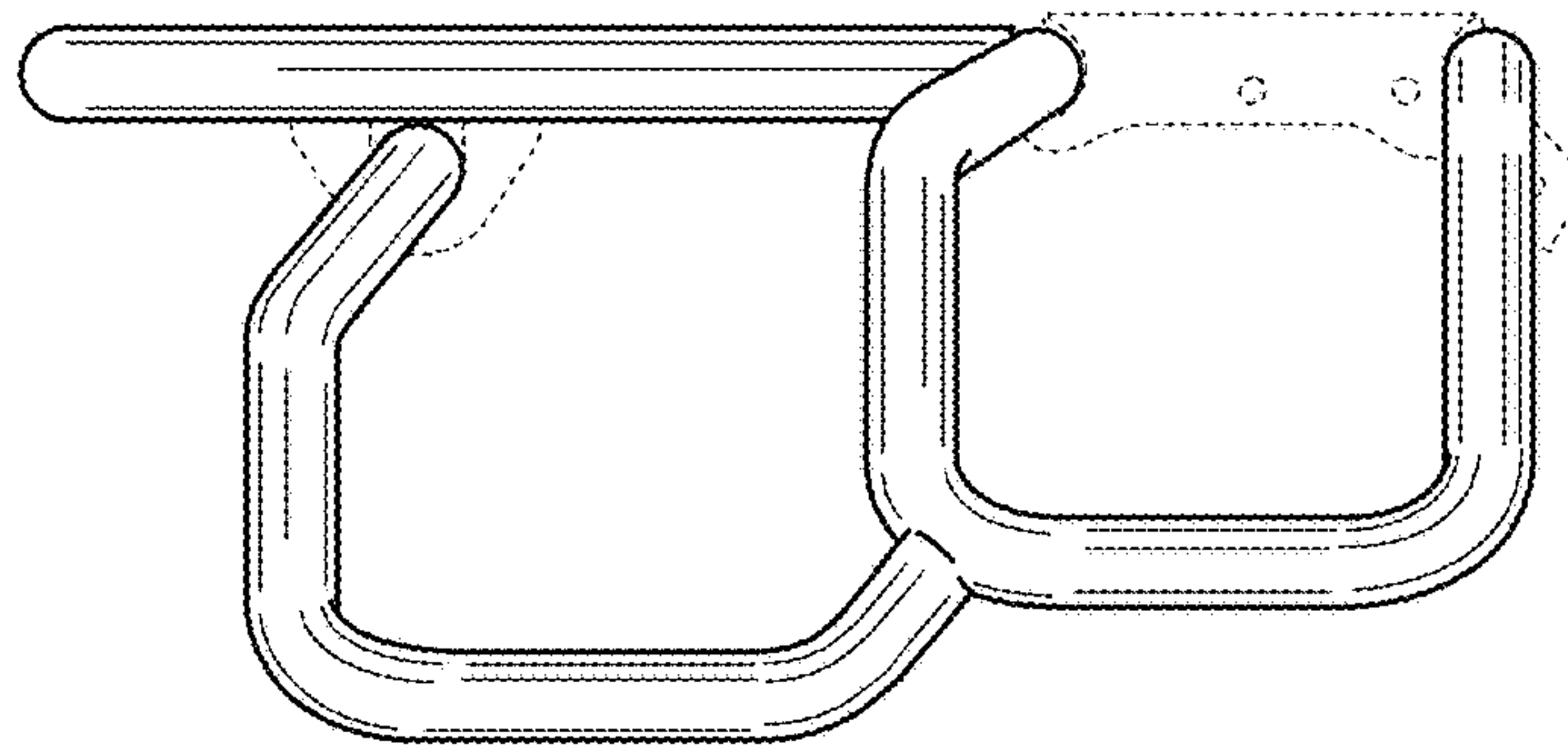


Fig. 3

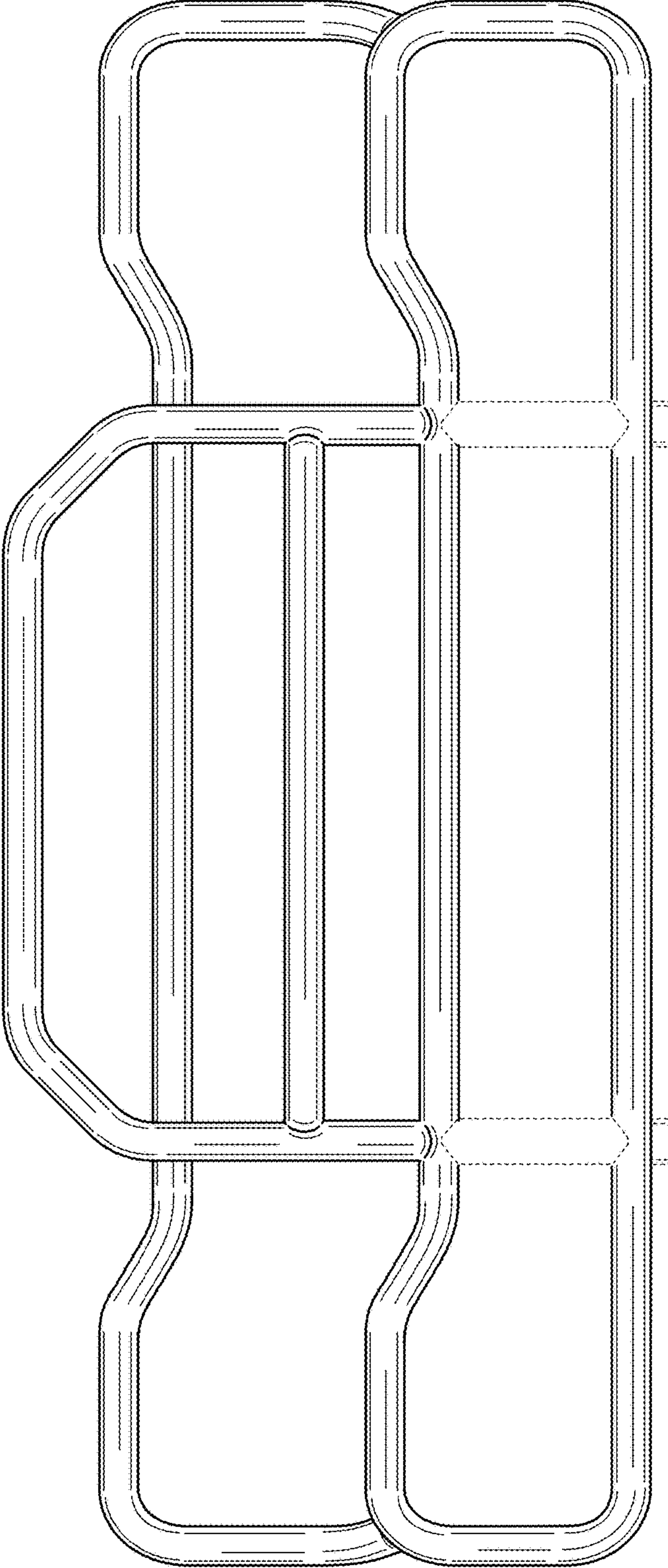


Fig. 5

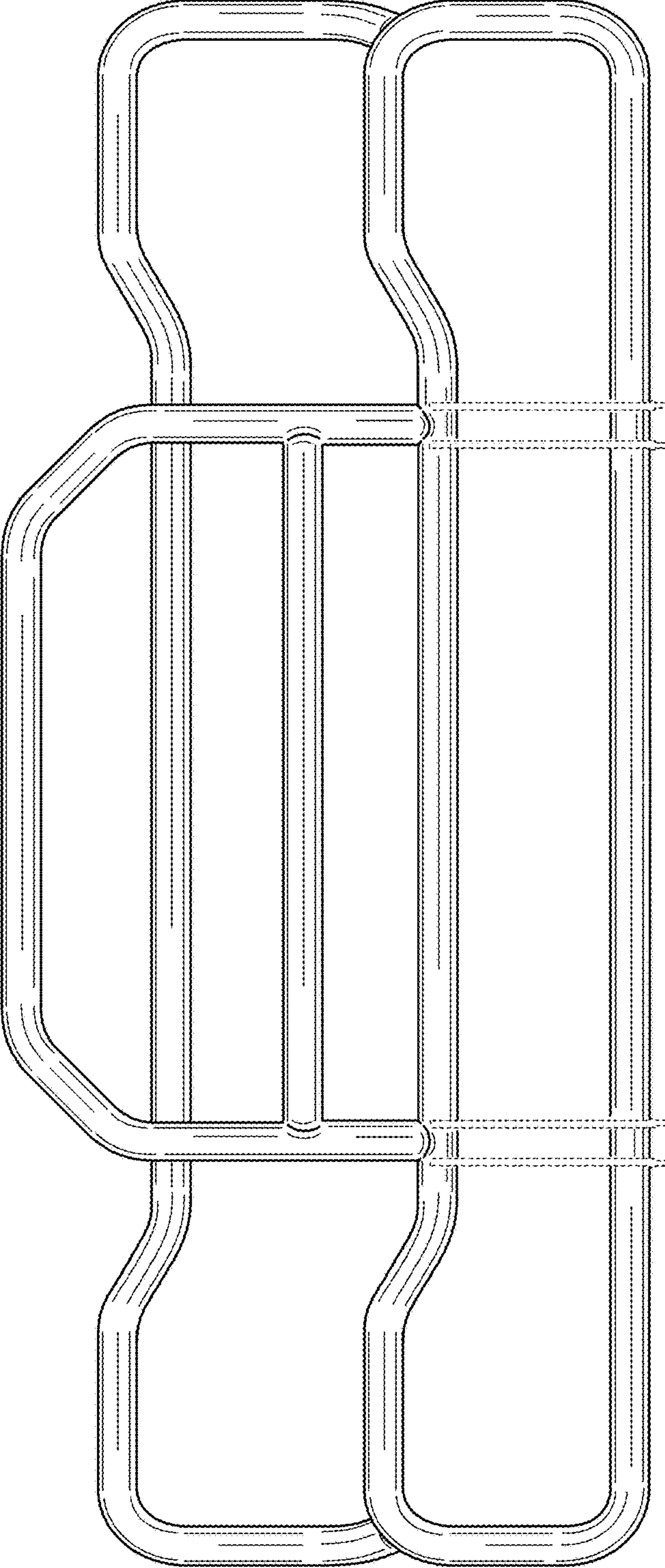


Fig. 6

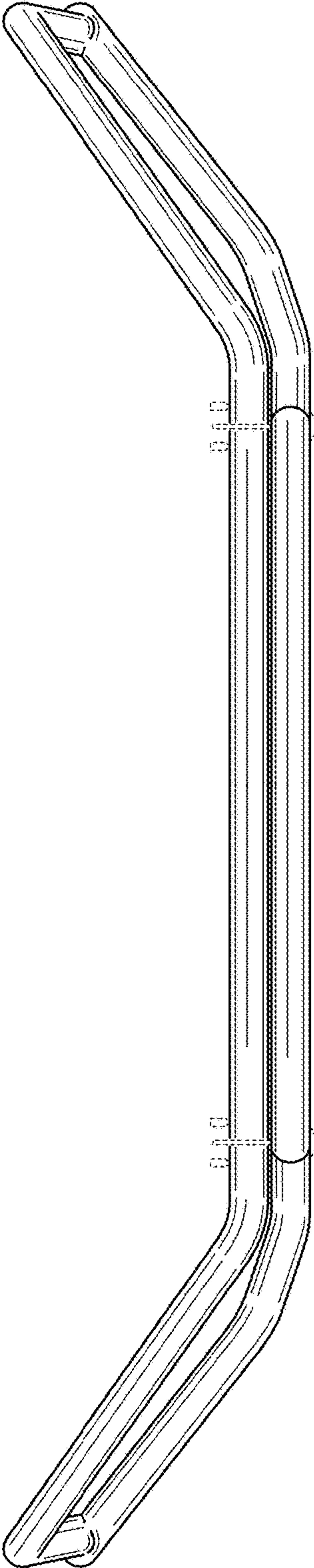


Fig. 7



Fig. 8

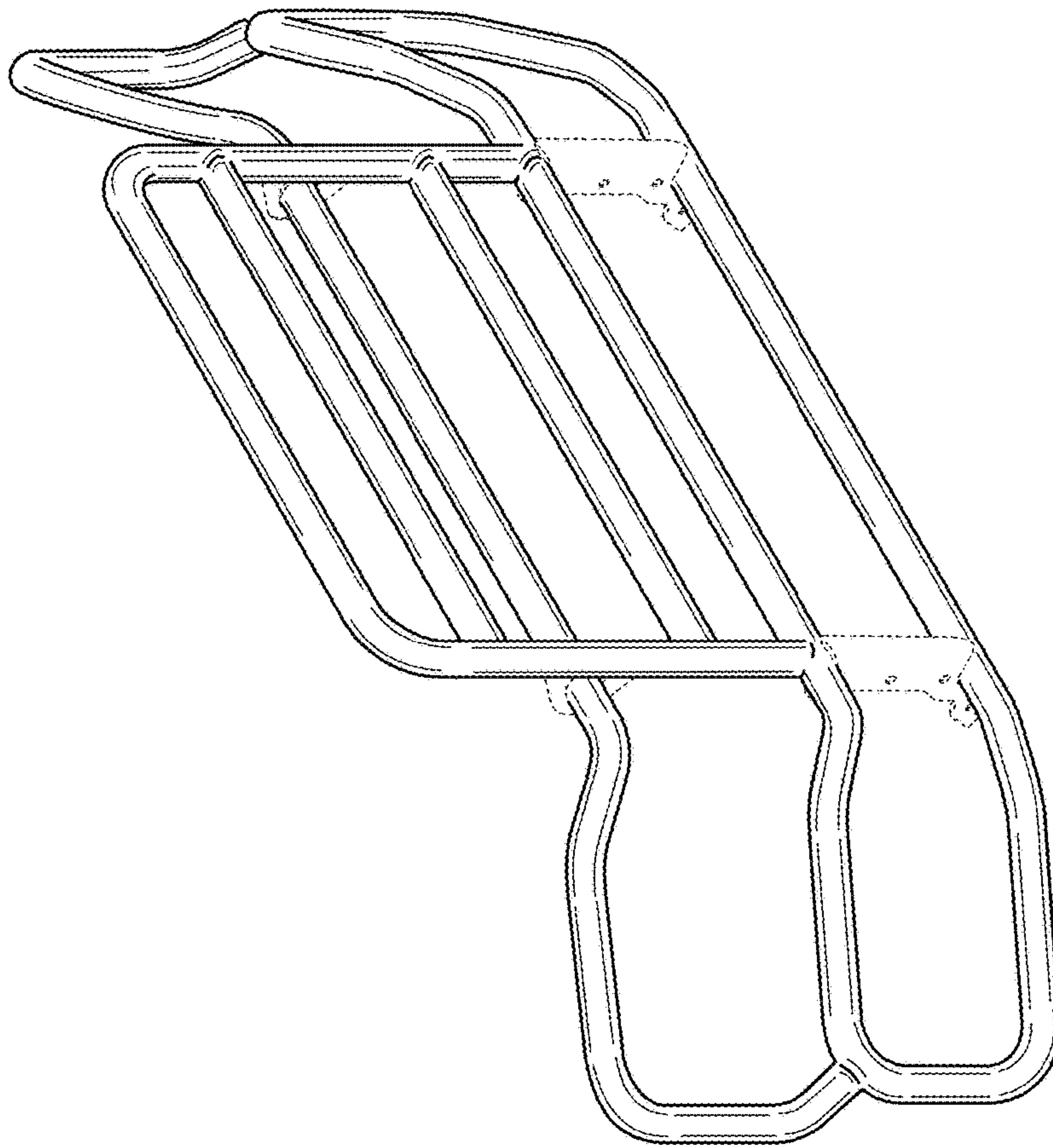


Fig. 9

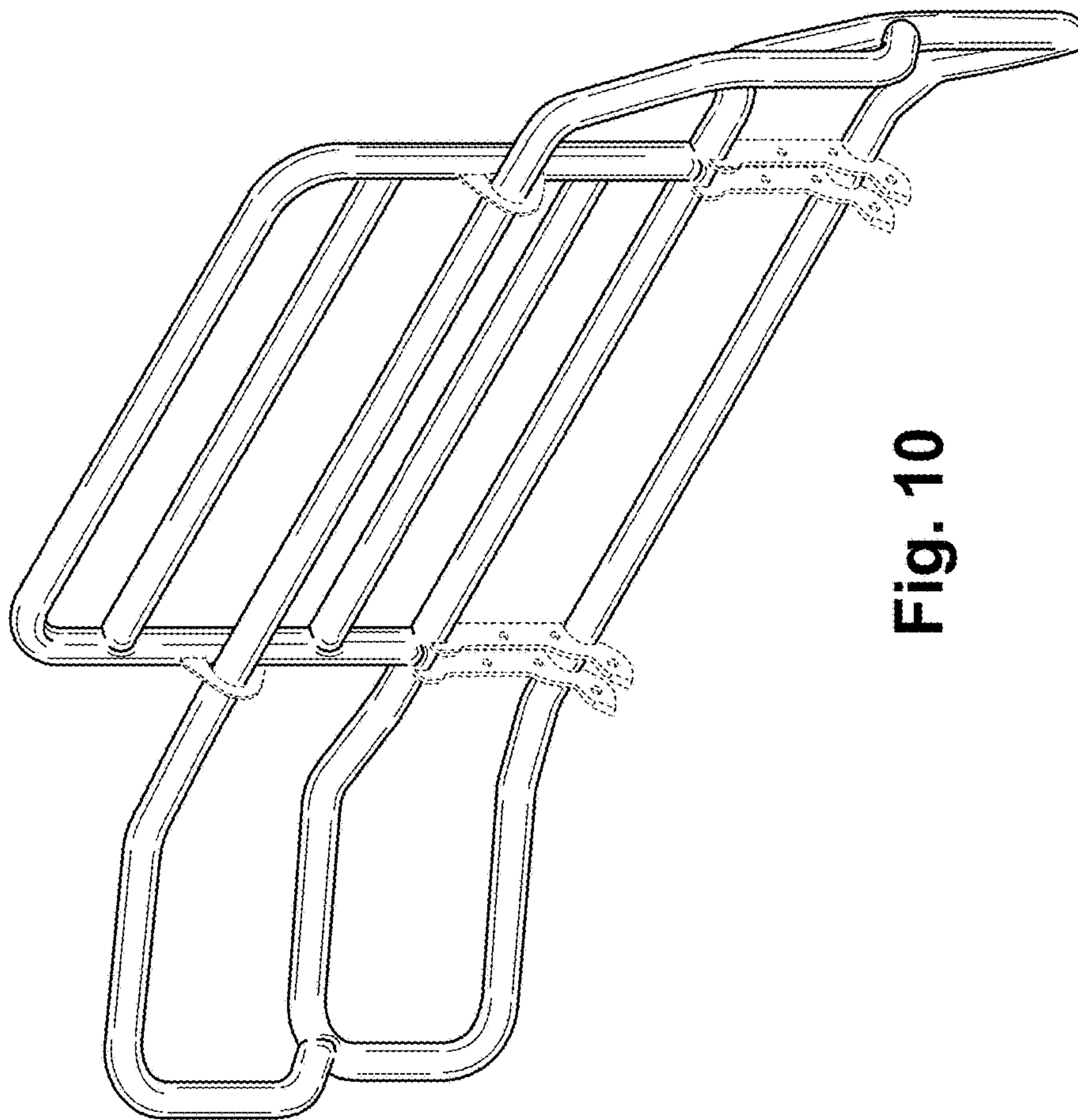


Fig. 10

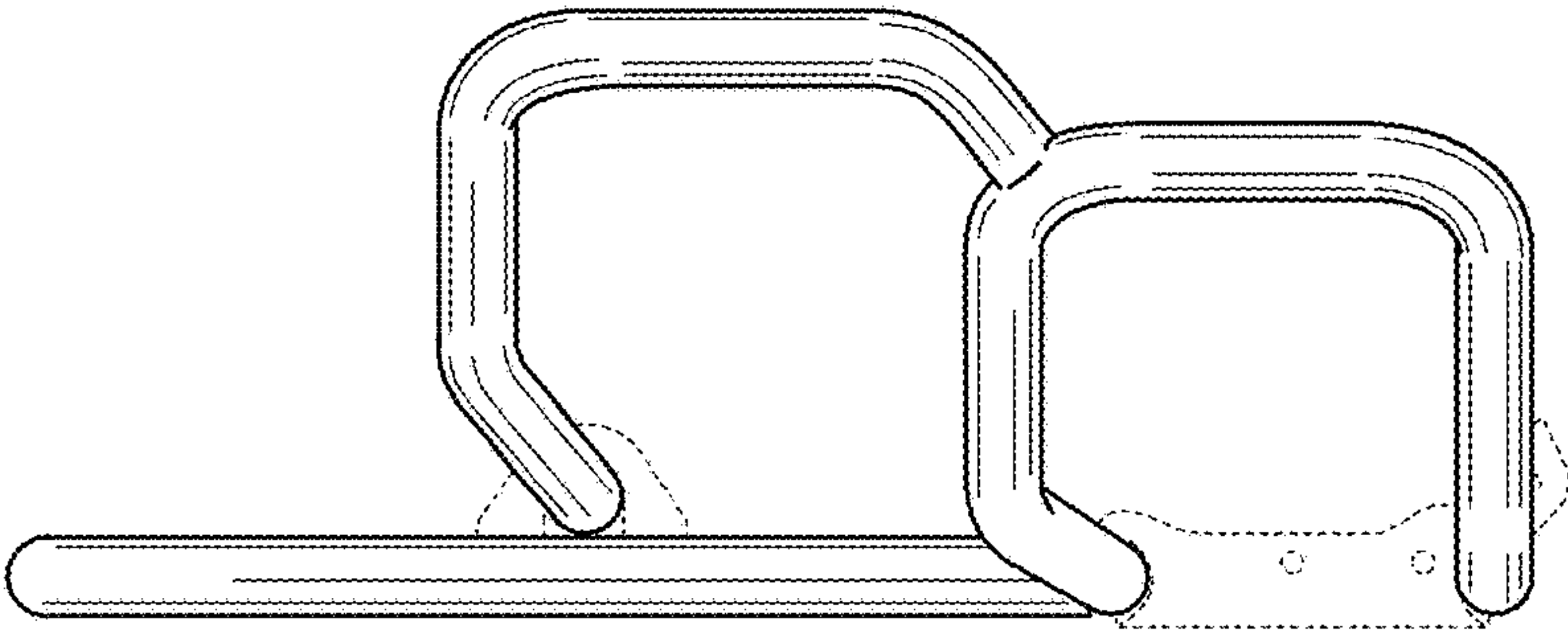


Fig. 12

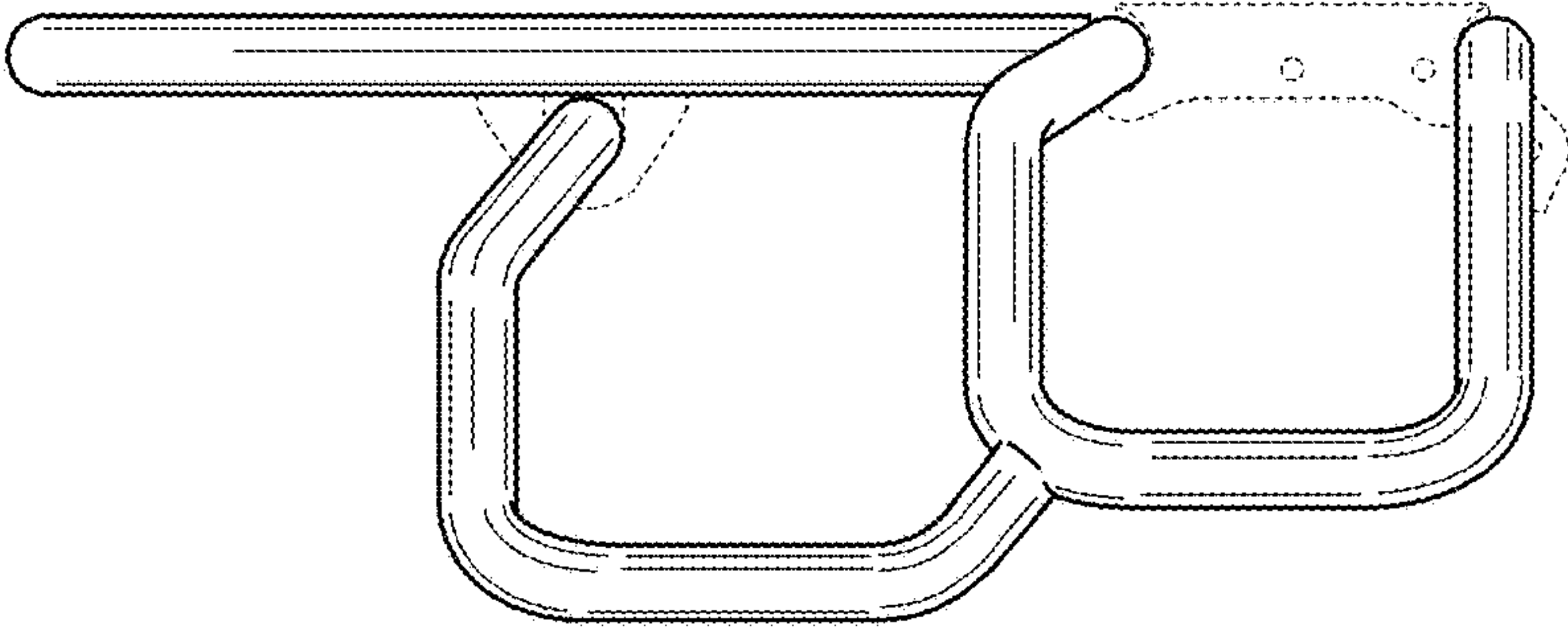


Fig. 11

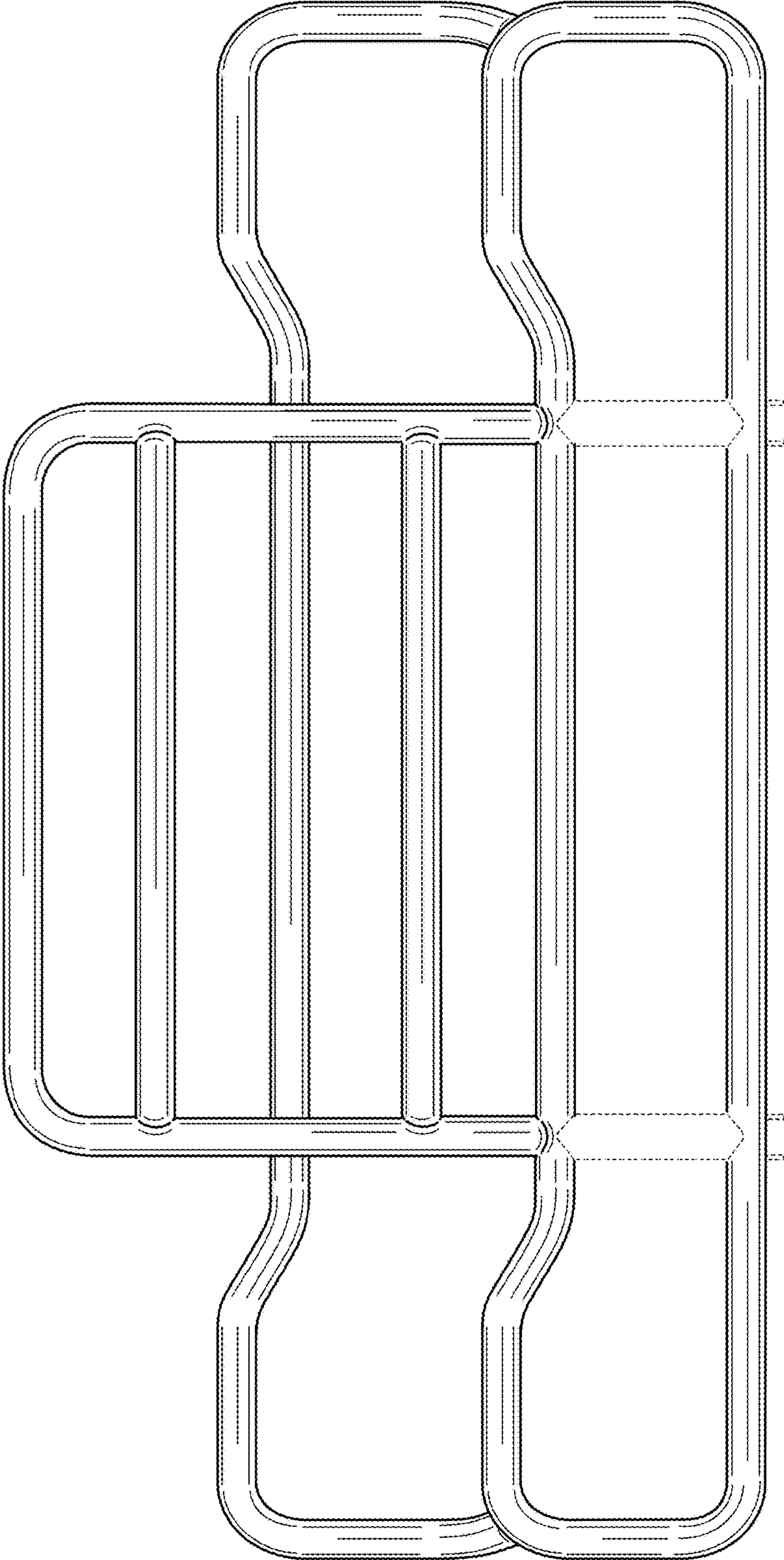


Fig. 13

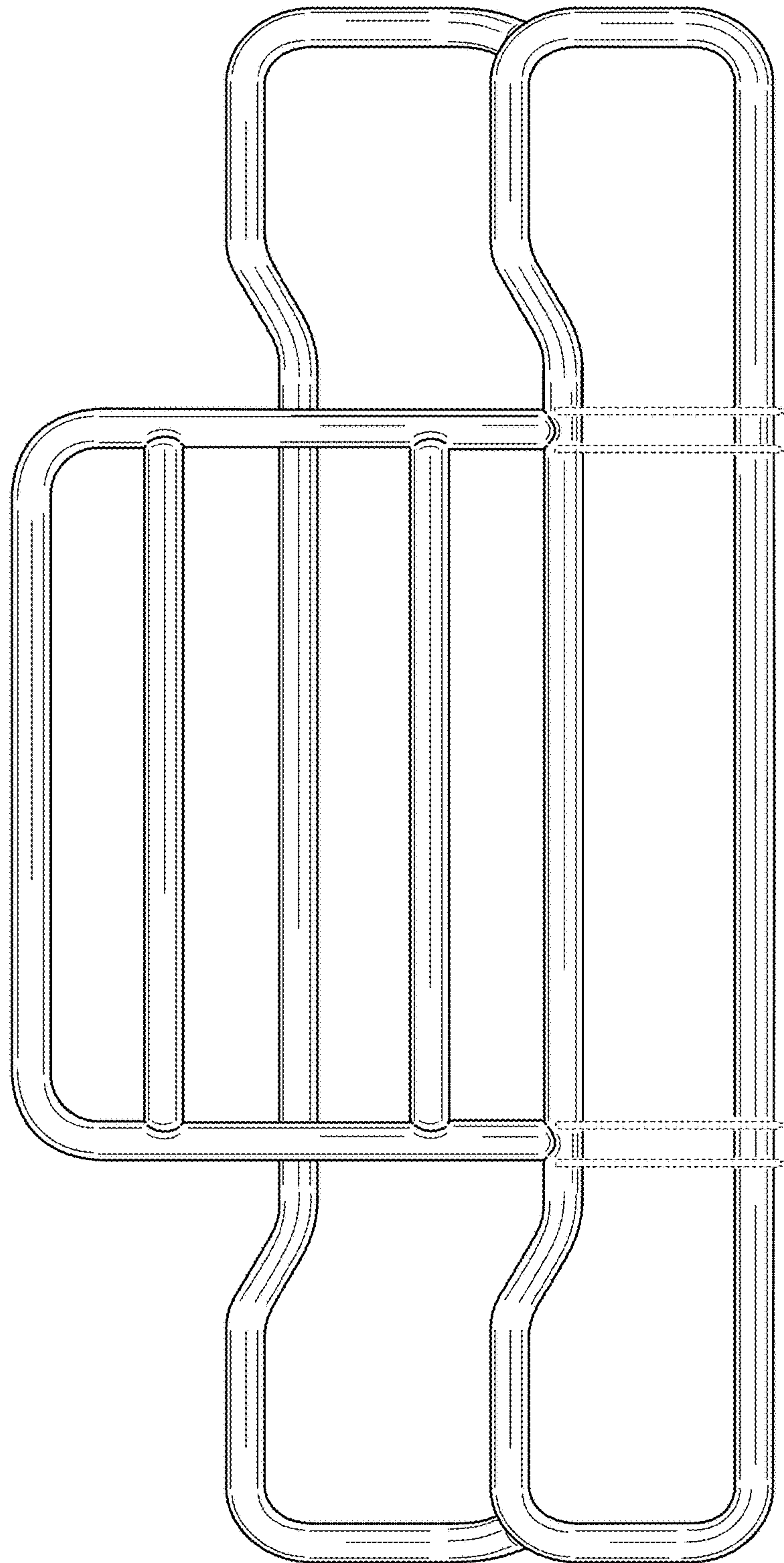


Fig. 14

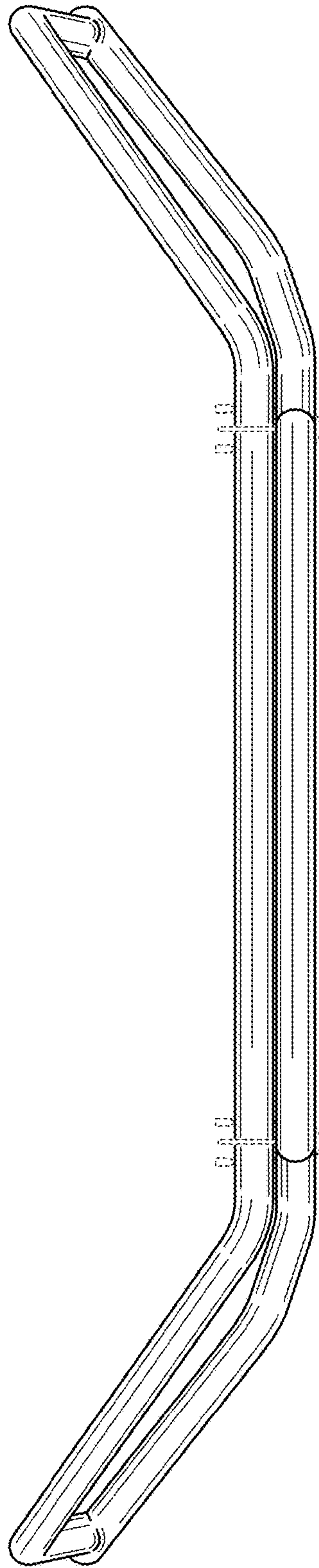


Fig. 15

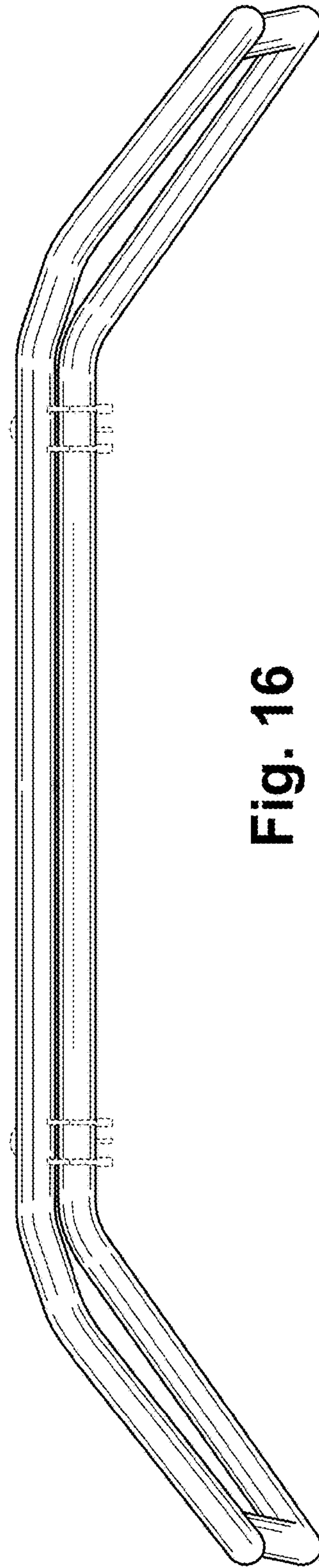


Fig. 16