



US00D862313S

(12) **United States Design Patent**  
**Von Holzhausen et al.**

(10) **Patent No.:** **US D862,313 S**  
(45) **Date of Patent:** **\*\* Oct. 8, 2019**

- (54) **REAR PANEL FOR A VEHICLE**
- (71) Applicant: **Tesla, Inc.**, Palo Alto, CA (US)
- (72) Inventors: **Franz Von Holzhausen**, Malibu, CA (US); **David Tadashi Imai**, Los Angeles, CA (US); **Randy Rodriguez**, Torrance, CA (US)
- (73) Assignee: **Tesla, Inc.**, Palo Alto, CA (US)
- (\*\*) Term: **15 Years**
- (21) Appl. No.: **29/619,698**
- (22) Filed: **Sep. 29, 2017**
- (51) **LOC (12) Cl.** ..... **12-16**
- (52) **U.S. Cl.**  
USPC ..... **D12/169**
- (58) **Field of Classification Search**  
USPC ..... D12/86, 90, 91, 92, 163, 169, 171, 196, D12/216  
CPC ..... B60R 19/02; B60R 19/03; B60R 19/04; B62D 25/08; B62D 25/12; B60J 5/10; B60J 5/101; B60J 5/102; B60J 5/103; B60J 5/107  
See application file for complete search history.

- D463,999 S \* 10/2002 Beck ..... D12/16
- D491,104 S \* 6/2004 Berg ..... D12/7
- 7,017,969 B1 \* 3/2006 Kirkham ..... B60R 13/011  
296/39.1
- 7,341,289 B2 \* 3/2008 Schretzlmeier ..... E05B 83/26  
292/92
- D596,546 S \* 7/2009 Habib ..... D12/196
- 7,597,378 B2 \* 10/2009 Ichinose ..... B62D 25/105  
296/76
- D695,177 S \* 12/2013 Matsueda ..... D12/196
- D764,994 S \* 8/2016 Jo ..... D12/196
- D785,532 S \* 5/2017 Park ..... D12/196
- D791,030 S \* 7/2017 Faghihzadeh ..... D12/196
- D813,773 S \* 3/2018 Cho ..... D12/196
- D823,211 S \* 7/2018 Lim ..... D12/196

(Continued)

*Primary Examiner* — Susan Bennett Hattan  
*Assistant Examiner* — Suzanne E Tisdell  
(74) *Attorney, Agent, or Firm* — Haynes and Boone, LLP

(57) **CLAIM**

The ornamental design for a rear panel for a vehicle, as shown and described.

**DESCRIPTION**

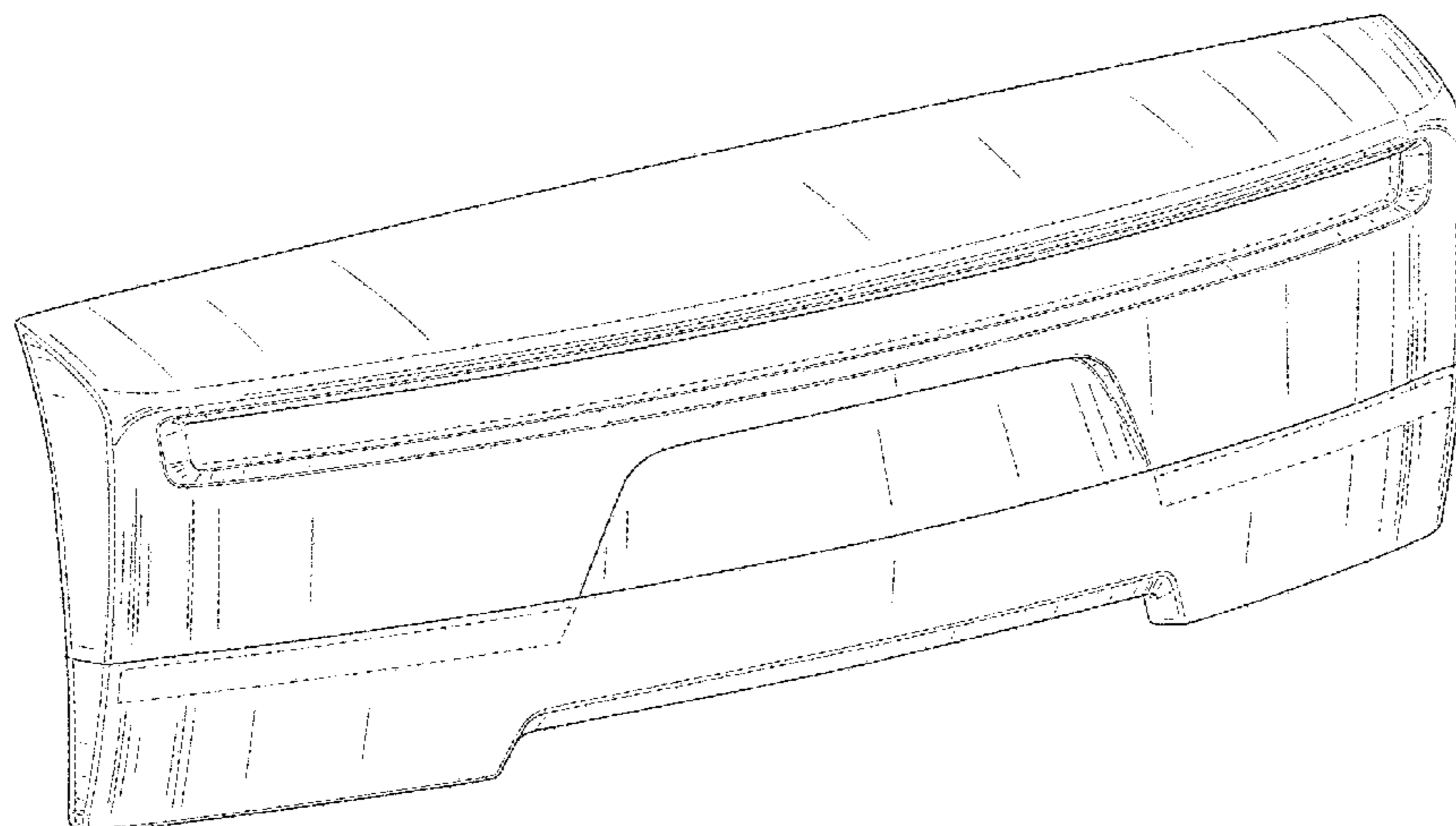
FIG. 1 is a perspective view of a rear panel for a vehicle. FIG. 2 is a front elevational view of the rear panel for a vehicle of FIG. 1. FIG. 3 is a back elevational view of the rear panel for a vehicle of FIG. 1. FIG. 4 is a side elevational view of the rear panel for a vehicle of FIG. 1. FIG. 5 is a side elevational view of the rear panel for a vehicle of FIG. 1 from the opposite side from FIG. 4. FIG. 6 is a top plan view of the rear panel for a vehicle of FIG. 1; and, FIG. 7 is a bottom plan view of the rear panel for a vehicle of FIG. 1. The items shown with broken lines form no part of the claimed design.

**1 Claim, 5 Drawing Sheets**

(56) **References Cited**

U.S. PATENT DOCUMENTS

- 2,391,310 A \* 12/1945 Heller ..... B60R 5/04  
224/496
- 2,772,041 A \* 11/1956 Zeabari ..... B60R 9/06  
224/42.32
- 2,889,619 A \* 6/1959 Robinson ..... B23K 33/008  
228/137
- 3,783,655 A \* 1/1974 Giannetto ..... E05B 83/16  
70/1.5
- D243,077 S \* 1/1977 Pray ..... D12/196
- 6,357,815 B1 \* 3/2002 Queveau ..... B60J 7/205  
296/107.08



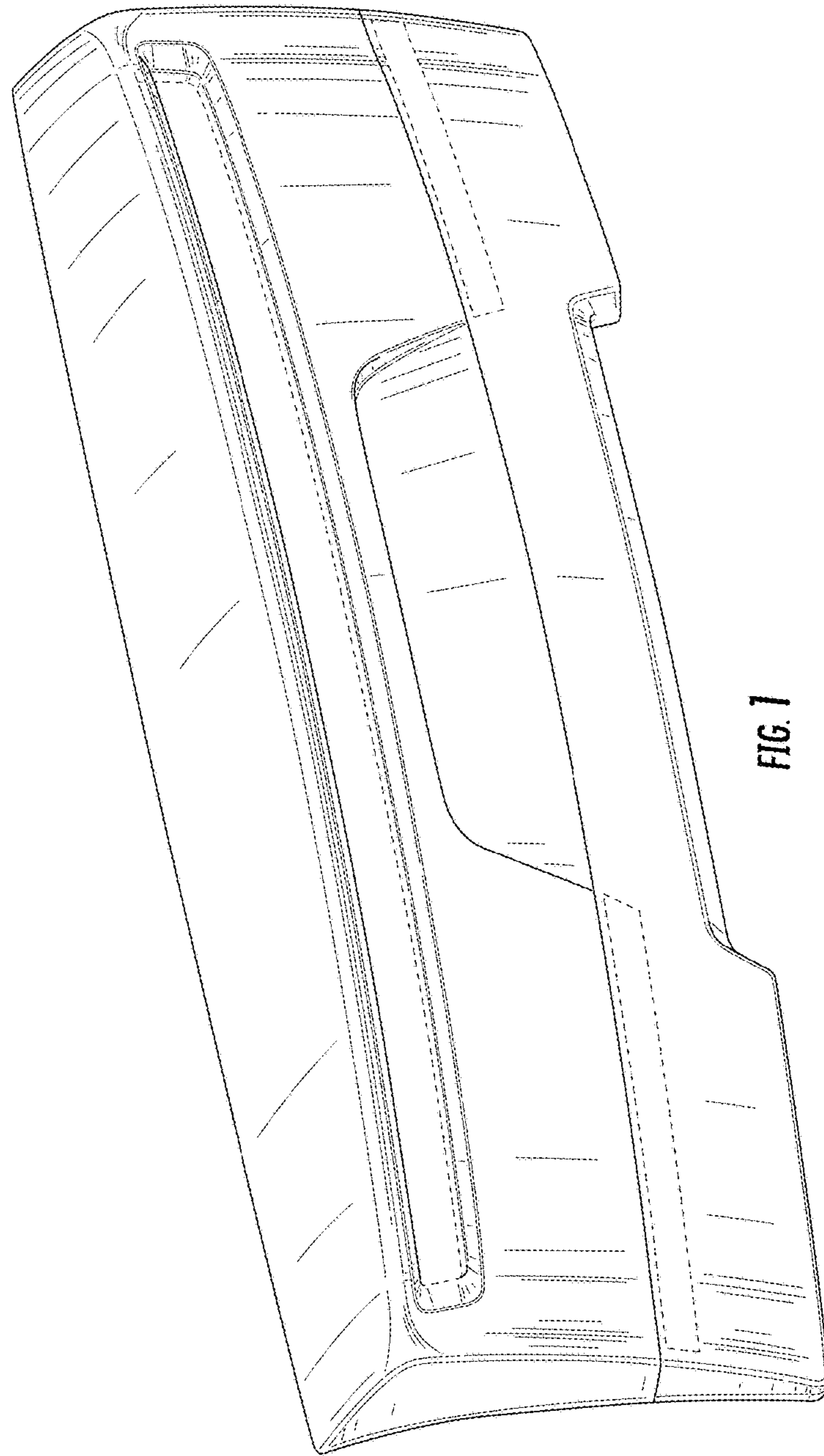
(56)

**References Cited**

U.S. PATENT DOCUMENTS

D825,421 S	*	8/2018	Kim	.....	D12/196
D829,625 S	*	10/2018	Kim	.....	D12/196
D831,553 S	*	10/2018	Ojea	.....	D12/196
D839,168 S	*	1/2019	Cho	.....	D12/196

\* cited by examiner



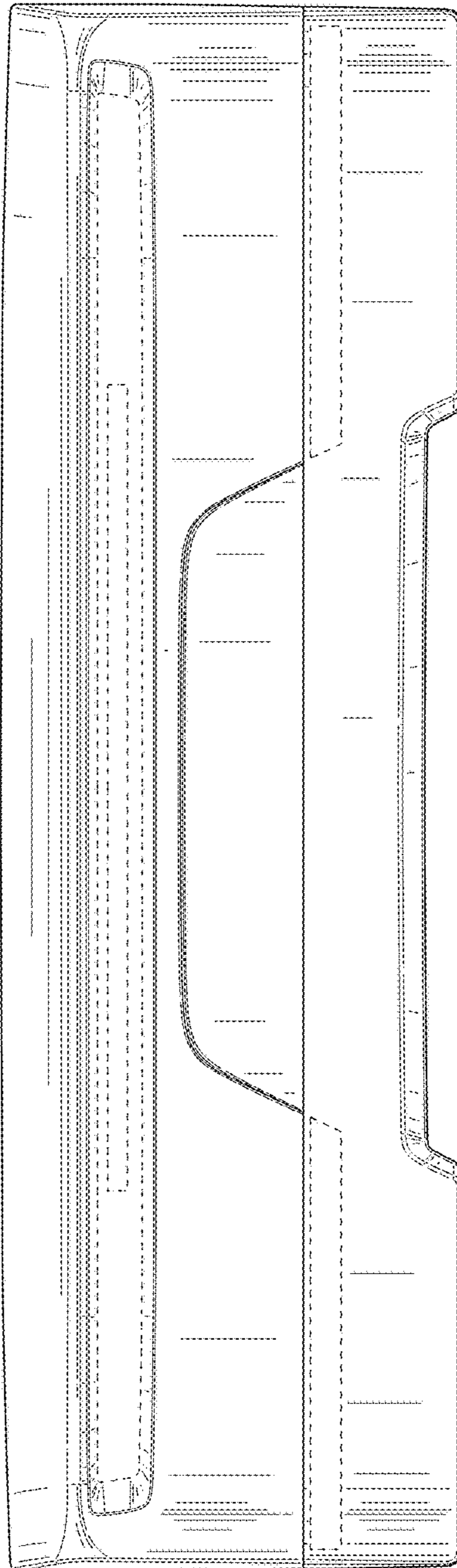


FIG. 2

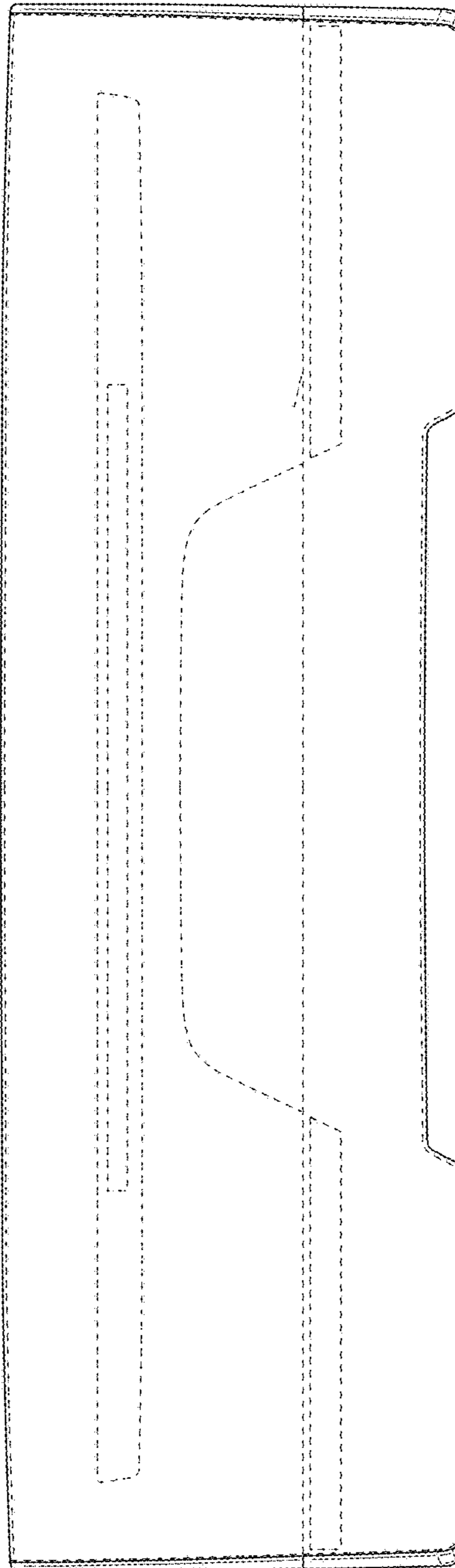


FIG. 3

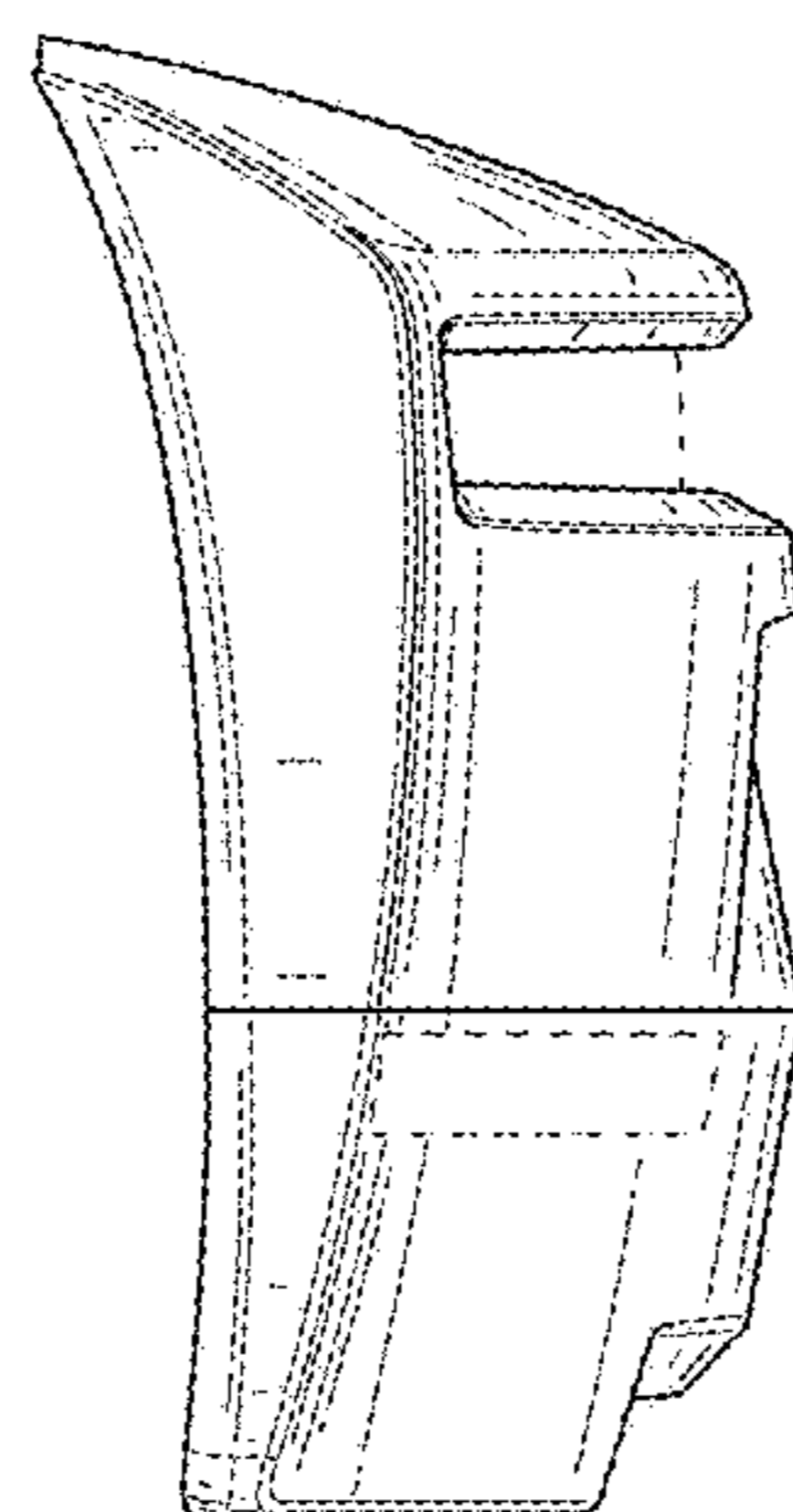


FIG. 4

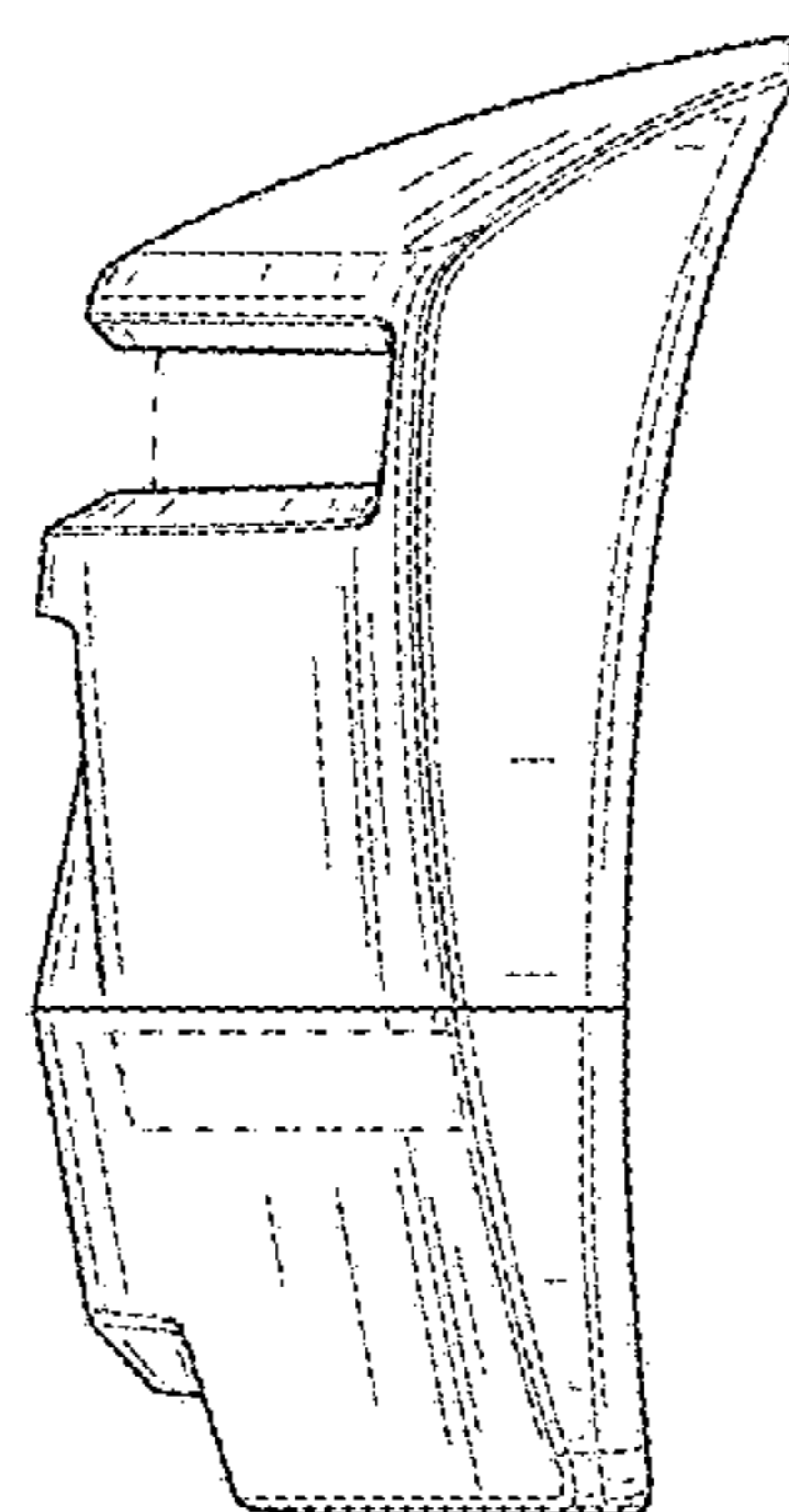


FIG. 5

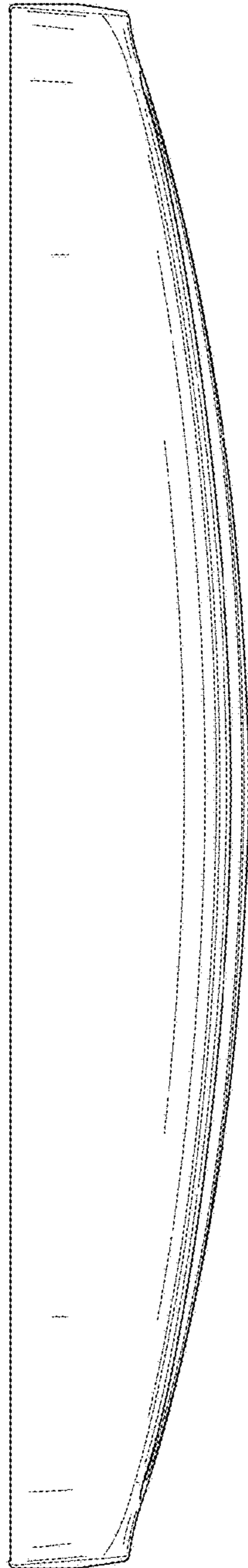


FIG. 6

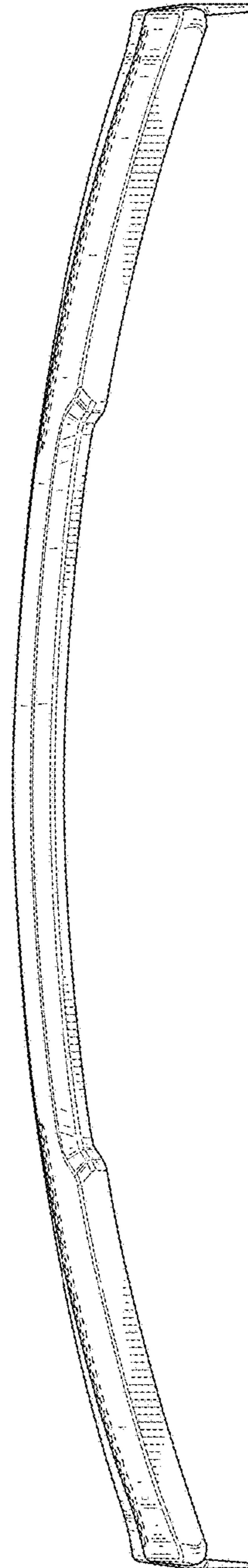


FIG. 7