

US00D862311S

(12) **United States Design Patent** (10) **Patent No.:** **US D862,311 S**
Dewitt et al. (45) **Date of Patent:** **** Oct. 8, 2019**

(54) **VEHICLE FRONT LOWER GRILLE**

(71) Applicant: **Ford Global Technologies, LLC,**
Dearborn, MI (US)

(72) Inventors: **David Dewitt,** Docklands (AU); **Todd Willing,** East Melbourne (AU); **Max Wolff,** Birmingham, MI (US); **Pedro Guarinon,** Melbourne (AU)

(73) Assignee: **Ford Global Technologies, LLC,**
Dearborn, MI (US)

(**) Term: **15 Years**

(21) Appl. No.: **29/635,004**

(22) Filed: **Jan. 26, 2018**

(51) **LOC (12) Cl.** **12-16**

(52) **U.S. Cl.**
USPC **D12/163**

(58) **Field of Classification Search**
USPC D12/163, 164, 165, 166, 167, 168, 169,
D12/170, 171, 172, 173, 181
CPC B60K 11/08; B62L 39/16; B60R 19/50;
B62D 25/08
See application file for complete search history.

(56) **References Cited**

U.S. PATENT DOCUMENTS

D307,124 S *	4/1990	Hayashi	D12/163
D379,467 S *	5/1997	Martin	D15/89
D593,460 S *	6/2009	Schiavone	D12/163
D680,921 S *	4/2013	Jara	D12/163
D692,804 S *	11/2013	Song	D12/163
D698,704 S *	2/2014	Rupar	D12/163
D701,804 S *	4/2014	Campbell	D12/169
D754,571 S *	4/2016	Boniface	D12/163
D769,778 S *	10/2016	Messale	D12/163
D780,644 S *	3/2017	Kim	D12/163
D786,743 S *	5/2017	Smith	D12/163
D787,988 S *	5/2017	Lee	D12/163

D788,656 S *	6/2017	Svensson	D12/163
D791,653 S *	7/2017	Svensson	D12/163
D805,968 S *	12/2017	Piscitelli	D12/163
D806,616 S *	1/2018	Granlund	D12/163
D813,732 S *	3/2018	Whitla	D12/163
D815,994 S *	4/2018	Nakamura	D12/163
D823,179 S *	7/2018	Platto	D12/163
D824,812 S *	8/2018	Loeb	D12/163
D825,403 S *	8/2018	Whitla	D12/163
D827,510 S *	9/2018	Kim	D12/163
D827,511 S *	9/2018	Woodhouse	D12/163
D827,513 S *	9/2018	Gueler	D12/163
D830,918 S *	10/2018	Kozub	D12/163
D831,545 S *	10/2018	Smock	D12/163

* cited by examiner

Primary Examiner — Susan Bennett Hattan

Assistant Examiner — Suzanne E Tisdell

(74) *Attorney, Agent, or Firm* — LeClairRyan

(57) **CLAIM**

The ornamental design for a vehicle front lower grille, as shown and described.

DESCRIPTION

FIG. 1 is a front elevational view of a vehicle front lower grille, showing our new design;
FIG. 2 is a left side elevational view thereof;
FIG. 3 is a right side elevational view thereof;
FIG. 4 is a top plan view thereof;
FIG. 5 is a bottom plan view thereof;
FIG. 6 is a top, front, and left side perspective view thereof;
and,
FIG. 7 is a bottom, front, and left side perspective view thereof.

The broken lines depict the boundary of the claimed design and form no part of the claimed design. Portions of the vehicle shown in half-tone shading depict environmental subject matter and likewise form no part of the claimed design.

1 Claim, 7 Drawing Sheets



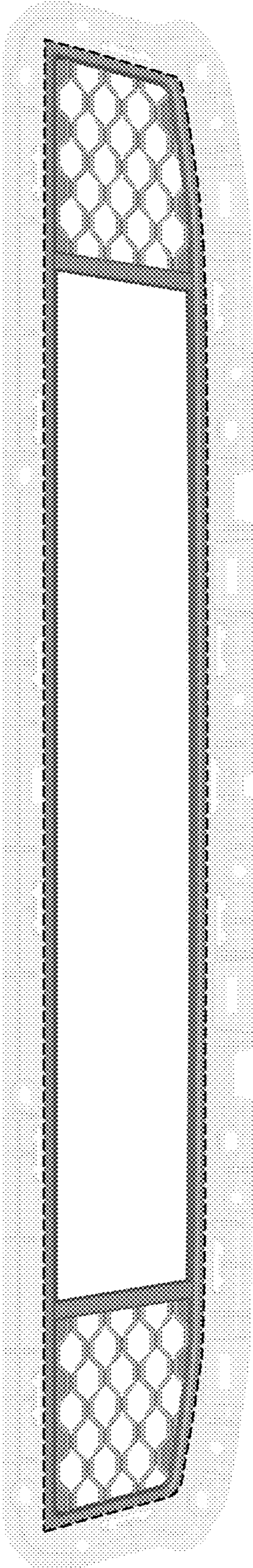


Fig. 1



Fig. 2



Fig. 3

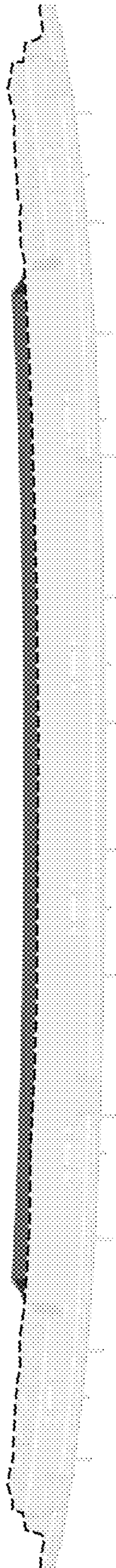


Fig. 4

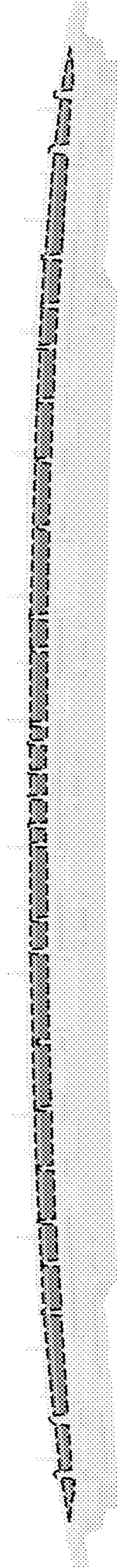


Fig. 5

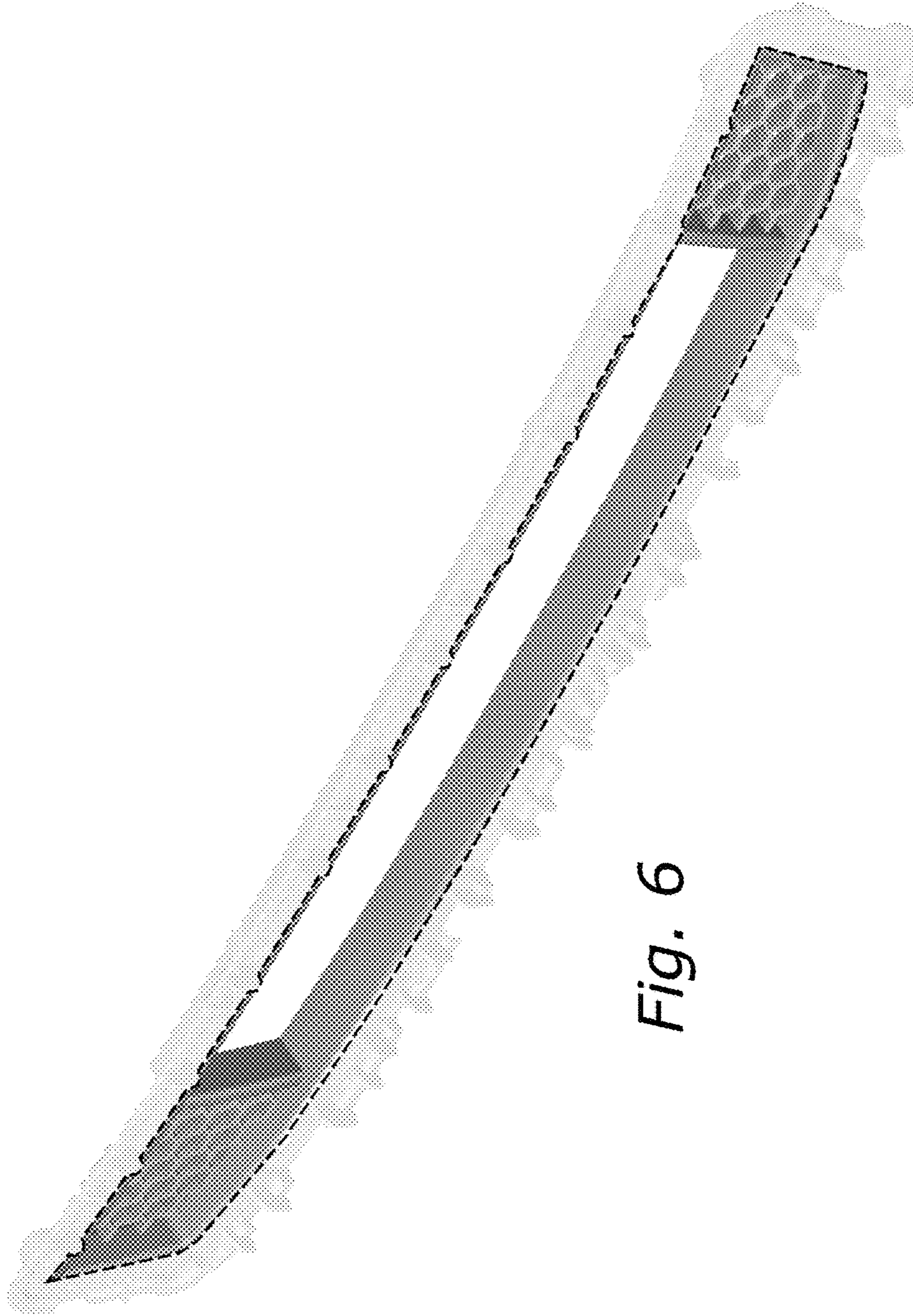


Fig. 6

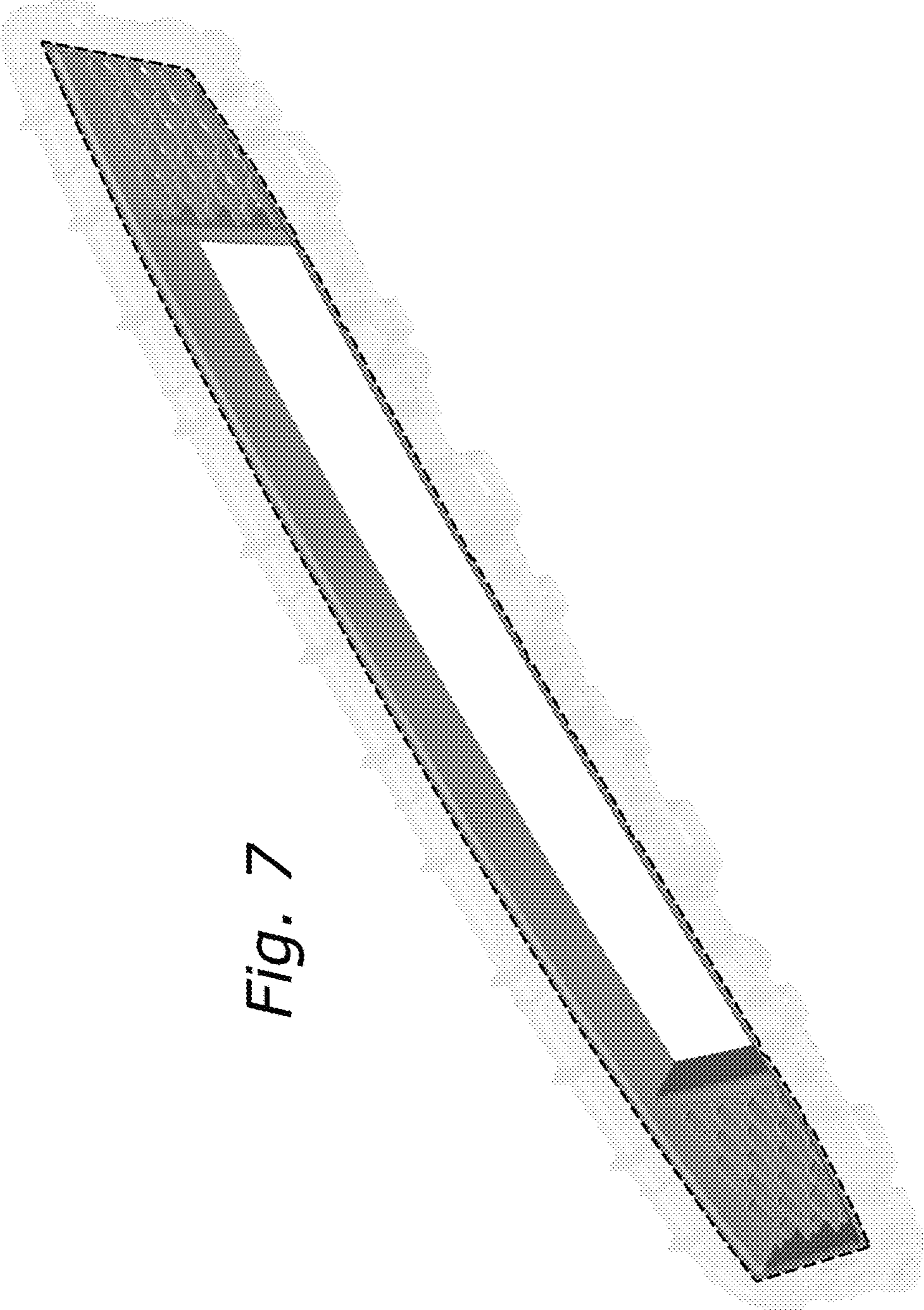


Fig. 7