



US00D862309S

(12) **United States Design Patent** (10) **Patent No.:** **US D862,309 S**
Hack (45) **Date of Patent:** **** Oct. 8, 2019**

(54) **HITCH COVER**

(71) Applicant: **GR Innovations LLC**, Waterford, MI (US)

(72) Inventor: **Gregory D. Hack**, Waterford, MI (US)

(73) Assignee: **GR Innovations LLC**, Hadley, MI (US)

(**) Term: **15 Years**

(21) Appl. No.: **29/647,975**

(22) Filed: **May 17, 2018**

(51) **LOC (12) Cl.** **12-16**

(52) **U.S. Cl.**
USPC **D12/162**

(58) **Field of Classification Search**
USPC D12/160-162, 100-106, 19, 129, 112;
D21/425, 435; D34/21-26, 16-19
CPC B60D 1/60; B60D 1/605; B60D 1/065;
B60D 1/00; B60D 1/06; B60Q 5/10
See application file for complete search history.

(56) **References Cited**

U.S. PATENT DOCUMENTS

D480,338 S * 10/2003 Harwood D12/162
D519,424 S * 4/2006 Fisher D12/162

D529,418 S * 10/2006 Muhlnickel D12/162
D628,128 S * 11/2010 Sanders D12/162
D676,363 S * 2/2013 Wise D12/162
D732,441 S * 6/2015 Sarajian D12/162
D824,810 S * 8/2018 Koo D12/162

* cited by examiner

Primary Examiner — Abraham Bahta

(74) *Attorney, Agent, or Firm* — Fishman Stewart PLLC

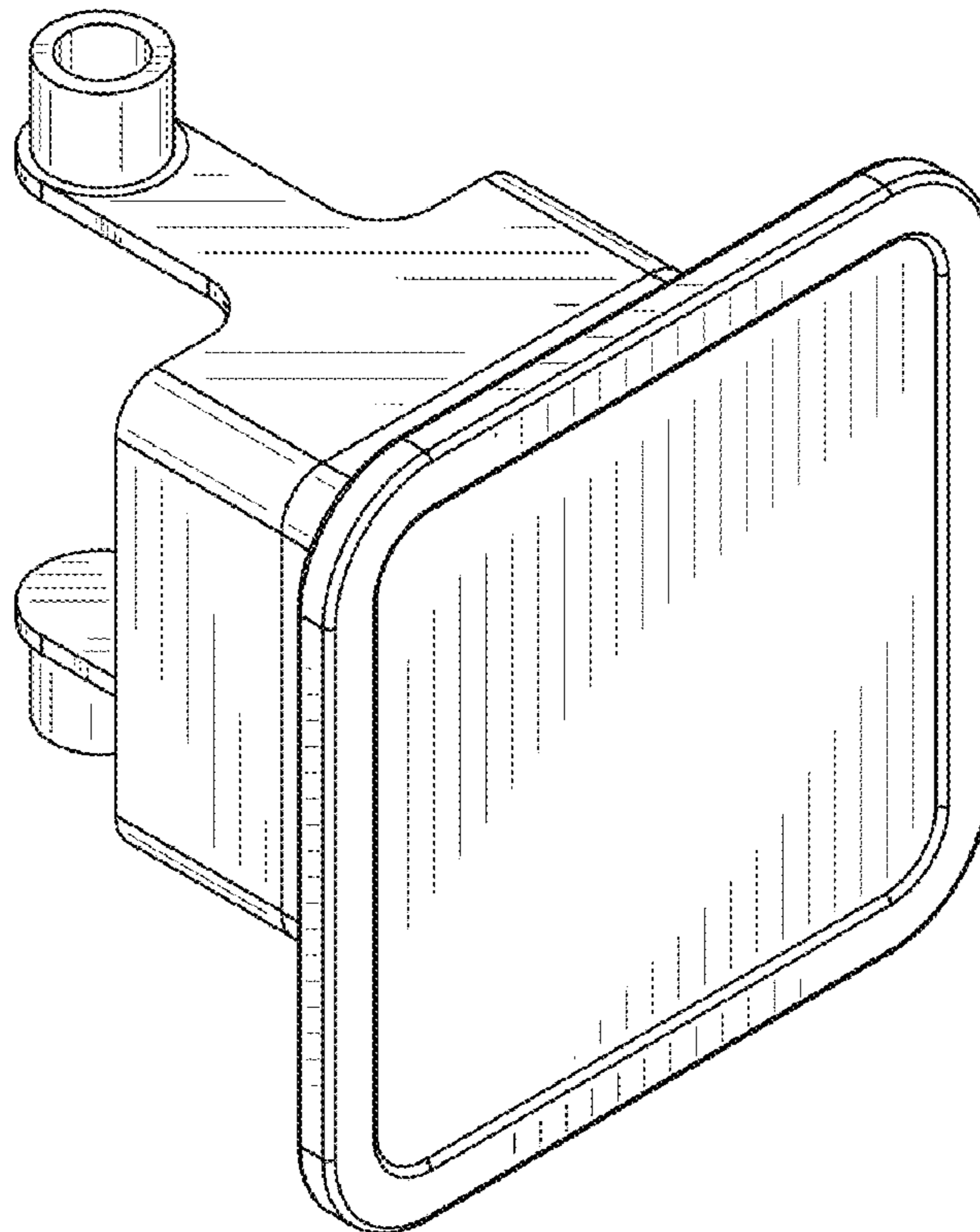
(57) **CLAIM**

The ornamental design for a hitch cover, as shown and described.

DESCRIPTION

FIG. 1 is a front, top, left side perspective view of a hitch cover showing an embodiment of the claimed design; FIG. 2 is a rear, top, right side perspective view of the design; FIG. 3 is a front elevational view of FIG. 1; FIG. 4 is a rear elevational view of FIG. 1; FIG. 5 is a top plan view of FIG. 1; FIG. 6 is a bottom plan view of FIG. 1; FIG. 7 is a left side view of FIG. 1; and, FIG. 8 is a right side view of FIG. 1.

1 Claim, 4 Drawing Sheets



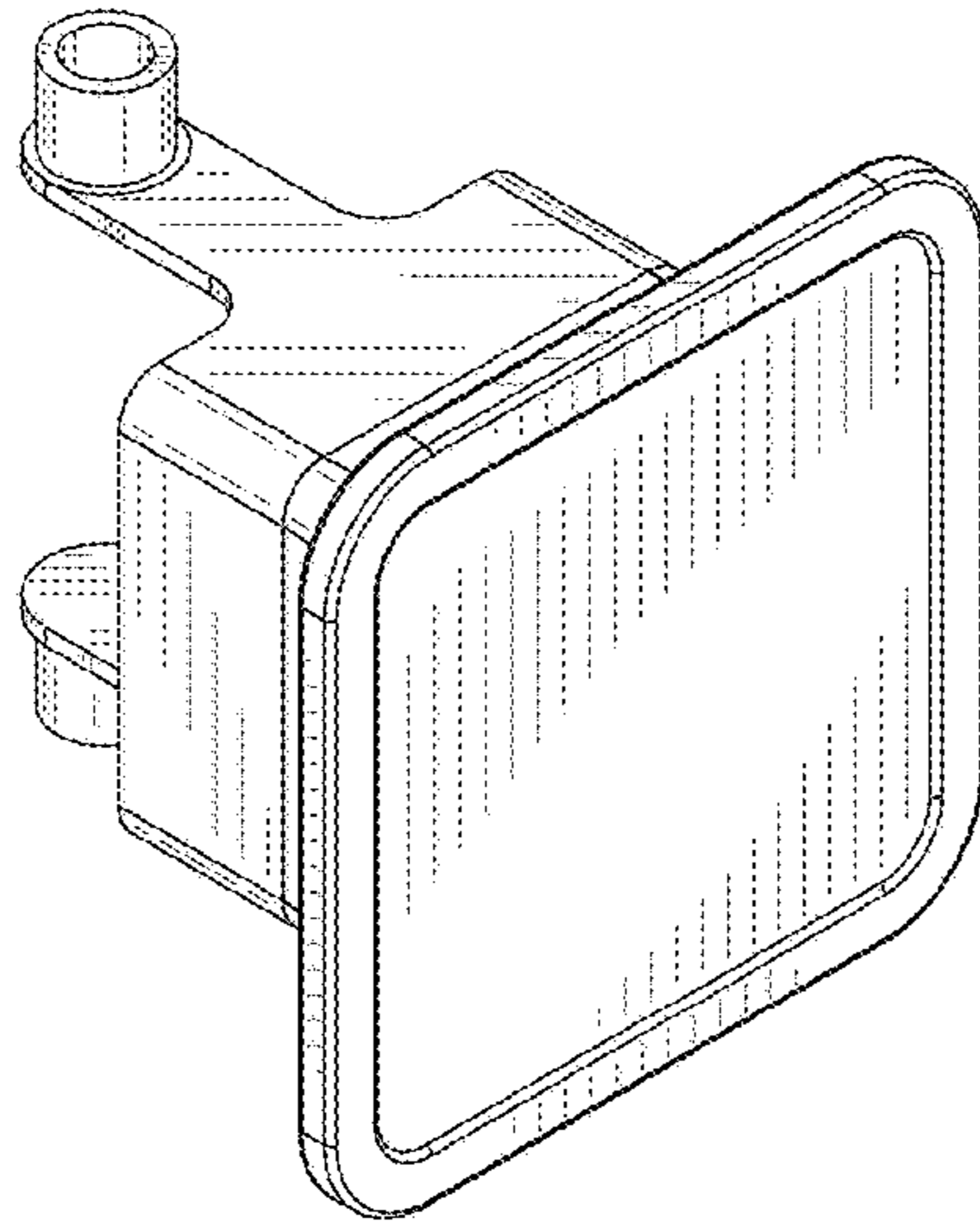


FIG. 1

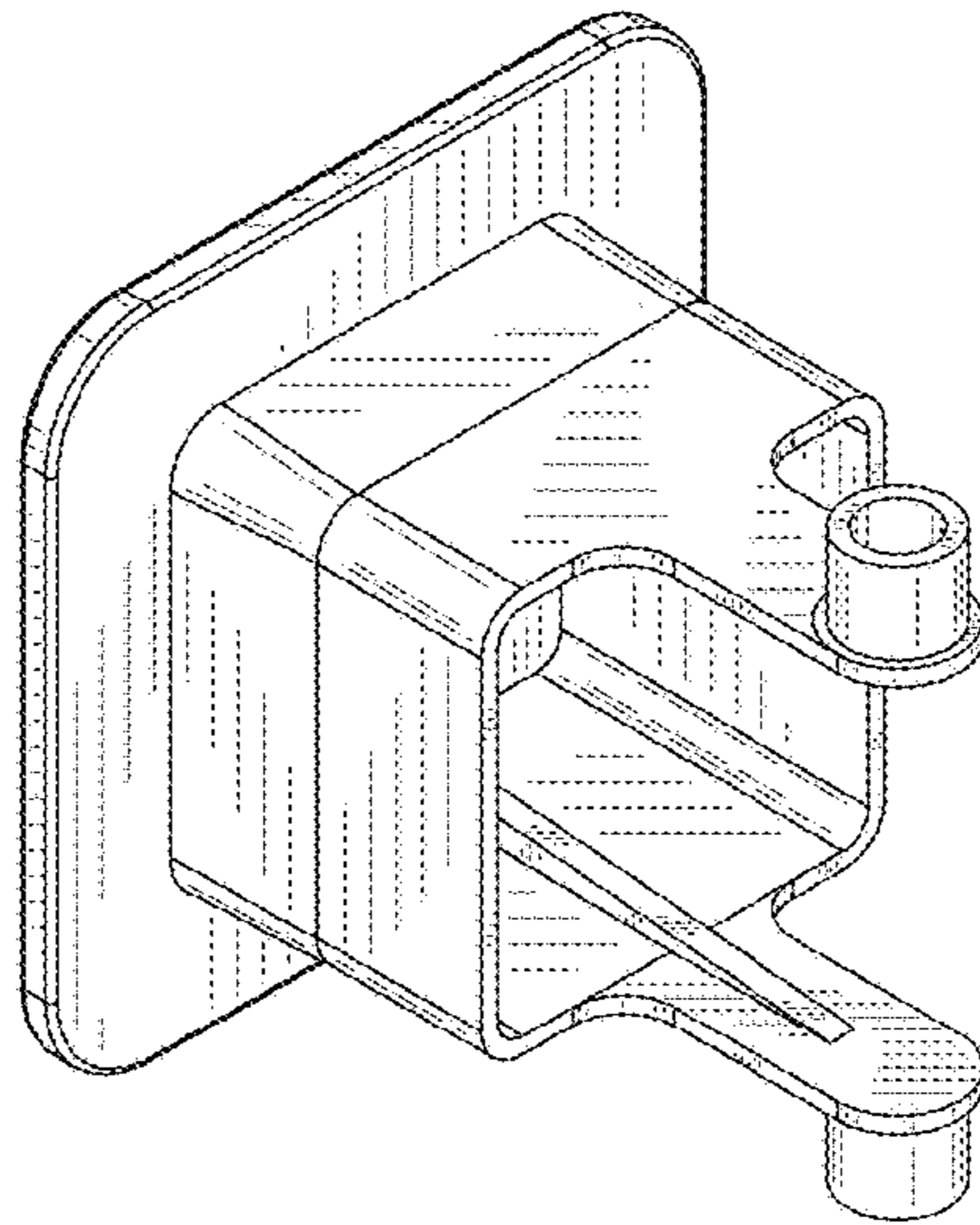


FIG. 2

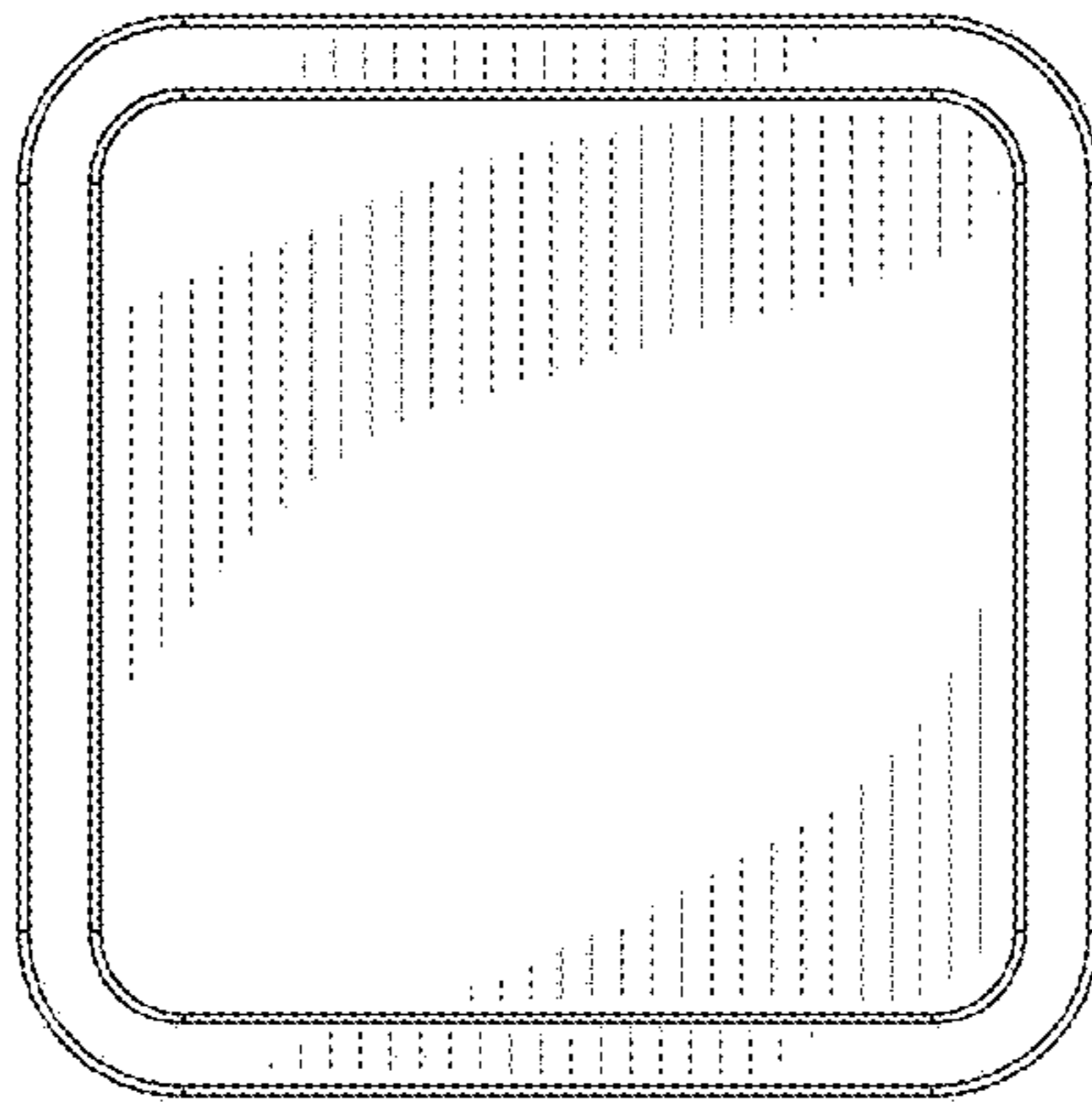


FIG. 3

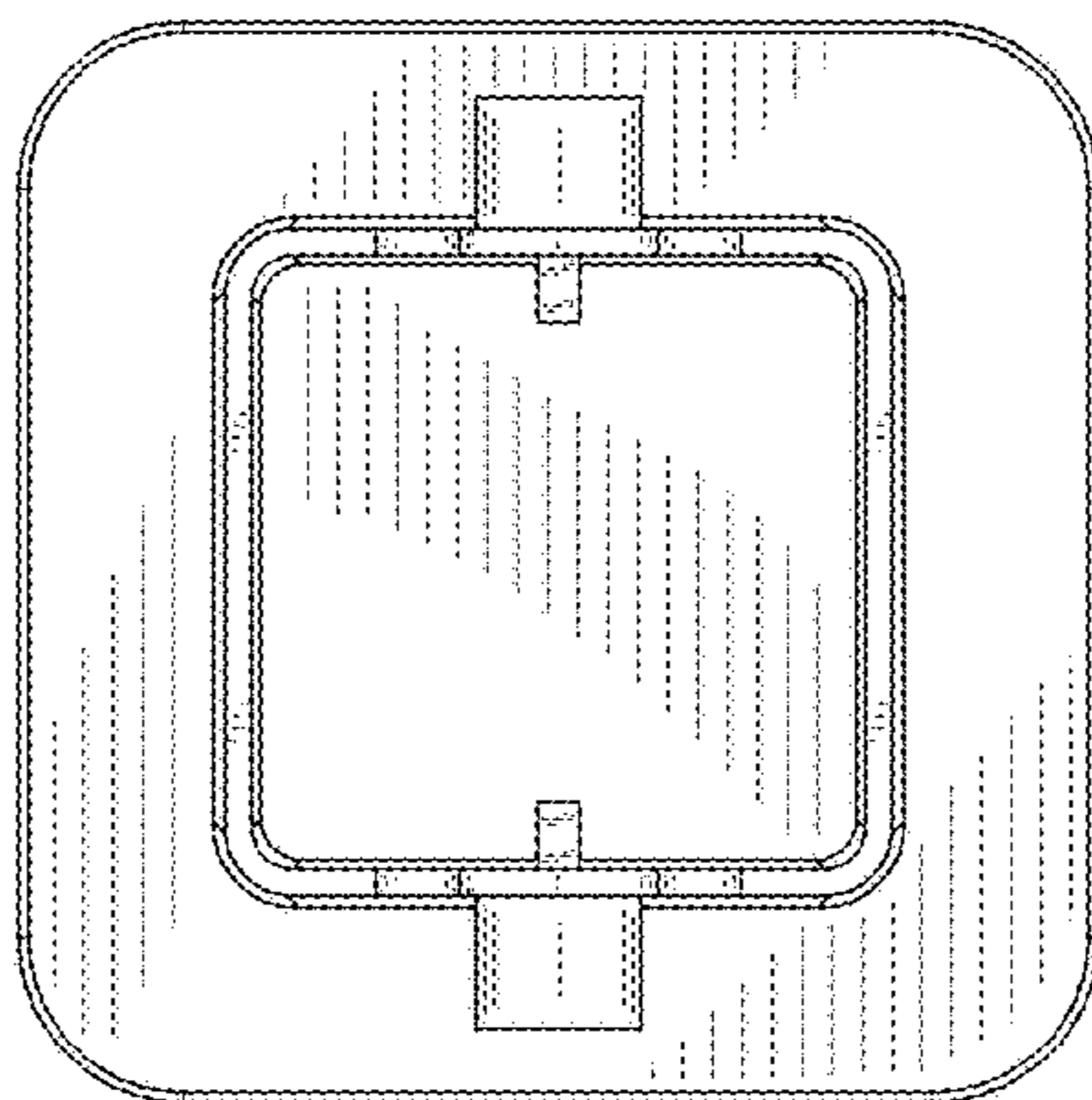


FIG. 4

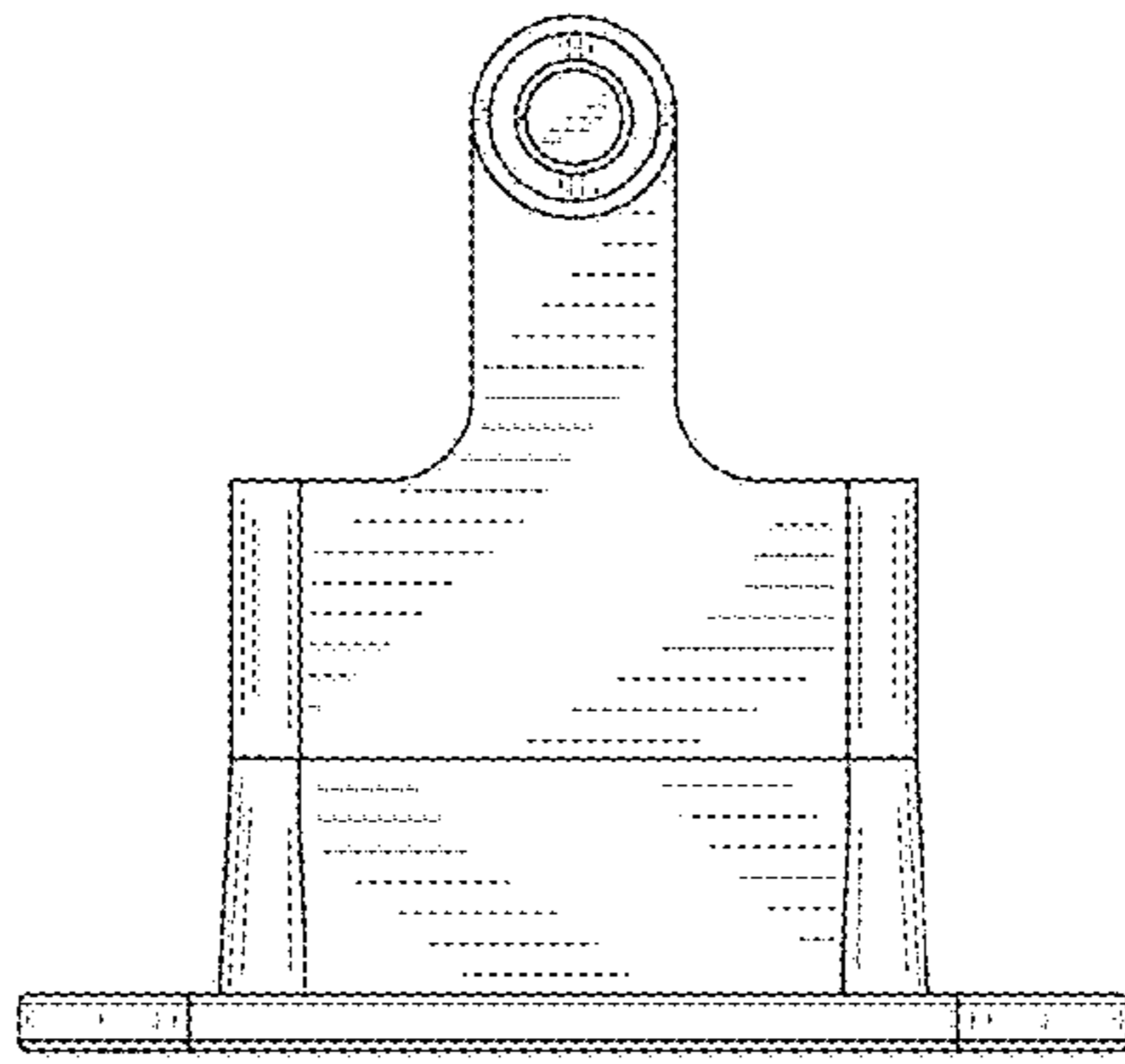


FIG. 5

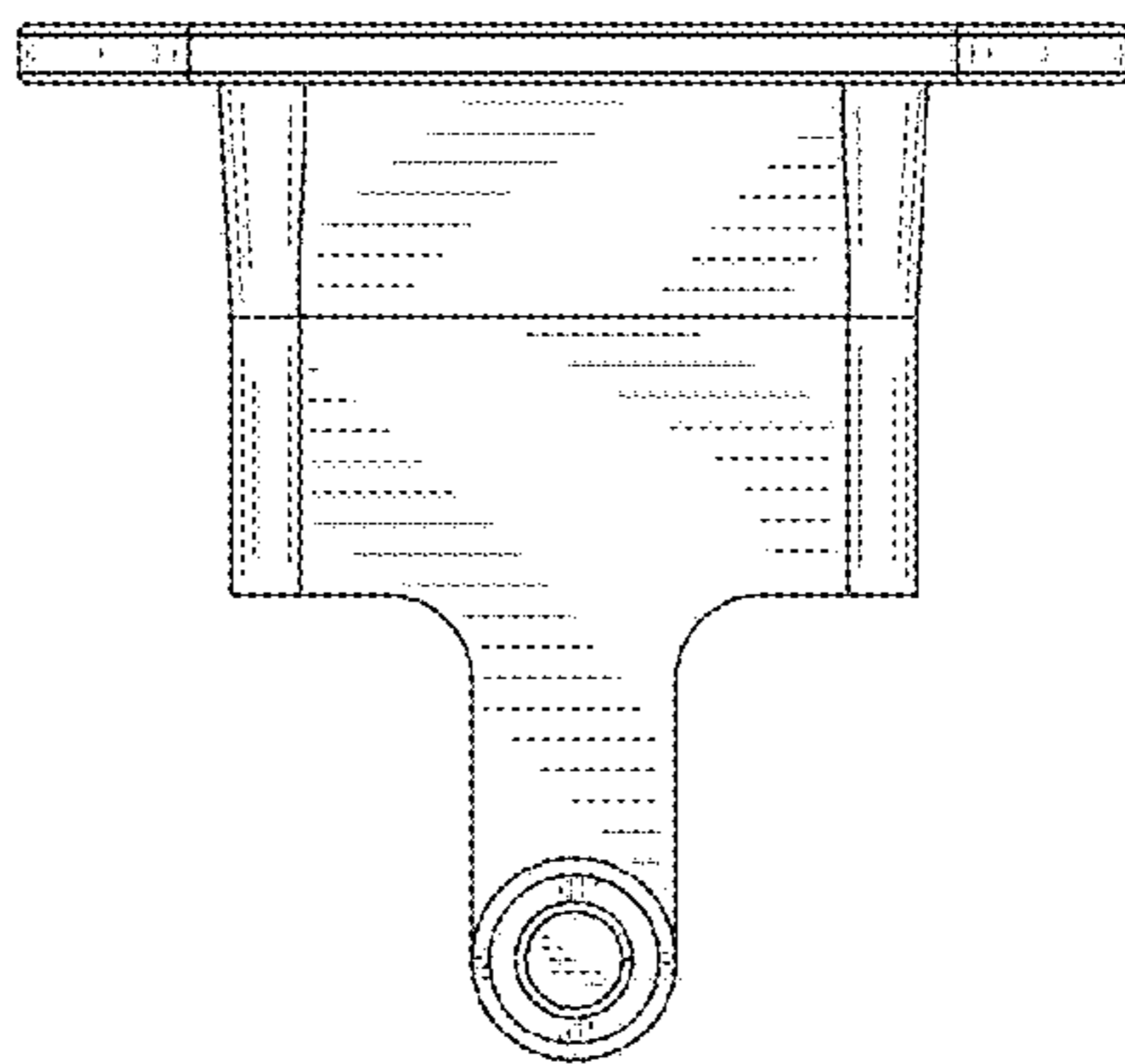


FIG. 6

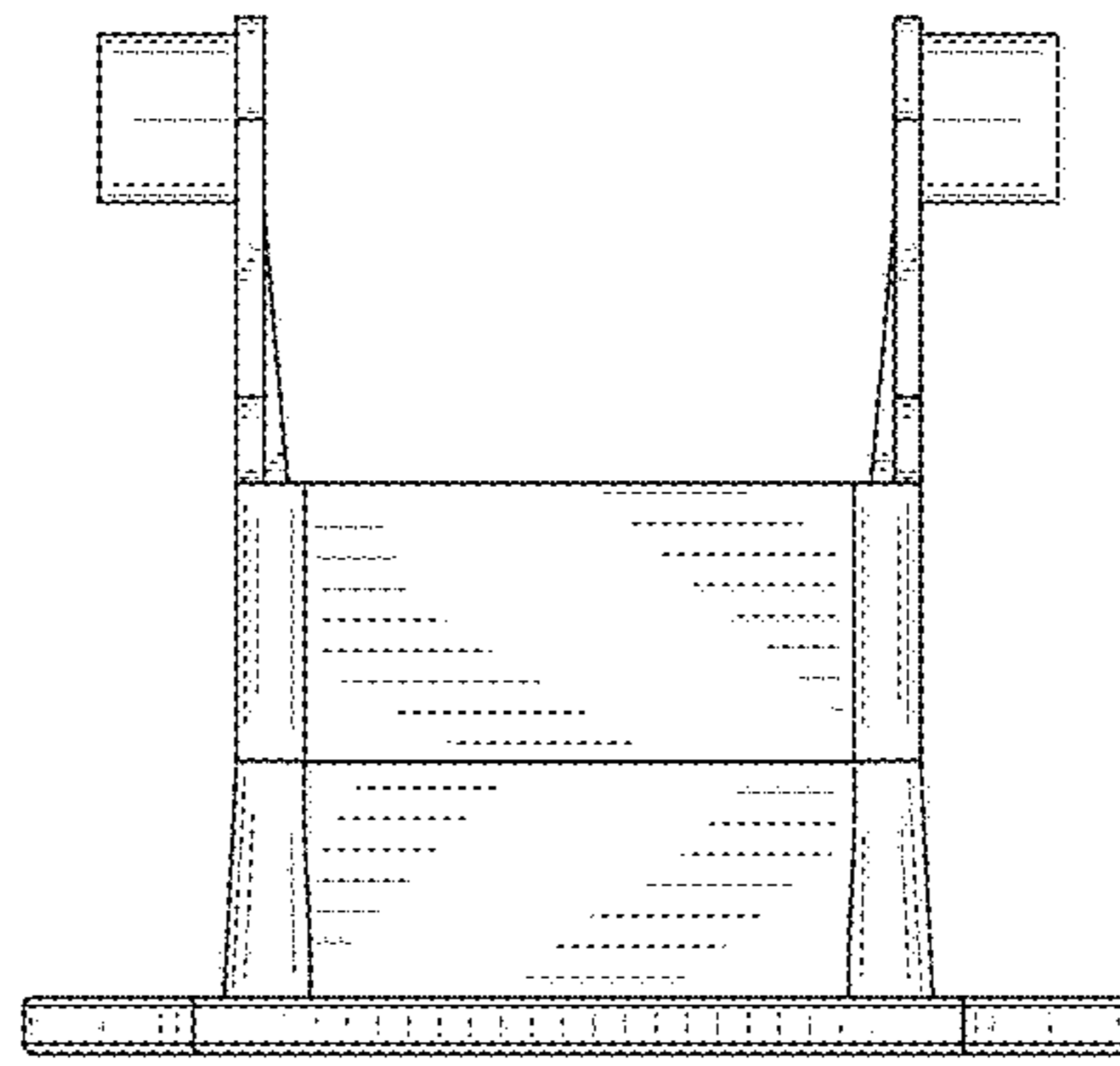


FIG. 7

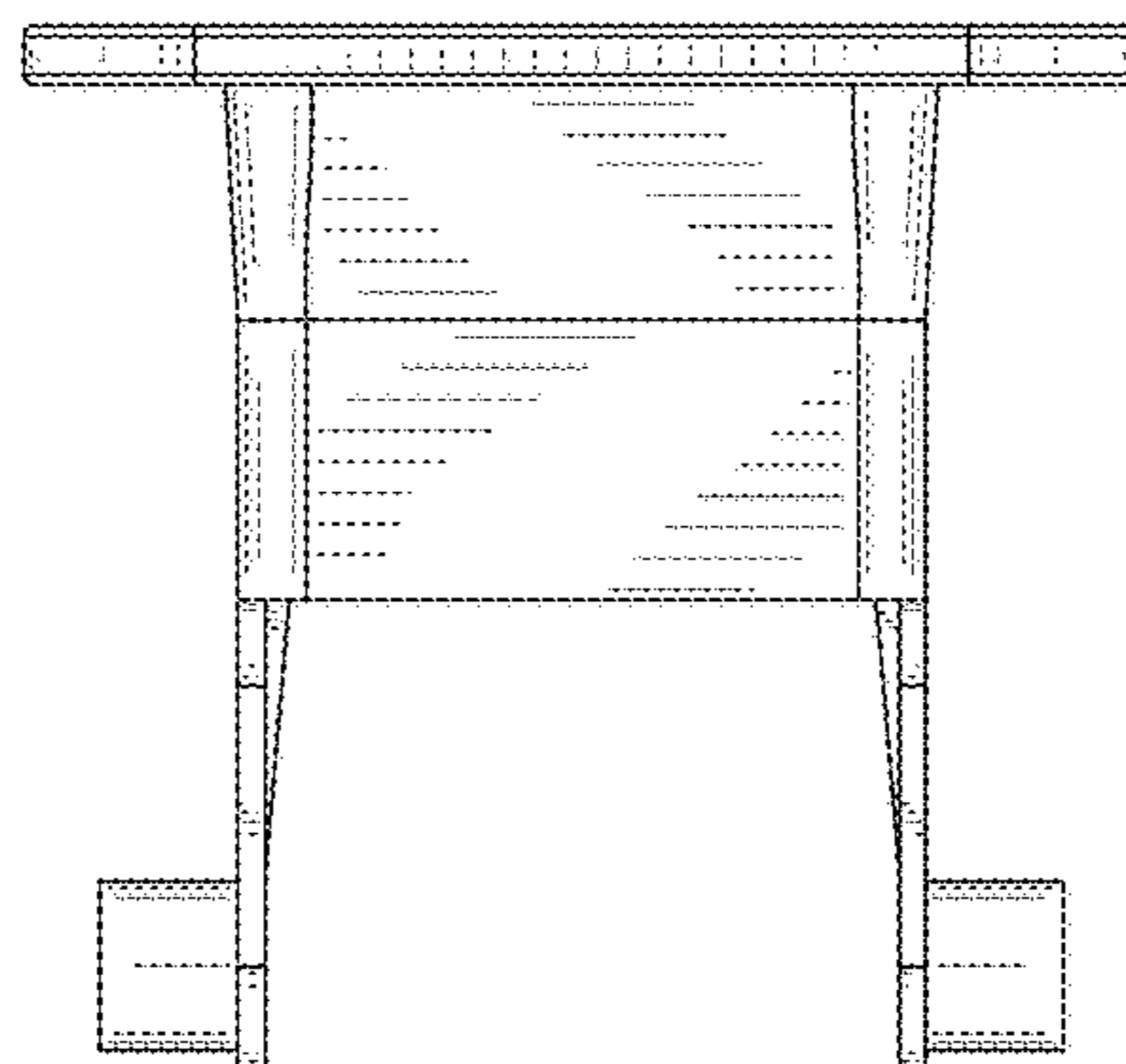


FIG. 8