



US00D862306S

(12) **United States Design Patent** (10) **Patent No.:** **US D862,306 S**
Porath (45) **Date of Patent:** **** Oct. 8, 2019**

(54) **TOWING HITCH RECEIVER SEALING PLUG**

(71) Applicant: **Steven Hugh Porath**, Painesville, OH (US)

(72) Inventor: **Steven Hugh Porath**, Painesville, OH (US)

(**) Term: **15 Years**

(21) Appl. No.: **29/579,955**

(22) Filed: **Oct. 4, 2016**

Related U.S. Application Data

(63) Continuation-in-part of application No. 14/489,519, filed on Sep. 18, 2014, now abandoned.

(51) **LOC (12) Cl.** **12-16**

(52) **U.S. Cl.**
USPC **D12/162**

(58) **Field of Classification Search**
USPC D12/400, 161, 162, 199, 193; D13/156, D13/199, 184, 178, 173, 160, 158
CPC A61J 1/062; F16B 37/122
See application file for complete search history.

(56) **References Cited**

U.S. PATENT DOCUMENTS

D351,013 S *	9/1994	Mathison	D23/200
D419,505 S *	1/2000	Deerman	D12/162
D424,991 S *	5/2000	Young	D12/162
D425,833 S *	5/2000	Robinson	D12/162
D426,798 S	6/2000	Peroni		
D450,638 S *	11/2001	Calderon	D12/162

D475,953 S *	6/2003	Salwasser	D12/161
7,125,035 B1	10/2006	Huenefeld		
7,455,313 B2	11/2008	Yokosh et al.		
D623,099 S	9/2010	Wise		
D662,012 S *	6/2012	Gugino	D12/162
8,220,820 B2	7/2012	Bow		
8,475,167 B2	7/2013	Dunn		
D688,986 S *	9/2013	Duffy	D12/162
D732,441 S *	6/2015	Sarajian	D12/162
D749,994 S *	2/2016	Verboeket	D12/162
D765,606 S *	9/2016	Hack	D13/156
2015/0314506 A1 *	11/2015	Stumpf	F16B 37/122 264/275
2017/0081056 A1 *	3/2017	Zambaux	A61J 1/062

* cited by examiner

Primary Examiner — Susan E Krakower
Assistant Examiner — Jerry Shiuan-Hua Hsu

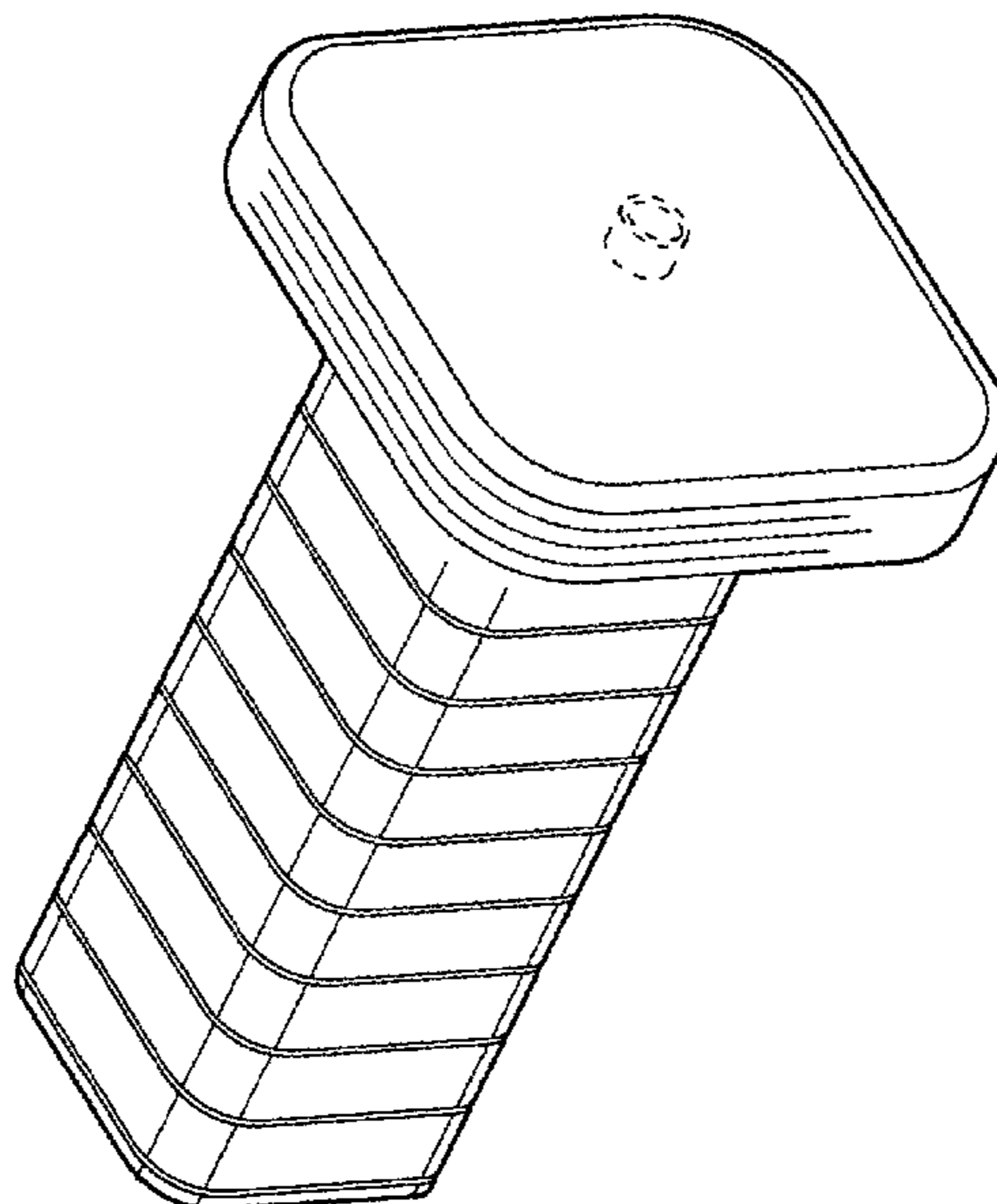
(57) **CLAIM**

The ornamental design for a towing hitch receiver sealing plug, as shown and described.

DESCRIPTION

FIG. 1 is a perspective view of a towing hitch receiver sealing plug showing my new design;
FIG. 2 is a front elevational view thereof;
FIG. 3 is a right side elevational view thereof;
FIG. 4 is a top plan view thereof;
FIG. 5 is a left side elevational view thereof;
FIG. 6 is a bottom plan view thereof; and,
FIG. 7 is a rear elevational view thereof.
The broken lines illustrate portion of the towing hitch receiver sealing plug that form no part of the claimed design.

1 Claim, 7 Drawing Sheets



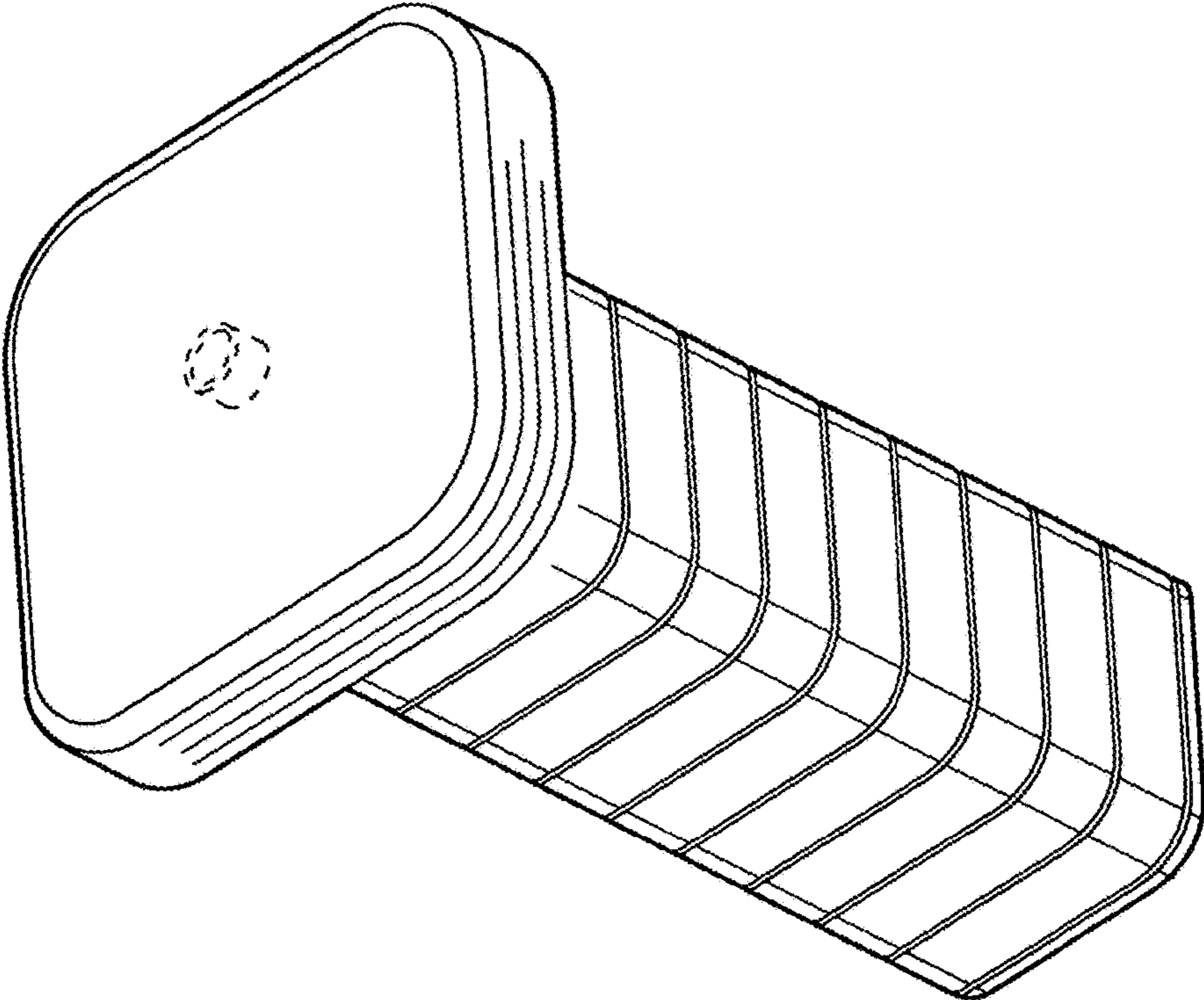


Fig. 1

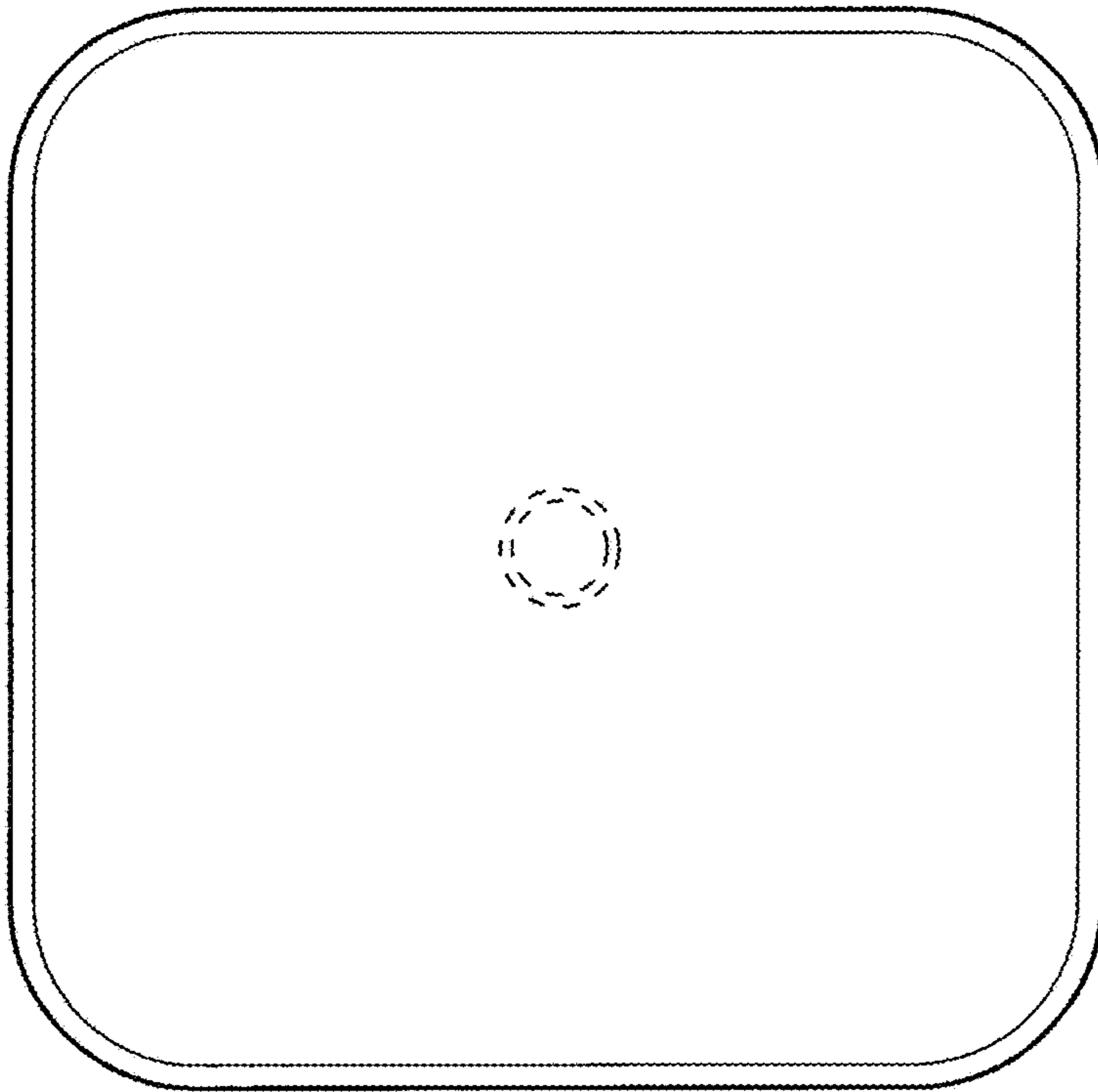


Fig. 2

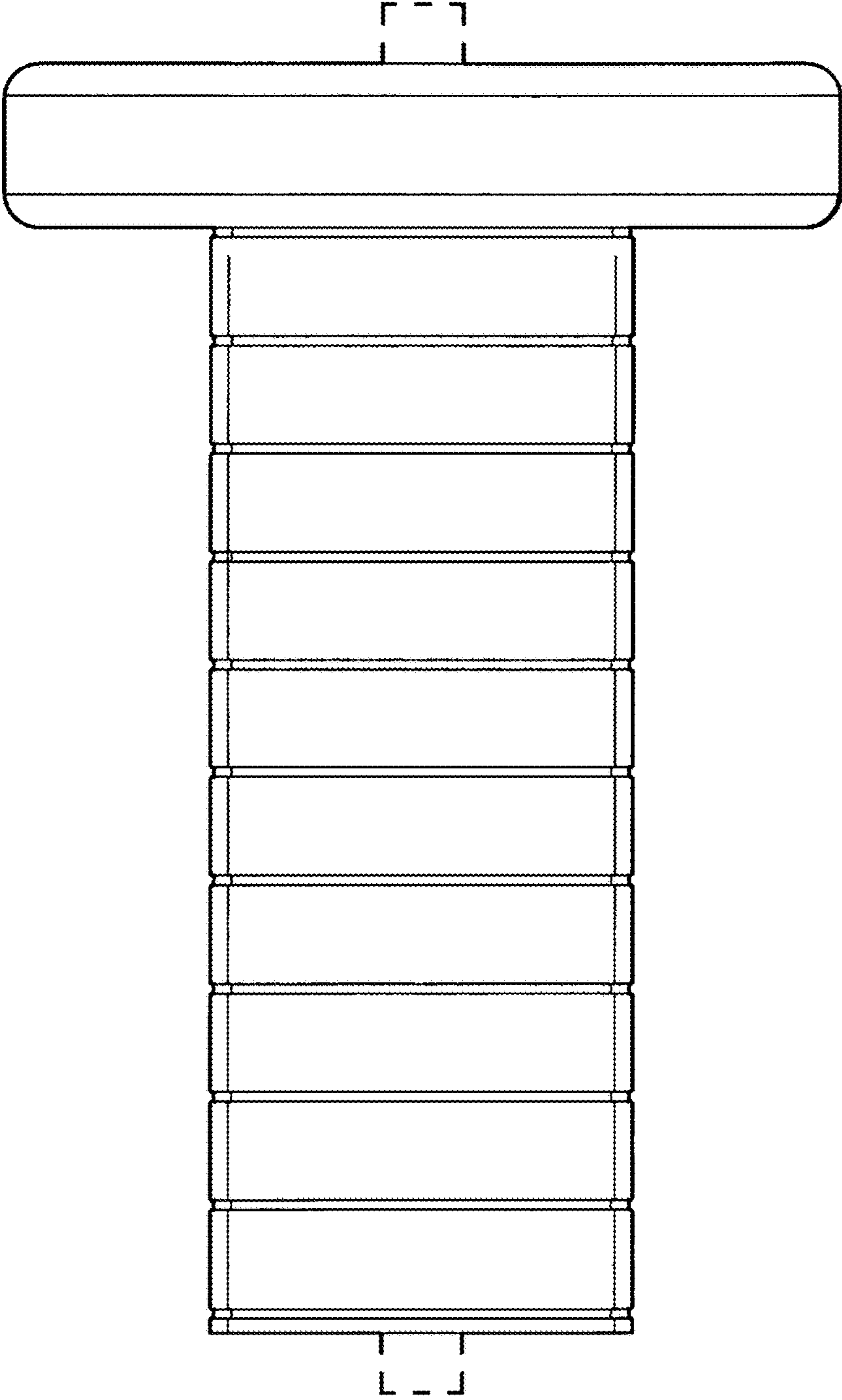


Fig. 3

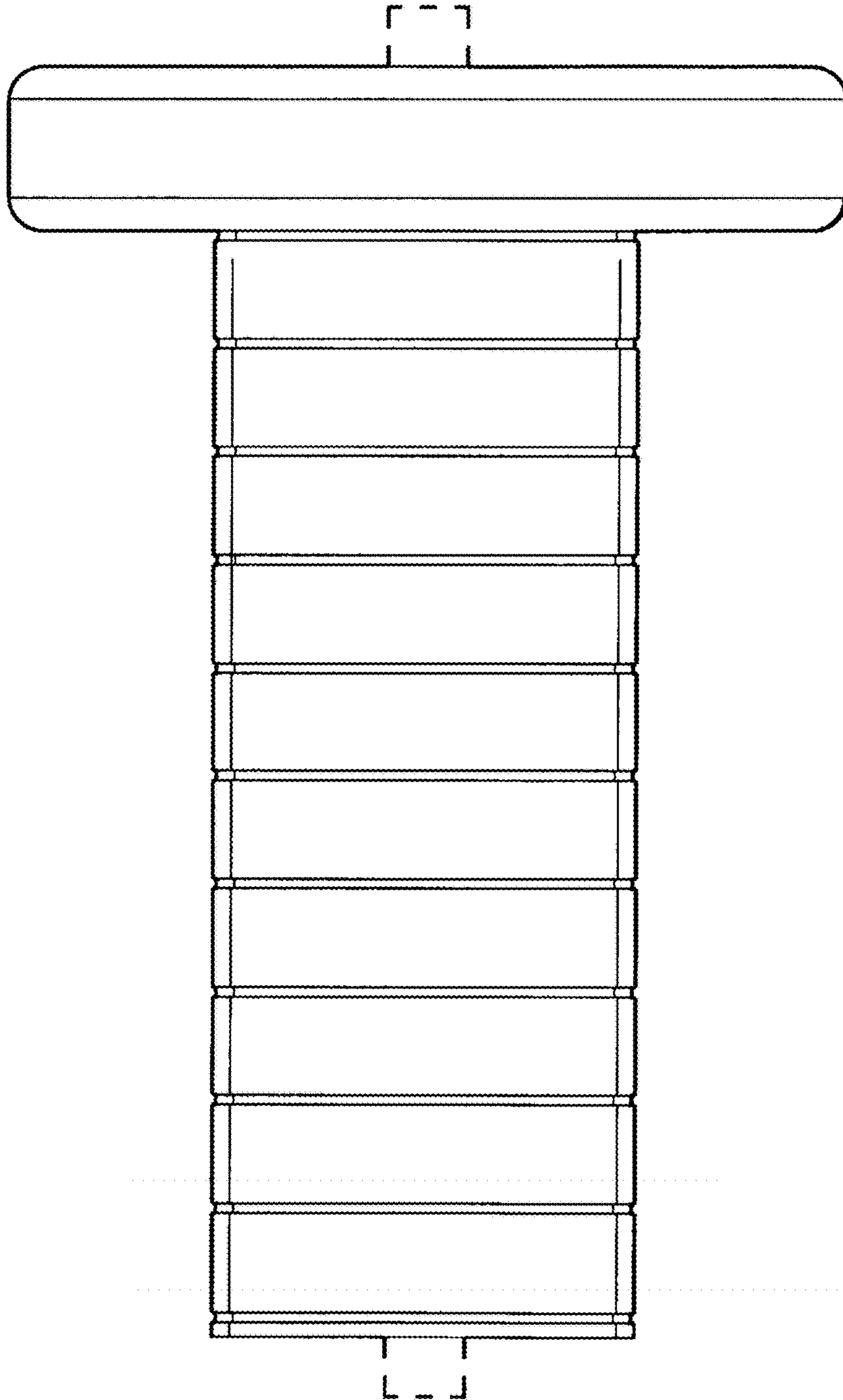


Fig. 4

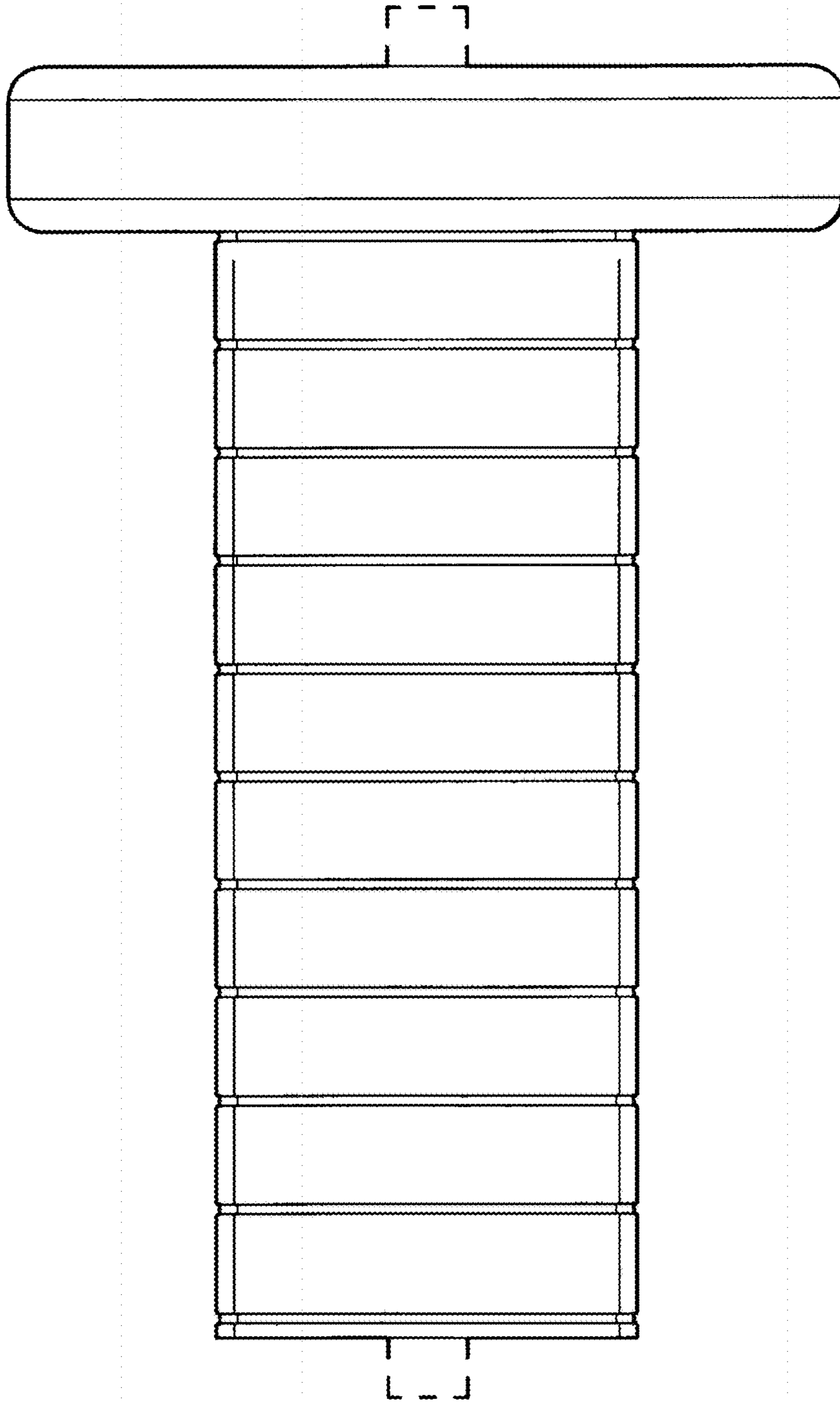


Fig. 5

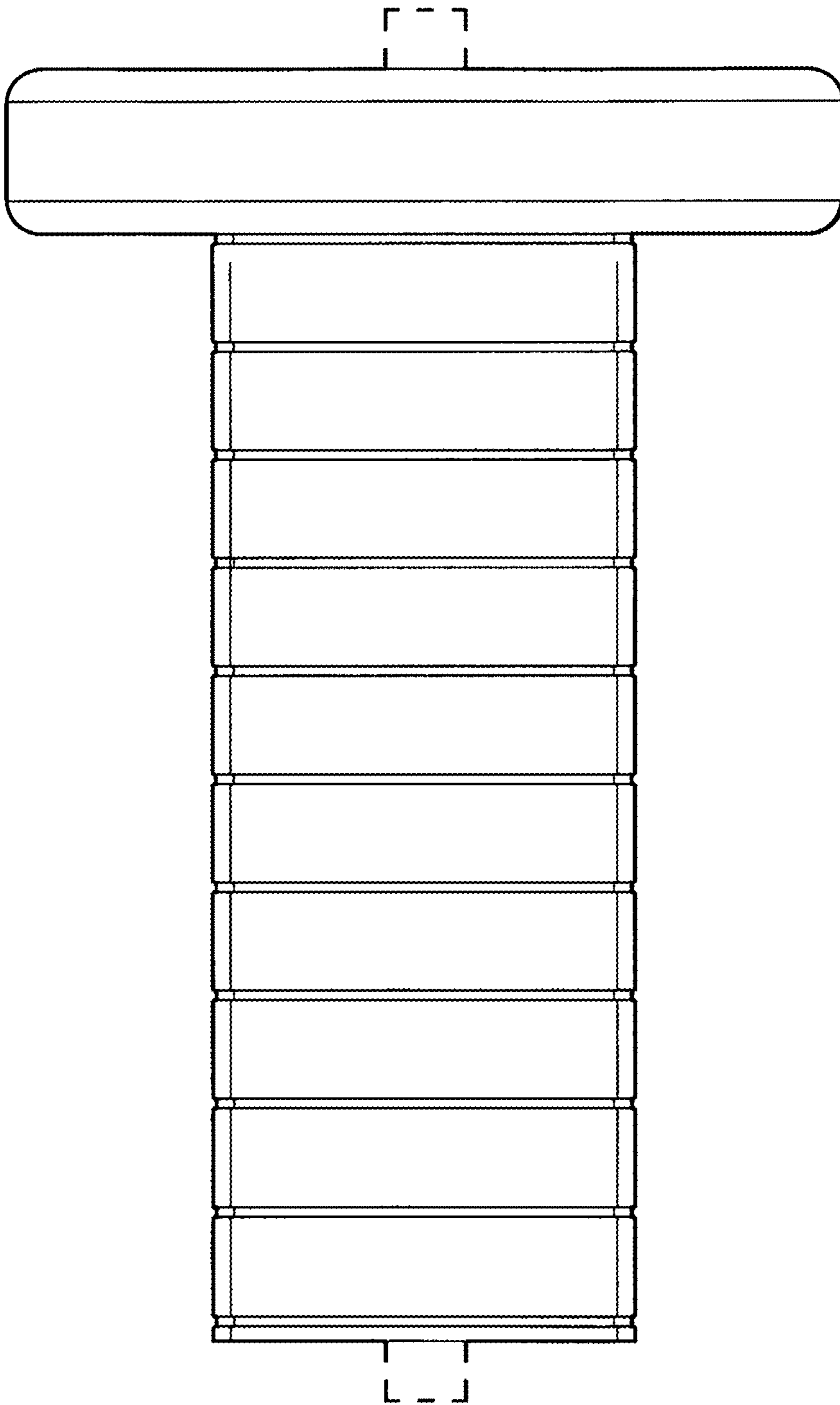


Fig. 6

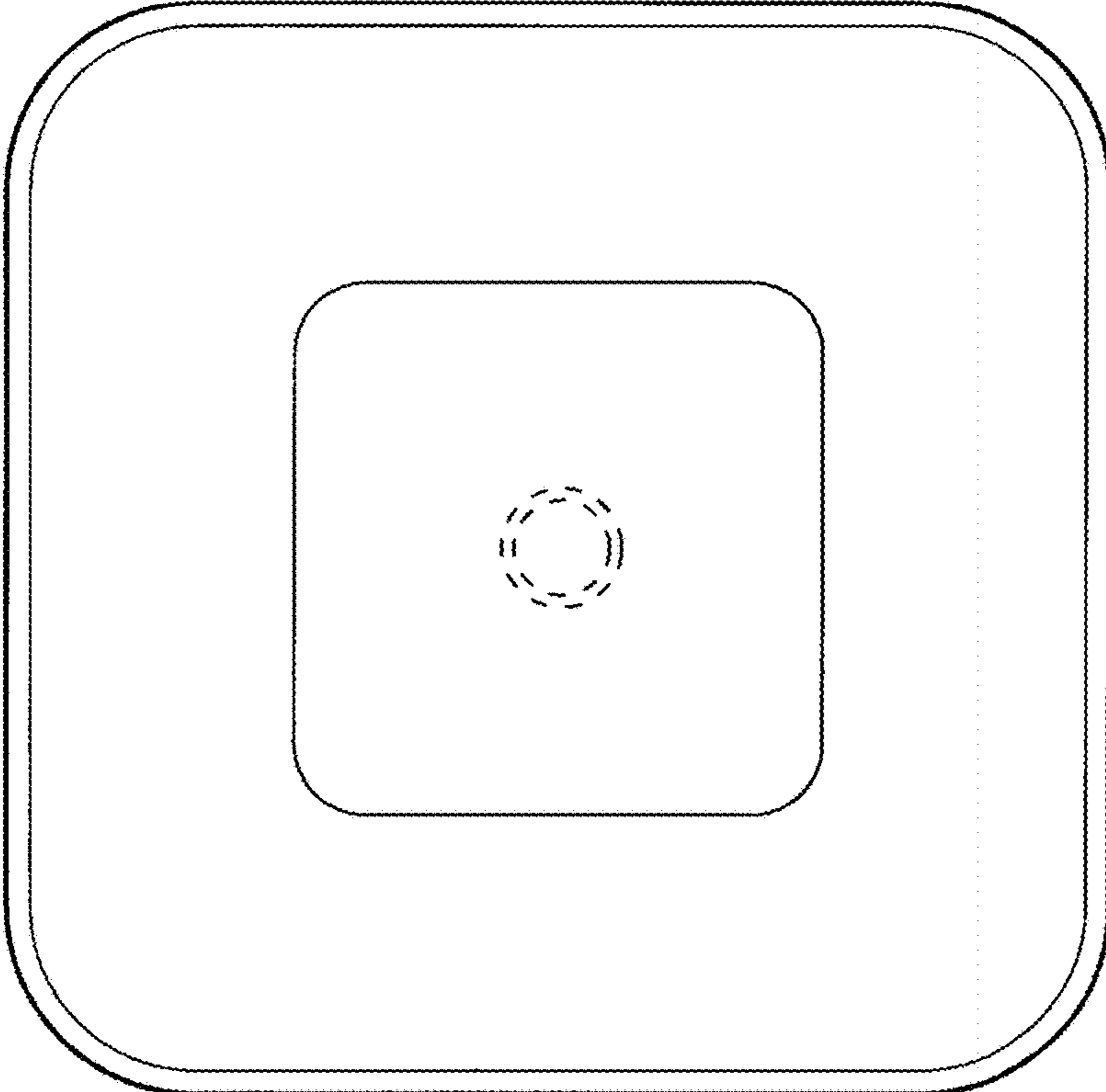


Fig. 7