



US00D862305S

(12) **United States Design Patent**
Dolan

(10) **Patent No.:** **US D862,305 S**

(45) **Date of Patent:** **** Oct. 8, 2019**

- (54) **CENTER LINK ASSEMBLY**
- (71) Applicant: **Stemco Products, Inc.**, Charlotte, NC (US)
- (72) Inventor: **Paul Dolan**, Clio, MI (US)
- (73) Assignee: **STEMCO PRODUCTS, INC.**, Charlotte, NC (US)
- (**) Term: **15 Years**
- (21) Appl. No.: **29/592,348**
- (22) Filed: **Jan. 30, 2017**
- (51) **LOC (12) Cl.** **12-16**
- (52) **U.S. Cl.**
USPC **D12/159**
- (58) **Field of Classification Search**
USPC D12/159-162, 223
CPC ... F16C 11/06; F16C 11/0619; F16C 11/0642;
F16C 11/0695; B62D 7/16; B62D 7/20
See application file for complete search history.

(56) **References Cited**

U.S. PATENT DOCUMENTS

- 2,582,455 A * 1/1952 Potter B62D 7/20
280/103
- 2,723,141 A * 11/1955 Ricks B62D 7/16
403/290
- 3,496,800 A * 2/1970 Brezinski B62D 7/16
138/96 R
- 4,714,262 A * 12/1987 Wood B60G 7/003
280/86.758
- 4,827,788 A * 5/1989 Beer B62D 3/12
280/93.515
- 5,035,162 A * 7/1991 Dougherty B25B 13/06
81/124.4
- 5,059,053 A * 10/1991 Rose B62D 7/20
403/24
- 5,104,136 A * 4/1992 Buhl B60G 7/001
188/371

- 5,529,316 A * 6/1996 Mattila B62D 7/16
280/93.51
 - D402,617 S * 12/1998 Adams, III D12/160
 - D444,745 S * 7/2001 Garrard D12/159
- (Continued)

OTHER PUBLICATIONS

OCAP Tie Rod Assembly, posted at S&S Aircooled, posting date not available. [site visited Jun. 29, 2018] [Available from internet] URL: <<https://www.ssaircooled.com/211415801D>>.*

(Continued)

Primary Examiner — Kevin K Rudzinski
Assistant Examiner — Kathleen L Jones
(74) *Attorney, Agent, or Firm* — Perkins Coie LLP

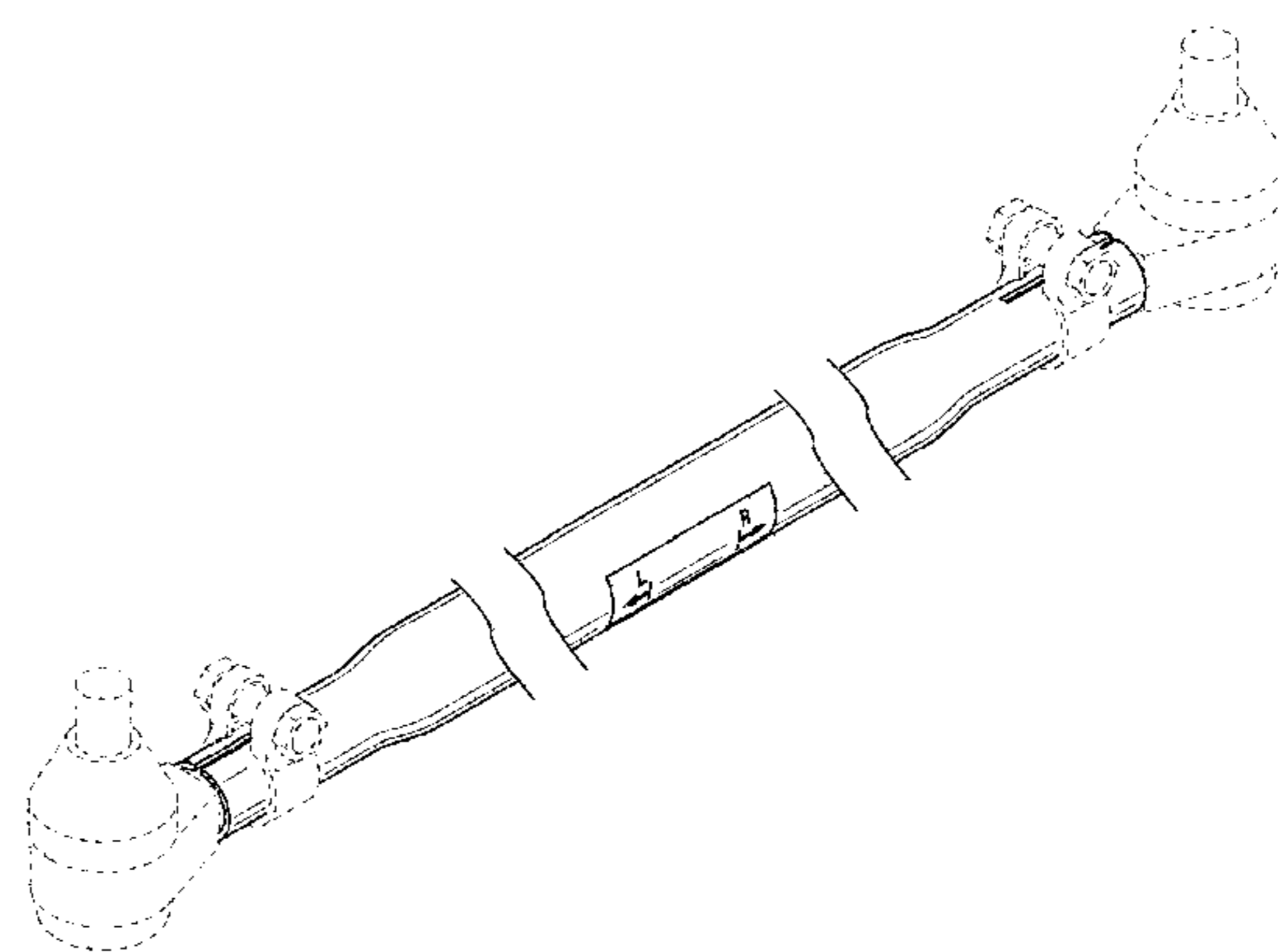
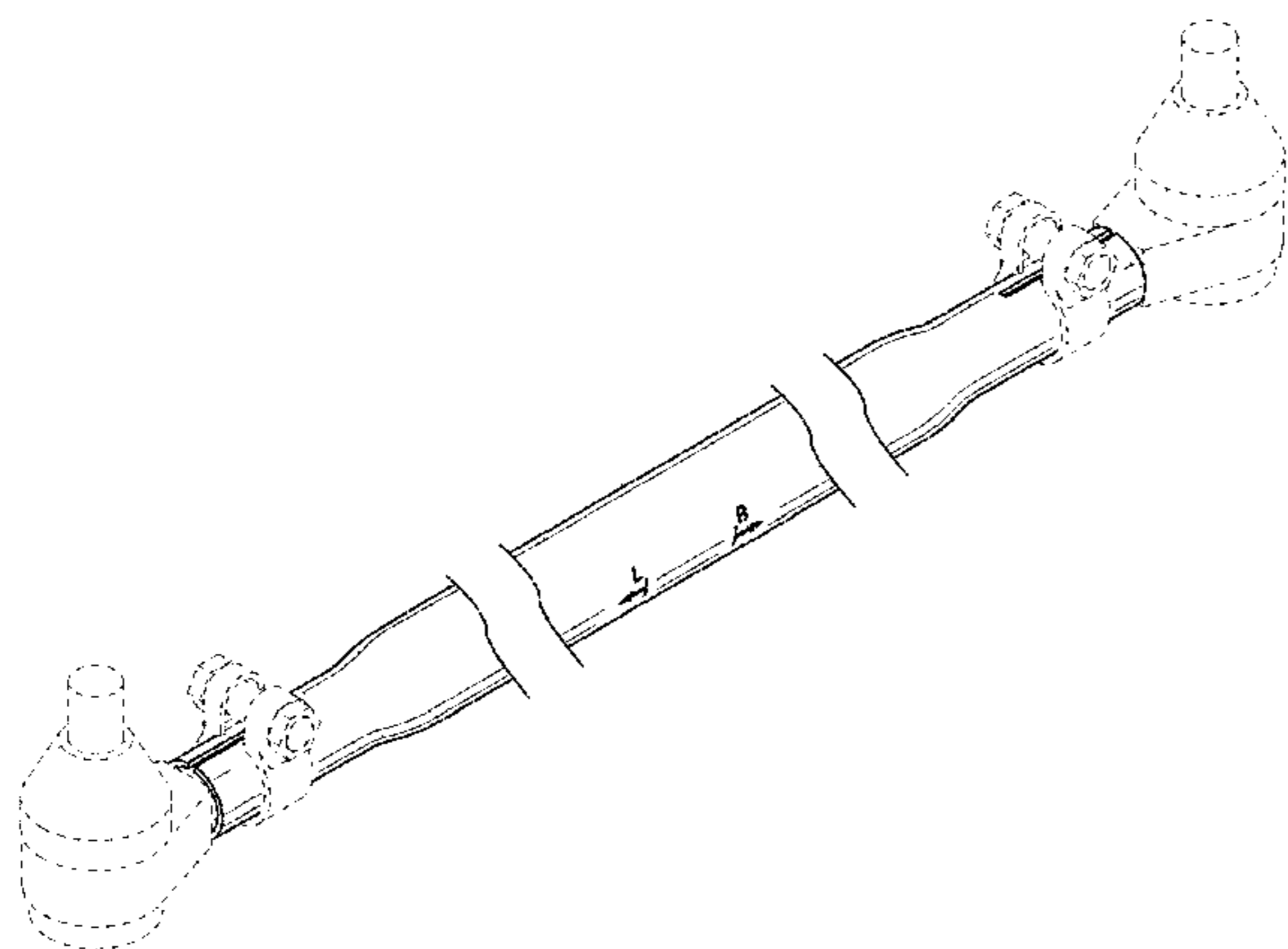
(57) **CLAIM**

The ornamental design for a center link assembly, as shown and described.

DESCRIPTION

FIG. 1 is a perspective view of a first embodiment of a center link assembly.
 FIG. 2 is a front plan view thereof.
 FIG. 3 is a back plan view thereof.
 FIG. 4 is a right view thereof.
 FIG. 5 is a left view thereof.
 FIG. 6 is a top view thereof.
 FIG. 7 is a bottom view thereof.
 FIG. 8 is a perspective view of a second embodiment of a center link assembly.
 FIG. 9 is a front plan view thereof.
 FIG. 10 is a back plan view thereof.
 FIG. 11 is a right view thereof.
 FIG. 12 is a left view thereof.
 FIG. 13 is a top view thereof; and,
 FIG. 14 is a bottom view thereof.
 The broken lines showing portions of the center link assembly form no part of the claimed design.

1 Claim, 8 Drawing Sheets



(56)

References Cited

U.S. PATENT DOCUMENTS

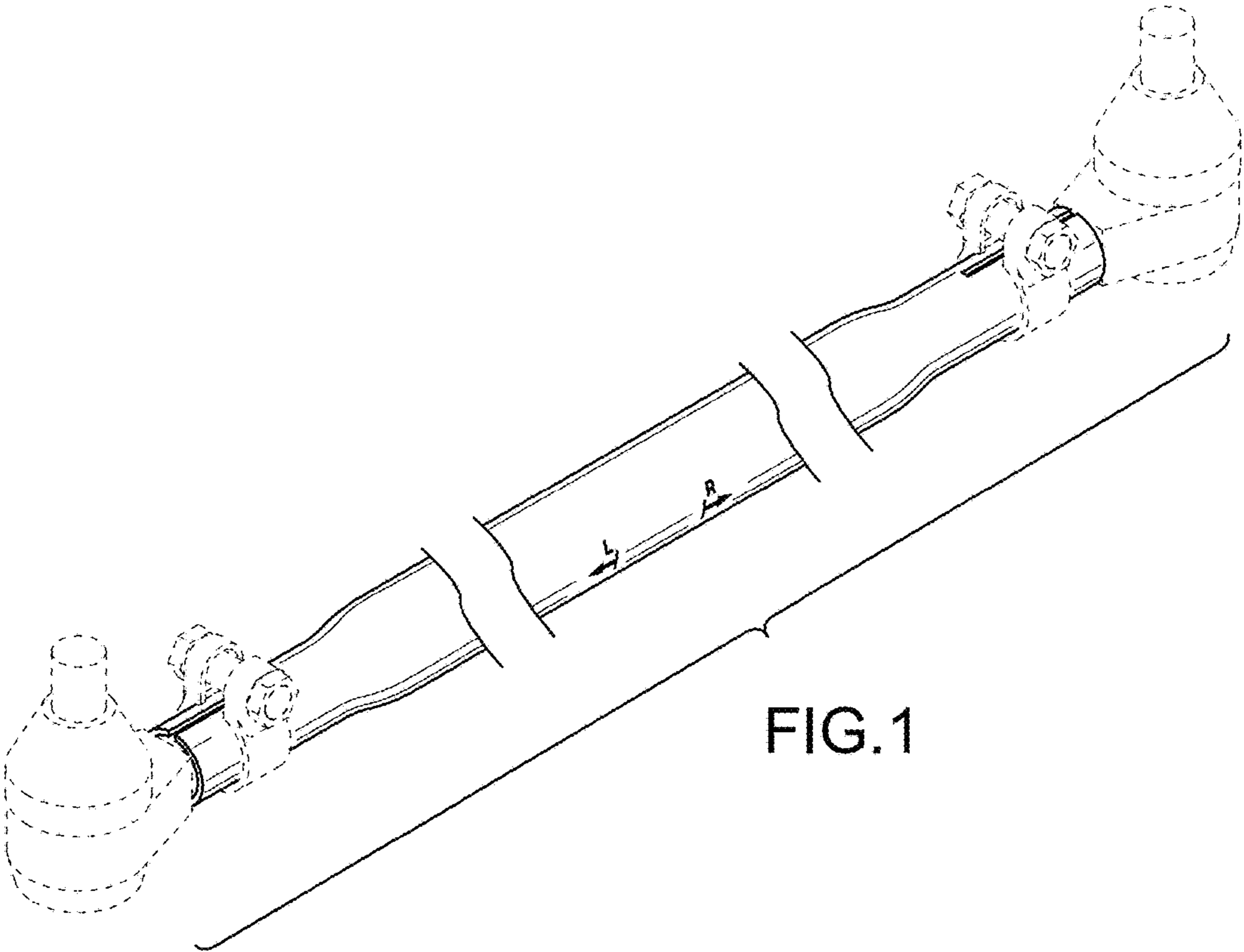
D545,246	S *	6/2007	Kroeker	D12/159
8,770,602	B1 *	7/2014	Belleau	B62D 7/20
				280/93.51
D713,301	S *	9/2014	Haviland	D12/159
D820,769	S *	6/2018	Winter	D12/400
D847,696	S *	5/2019	Carlini	D12/159
2002/0149158	A1 *	10/2002	Havercamp	B62D 3/12
				277/634
2003/0053853	A1 *	3/2003	Wasylewski	B62D 7/16
				403/122
2009/0078490	A1 *	3/2009	Shao	B62D 3/12
				180/400
2009/0304437	A1 *	12/2009	Hurtig	B62D 7/166
				403/24
2014/0291953	A1 *	10/2014	Messenger	B62D 7/22
				280/93.511
2016/0159393	A1 *	6/2016	Messenger	B62D 7/20
				403/109.1

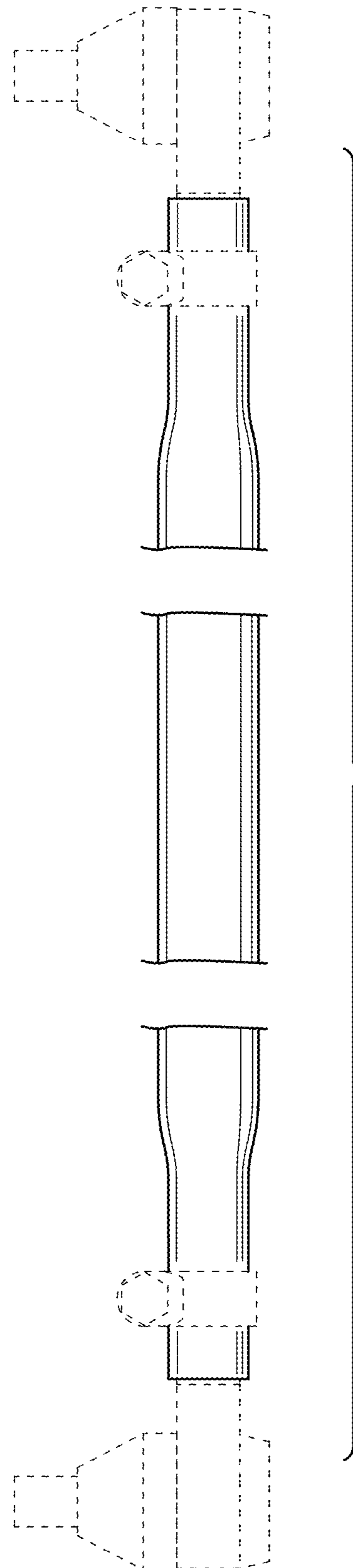
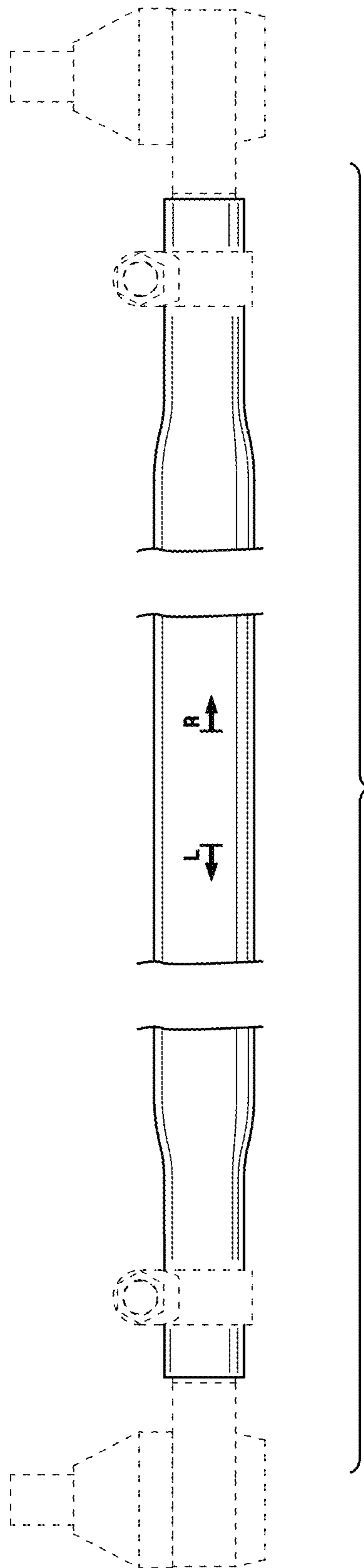
OTHER PUBLICATIONS

QwikTie Tie Rod Assembly, posted at STEMCO, posting date Apr. 21, 2017. [site visited Jun. 29, 2018] [Available from internet] URL: <<https://web.archive.org/web/20170421125943/http://www.stemco.com/product/qwiktie/>> (Year: 2017).*

VW Adjustable Tie Rod Assembly, posted at J Bugs, review posting date Jun. 2, 2017. [site visited Jun. 29, 2018] [Available from internet] URL: <<https://www.jbugs.com/product/131415801B.html>> (Year: 2017).*

* cited by examiner





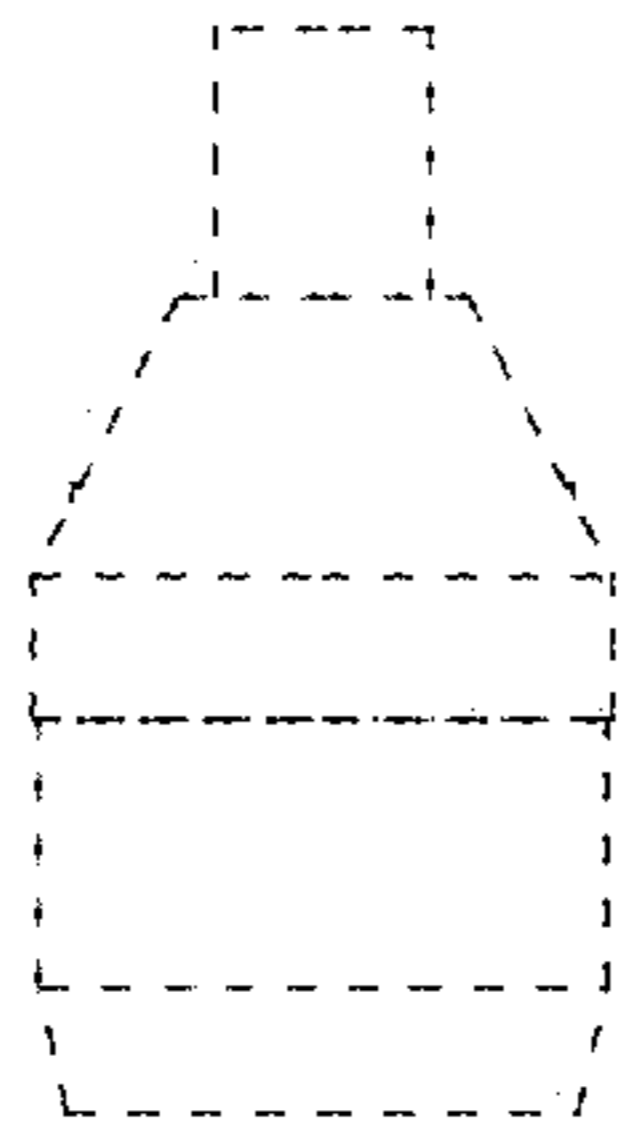


FIG.4

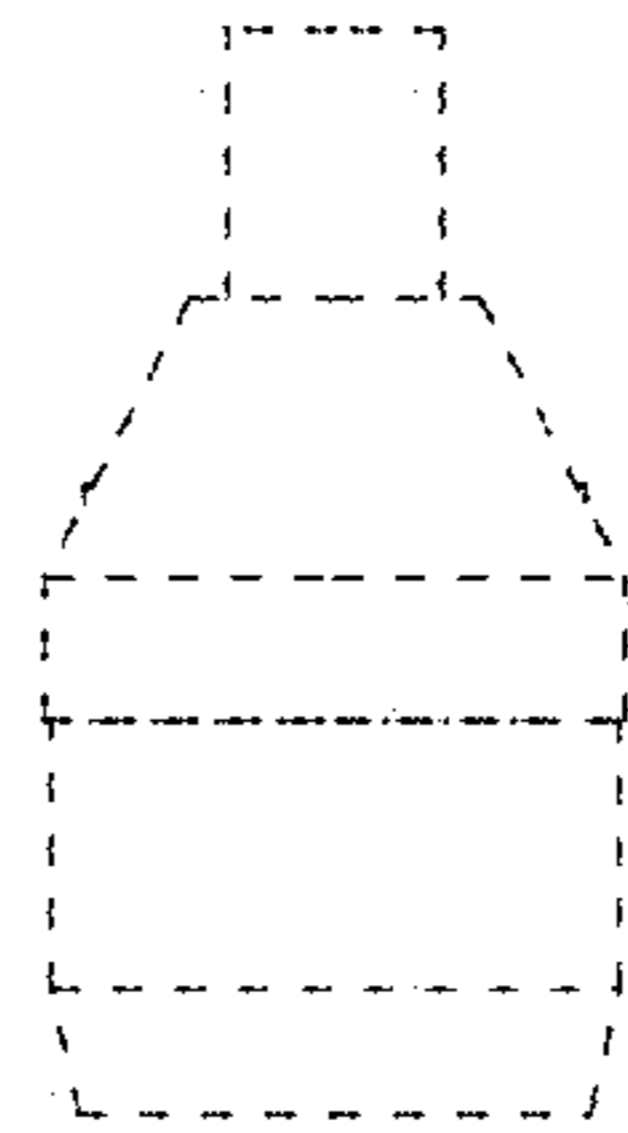


FIG.5

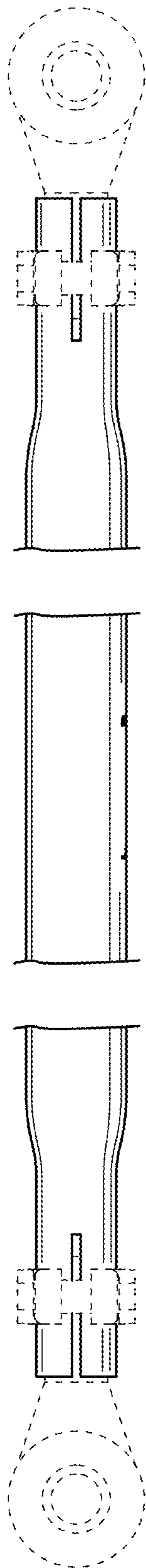


FIG. 6

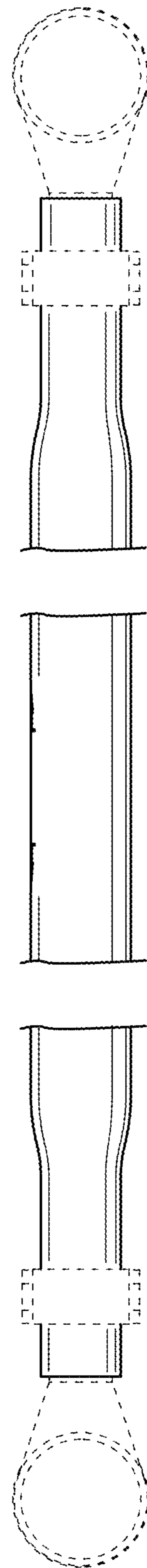


FIG. 7

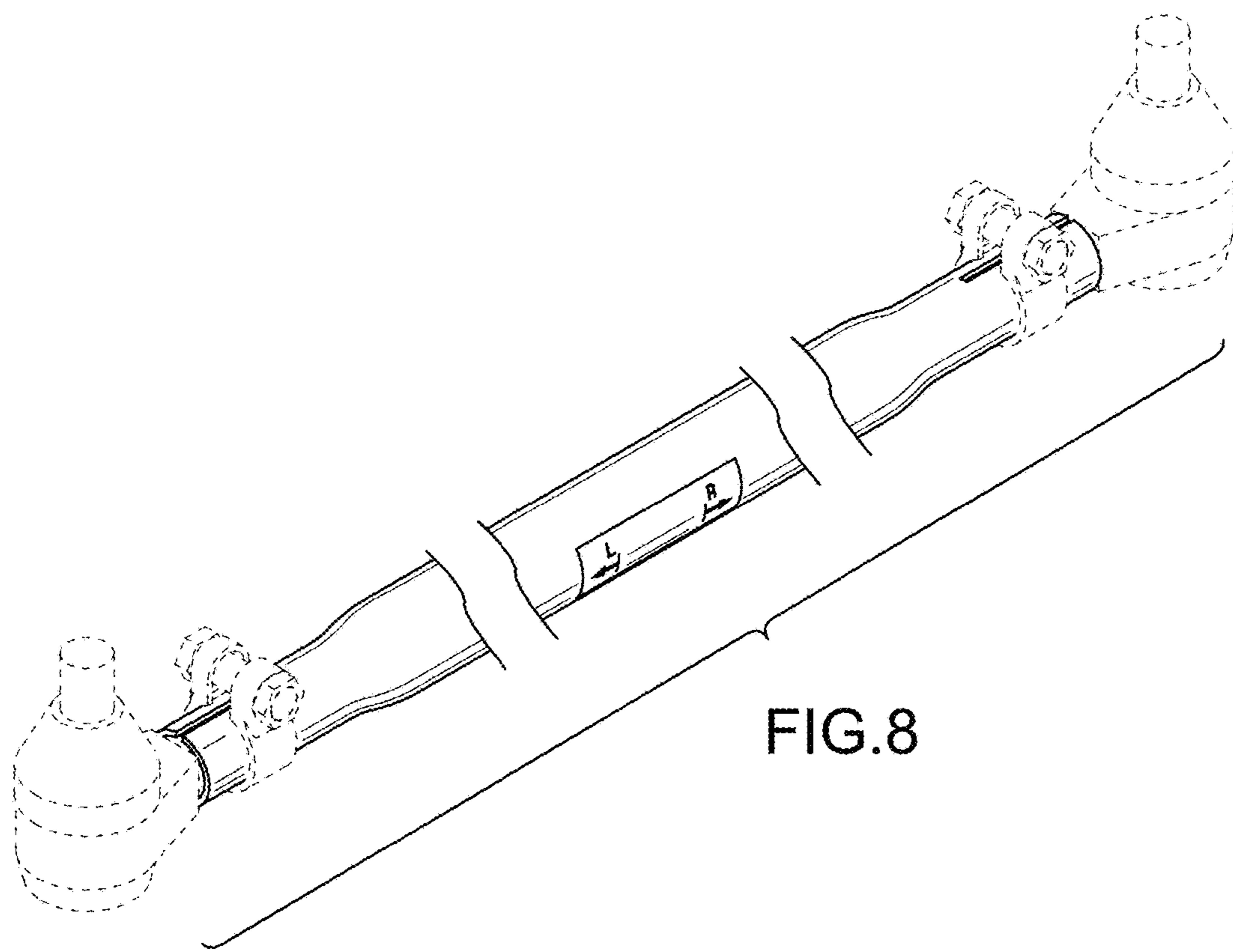


FIG. 8

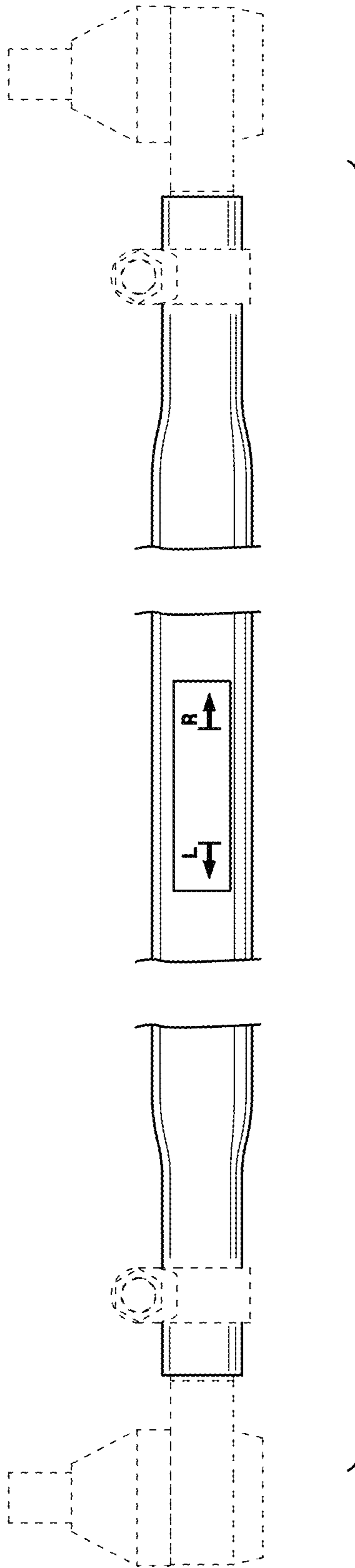


FIG. 9

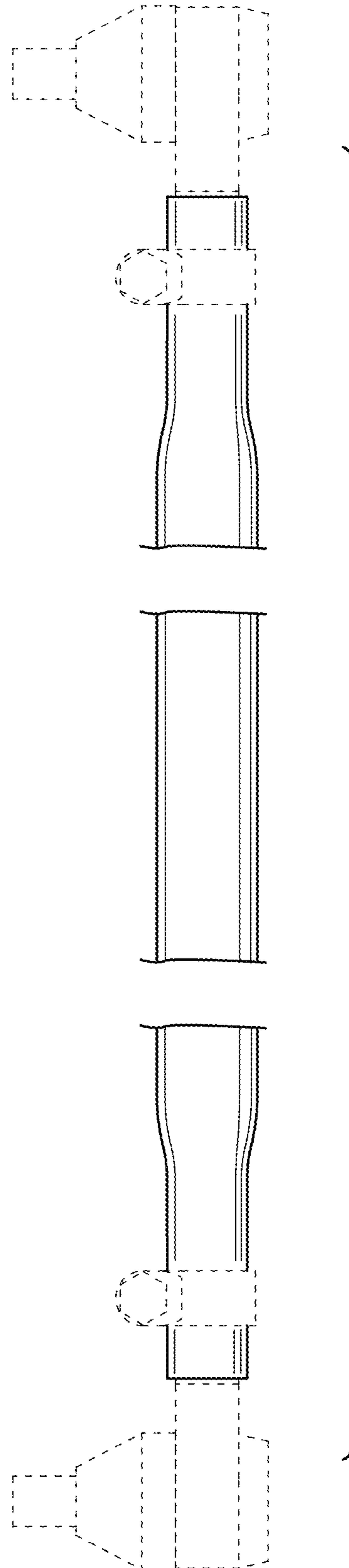


FIG. 10

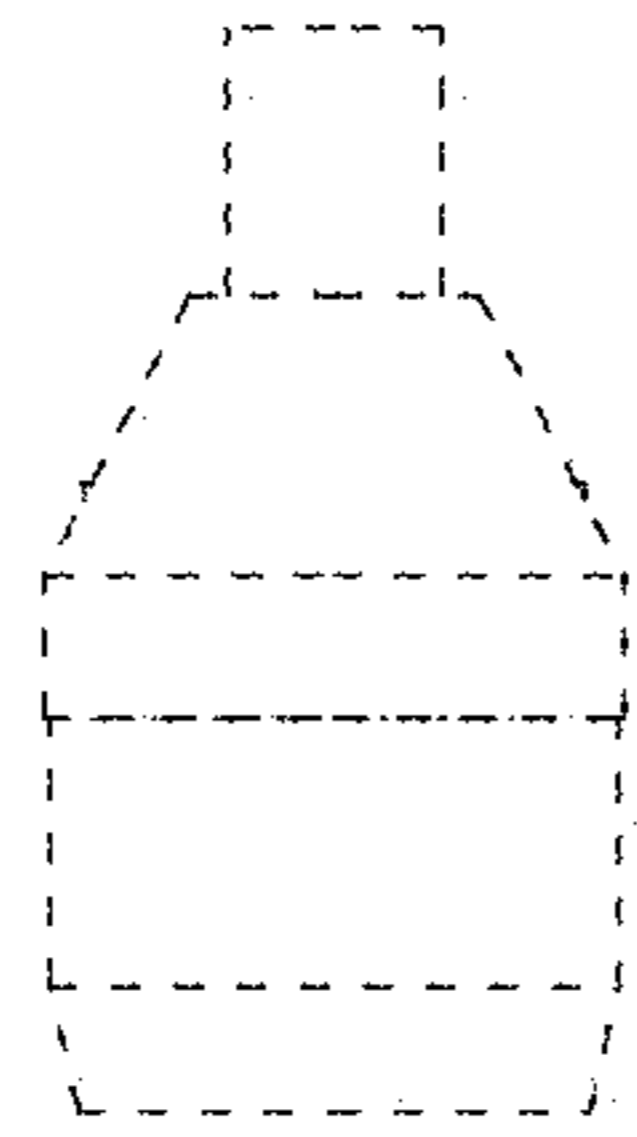


FIG.11

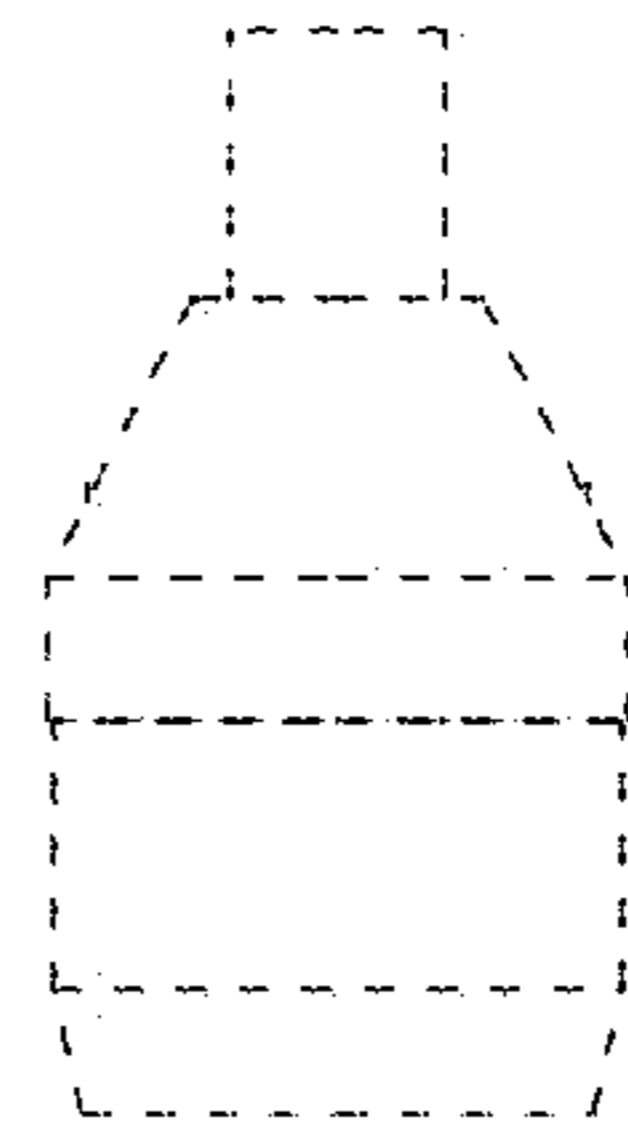


FIG.12

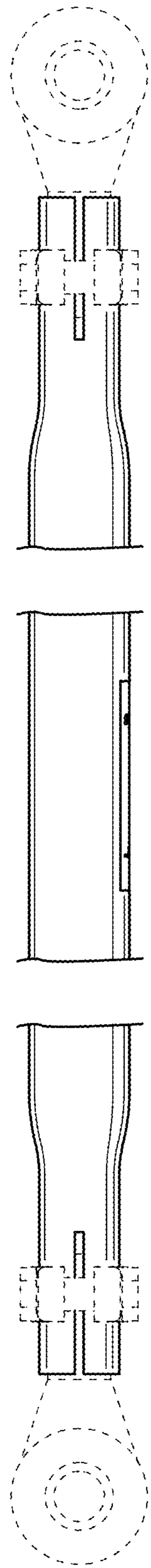


FIG.13

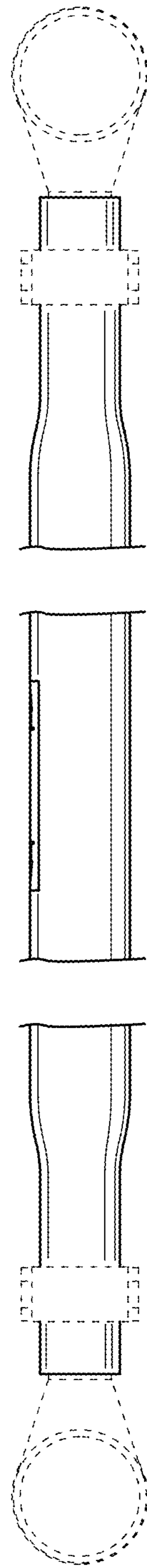


FIG.14