

US00D862304S

(12) **United States Design Patent** (10) **Patent No.:** **US D862,304 S**  
**Kim et al.** (45) **Date of Patent:** **\*\* \*Oct. 8, 2019**

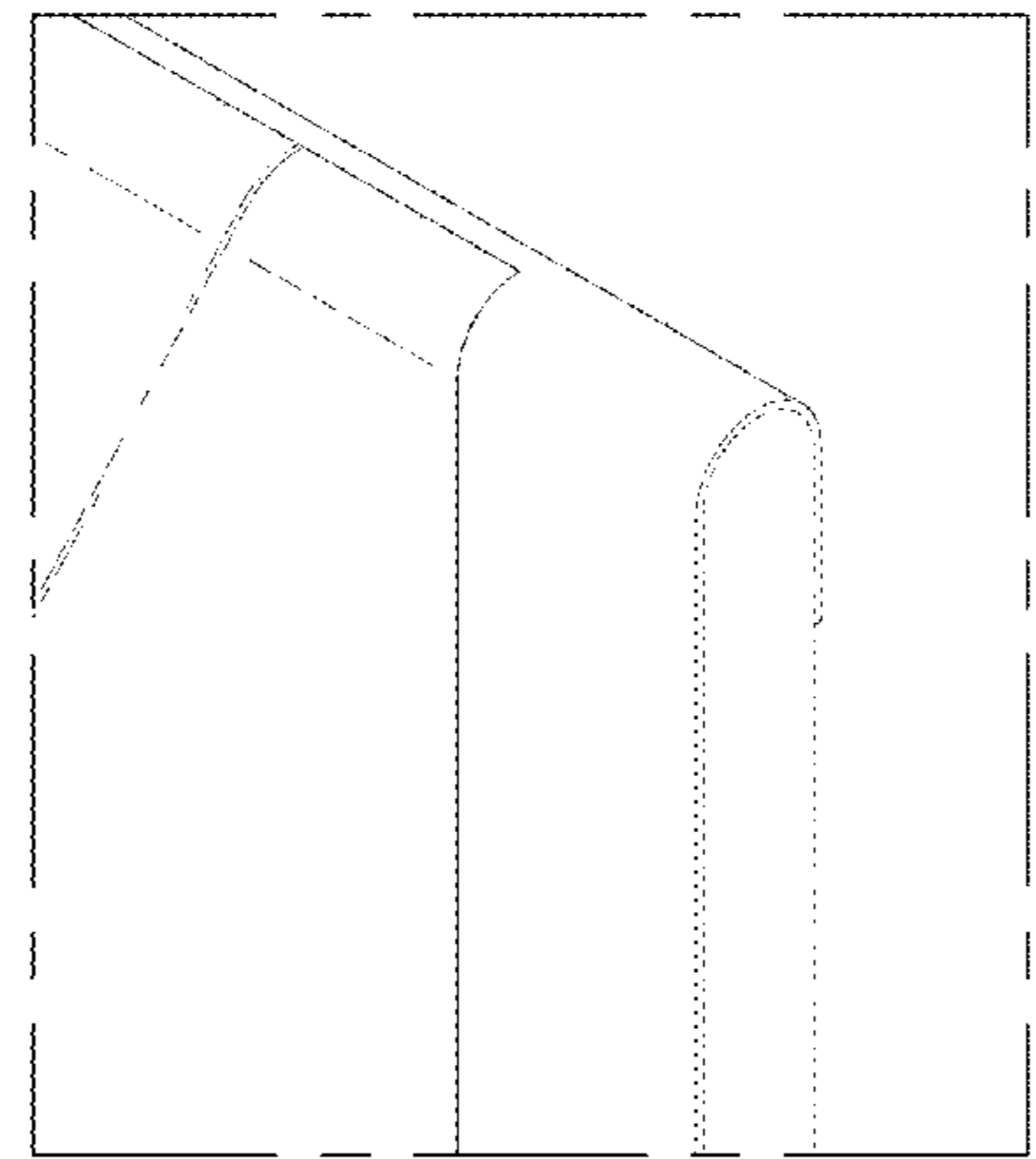
(54) **TELEVISION RECEIVER**  
(71) Applicant: **LG ELECTRONICS INC.**, Seoul (KR)  
(72) Inventors: **Taeho Kim**, Seoul (KR); **Yooseok Kim**, Seoul (KR); **Jeongrok Lee**, Seoul (KR); **Chulmin Lim**, Seoul (KR); **Hyunbyung Cha**, Seoul (KR); **Yeojeong Choi**, Seoul (KR)  
(73) Assignee: **LG ELECTRONICS INC.**, Seoul (KR)  
(\*) Notice: This patent is subject to a terminal disclaimer.  
(\*\*) Term: **15 Years**  
(21) Appl. No.: **35/504,860**  
(22) Filed: **Nov. 3, 2017**  
(80) **Hague Agreement Data**  
Int. Filing Date: **Nov. 3, 2017**  
Int. Reg. No.: **DM/098564**  
Int. Reg. Date: **Nov. 3, 2017**  
Int. Reg. Pub. Date: **May 4, 2018**  
(30) **Foreign Application Priority Data**  
May 4, 2017 (KR) ..... 30-2017-0020630  
(51) **LOC (12) Cl.** ..... **14-03**  
(52) **U.S. Cl.**  
USPC ..... **D12/126**  
(58) **Field of Classification Search**  
USPC ..... D14/125-134, 136, 159, 239, 248, 336, D14/341, 342, 371, 374-377, 440, 448, D14/450; D6/300, 477, 479; D10/15, D10/26; D20/10, 19, 39; D21/329, 331, D21/333, 433, 448, 450, 452, 505, 515, D21/577, 622  
CPC ... G06F 1/1601; G06F 1/1643; H05K 5/0004; H05K 5/0017; H05K 5/02; H05K 5/0217; H04N 13/0459  
See application file for complete search history.

(56) **References Cited**  
U.S. PATENT DOCUMENTS  
D139,931 S \* 1/1945 Dreyfuss ..... D10/90  
D370,058 S \* 5/1996 Bostrom ..... D23/315  
D493,640 S \* 8/2004 Nemece ..... D6/703  
D539,764 S \* 4/2007 Honda ..... D14/126  
D572,743 S \* 7/2008 Madonna ..... D14/126  
7,556,384 B2 \* 7/2009 Chan ..... A45D 42/18  
353/122  
(Continued)  
*Primary Examiner* — Darlington Ly  
(74) *Attorney, Agent, or Firm* — Birch, Stewart, Kolasch & Birch, LLP

(57) **CLAIM**  
The ornamental design for a television receiver, as shown and described.

**DESCRIPTION**  
1. Television receiver  
1.1 is a perspective view of a television receiver showing our new design;  
1.2 is a front elevation view thereof;  
1.3 is a rear elevation view thereof;  
1.4 is a left side elevation view thereof;  
1.5 is a top plan view thereof;  
1.6 is an enlarged perspective view thereof showing the top-right corner portion; and  
1.7 is an enlarged perspective view thereof showing the bottom-right corner portion.  
The even dash-dash broken lines in the reproductions illustrate portions of the television receiver that form no part of the claimed design. The dash-dot broken lines in reproductions 1.6 and 1.7 are provided for the purpose of indicating the boundaries of the enlargement view and do not represent actual structure or environment.

**1 Claim, 7 Drawing Sheets**



(56)

References Cited

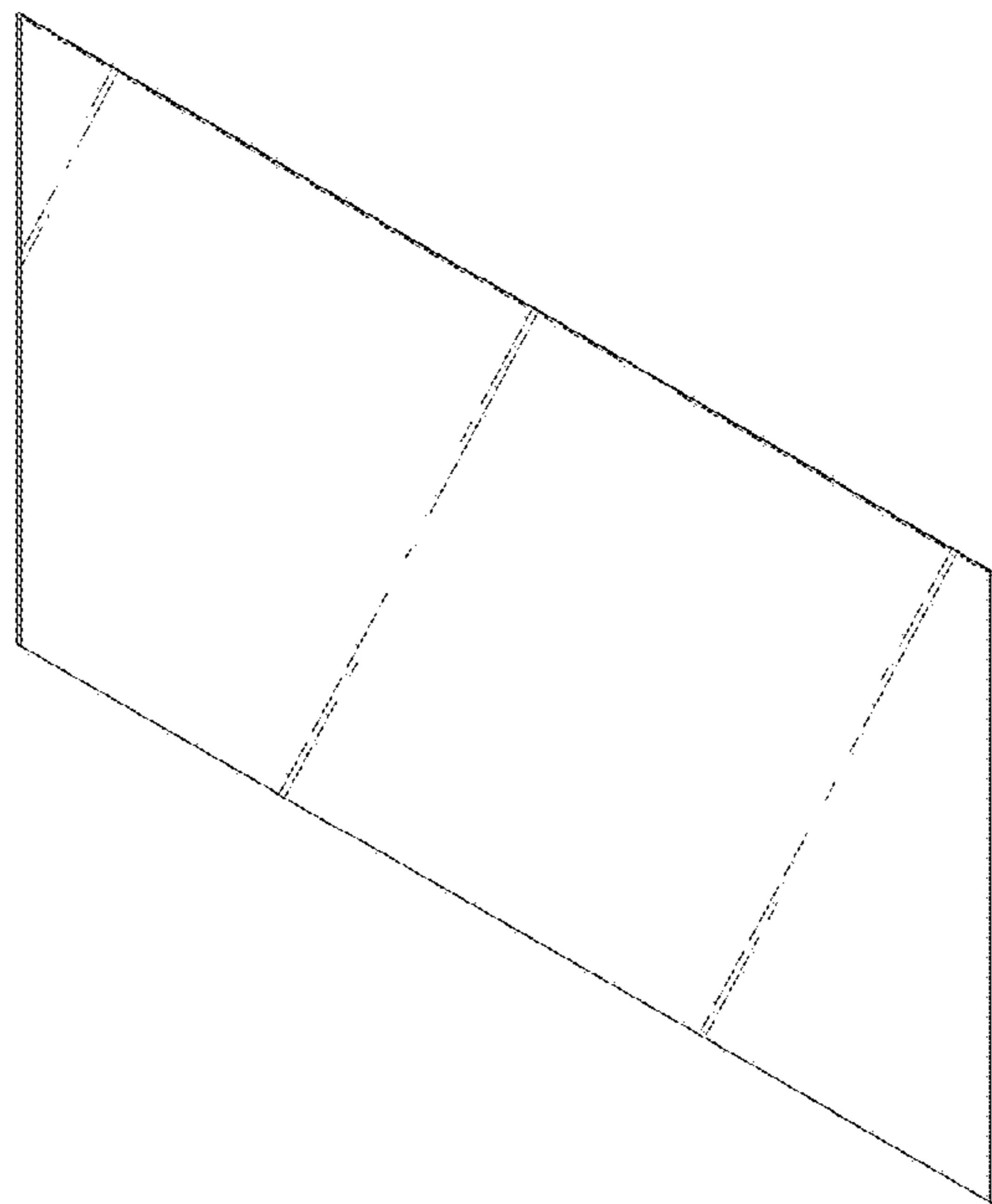
U.S. PATENT DOCUMENTS

D605,614 S \* 12/2009 Lee ..... D14/126  
 D630,199 S \* 1/2011 Suzuki ..... D14/248  
 D646,658 S \* 10/2011 Chino ..... D14/126  
 D651,214 S \* 12/2011 Yoo ..... D14/448  
 D655,287 S \* 3/2012 de Jong ..... D14/341  
 D655,288 S \* 3/2012 de Jong ..... D14/341  
 D663,297 S \* 7/2012 de Jong ..... D14/341  
 D665,809 S \* 8/2012 Wang ..... D14/248  
 D666,591 S \* 9/2012 Li ..... D14/248  
 D666,602 S \* 9/2012 Li ..... D14/248  
 D666,608 S \* 9/2012 Li ..... D14/248  
 D666,612 S \* 9/2012 Li ..... D14/248  
 D667,412 S \* 9/2012 Wang ..... D14/248  
 D670,685 S \* 11/2012 Li ..... D14/248  
 D671,926 S \* 12/2012 Li ..... D14/248  
 D671,927 S \* 12/2012 Li ..... D14/248  
 D671,928 S \* 12/2012 Li ..... D14/248  
 D671,929 S \* 12/2012 Li ..... D14/248  
 D672,338 S \* 12/2012 Li ..... D14/248  
 D672,339 S \* 12/2012 Li ..... D14/248  
 D697,911 S \* 1/2014 McManigal ..... D14/341  
 D698,353 S \* 1/2014 Choi ..... D14/138 G  
 D701,191 S \* 3/2014 Suk ..... D14/138 G  
 D701,192 S \* 3/2014 Park ..... D14/138 G  
 D706,738 S \* 6/2014 Kim ..... D14/138 G  
 D715,290 S \* 10/2014 Bryan ..... D14/341  
 D716,304 S \* 10/2014 Orthey ..... D14/385  
 D726,140 S \* 4/2015 Park ..... D14/138 R  
 D726,673 S \* 4/2015 Lee ..... D14/138 G  
 D729,757 S \* 5/2015 Lee ..... D14/138 G  
 D730,856 S \* 6/2015 Park ..... D14/126  
 D738,839 S \* 9/2015 Choi ..... D14/138 G  
 D739,367 S \* 9/2015 Choi ..... D14/138 C  
 D740,263 S \* 10/2015 Choi ..... D14/248  
 D740,806 S \* 10/2015 Fujimoto ..... D14/341  
 D741,305 S \* 10/2015 Lee ..... D14/248  
 D741,308 S \* 10/2015 Lee ..... D14/248  
 D742,867 S \* 11/2015 Lee ..... D14/248  
 D744,468 S \* 12/2015 Lee ..... D14/248  
 D744,973 S \* 12/2015 Lee ..... D14/138 G  
 D744,990 S \* 12/2015 Lee ..... D14/138 G  
 D744,991 S \* 12/2015 Lee ..... D14/248  
 D744,992 S \* 12/2015 Lee ..... D14/248

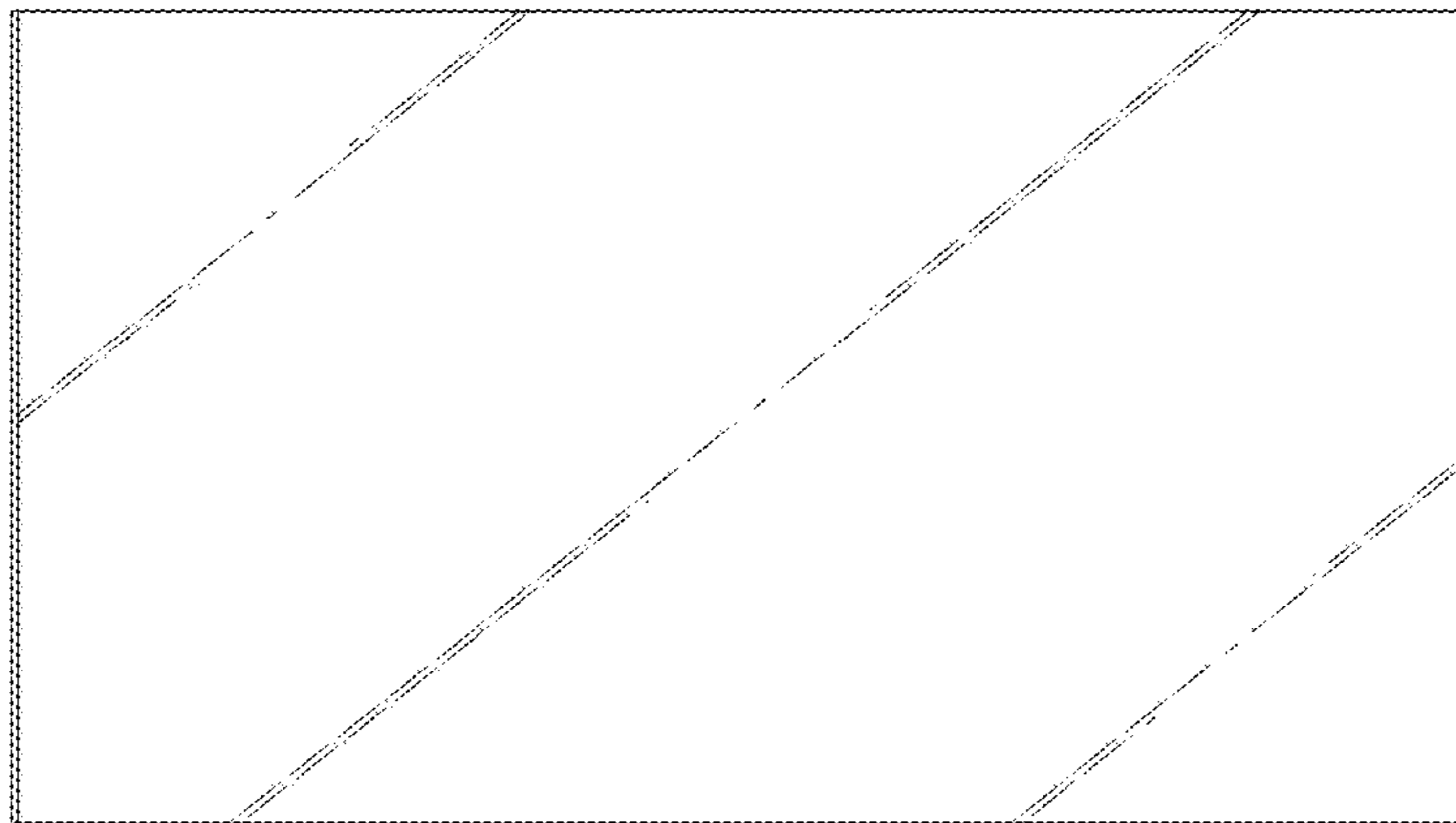
D745,004 S \* 12/2015 Kim ..... H04M 1/0268  
 D14/341  
 D747,301 S \* 1/2016 Lee ..... D14/138 G  
 D748,082 S \* 1/2016 Lee ..... D14/248  
 9,274,741 B2 \* 3/2016 Moon ..... G06F 3/0416  
 D755,166 S \* 5/2016 Lee ..... D14/248  
 D763,188 S \* 8/2016 Park ..... D13/108  
 D768,594 S \* 10/2016 Szeto ..... D14/138 G  
 D769,209 S \* 10/2016 Byun ..... D14/138 AB  
 D771,034 S \* 11/2016 Satzger ..... D14/341  
 D772,187 S \* 11/2016 Woo ..... D14/126  
 D774,486 S \* 12/2016 Defazio ..... D14/138 G  
 D774,487 S \* 12/2016 Defazio ..... D14/138 AD  
 D775,597 S \* 1/2017 Kim ..... D14/138 G  
 D775,599 S \* 1/2017 Kim ..... D14/138 G  
 D777,713 S \* 1/2017 Choo ..... D14/248  
 9,550,695 B2 \* 1/2017 Immerman ..... C03B 23/0357  
 D778,365 S \* 2/2017 Kott ..... D20/43  
 D778,890 S \* 2/2017 Kim ..... D14/248  
 D783,557 S \* 4/2017 Lee ..... D14/138 G  
 D788,103 S \* 5/2017 Kim ..... D14/341  
 D788,752 S \* 6/2017 Kim ..... D14/138 G  
 D792,384 S \* 7/2017 Kim ..... D14/248  
 D797,726 S \* 9/2017 Lee ..... D14/341  
 D801,292 S \* 10/2017 Kim ..... D14/138 G  
 D803,818 S \* 11/2017 Kim ..... D14/248  
 D803,821 S \* 11/2017 Lee ..... D14/248  
 D808,952 S \* 1/2018 Defazio ..... D14/341  
 D813,186 S \* 3/2018 Lee ..... D14/138 G  
 D836,094 S \* 12/2018 Park ..... D14/248  
 D836,627 S \* 12/2018 Xia ..... D14/341  
 D838,270 S \* 1/2019 Cho ..... D14/341  
 D839,857 S \* 2/2019 Berneth ..... D14/248  
 2013/0002133 A1 \* 1/2013 Jin ..... H01L 51/524  
 313/511  
 2013/0300697 A1 \* 11/2013 Kim ..... G06F 1/1626  
 345/173  
 2013/0337224 A1 \* 12/2013 Odani ..... G06F 1/1626  
 428/130  
 2014/0118271 A1 \* 5/2014 Lee ..... G06F 3/0488  
 345/173  
 2015/0031417 A1 \* 1/2015 Lee ..... H04M 1/72519  
 455/566  
 2016/0313966 A1 \* 10/2016 Jeong ..... G06F 1/1626

\* cited by examiner

1. 1



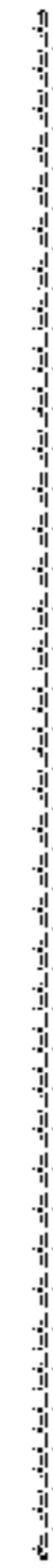
1. 2



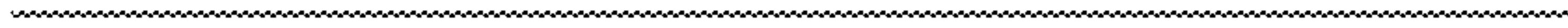
**1. 3**



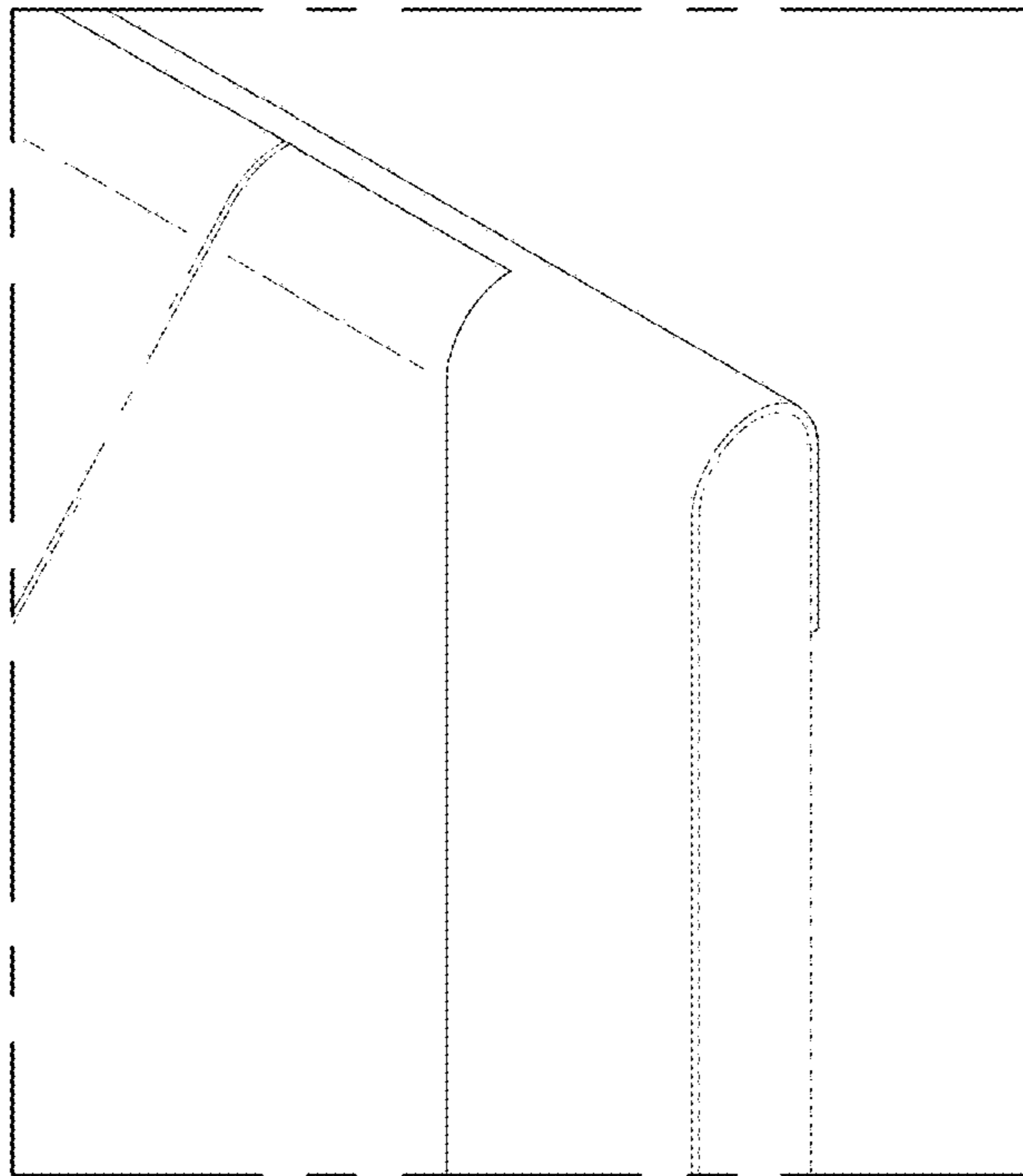
1. 4



**1. 5**



1. 6





1. 7

