

US00D862293S

(12) **United States Design Patent**
McGinley et al.

(10) **Patent No.:** **US D862,293 S**
(45) **Date of Patent:** **** Oct. 8, 2019**

- (54) **MOTORCYCLE FAIRING**
- (71) Applicant: **Harley-Davidson Motor Company Group, LLC, Milwaukee, WI (US)**
- (72) Inventors: **Ben McGinley, Glendale, WI (US);
Brad Richards, Grafton, WI (US);
Kirk Rasmussen, Springville, UT (US);
David C. Graf, Greendale, WI (US);
Richard W. Elchert, Mequon, WI (US)**
- (73) Assignee: **Harley-Davidson Motor Company Group, LLC, Milwaukee, WI (US)**
- (**) Term: **15 Years**
- (21) Appl. No.: **29/658,261**
- (22) Filed: **Jul. 30, 2018**
- (51) **LOC (12) Cl.** **12-11**
- (52) **U.S. Cl.**
USPC **D12/114**
- (58) **Field of Classification Search**
USPC D12/114, 117, 110, 126, 182, 186, 402
CPC B62J 17/00; B62J 17/02; B62J 17/04
See application file for complete search history.

D314,740 S *	2/1991	Abe	D12/182
D440,920 S *	4/2001	Nelson	D12/182
D526,606 S *	8/2006	Ban	D12/182
D529,421 S *	10/2006	Shimizu	D12/182
D533,490 S *	12/2006	Tsukasaki	D12/182
D538,213 S *	3/2007	Fukuyama	D12/182
D596,094 S *	7/2009	Fukuyama	D12/182
D690,626 S *	10/2013	Katagiri	D12/126
D713,300 S *	9/2014	Tateishi	D12/114
D753,552 S	4/2016	McGinley et al.	

* cited by examiner

Primary Examiner — Michelle E. Wilson

Assistant Examiner — Clese Moore, Jr.

(74) *Attorney, Agent, or Firm* — Michael Best & Friedrich LLP

(57) **CLAIM**

We claim the ornamental design for a motorcycle fairing, as shown and described.

DESCRIPTION

FIG. 1 is a front perspective view of a motorcycle fairing; FIG. 2 is a rear perspective view thereof; FIG. 3 is a front view thereof; FIG. 4 is a rear view thereof; FIG. 5 is a right side view thereof; FIG. 6 is a left side view thereof; FIG. 7 is a top view thereof; FIG. 8 is a bottom view thereof; and, FIG. 9 is a front perspective view of the motorcycle fairing on a motorcycle.

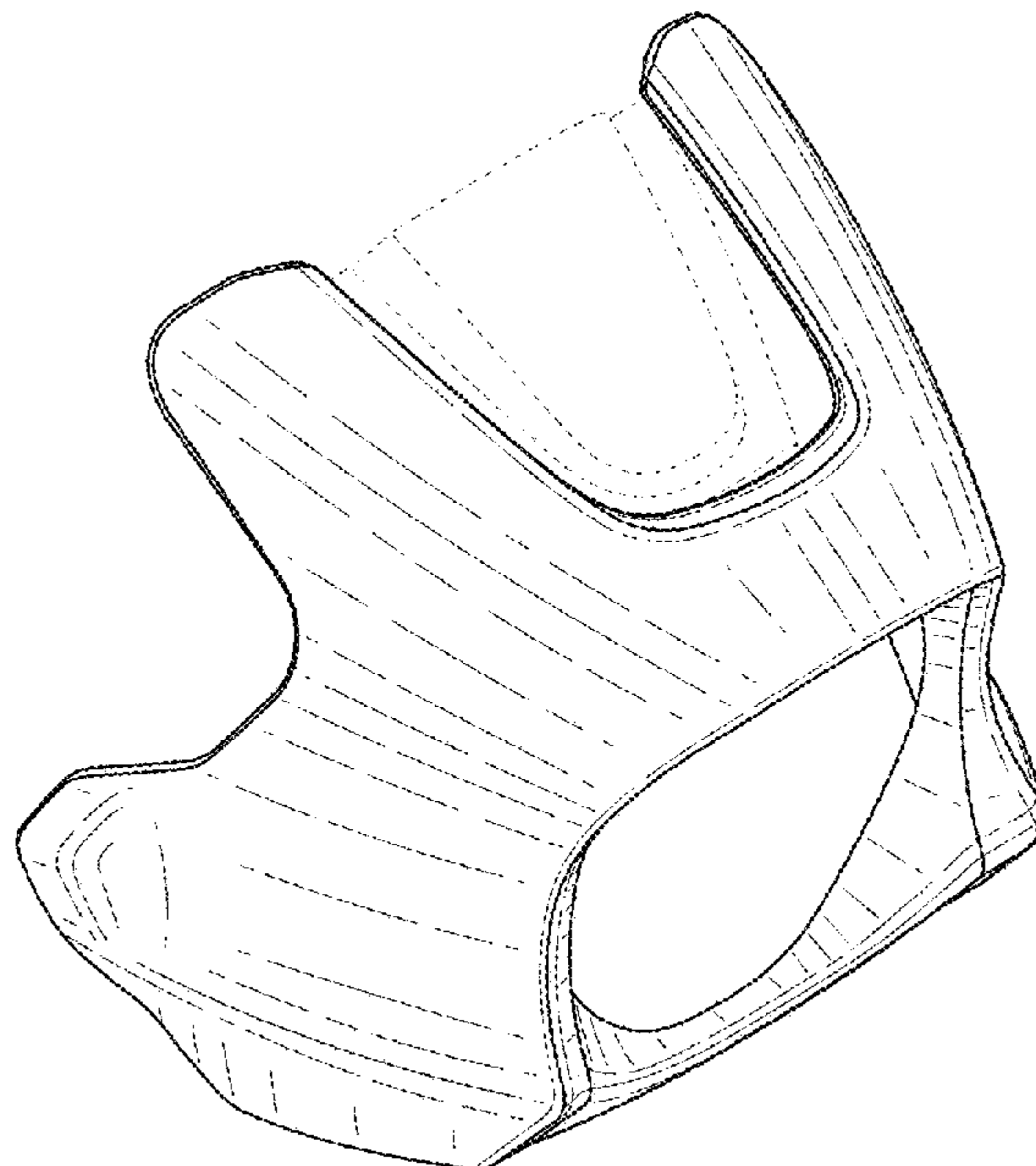
The broken lines are included for the purpose of showing environment that forms no part of the claimed design.

1 Claim, 9 Drawing Sheets

(56) **References Cited**

U.S. PATENT DOCUMENTS

D261,132 S *	10/1981	Vetter	D12/182
D266,321 S *	9/1982	Morioka	D12/182
D272,731 S *	2/1984	Firth	D12/182
D282,922 S *	3/1986	Abe	D12/182
D283,021 S *	3/1986	Abe	D12/182
D284,181 S *	6/1986	Abe	D12/182



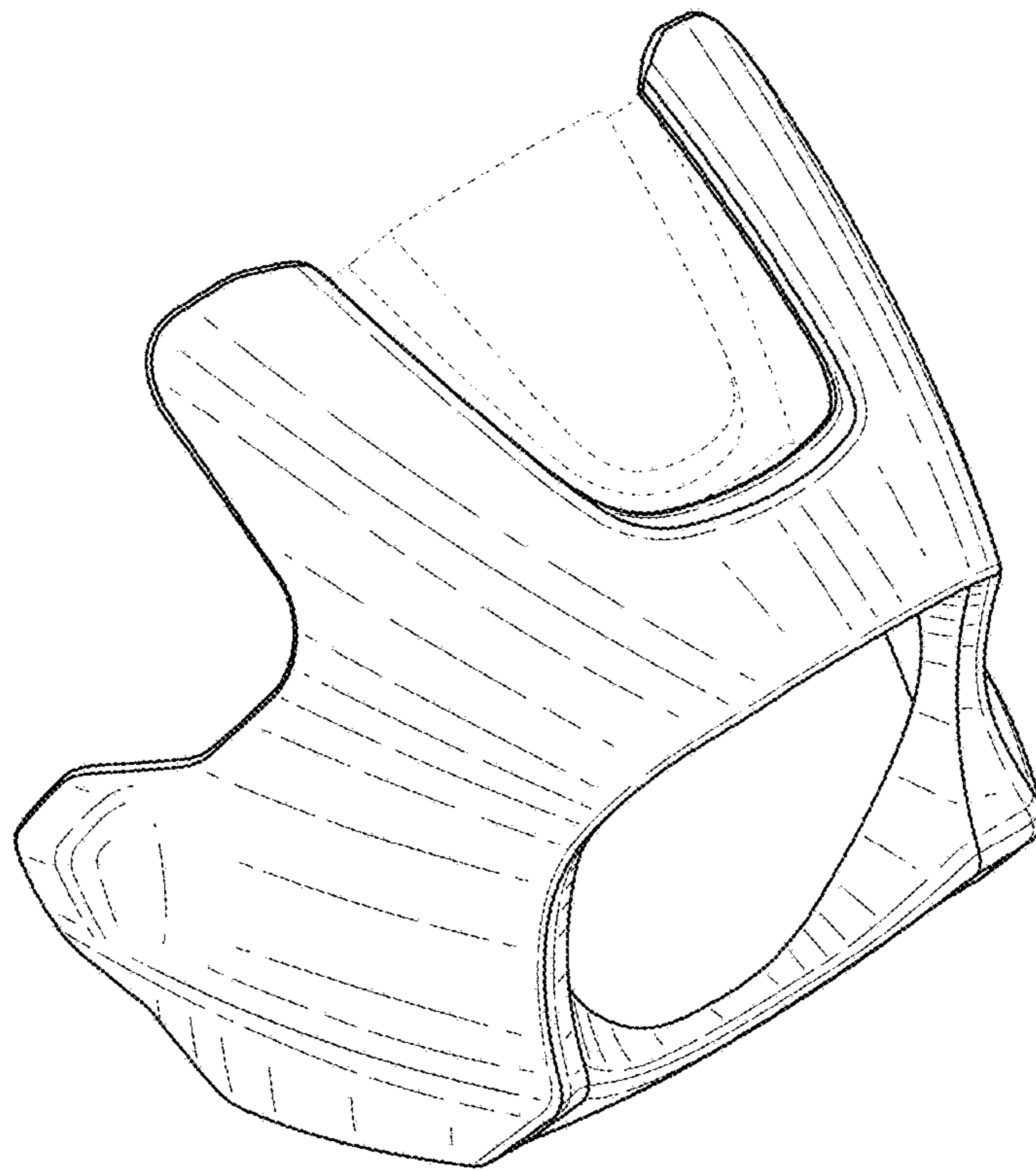


FIG. 1

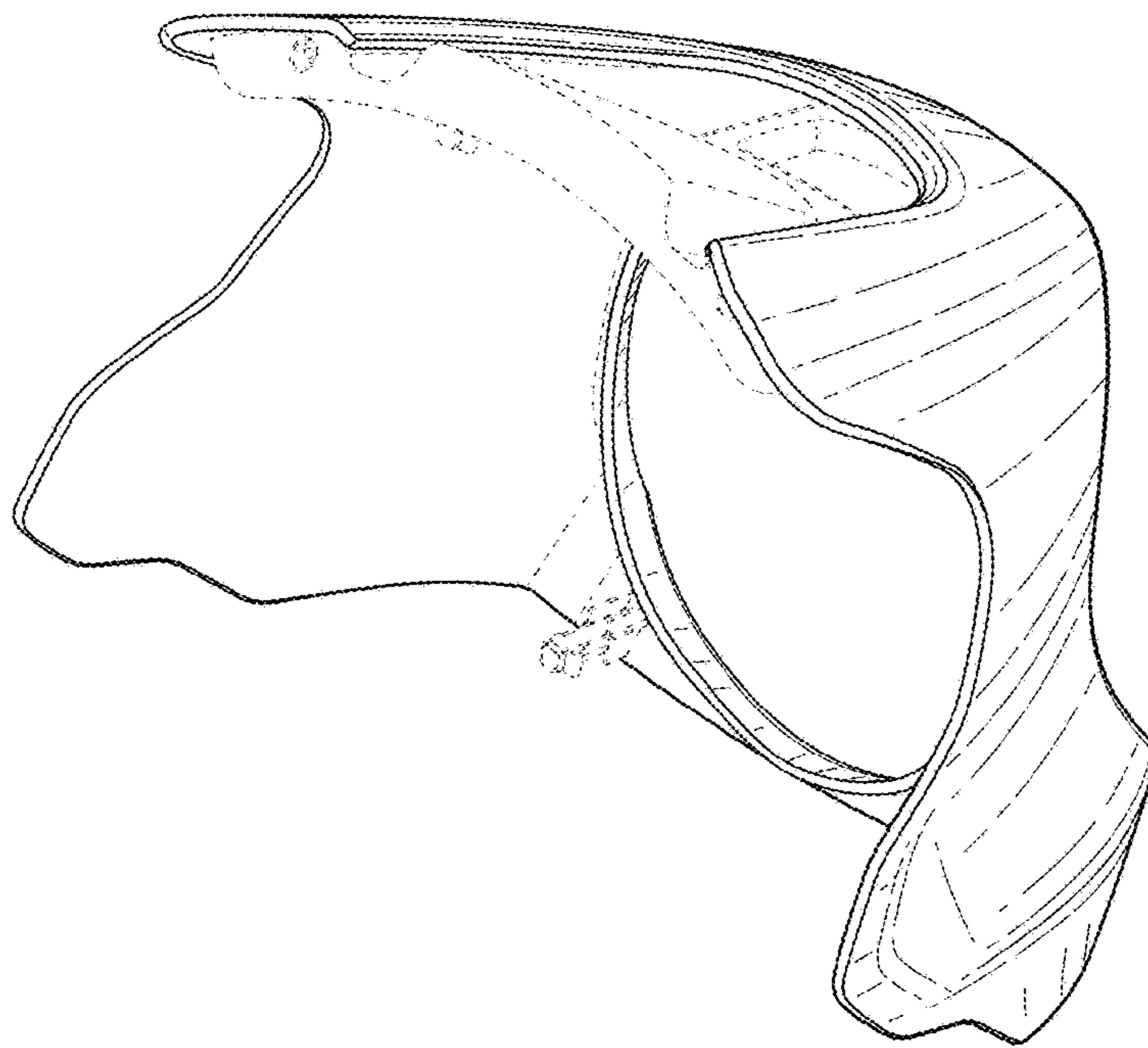


FIG. 2

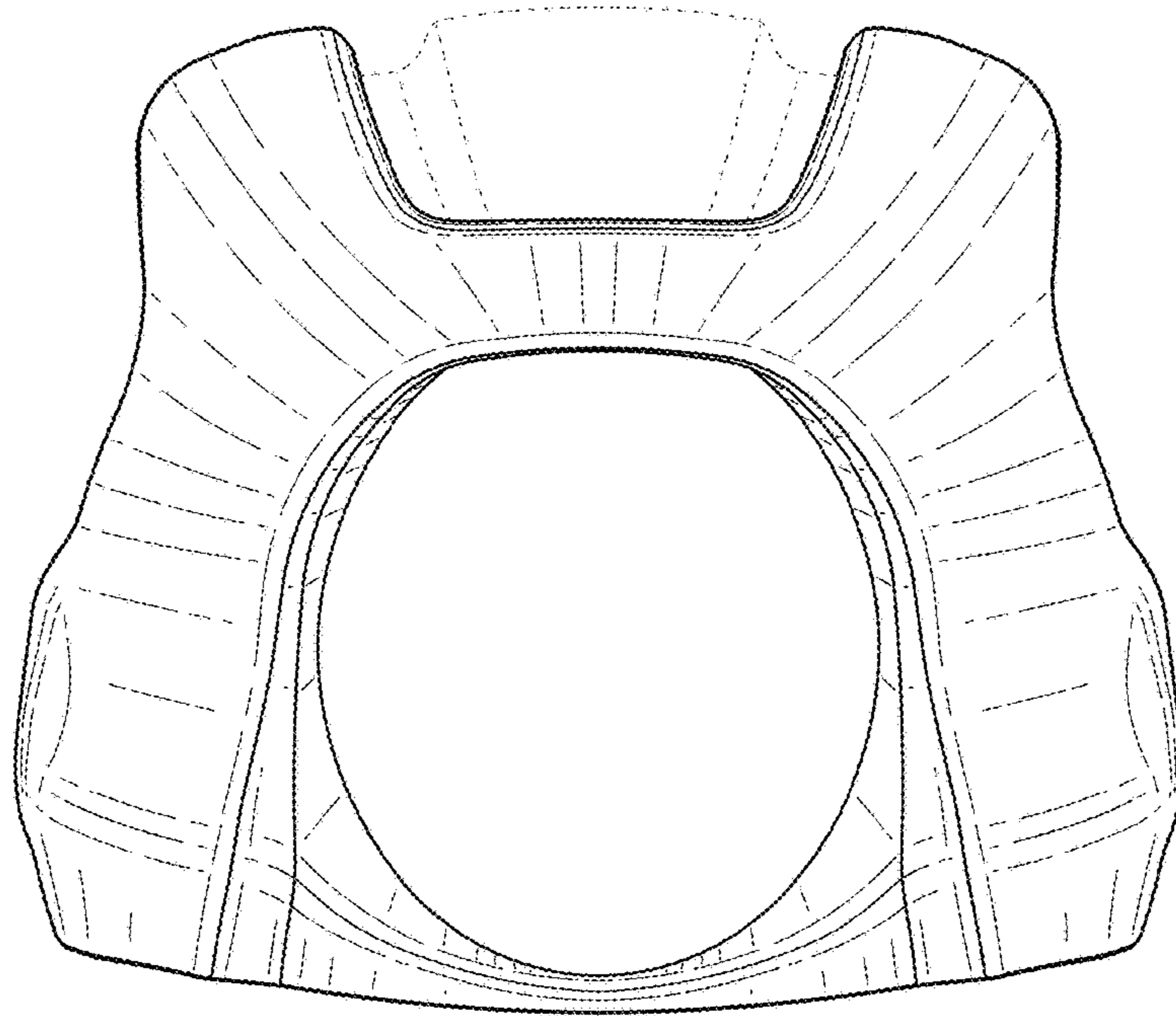


FIG. 3

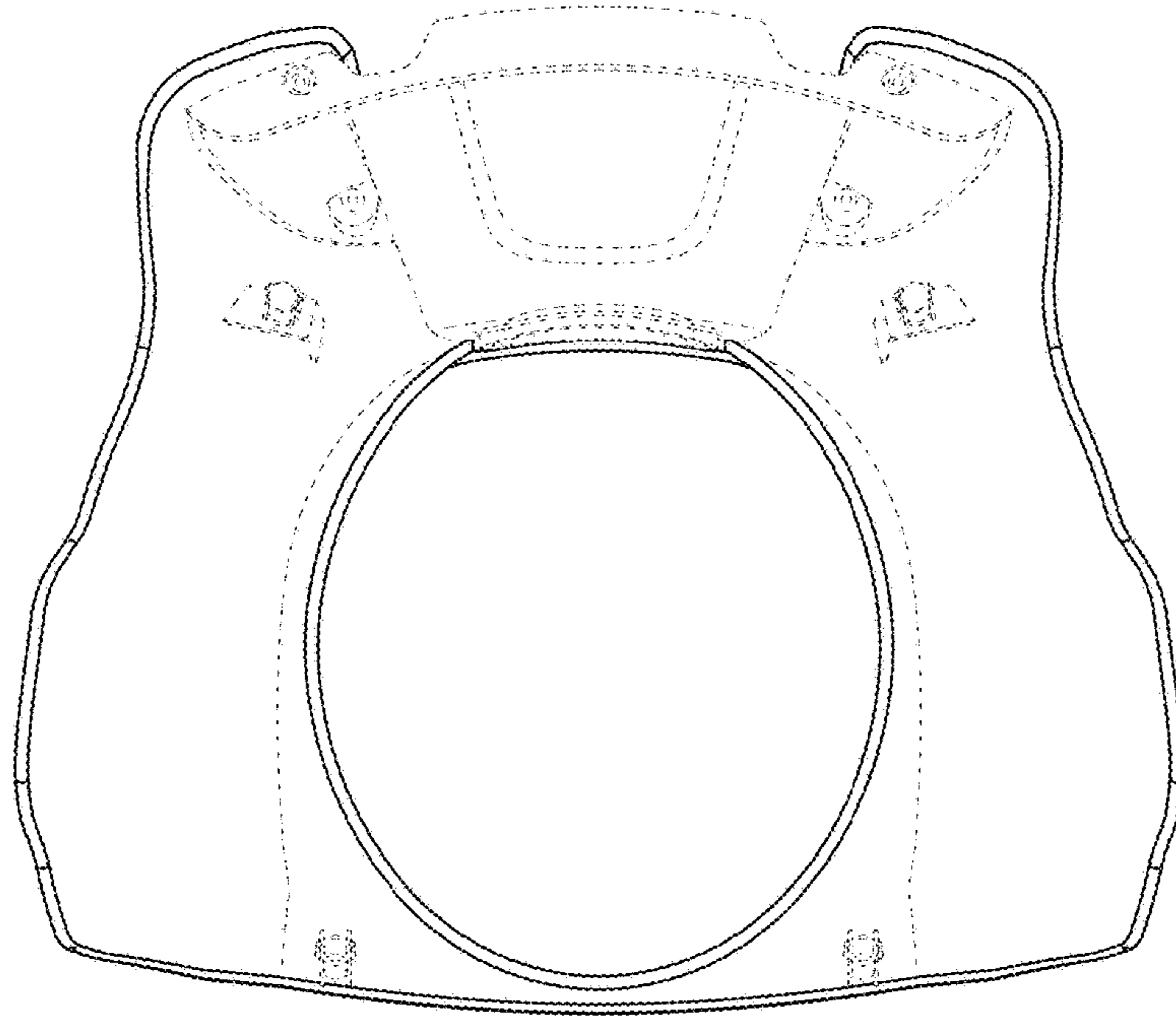


FIG. 4

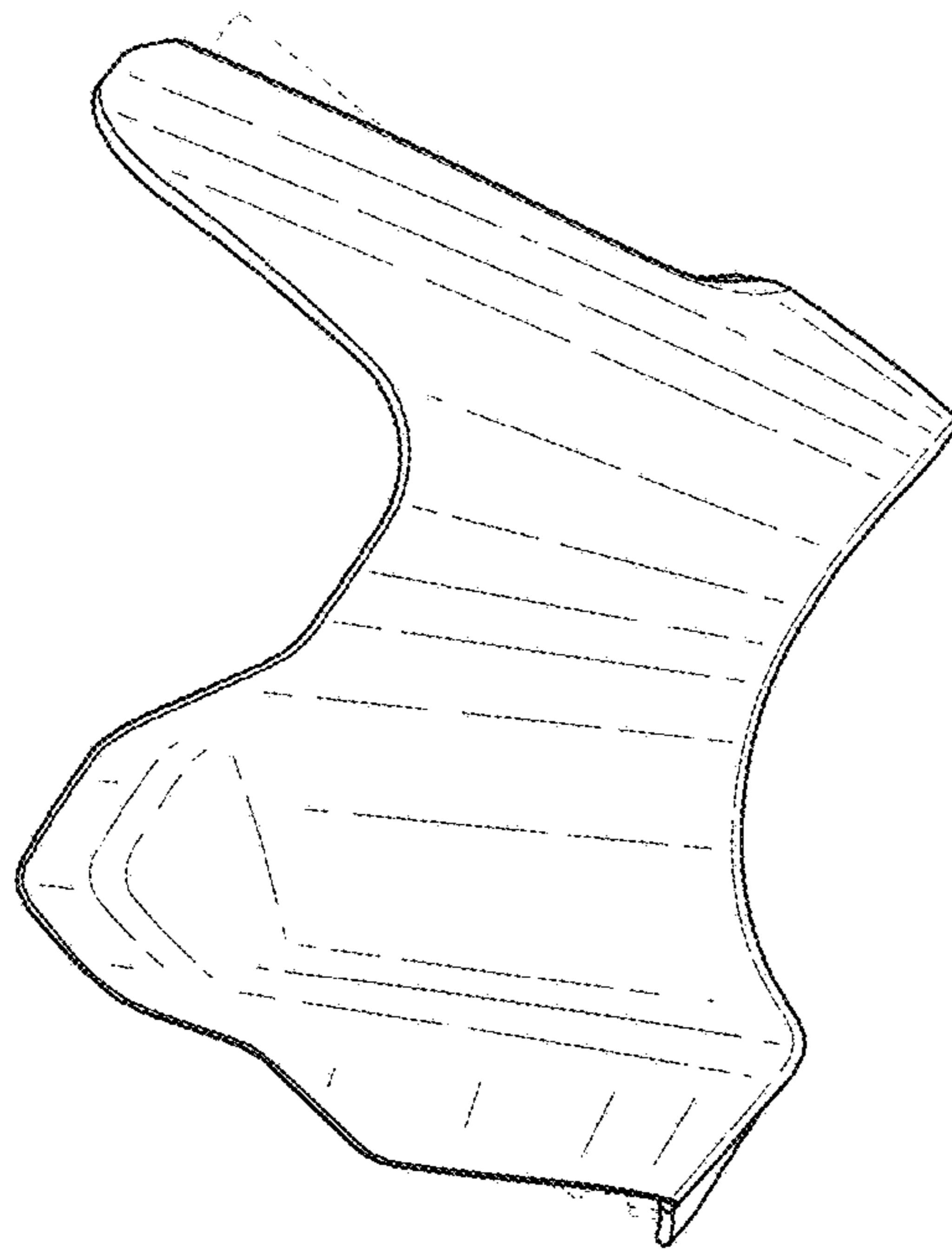


FIG. 5

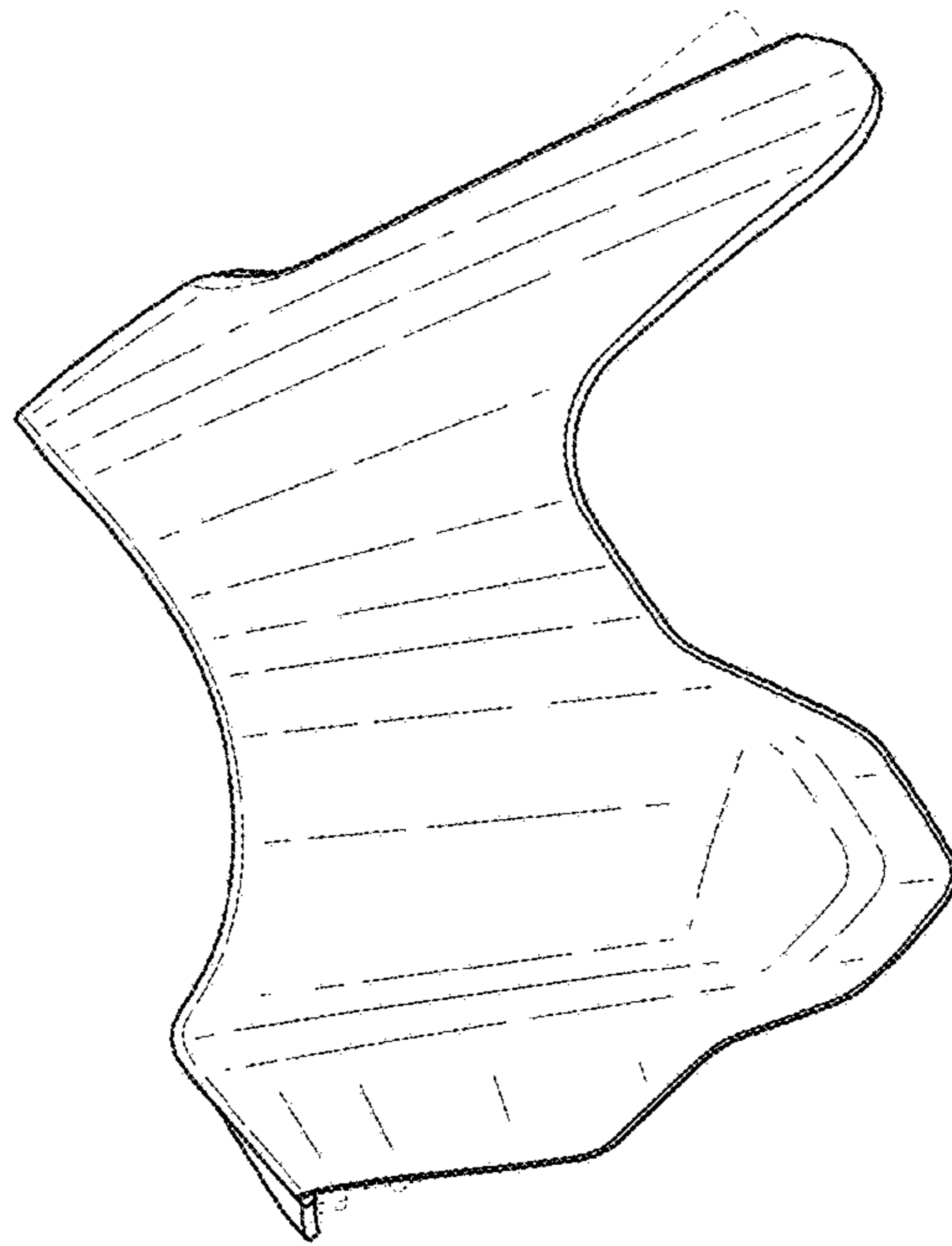


FIG. 6

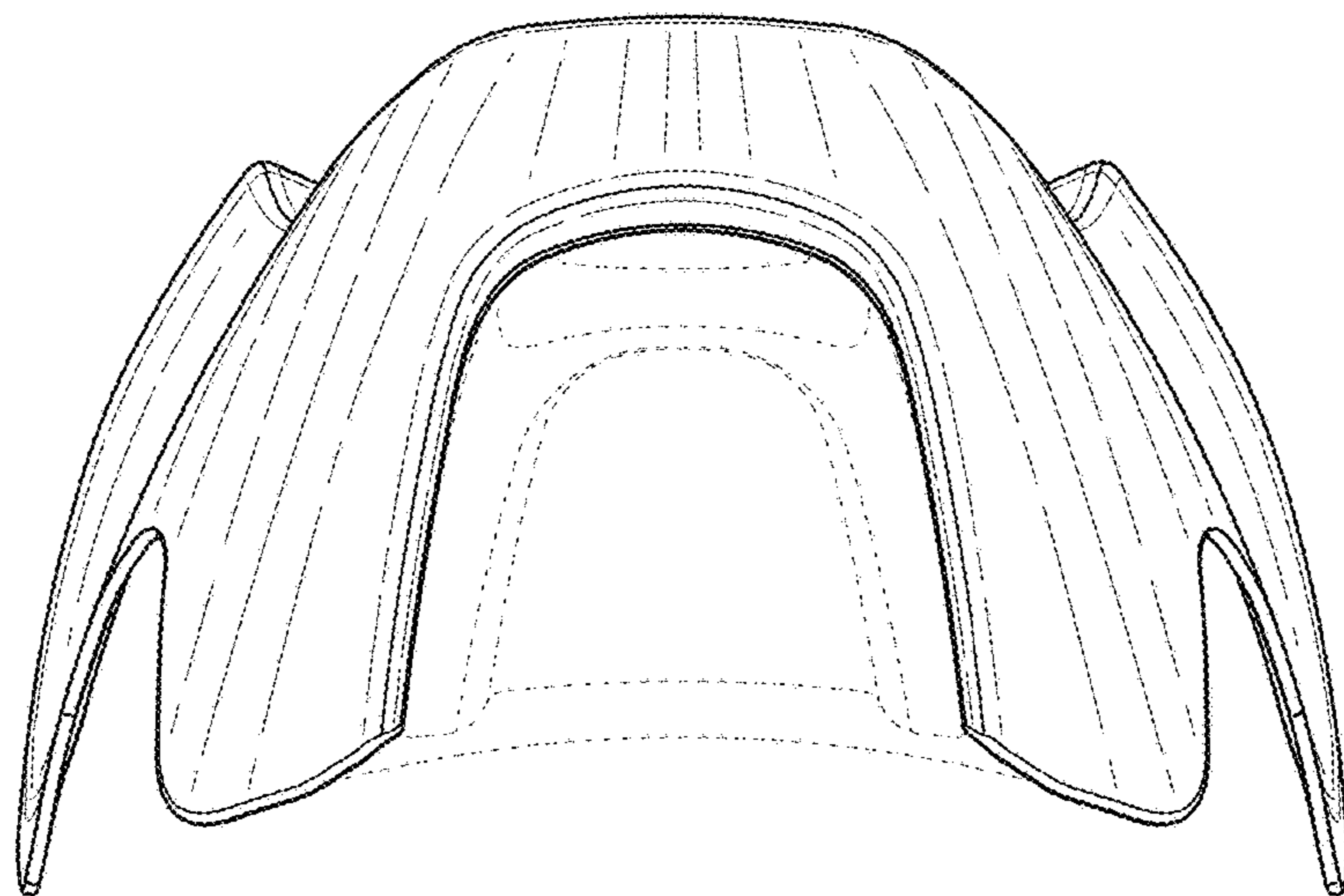


FIG. 7

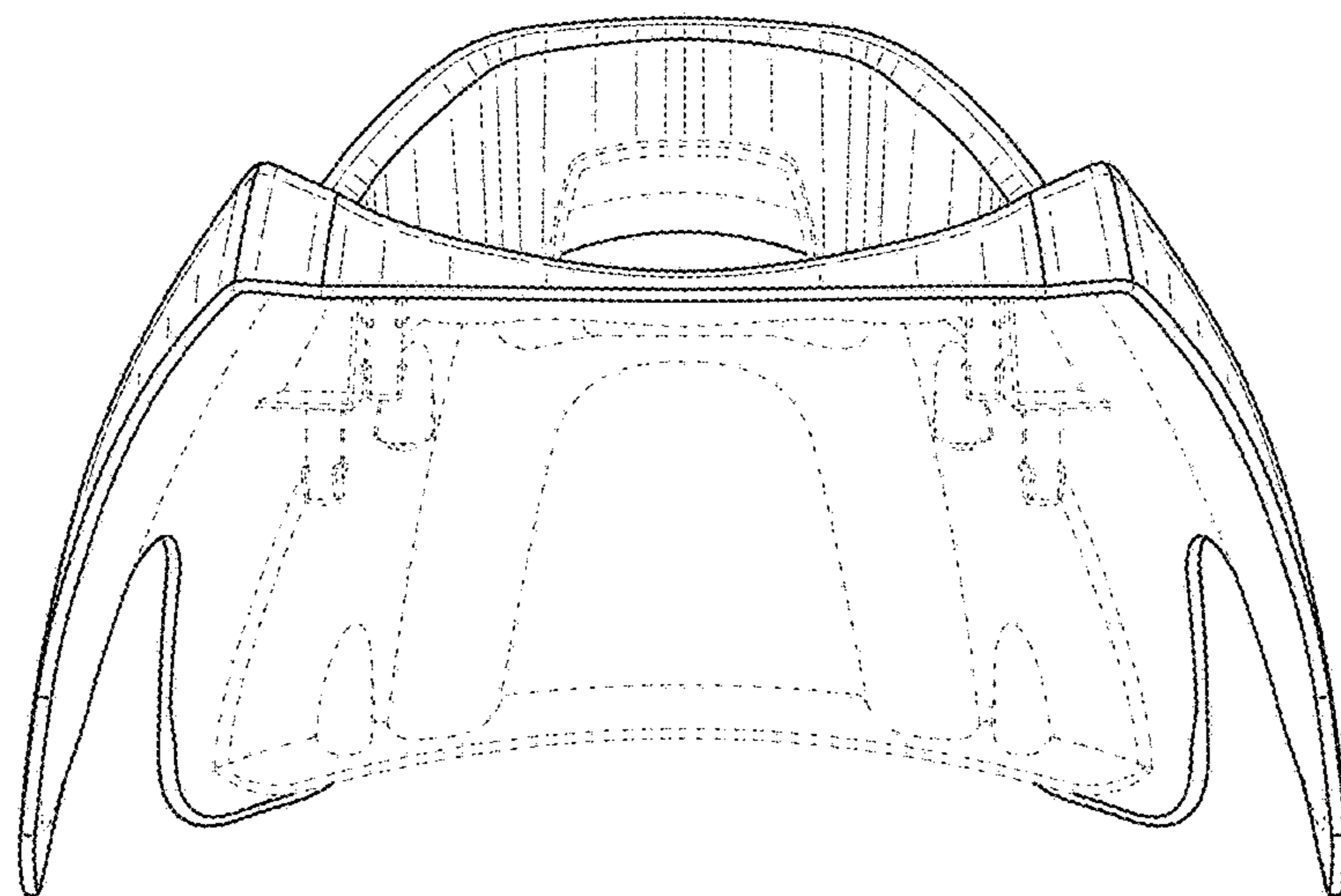


FIG. 8

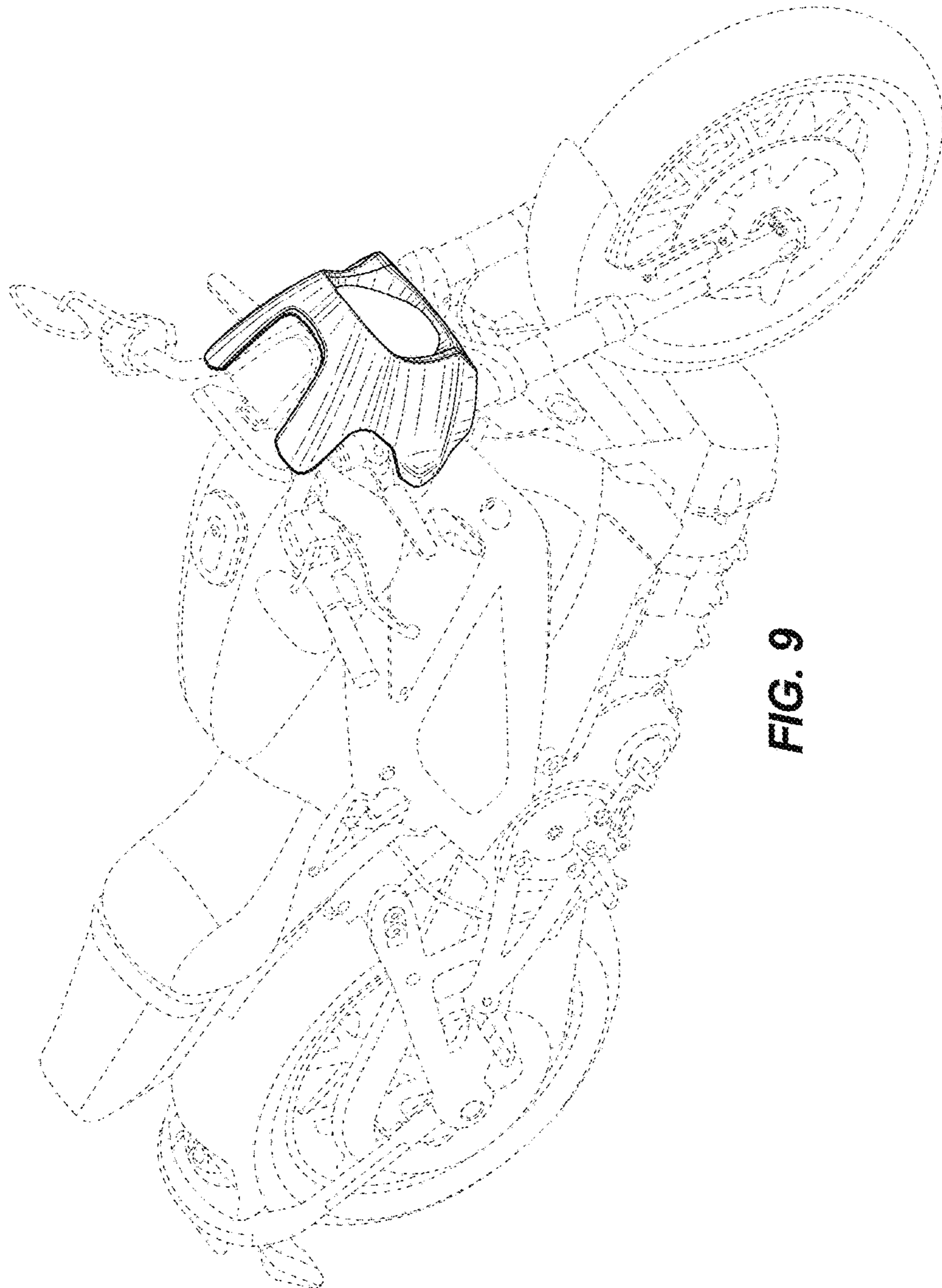


FIG. 9