

US00D862292S

(12) **United States Design Patent** (10) **Patent No.:** **US D862,292 S**  
**Kawakami** (45) **Date of Patent:** **\*\* Oct. 8, 2019**

(54) **ROTATION DETECTOR FOR A BICYCLE**

(71) Applicant: **Cateye Co., Ltd.**, Osaka (JP)

(72) Inventor: **Kenta Kawakami**, Osaka (JP)

(73) Assignee: **Cateye Co., Ltd.**, Osaka (JP)

(\*\*) Term: **15 Years**

(21) Appl. No.: **29/585,164**

(22) Filed: **Nov. 21, 2016**

(30) **Foreign Application Priority Data**

May 27, 2016 (JP) ..... 2016-011328

(51) **LOC (12) Cl.** ..... **12-11**

(52) **U.S. Cl.**  
USPC ..... **D12/114**

(58) **Field of Classification Search**  
USPC ..... D12/114, 178, 400; D10/97, 98  
CPC ..... B62J 2099/002; B62J 2099/004; B62J  
2099/0013; B62J 2099/0026; B62J  
2099/0033; B62M 6/50; B62M 6/45  
See application file for complete search history.

(56) **References Cited**

**U.S. PATENT DOCUMENTS**

D268,397 S \* 3/1983 Kato ..... D10/97  
D505,646 S \* 5/2005 Pacheco ..... D12/114  
D528,451 S \* 9/2006 Cunningham ..... D10/98  
D643,757 S \* 8/2011 Chang ..... D10/65  
D661,608 S \* 6/2012 Kimmich ..... D10/98  
D662,862 S \* 7/2012 Schutz ..... D12/114

D712,768 S \* 9/2014 Ueda ..... D10/97  
D716,168 S \* 10/2014 Au Yeung ..... D10/70  
D732,992 S \* 6/2015 Dasbach ..... D10/70  
D742,771 S \* 11/2015 Russo ..... D10/106.6  
D743,824 S \* 11/2015 Lumme ..... D10/70  
D749,004 S \* 2/2016 Sirius-El ..... D10/97  
D749,971 S \* 2/2016 Sirius-El ..... D10/97

**FOREIGN PATENT DOCUMENTS**

TW D127597 3/2009  
TW D168281 6/2015

\* cited by examiner

*Primary Examiner* — Michelle E. Wilson  
*Assistant Examiner* — Clese Moore, Jr.  
(74) *Attorney, Agent, or Firm* — Saul Ewing Arnstein & Lehr LLP

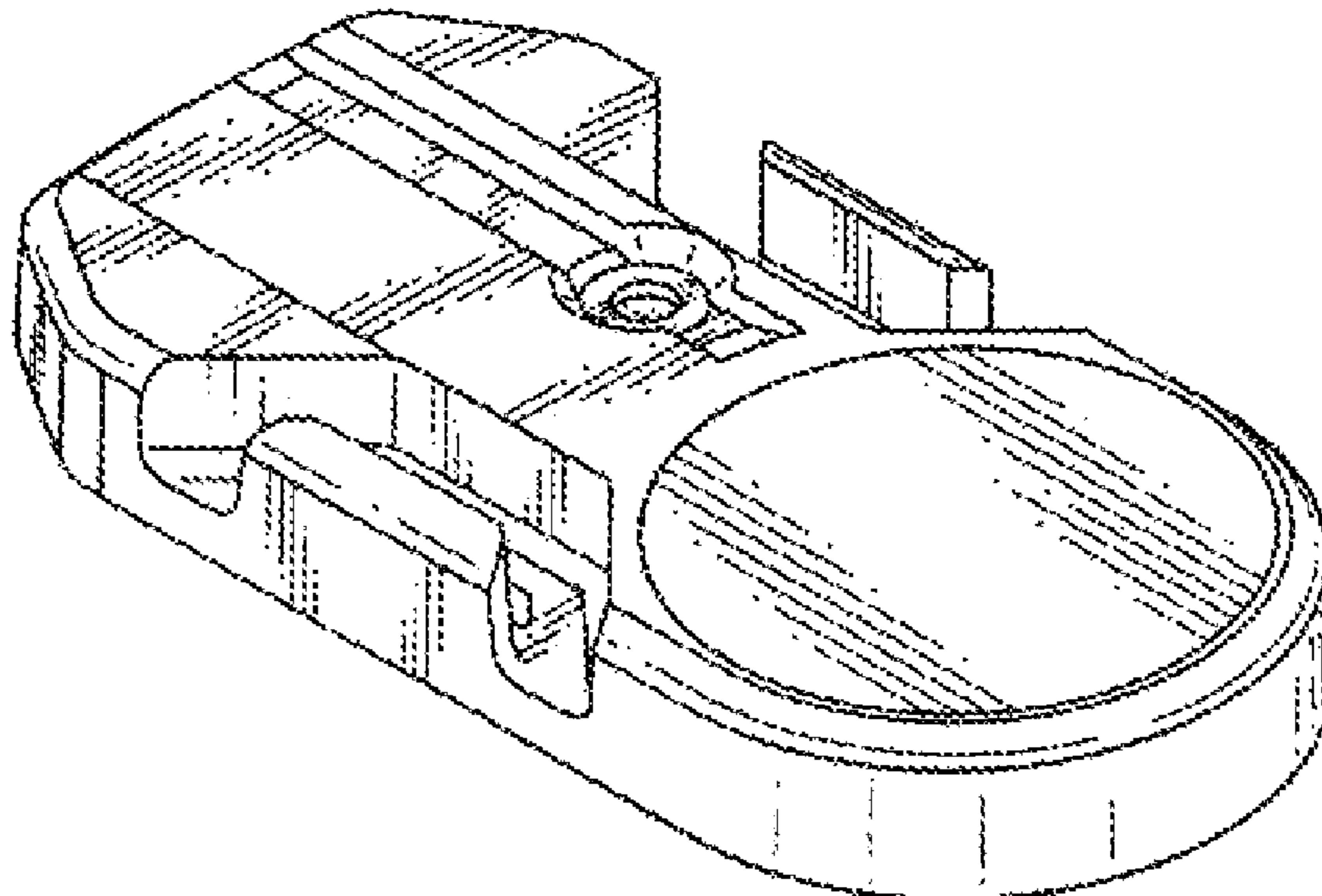
(57) **CLAIM**

The ornamental design for a rotation detector for a bicycle, as shown.

**DESCRIPTION**

FIG. 1 is a perspective view of a rotation detector for a bicycle showing my new design;  
FIG. 2 is a front view thereof;  
FIG. 3 is a rear view thereof;  
FIG. 4 is a top view thereof;  
FIG. 5 is a bottom view thereof;  
FIG. 6 is a right side view thereof; and,  
FIG. 7 is a left side view thereof.

**1 Claim, 4 Drawing Sheets**



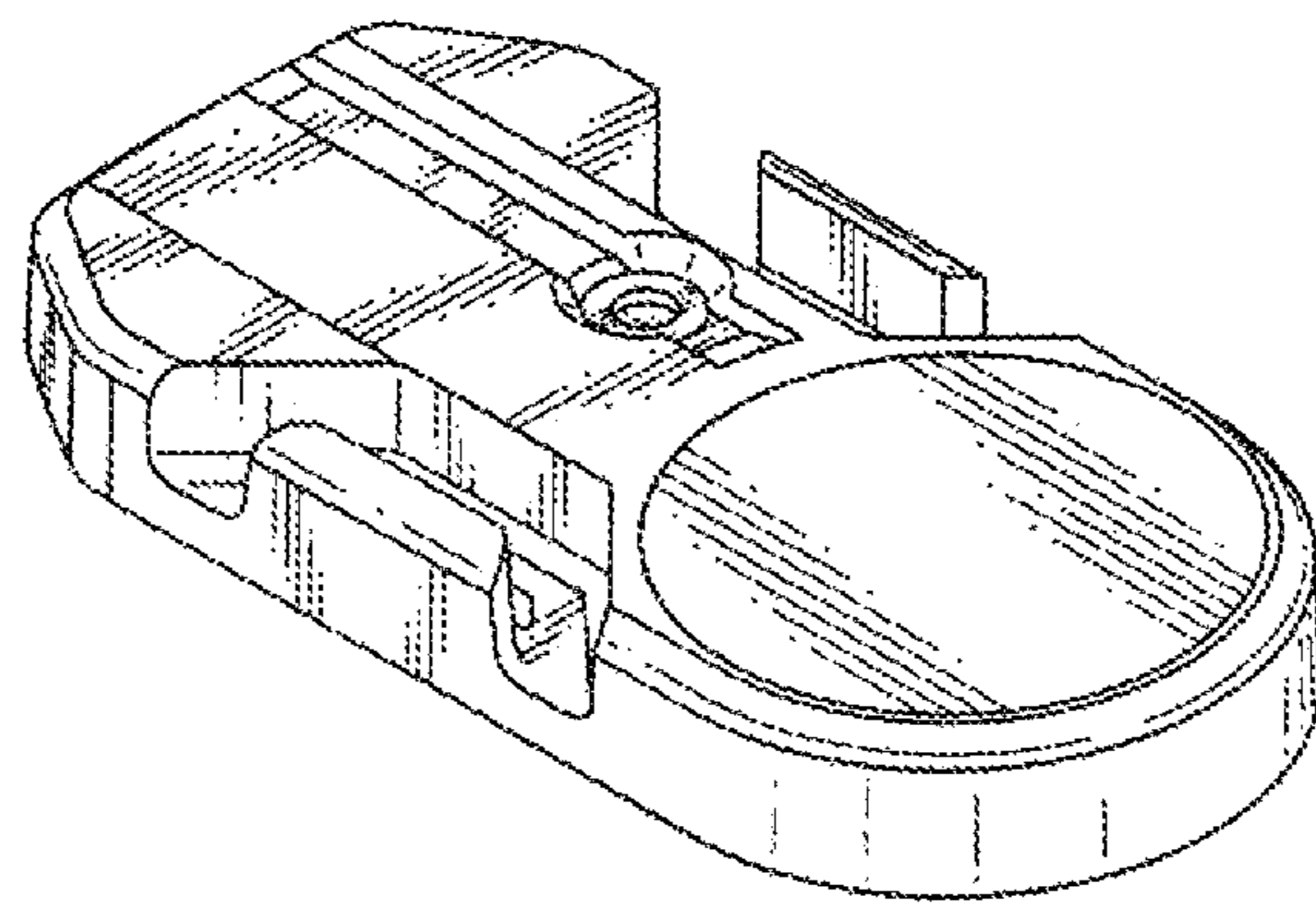


Fig. 1

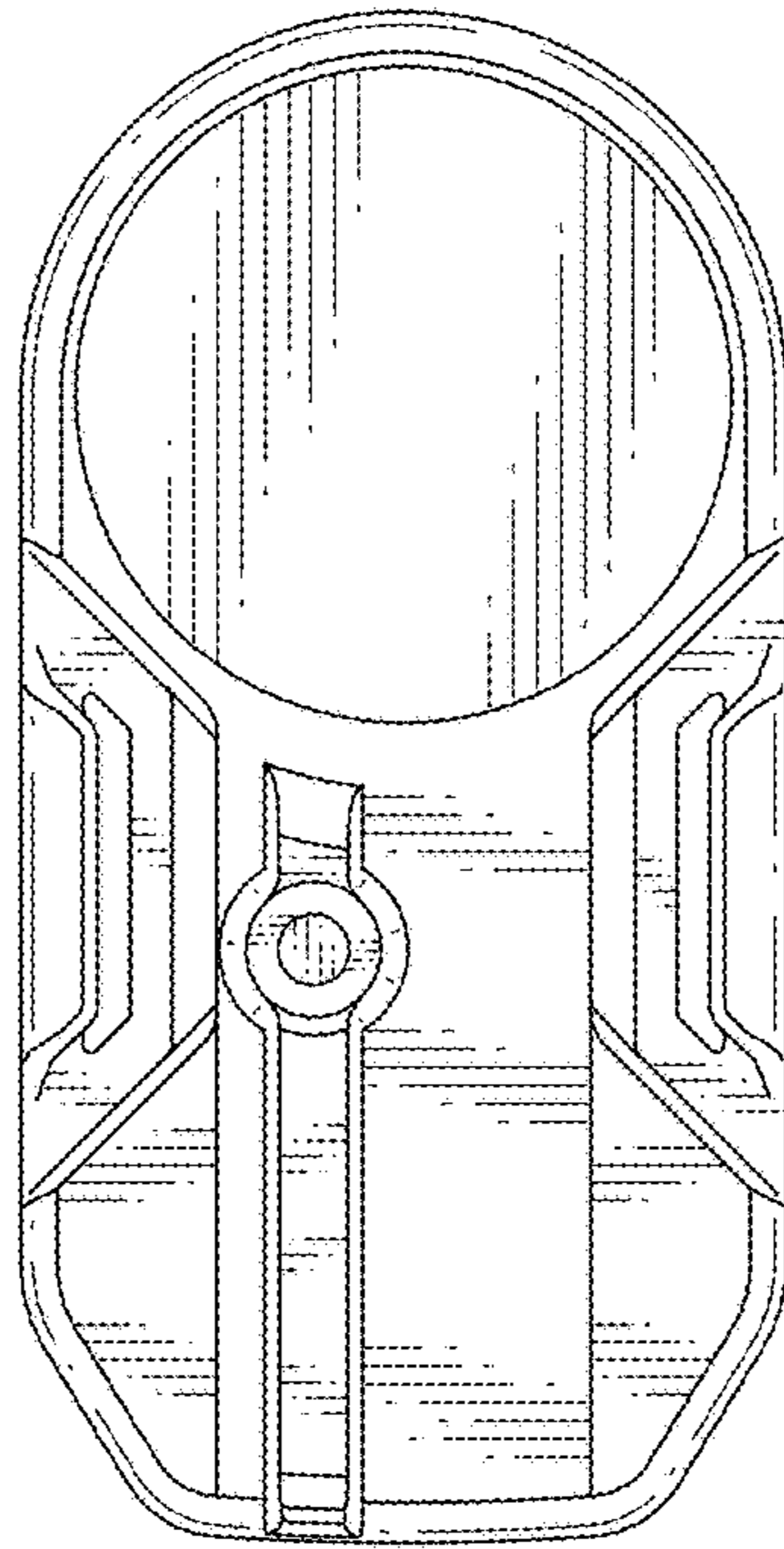


Fig. 2

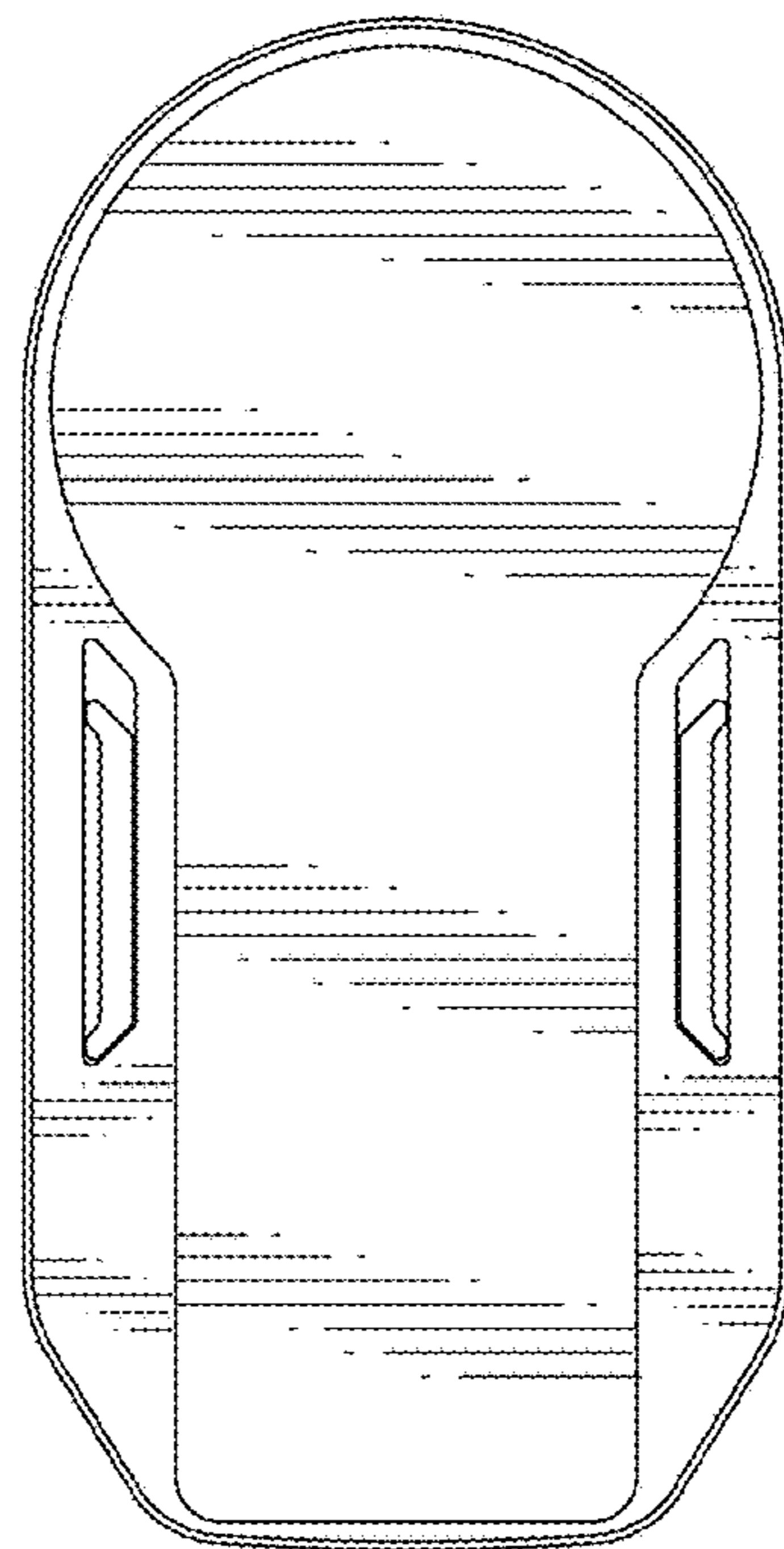


Fig. 3



Fig. 4

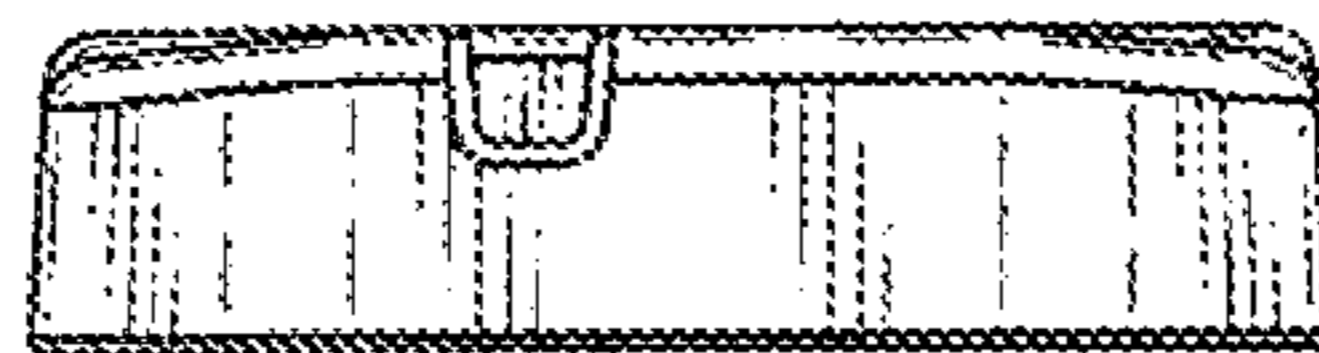


Fig. 5

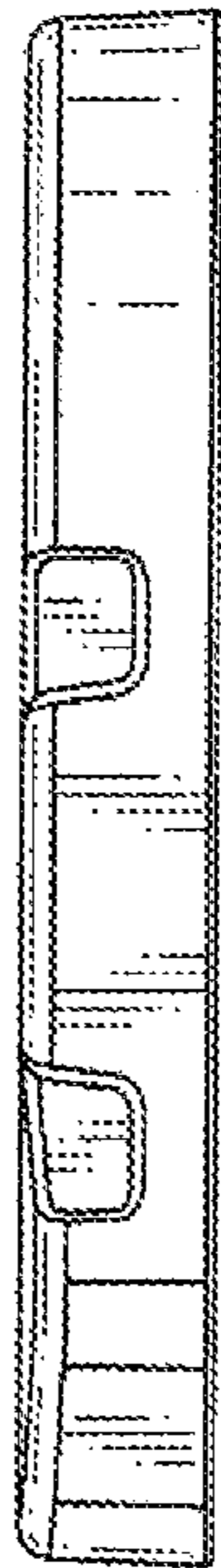


Fig. 6

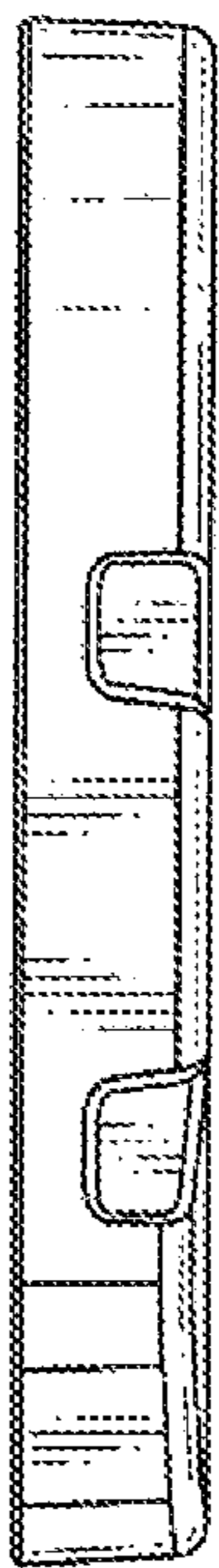


Fig. 7