

US00D862291S

(12) **United States Design Patent** (10) **Patent No.:** **US D862,291 S**  
**Norfleet et al.** (45) **Date of Patent:** **\*\* Oct. 8, 2019**

(54) **INSERT FOR A TAILGATE LIFT-ASSIST DEVICE**

(71) Applicant: **Backsaver International, Inc.**, Somerset, KY (US)

(72) Inventors: **Ralph Norfleet**, Somerset, KY (US); **Jason Norfleet**, Somerset, KY (US)

(73) Assignee: **BACKSAVER INTERNATIONAL, INC.**, Somerset, KY (US)

(\*\*) Term: **15 Years**

(21) Appl. No.: **29/579,915**

(22) Filed: **Oct. 4, 2016**

(51) **LOC (12) Cl.** ..... **12-10**

(52) **U.S. Cl.**  
USPC ..... **D12/106**

(58) **Field of Classification Search**  
USPC ..... D12/159, 160, 161, 162, 106; D8/323, D8/399, 349, 356, 360, 327  
CPC ..... B65H 57/14; B65H 57/04; B66D 3/046; B66D 1/36; G01B 3/11; B62D 33/03; E05F 15/643; B63B 21/10  
See application file for complete search history.

(56) **References Cited**

U.S. PATENT DOCUMENTS

2,919,110 A \* 12/1959 Magee ..... B63B 21/10  
114/101  
2,946,559 A \* 7/1960 Pickett ..... B65H 57/14  
254/134.3 PA  
D245,669 S \* 9/1977 Woods ..... D8/360  
D404,347 S \* 1/1999 Dillon ..... D12/162  
D524,696 S \* 7/2006 Manchik ..... D12/106  
D543,491 S \* 5/2007 Weekes ..... D12/106  
7,533,870 B2 \* 5/2009 Camrass ..... B66D 3/046  
254/402  
D677,608 S \* 3/2013 Kientzy ..... D12/162  
D757,525 S \* 5/2016 Glasband ..... D8/360

9,748,746 B1 \* 8/2017 Jordan ..... H02G 1/08  
2005/0258302 A1 \* 11/2005 McDaniel ..... B66D 1/36  
242/615.2  
2008/0072443 A1 \* 3/2008 Powell ..... G01B 3/11  
33/503  
2008/0169374 A1 \* 7/2008 Kaplan ..... B65H 57/04  
242/615.4  
2017/0106921 A1 \* 4/2017 Norfleet ..... B62D 33/03  
2018/0245392 A1 \* 8/2018 Cousin ..... E05F 15/643

\* cited by examiner

*Primary Examiner* — Philip S Hyder

*Assistant Examiner* — Jerry Shiuan-Hua Hsu

(74) *Attorney, Agent, or Firm* — King & Schickli, PLLC

(57) **CLAIM**

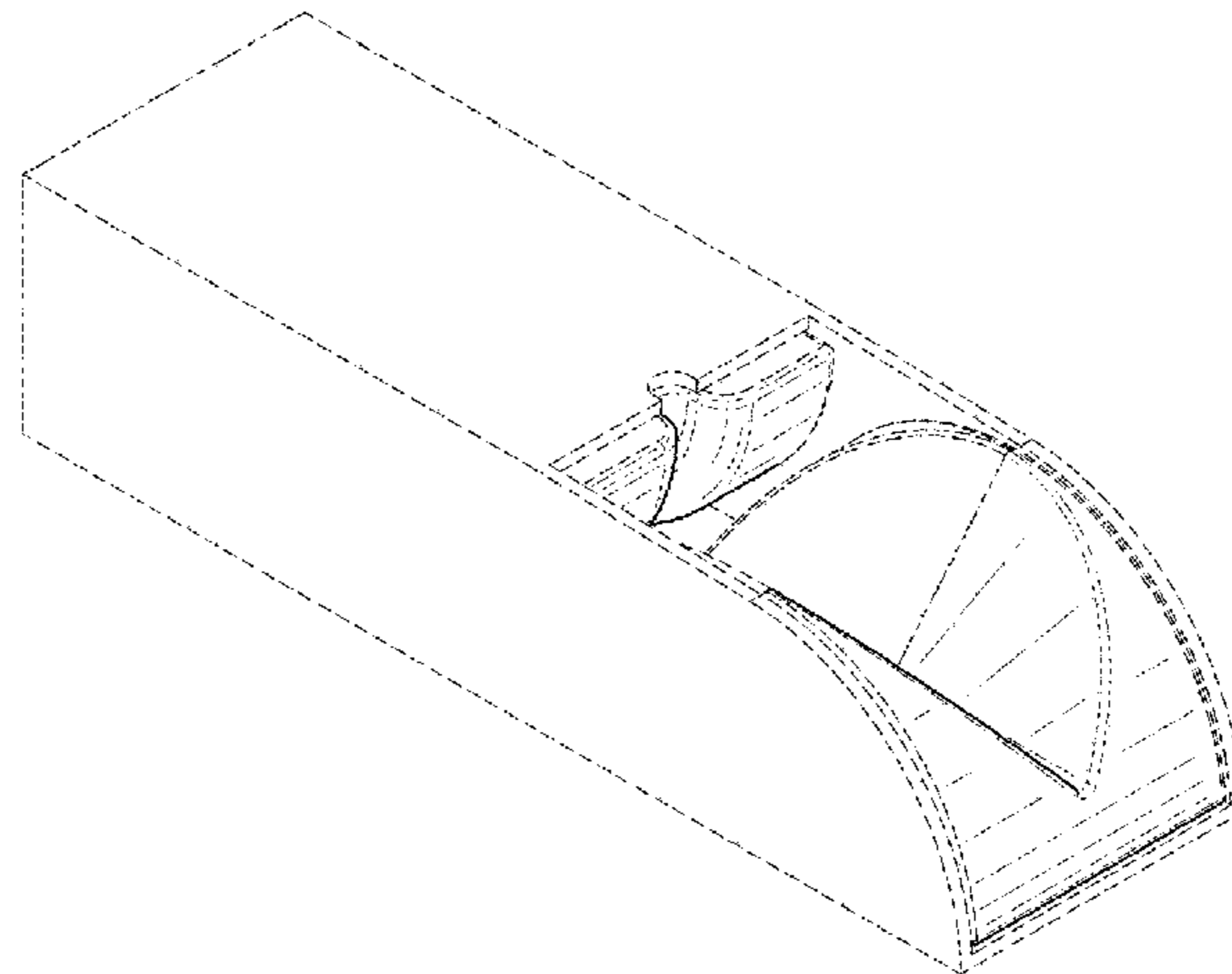
The ornamental design for an insert for a tailgate lift-assist device, as shown and described.

**DESCRIPTION**

FIG. 1 is top perspective view of the insert installed in a tailgate lift-assist device showing my new design in a state of use;  
 FIG. 2 is a top plan view thereof;  
 FIG. 3 is a right side view thereof;  
 FIG. 4 is a perspective view of one part of the insert for a tailgate lift-assist device;  
 FIG. 5 is a top plan view thereof;  
 FIG. 6 is a right side view thereof;  
 FIG. 7 is a perspective view of another part of the insert for a tailgate lift-assist device in an inverted position;  
 FIG. 8 is a top plan view thereof; and,  
 FIG. 9 is a right side view thereof.

The dash dot dot broken lines illustrate boundaries of the claimed design and form no part thereof. The dashed broken lines illustrating a tailgate lift-assist device in FIG. 1 illustrate environmental structure that forms no part of the claimed design. The remaining dashed broken lines illustrate portions of the insert for a tailgate lift-assist device that form no part of the claimed design.

**1 Claim, 6 Drawing Sheets**



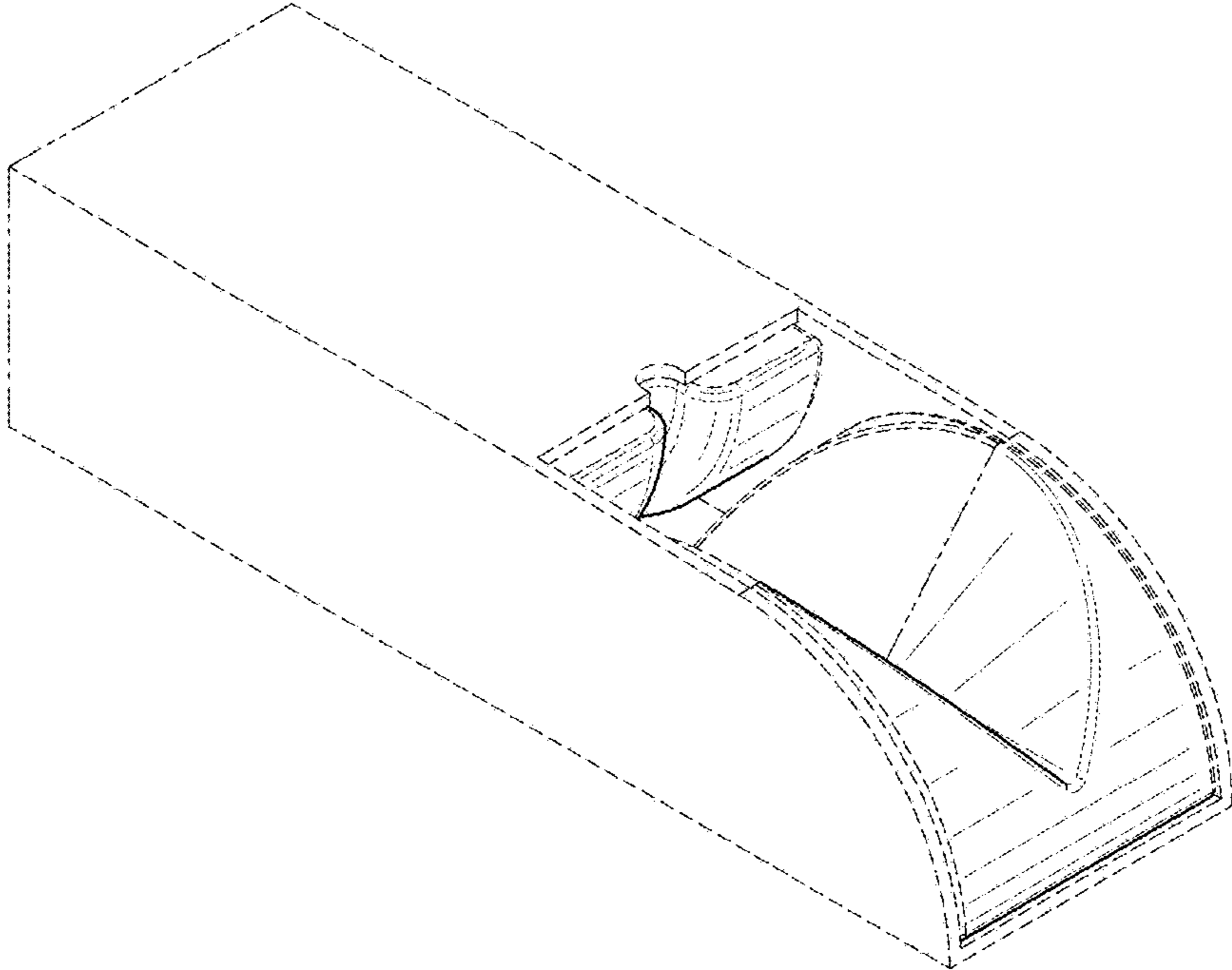


FIG. 1

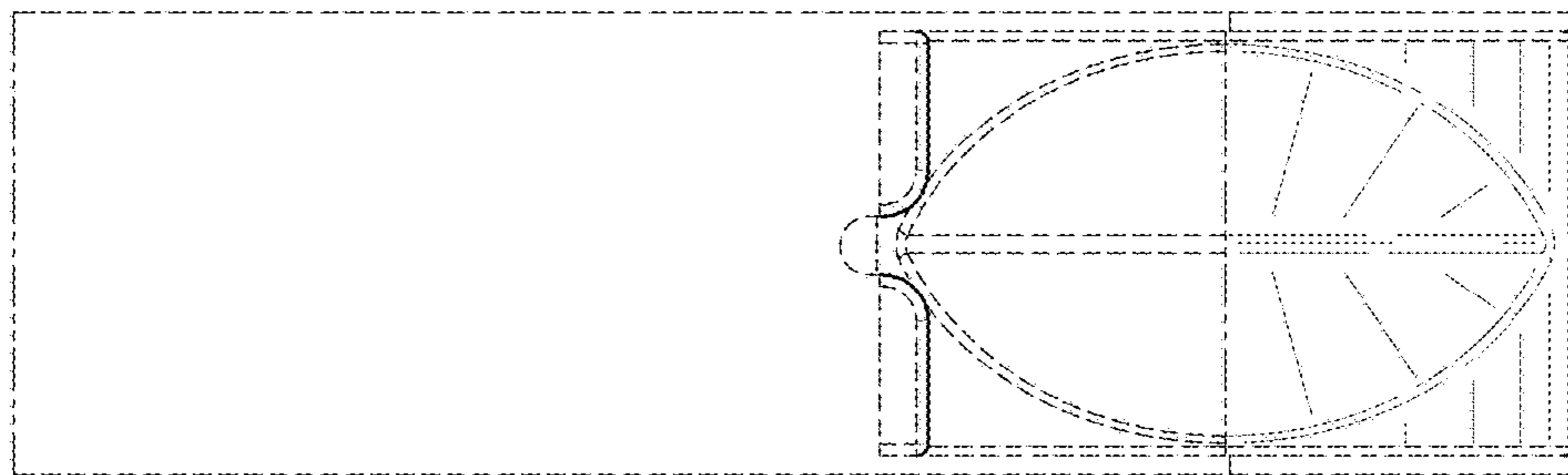


FIG. 2

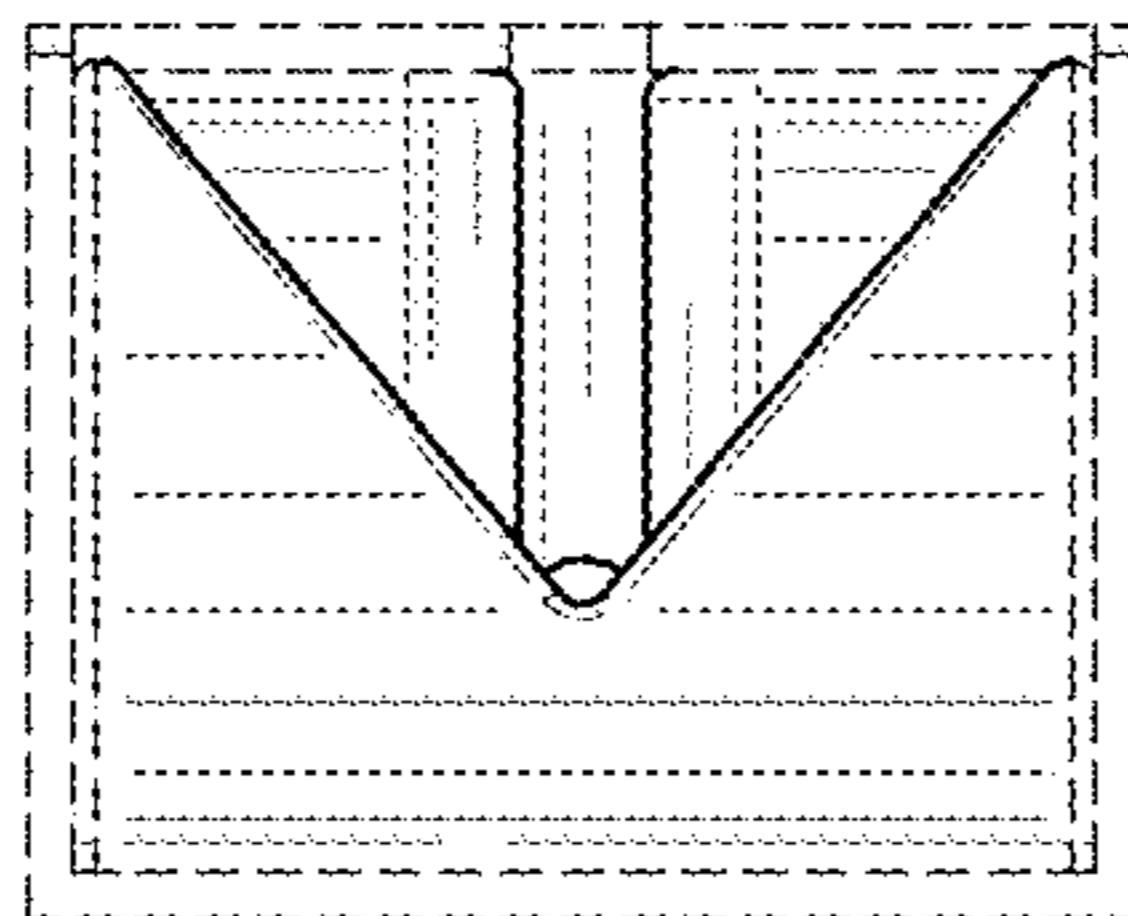


FIG. 3

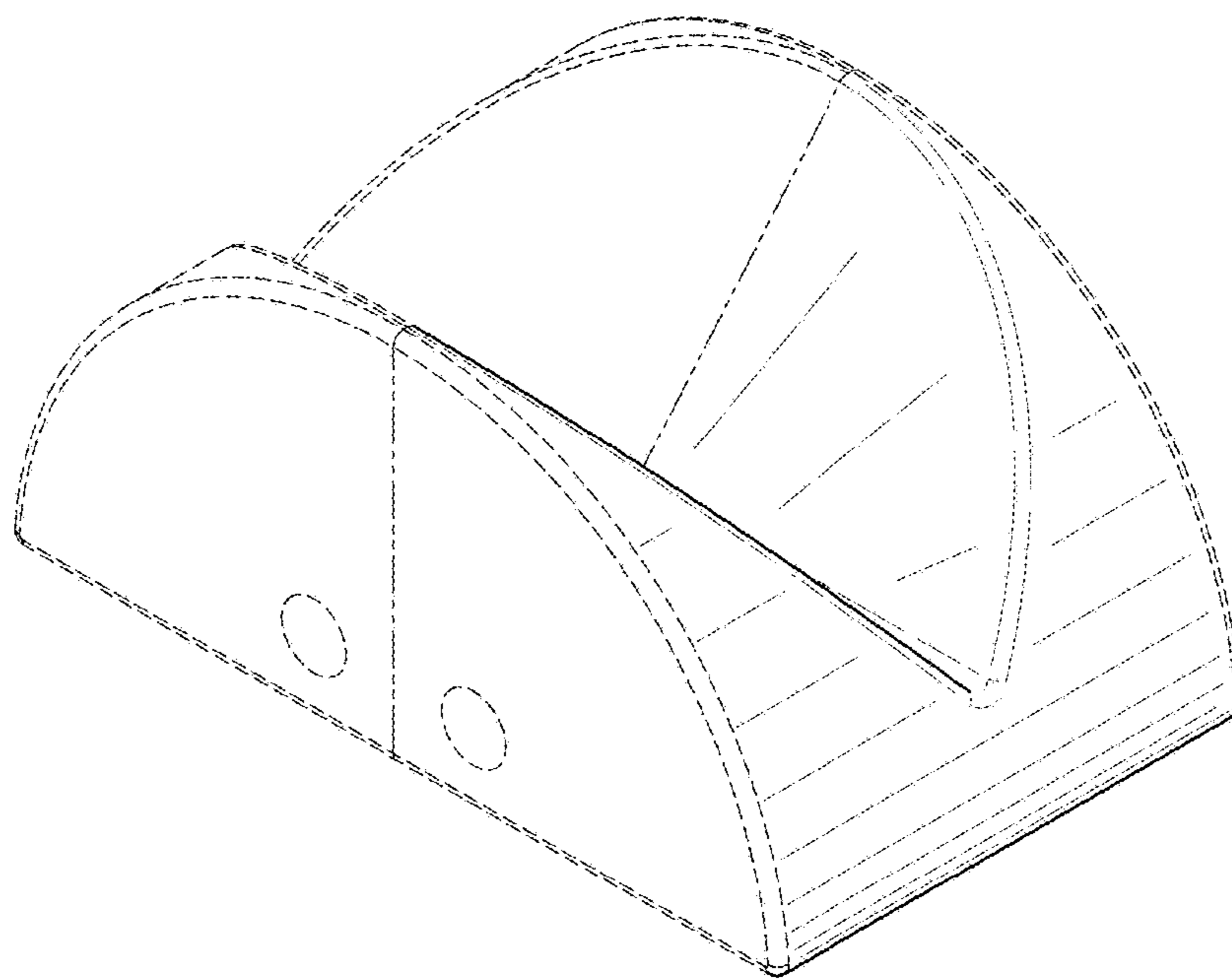


FIG. 4

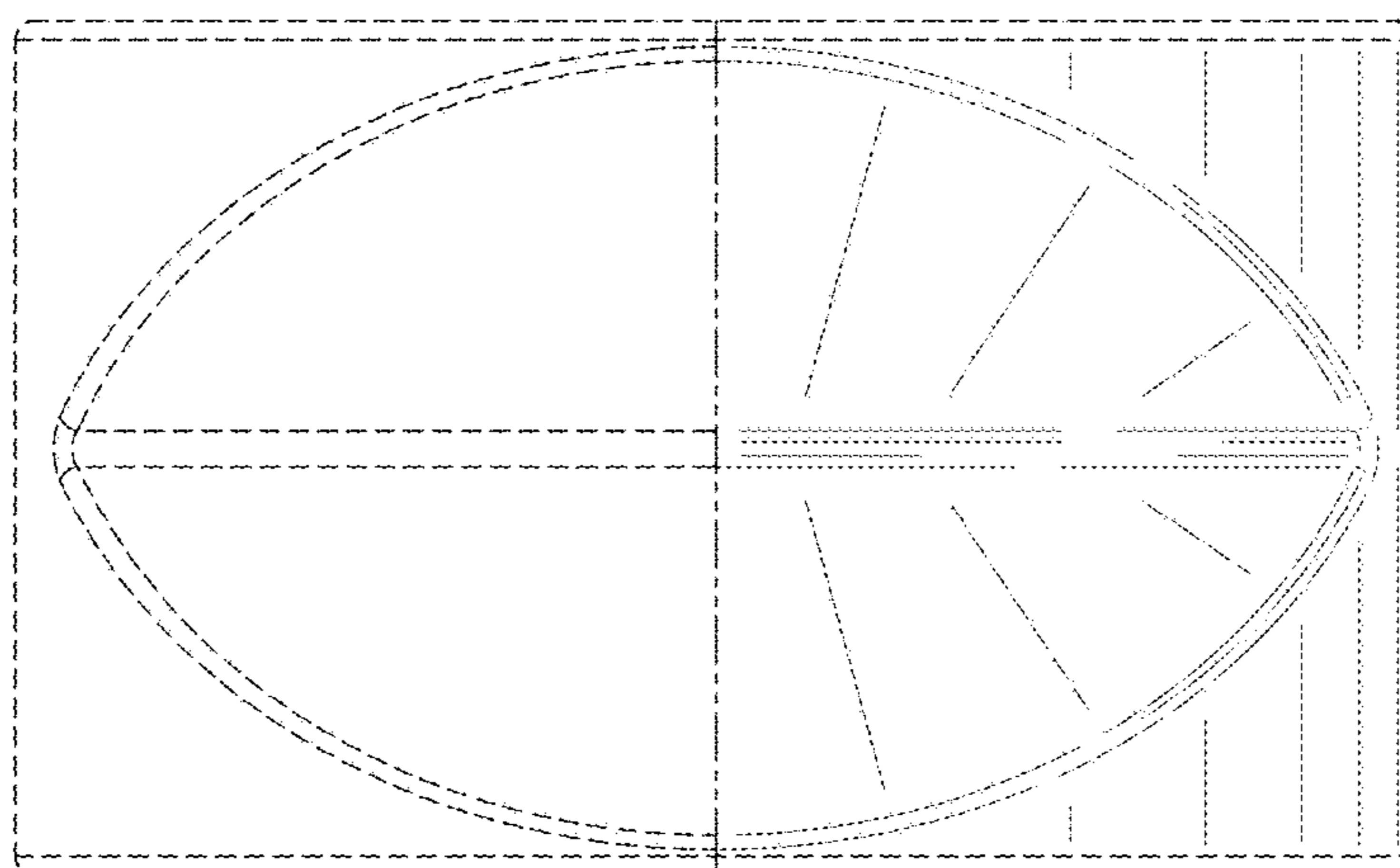


FIG. 5

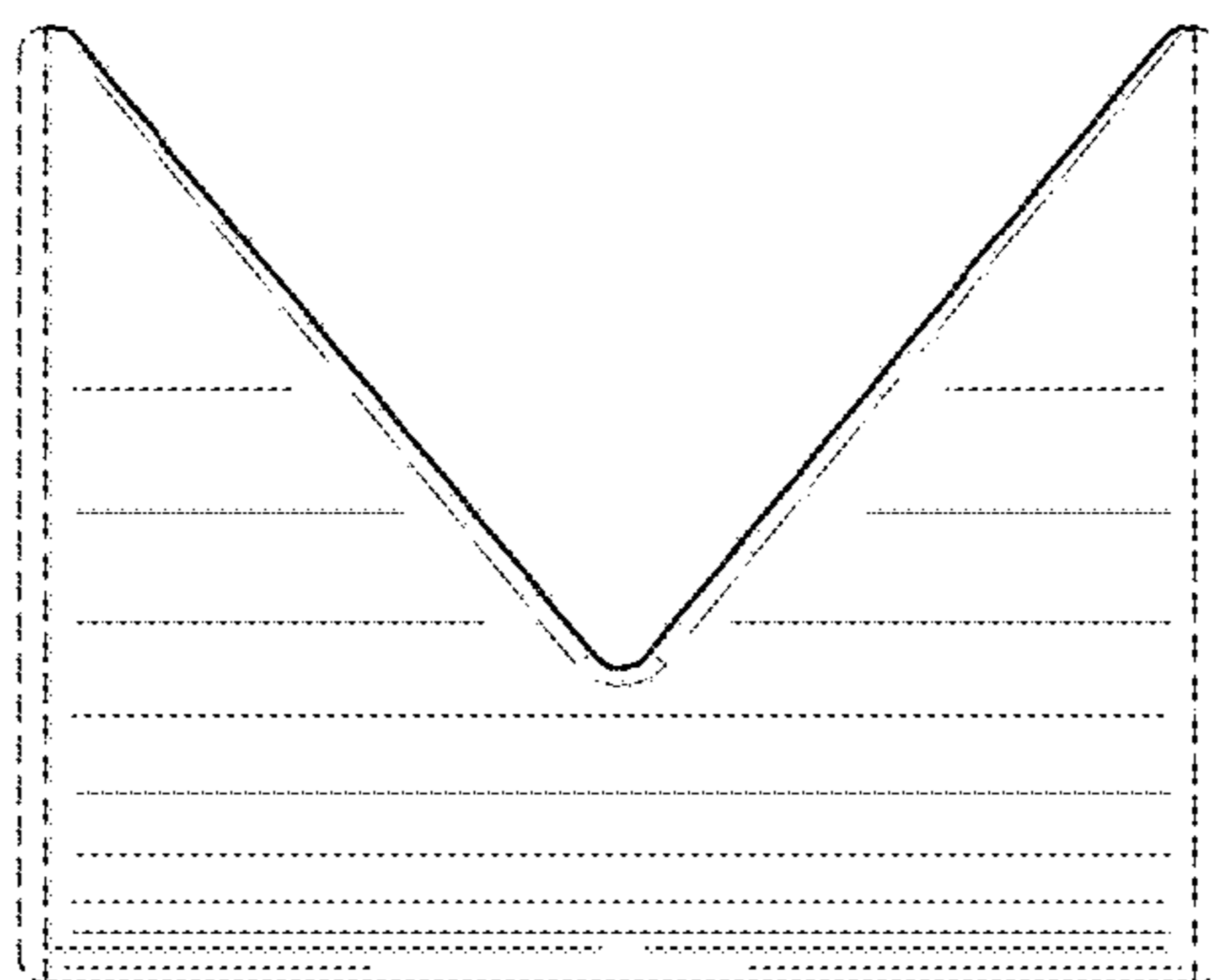


FIG. 6

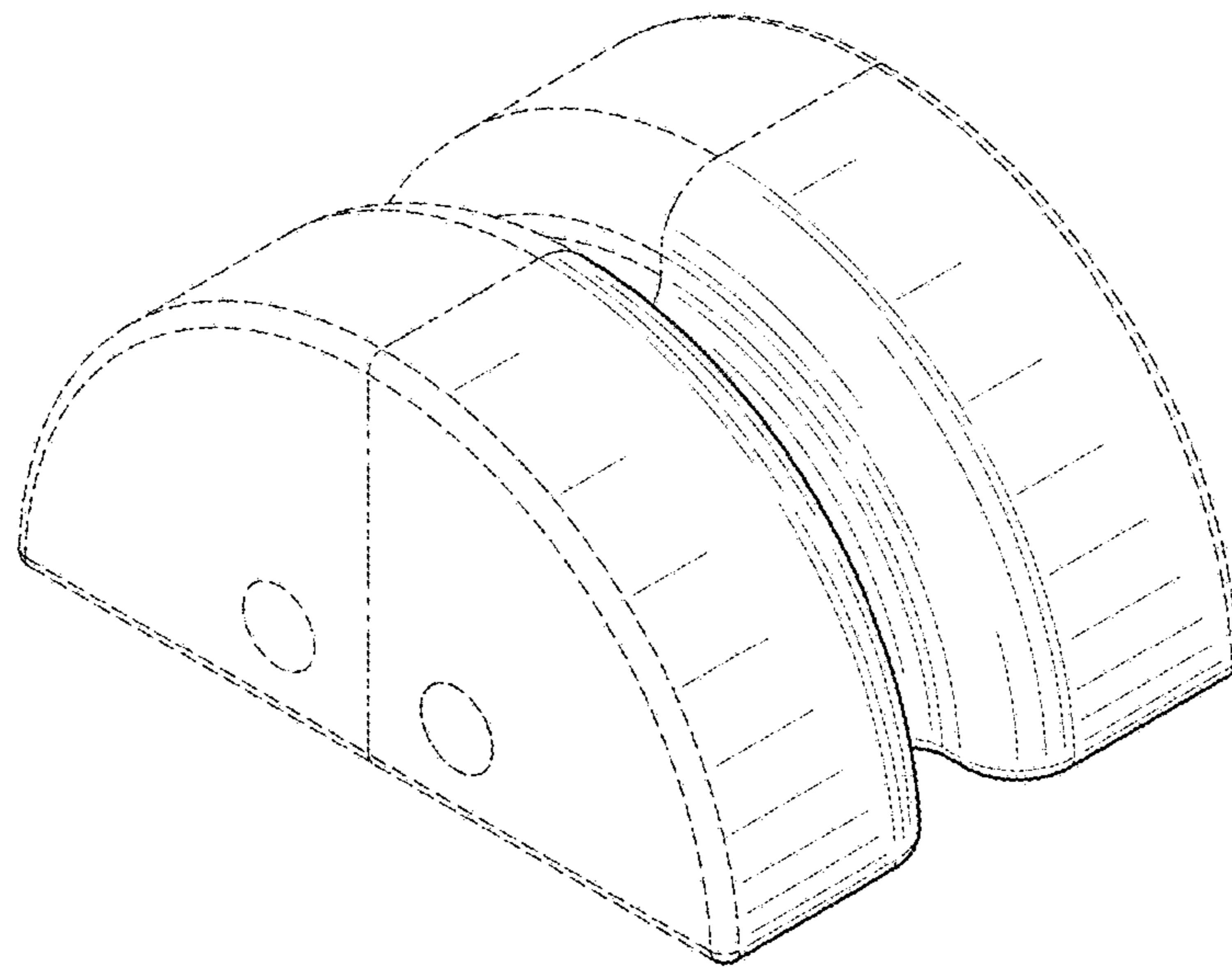


FIG. 7

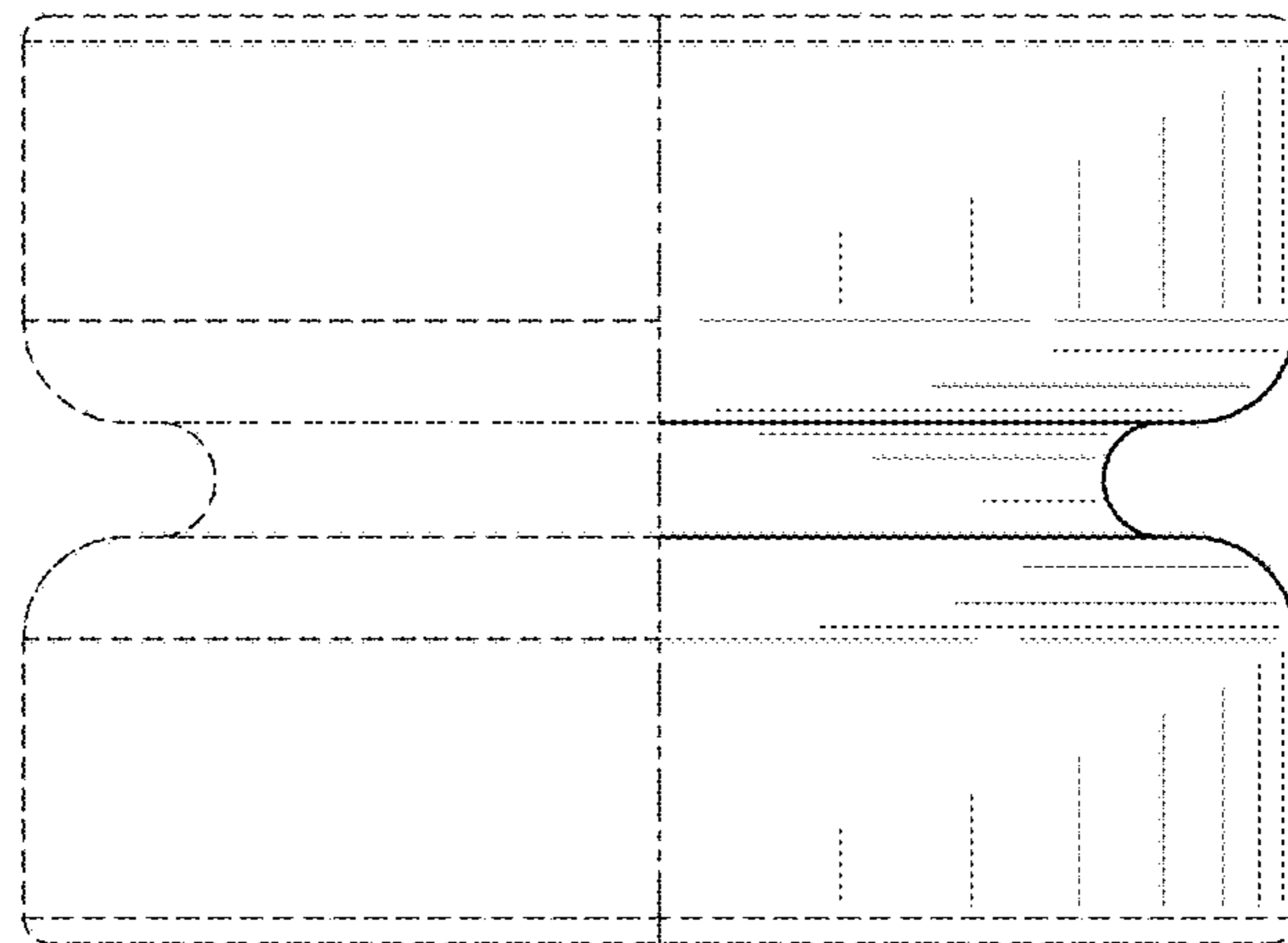


FIG. 8

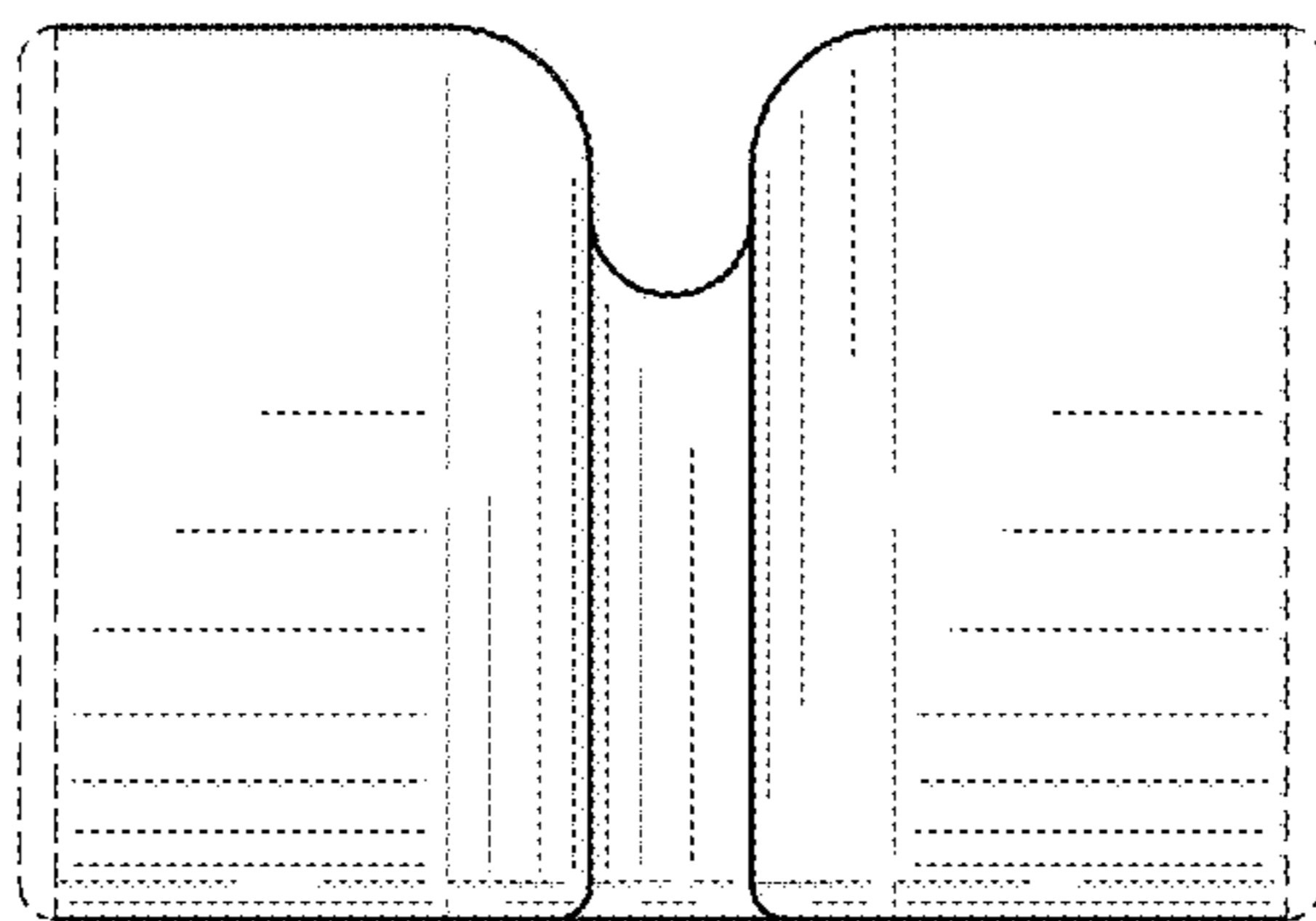


FIG. 9