



US00D862290S

(12) **United States Design Patent** (10) **Patent No.:** **US D862,290 S**
You (45) **Date of Patent:** **** Oct. 8, 2019**

(54) **PANEL FRAME FOR FREIGHT CONTAINER**

(71) Applicant: **Seong Deok You**, Daejeon (KR)

(72) Inventor: **Seong Deok You**, Daejeon (KR)

(**) Term: **15 Years**

(21) Appl. No.: **35/505,508**

(22) Filed: **Feb. 14, 2018**

(80) **Hague Agreement Data**

Int. Filing Date: **Feb. 14, 2018**

Int. Reg. No.: **DM/100300**

Int. Reg. Date: **Feb. 14, 2018**

Int. Reg. Pub. Date: **Aug. 17, 2018**

(51) **LOC (12) Cl.** **12-08**

(52) **U.S. Cl.**
USPC **D12/97**

(58) **Field of Classification Search**
USPC D12/97, 101-104; D9/414, 430-434;
D23/386, 393; D25/119, 164
CPC ... B65D 88/022; B65D 88/121; B65D 90/027
See application file for complete search history.

(56) **References Cited**

U.S. PATENT DOCUMENTS

D398,264 S * 9/1998 Fetz D12/169
6,016,664 A * 1/2000 Larsson B65D 88/745
62/406

6,109,469 A * 8/2000 Clive-Smith B65D 88/022
220/1.5
D455,371 S * 4/2002 Brassington D12/97
D717,715 S * 11/2014 Leach D12/400
D734,029 S * 7/2015 Lee, II D3/272
9,080,326 B2 * 7/2015 Johnson B60P 3/341
D747,588 S * 1/2016 Sheesley D34/28
9,682,816 B2 * 6/2017 Reynard B65D 90/0013
D792,576 S * 7/2017 Mayes D23/393
10,046,905 B2 * 8/2018 Downey B65D 88/022
10,053,862 B2 * 8/2018 Baik E04H 1/005
10,233,015 B2 * 3/2019 Arnesen B65D 90/08

* cited by examiner

Primary Examiner — Darlington Ly

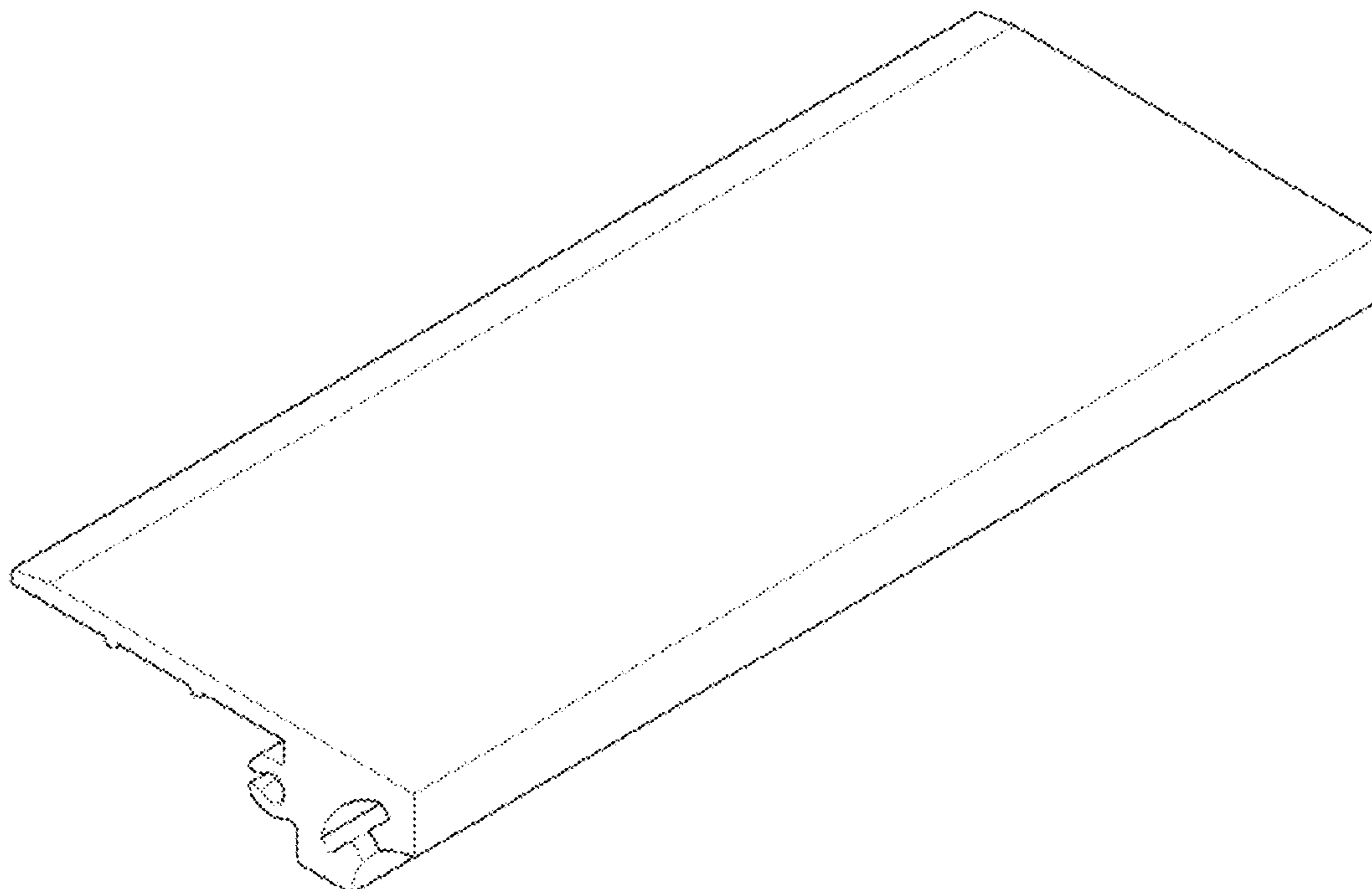
(57) **CLAIM**

The ornamental design for a panel frame for freight container, as shown and described.

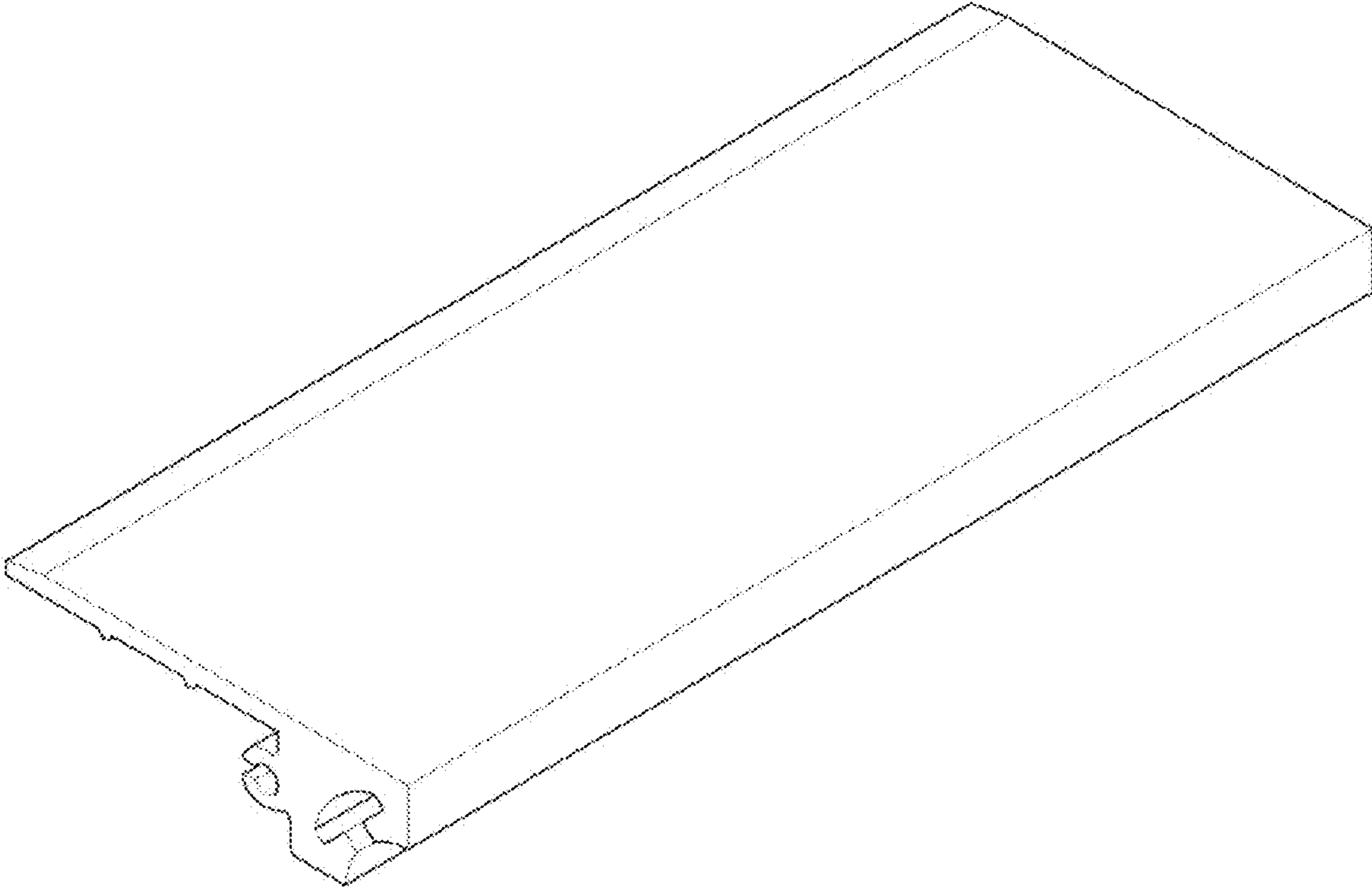
DESCRIPTION

1. Panel frame for freight container
1.1 is a perspective view of a panel frame for freight container showing my new design;
1.2 is a front elevation view thereof;
1.3 is a left side elevation view thereof;
1.4 is a right side elevation view thereof;
1.5 is a top plan view thereof; and,
1.6 is a bottom plan view thereof.

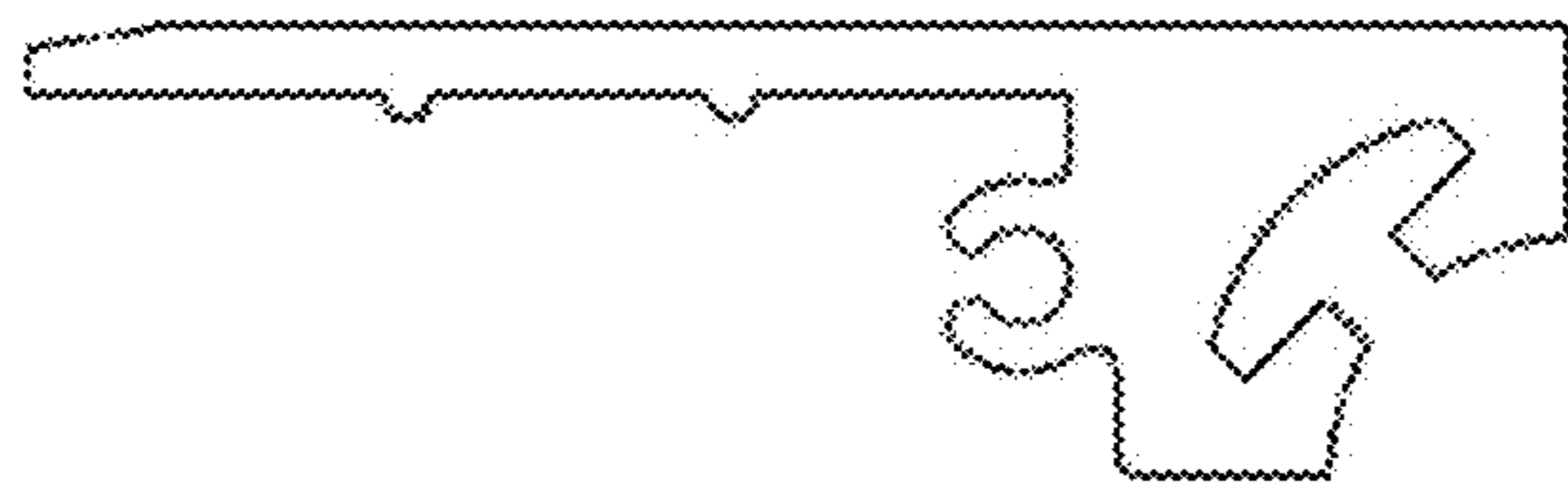
1 Claim, 6 Drawing Sheets



1.1

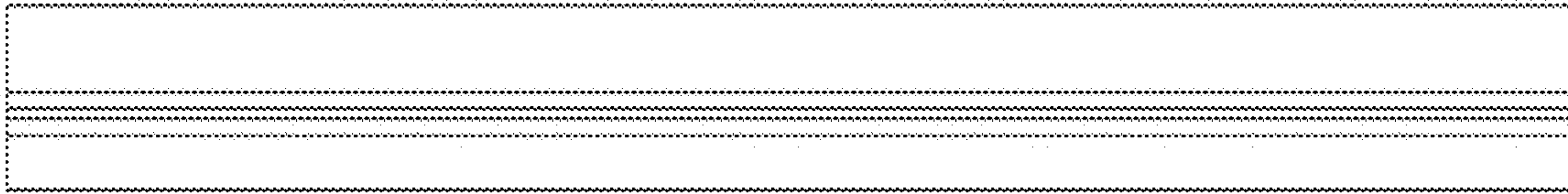


1.2

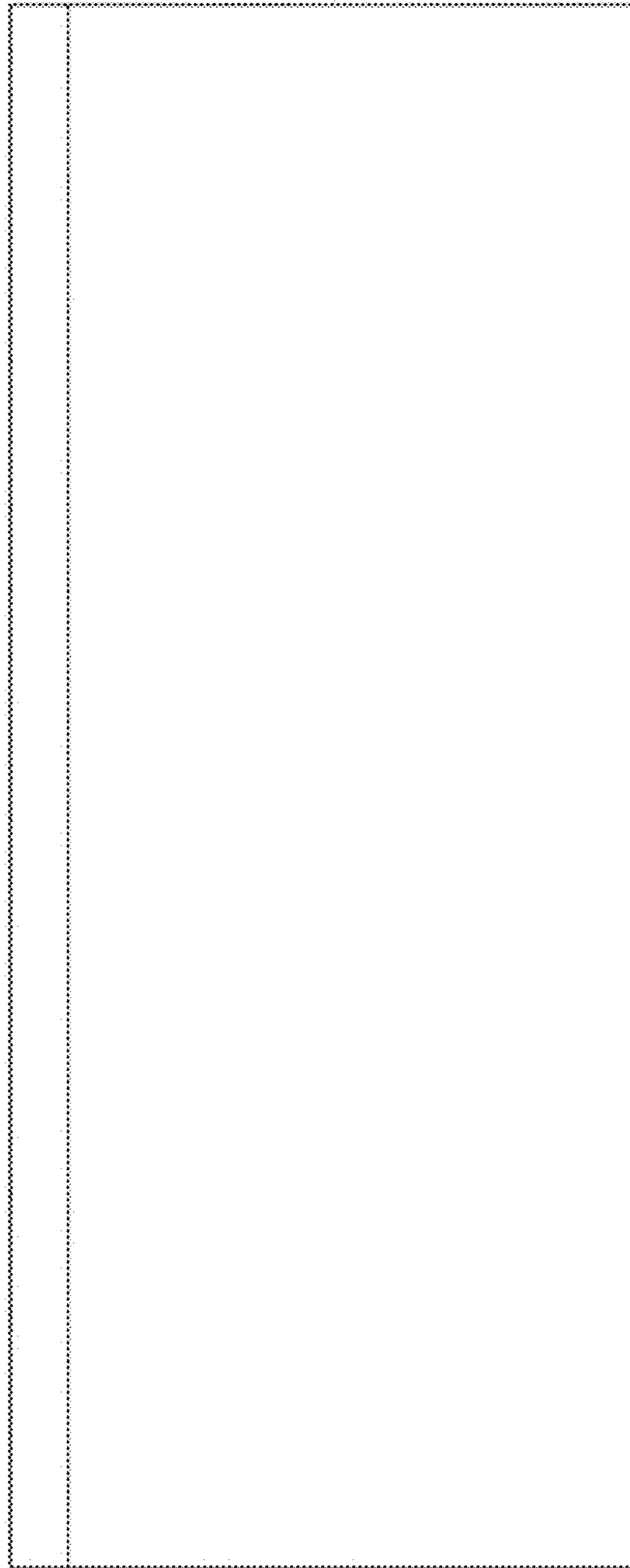


1.3

1.4



1.5



1.6

