

US00D862287S

(12) **United States Design Patent**  
**Badstuebner et al.**

(10) **Patent No.:** **US D862,287 S**

(45) **Date of Patent:** **\*\* Oct. 8, 2019**

(54) **VEHICLE, TOY, AND/OR REPLICAS THEREOF**

(71) Applicant: **Daimler AG**, Stuttgart (DE)

(72) Inventors: **Achim-Dietrich Badstuebner**, Munich (DE); **Robert Lesnik**, Leonberg (DE); **Thomas Saelzle**, Kornwestheim (DE)

(73) Assignee: **Daimler AG**, Stuttgart (DE)

(\*\*) Term: **15 Years**

(21) Appl. No.: **29/637,940**

(22) Filed: **Feb. 23, 2018**

(30) **Foreign Application Priority Data**

Aug. 24, 2017 (WO) ..... DM/097618

(51) **LOC (12) Cl.** ..... **12-08**

(52) **U.S. Cl.**  
USPC ..... **D12/91**

(58) **Field of Classification Search**  
USPC .... D12/86, 90–92; D21/424, 433, 434, 533;  
296/181.1–181.5, 183.1  
CPC ..... B62D 25/00; B62D 25/06; B62D 33/00;  
B62D 35/00

See application file for complete search history.

(56) **References Cited**

**U.S. PATENT DOCUMENTS**

D615,464 S \* 5/2010 Frei ..... D12/164  
D617,682 S \* 6/2010 Frei ..... D12/91

D643,348 S \* 8/2011 Burki ..... D12/164  
D670,606 S \* 11/2012 Frenzel ..... D12/91  
D670,621 S \* 11/2012 Frenzel ..... D12/164  
D671,033 S \* 11/2012 Fetherston ..... D12/91  
D699,163 S \* 2/2014 Janssen ..... D12/164  
D704,602 S \* 5/2014 Frenzel ..... D12/164  
D744,376 S \* 12/2015 Futschik ..... D12/91  
D751,006 S \* 3/2016 Futschik ..... D12/164  
D751,463 S \* 3/2016 Futschik et al.  
D751,464 S \* 3/2016 Frei ..... D12/91  
D751,471 S \* 3/2016 Futschik ..... D12/164  
D827,497 S \* 9/2018 Frei ..... D12/91  
D837,692 S \* 1/2019 Badstuebner ..... D12/91

\* cited by examiner

*Primary Examiner* — Melody N Brown

(74) *Attorney, Agent, or Firm* — Crowell & Moring LLP

(57) **CLAIM**

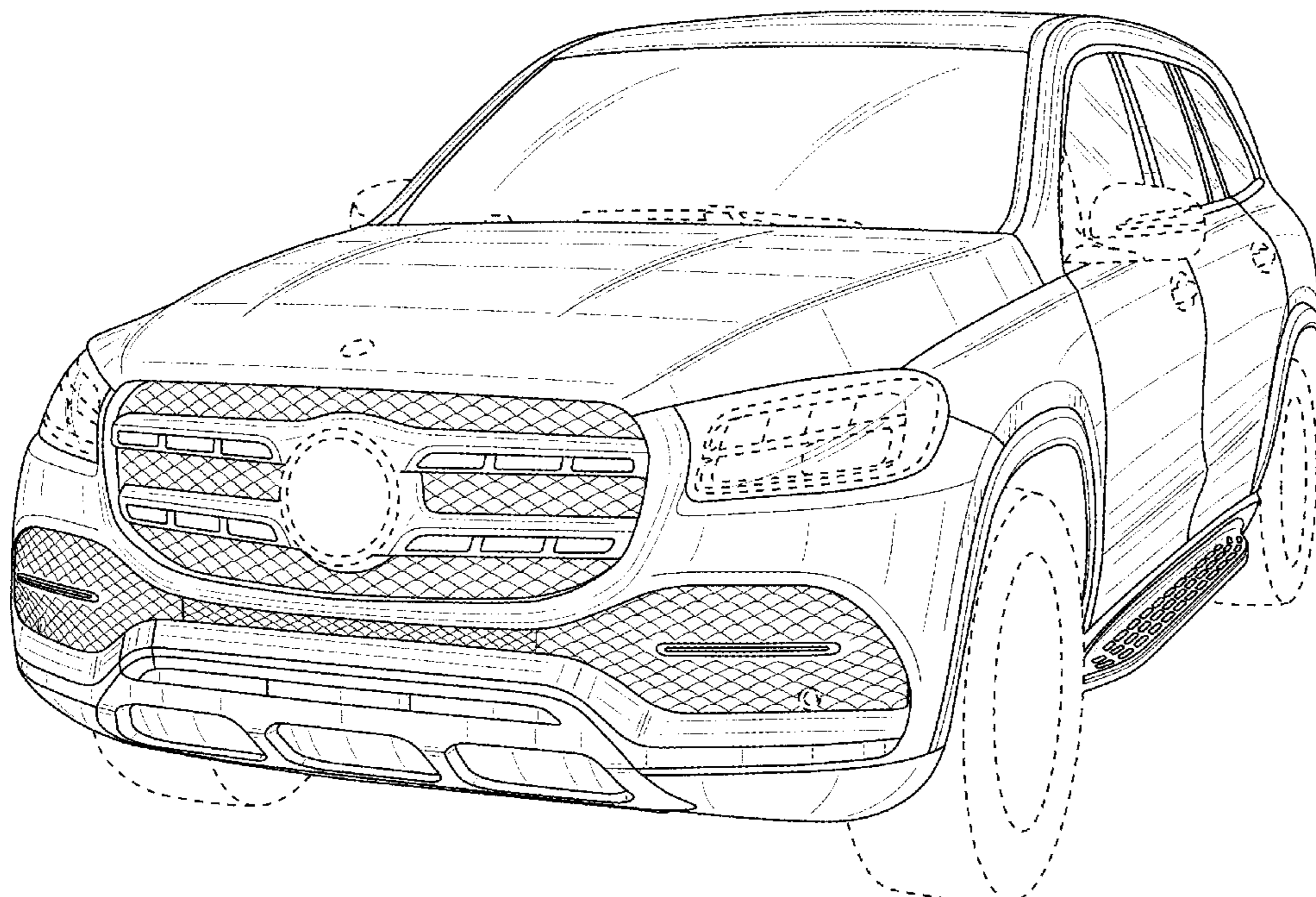
The ornamental design for a vehicle, toy, and/or replicas thereof, as shown and described.

**DESCRIPTION**

FIG. 1 is a left, front perspective view of a vehicle, toy, and/or replicas thereof according to the design;  
FIG. 2 is a left, rear perspective view thereof;  
FIG. 3 is a front view thereof;  
FIG. 4 is a rear view thereof;  
FIG. 5 is a right side view thereof;  
FIG. 6 is a left side view thereof; and,  
FIG. 7 is a top view thereof.

The broken lines in the drawings illustrate environmental subject matter only and form no part of the claimed design.

**1 Claim, 7 Drawing Sheets**



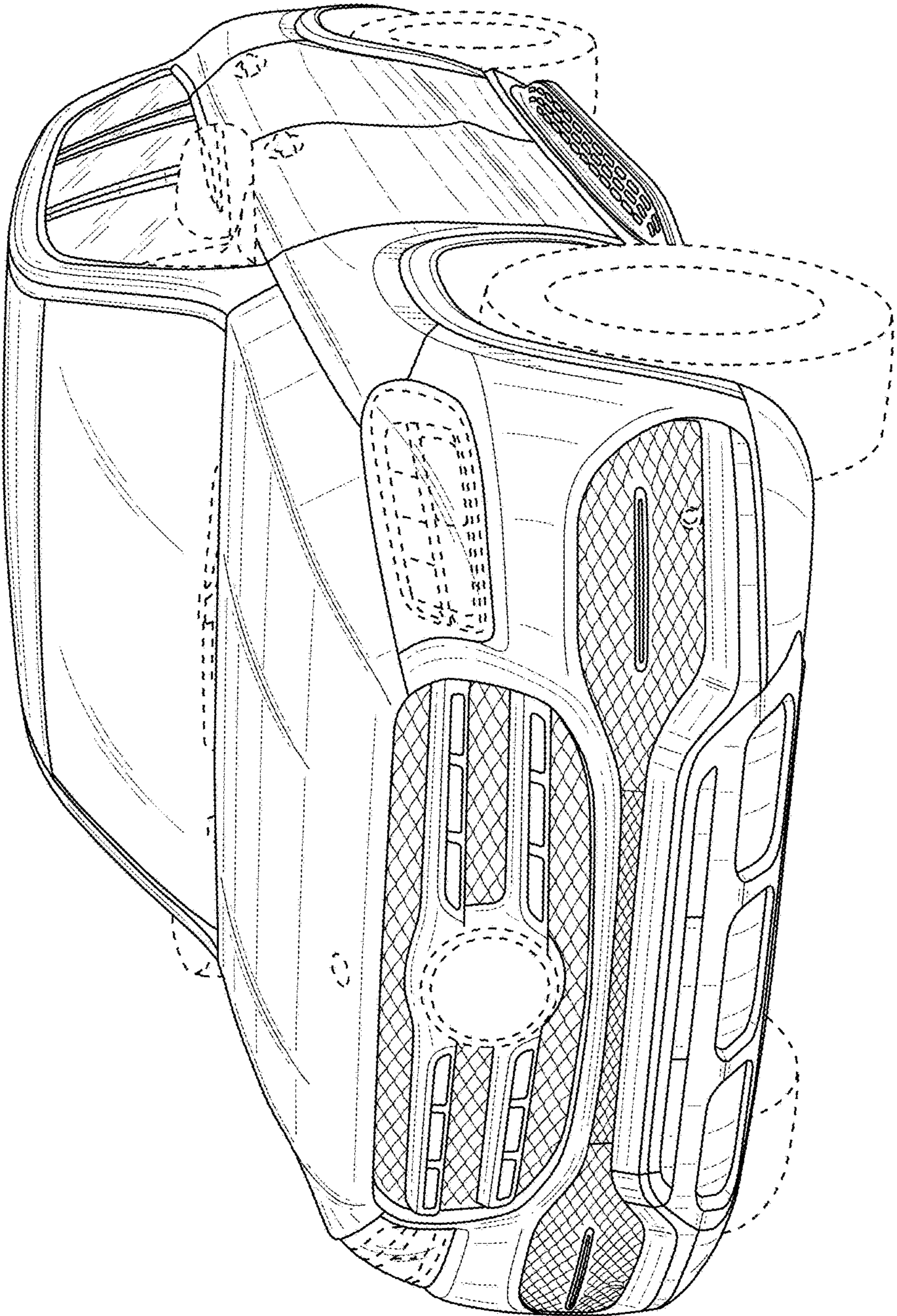
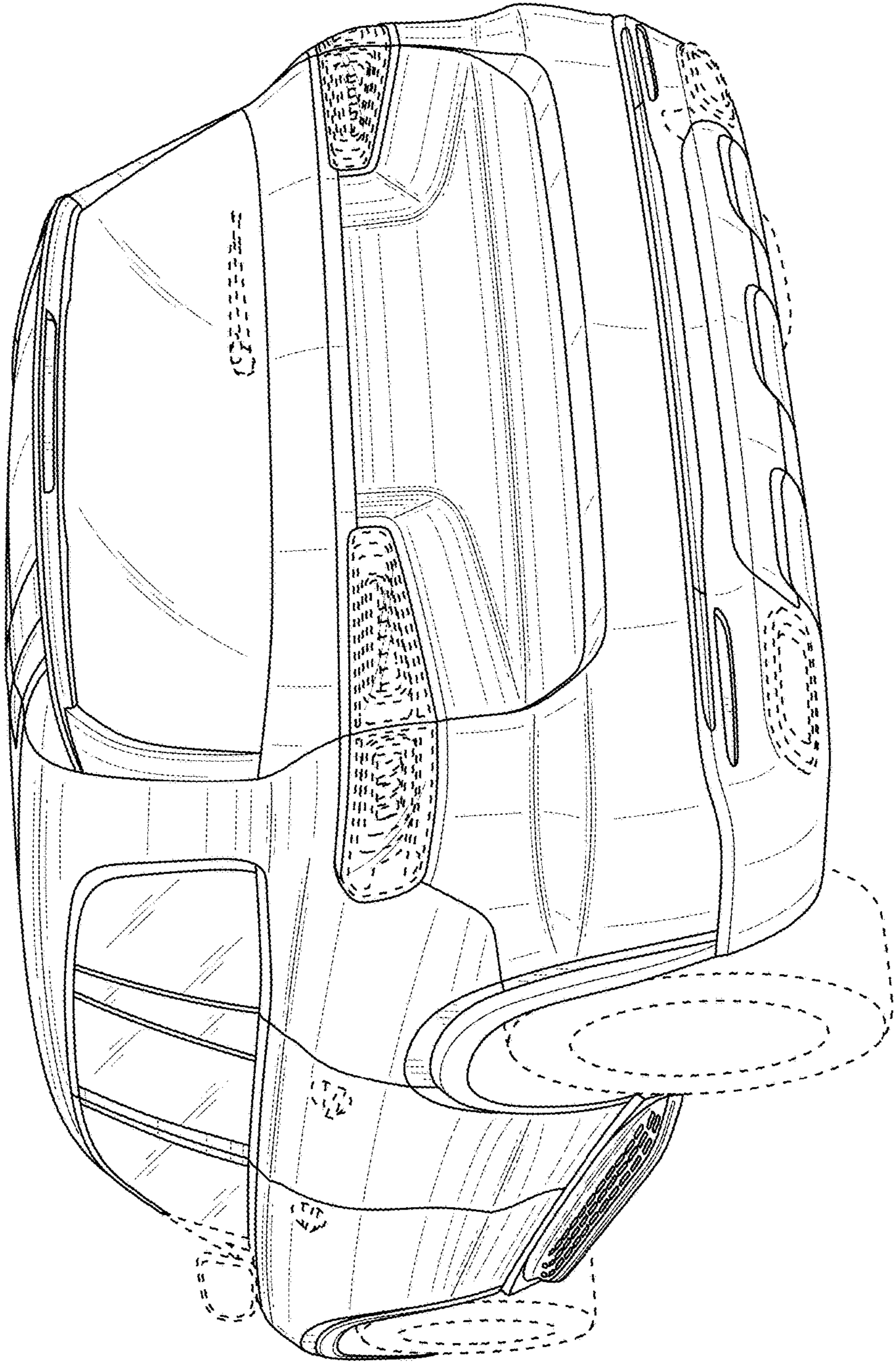


FIG. 1



**FIG. 2**

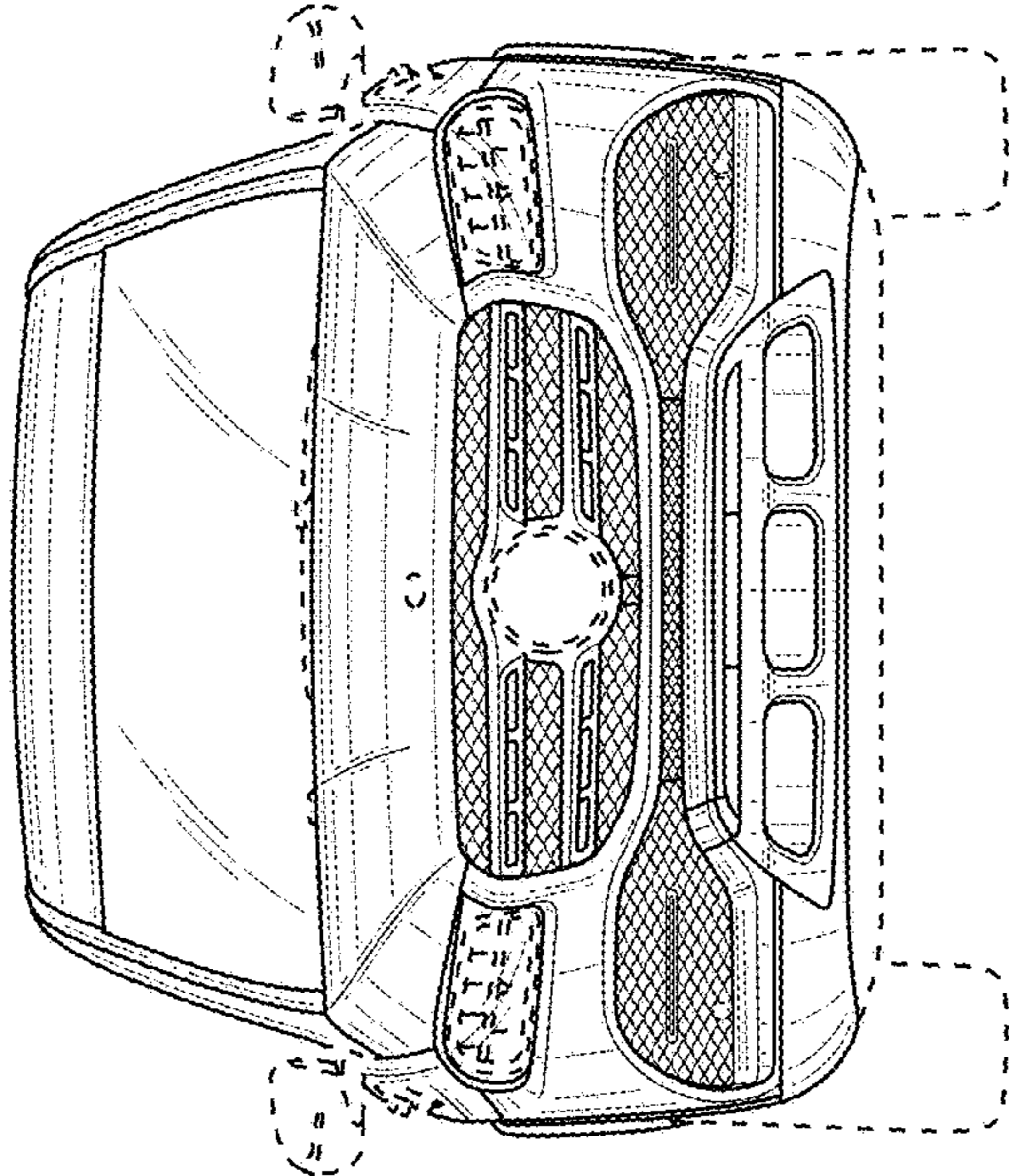
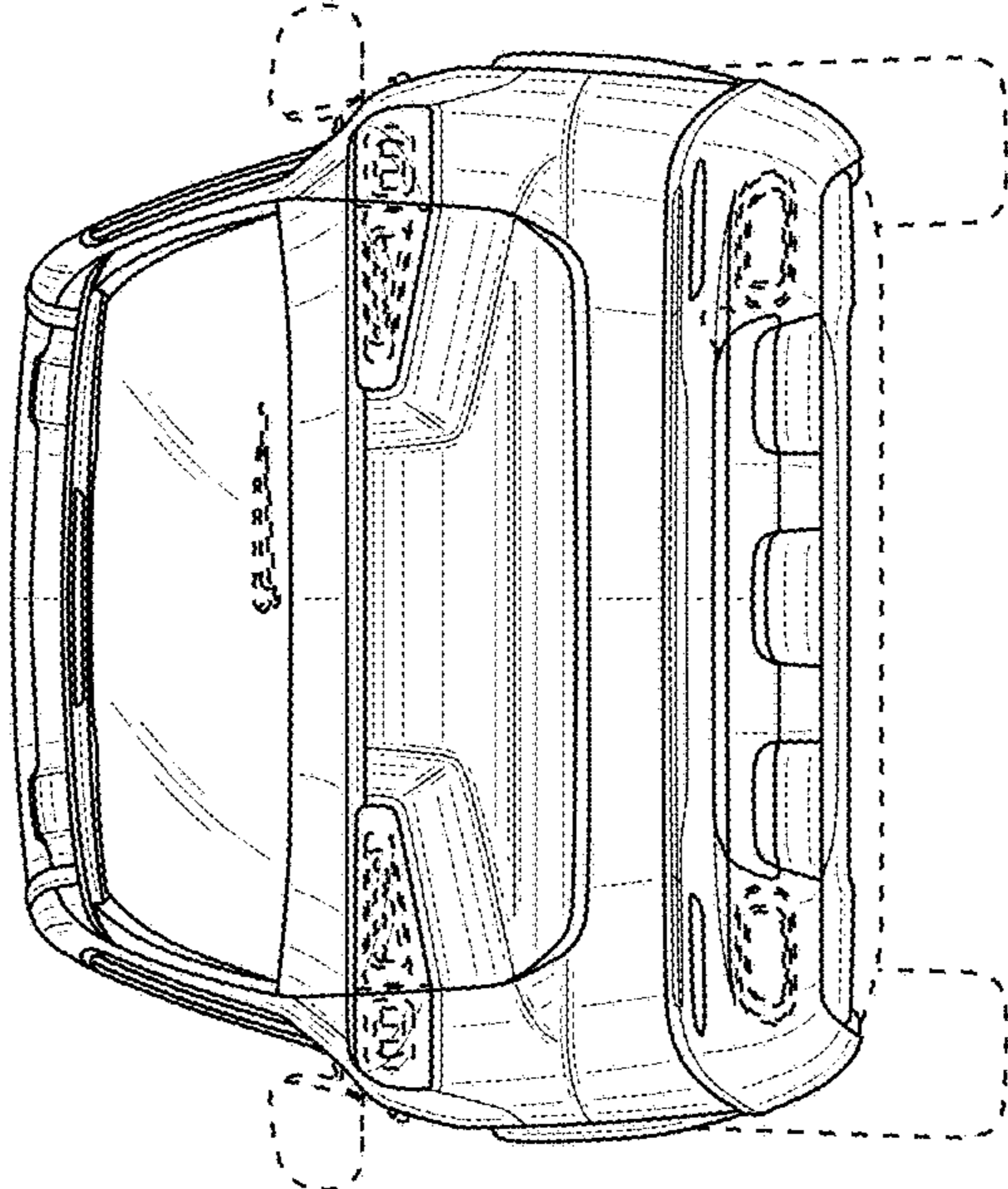
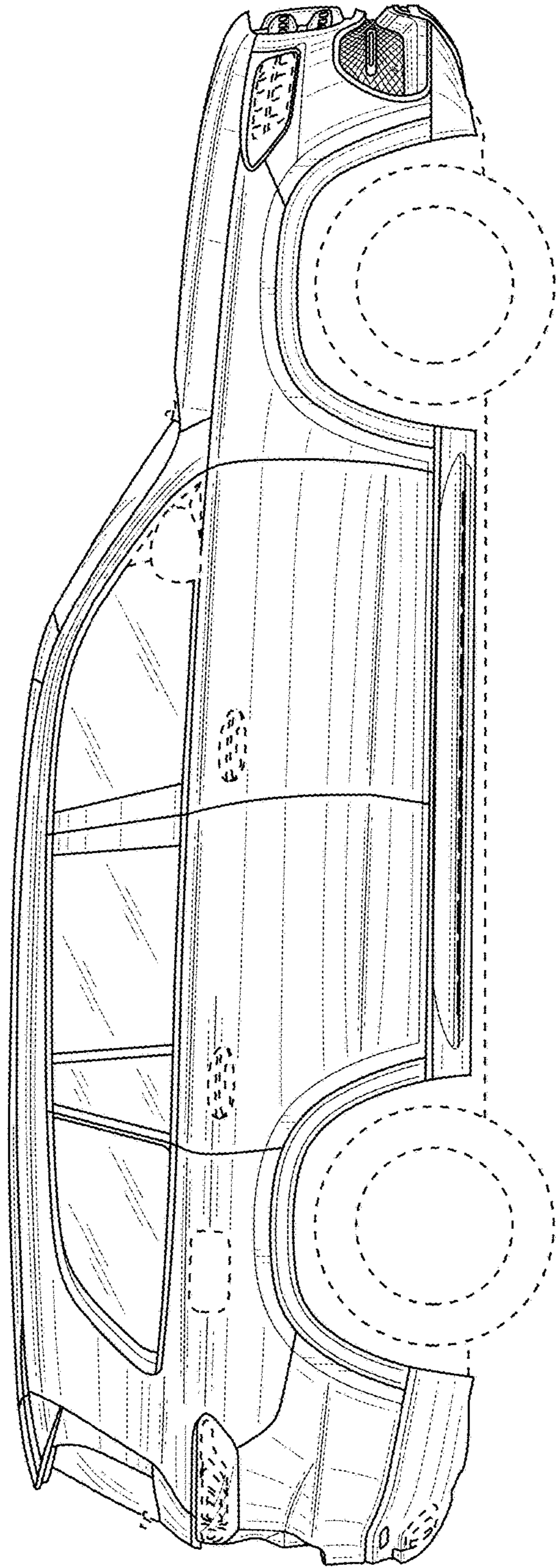


FIG. 3



**FIG. 4**



**FIG. 5**

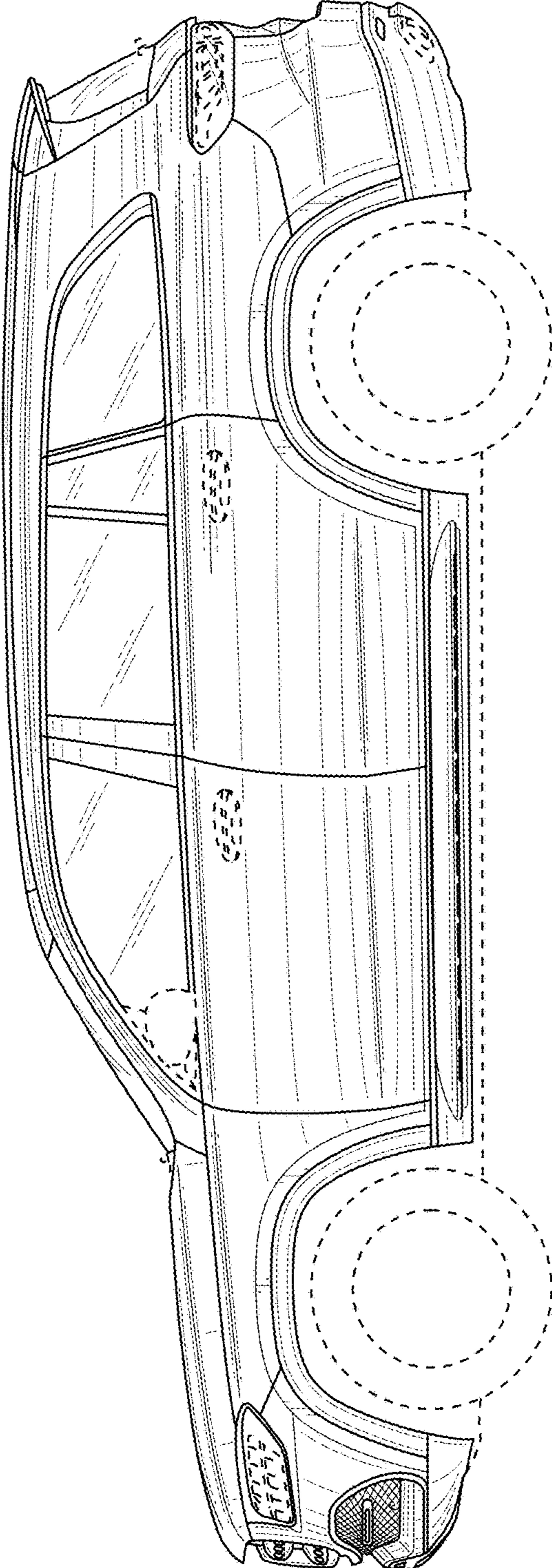


FIG. 6

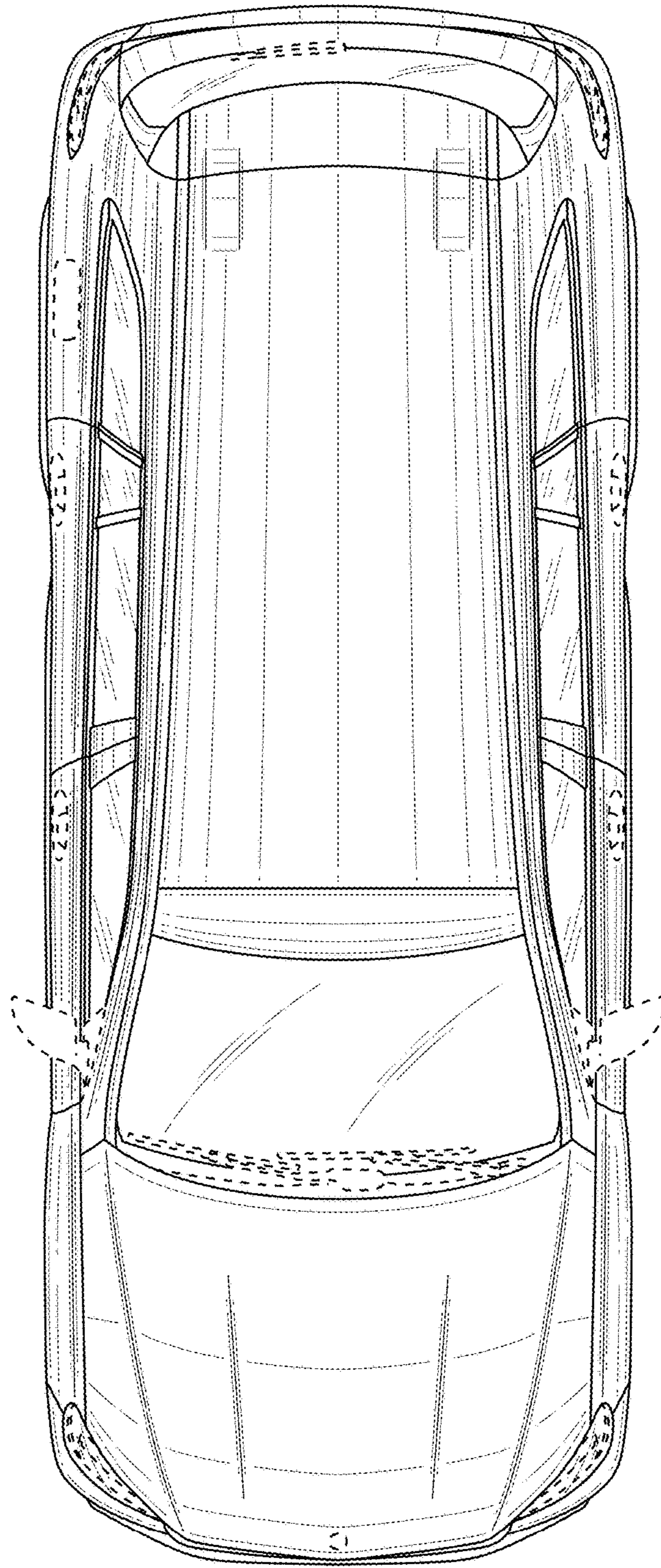


FIG. 7