

US00D862286S

(12) **United States Design Patent**
Flores

(10) **Patent No.:** **US D862,286 S**

(45) **Date of Patent:** **** Oct. 8, 2019**

- (54) **SIDE-BY-SIDE MOTOR VEHICLE**
- (71) Applicant: **Yamaha Hatsudoki Kabushiki Kaisha**,
Shizuoka-ken (JP)
- (72) Inventor: **Julio Flores**, Garden Grove, CA (US)
- (73) Assignee: **YAMAHA HATSUDOKI**
KABUSHIKI KAISHA (JP)

D650,311 S *	12/2011	Bracy	D12/87
D662,855 S *	7/2012	Wang	D12/87
D701,469 S *	3/2014	Lai	D12/87
D703,102 S *	4/2014	Eck	D12/87
D762,522 S *	8/2016	Kinoshita	D12/87
9,713,976 B2 *	7/2017	Miller	B60P 1/04
9,718,351 B2 *	8/2017	Ripley	B60K 17/08
9,776,481 B2 *	10/2017	Deckard	B62D 21/183
D804,993 S *	12/2017	Eck	D12/87
D835,545 S *	12/2018	Hanten	D12/87
10,246,153 B2 *	4/2019	Deckard	B60N 2/90

(**) Term: **15 Years**

* cited by examiner

(21) Appl. No.: **29/637,598**

Primary Examiner — Darlington Ly

(22) Filed: **Feb. 20, 2018**

(74) *Attorney, Agent, or Firm* — Ostrolenk Faber LLP

(51) **LOC (12) Cl.** **12-08**

(57) **CLAIM**

(52) **U.S. Cl.**
USPC **D12/87**

The ornamental design for a side-by-side motor vehicle, as shown and described.

(58) **Field of Classification Search**
USPC D12/3, 4, 5, 14, 85, 86, 87, 107, 110
CPC B62D 23/00; B62D 21/18; B62D 21/183;
B62D 24/02; B62D 25/00; B62D 39/00;
B62D 49/06; B62D 49/0621
See application file for complete search history.

DESCRIPTION

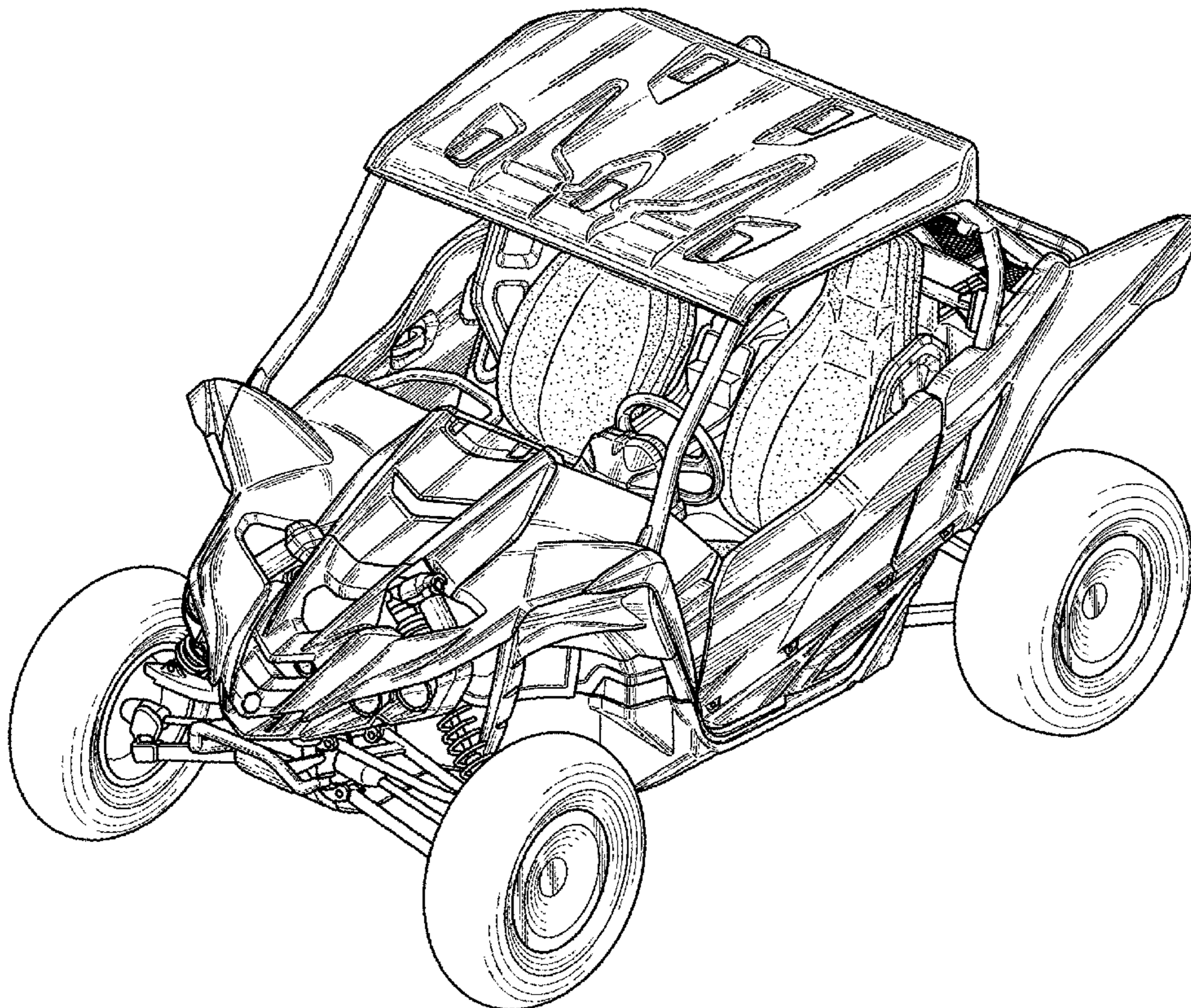
FIG. 1 is a top, front, and left side perspective view of a side-by-side motor vehicle showing my new design; FIG. 2 is a top, rear, and right side perspective view thereof; FIG. 3 is a front elevation view thereof; FIG. 4 is a rear elevation view thereof; FIG. 5 is a right side elevation view thereof; FIG. 6 is a left side elevation view thereof; and, FIG. 7 is a top plan view thereof.

(56) **References Cited**

U.S. PATENT DOCUMENTS

D622,631 S *	8/2010	Lai	D12/87
D625,662 S *	10/2010	Li	D12/87

1 Claim, 7 Drawing Sheets



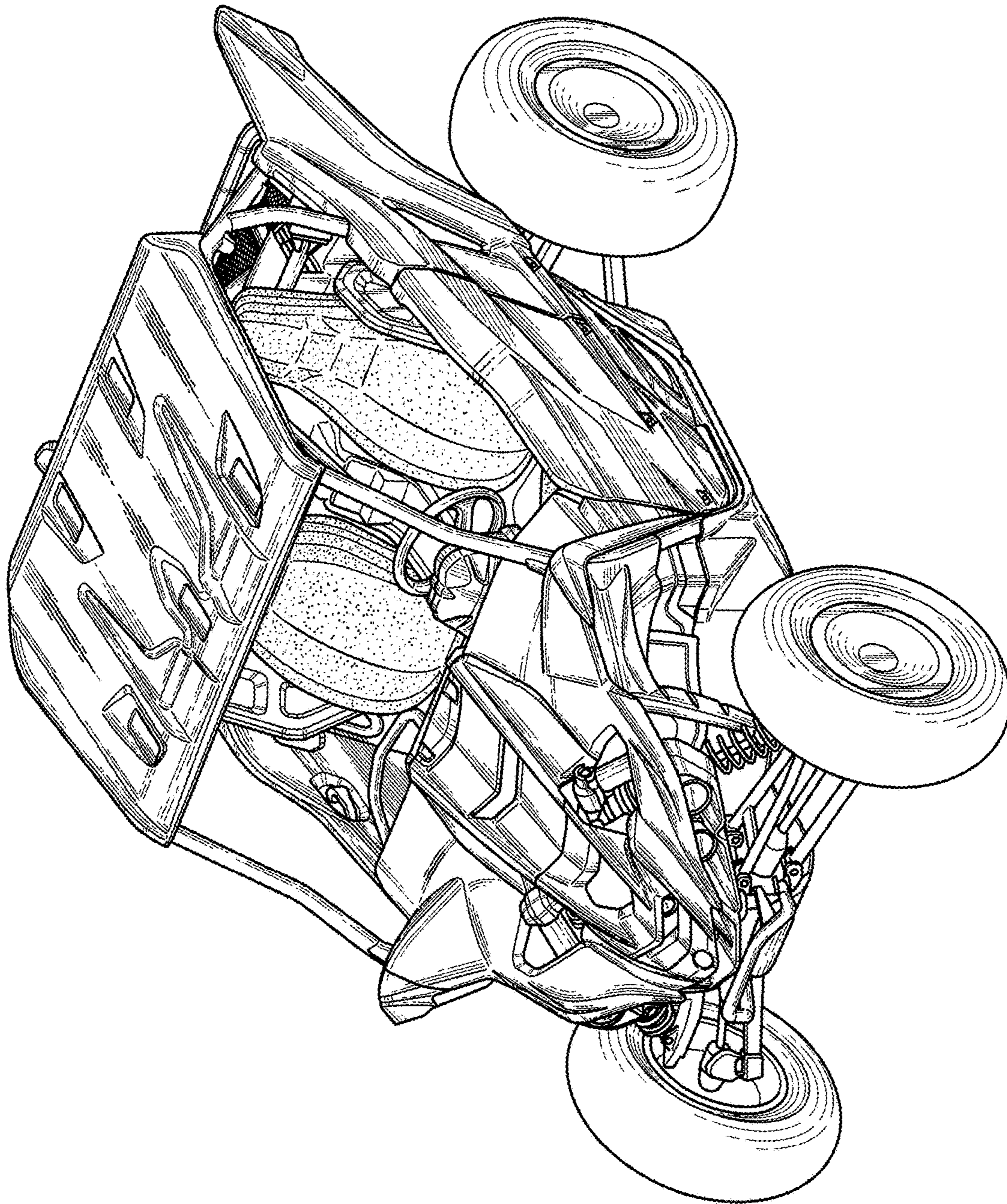


Fig.1

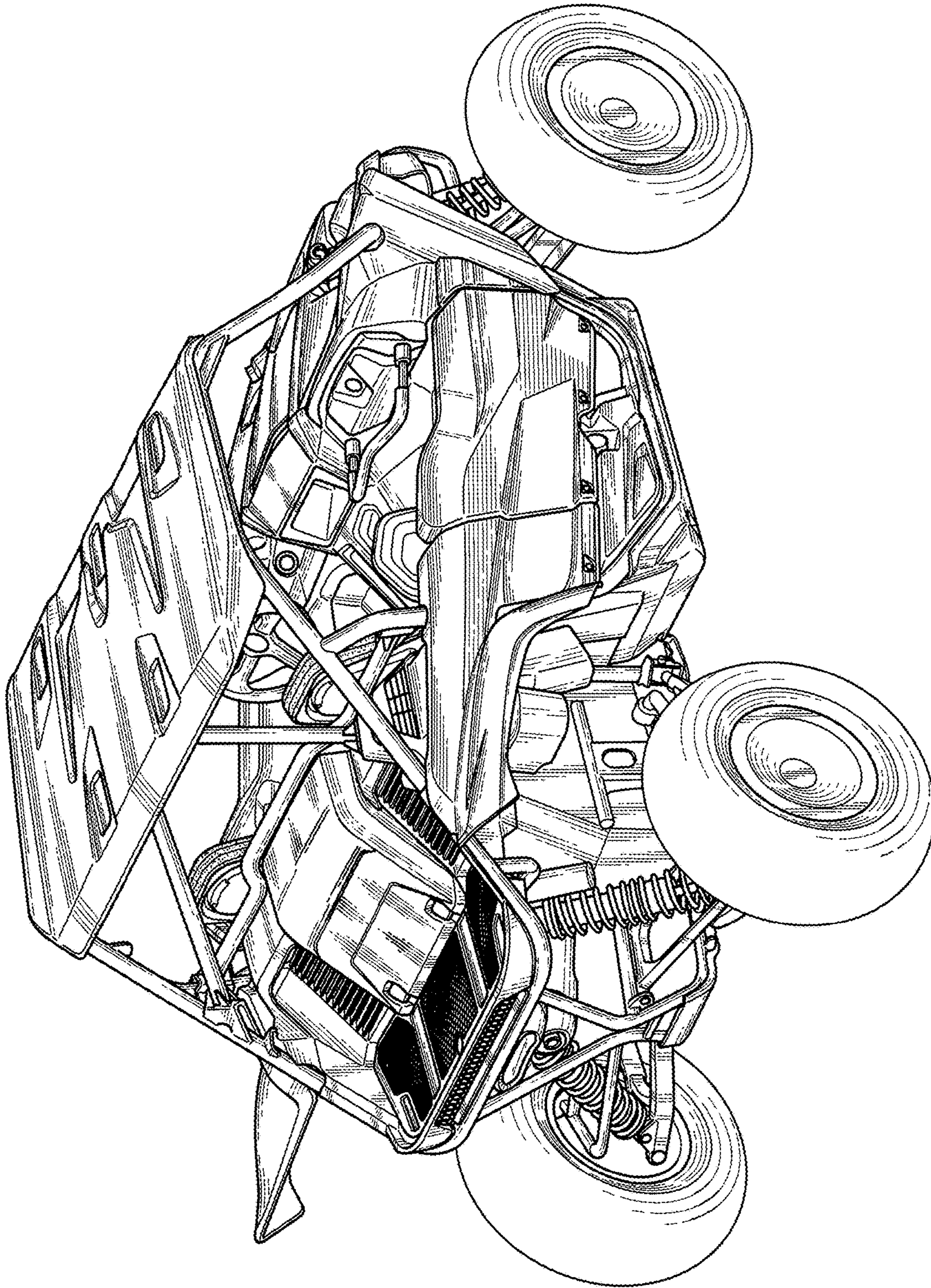


Fig.2

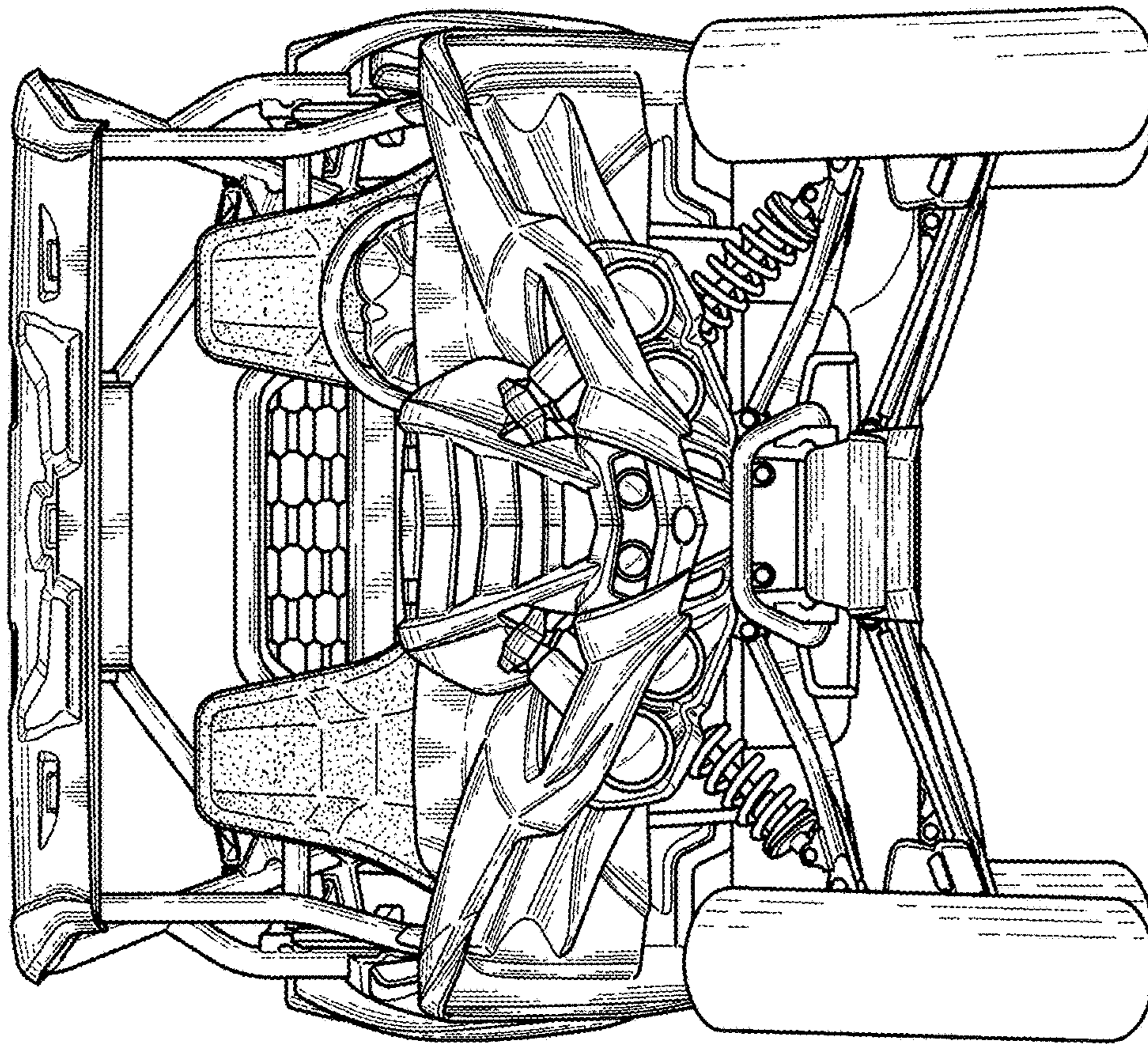


Fig.3

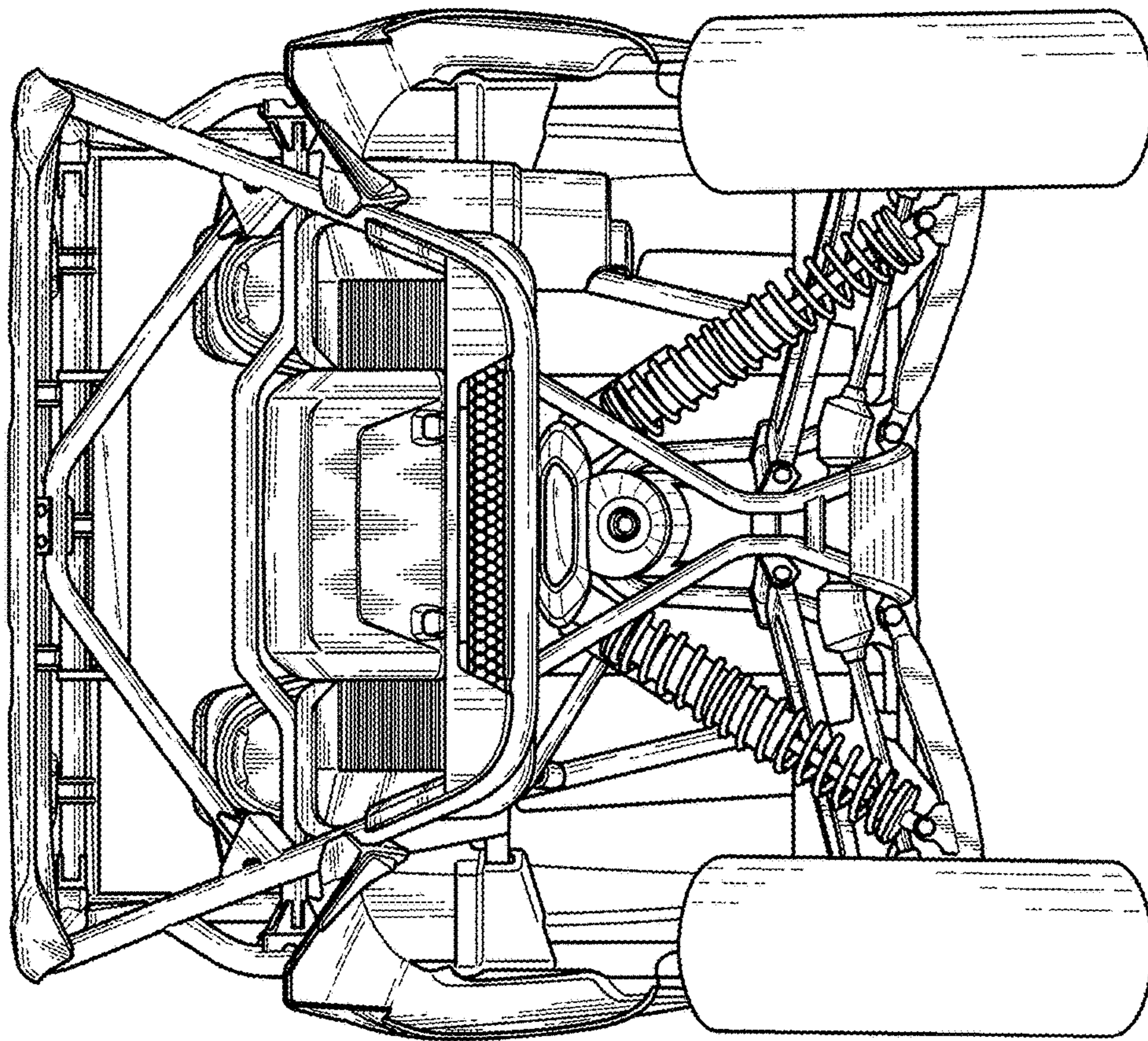


Fig.4

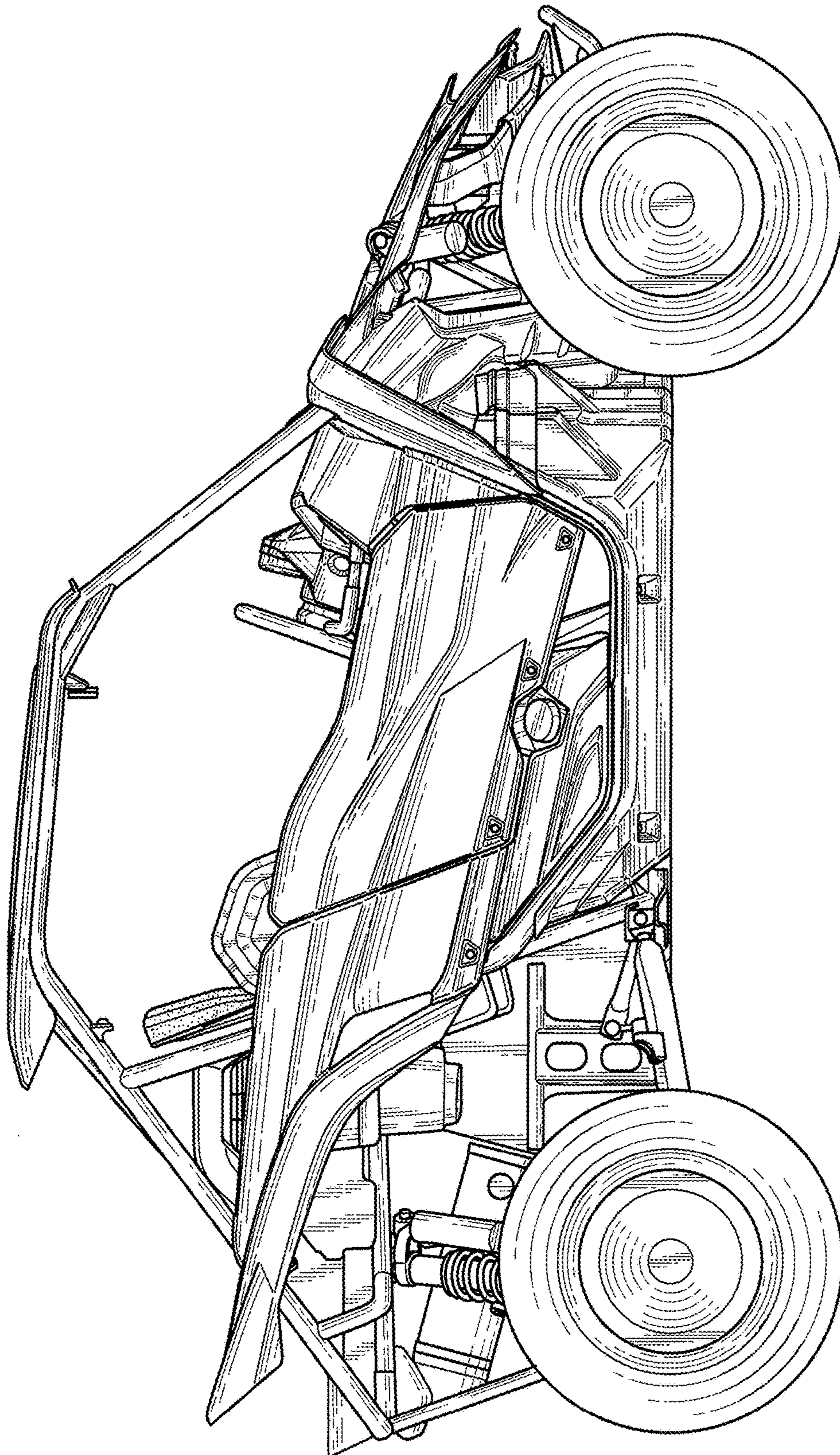


Fig.5

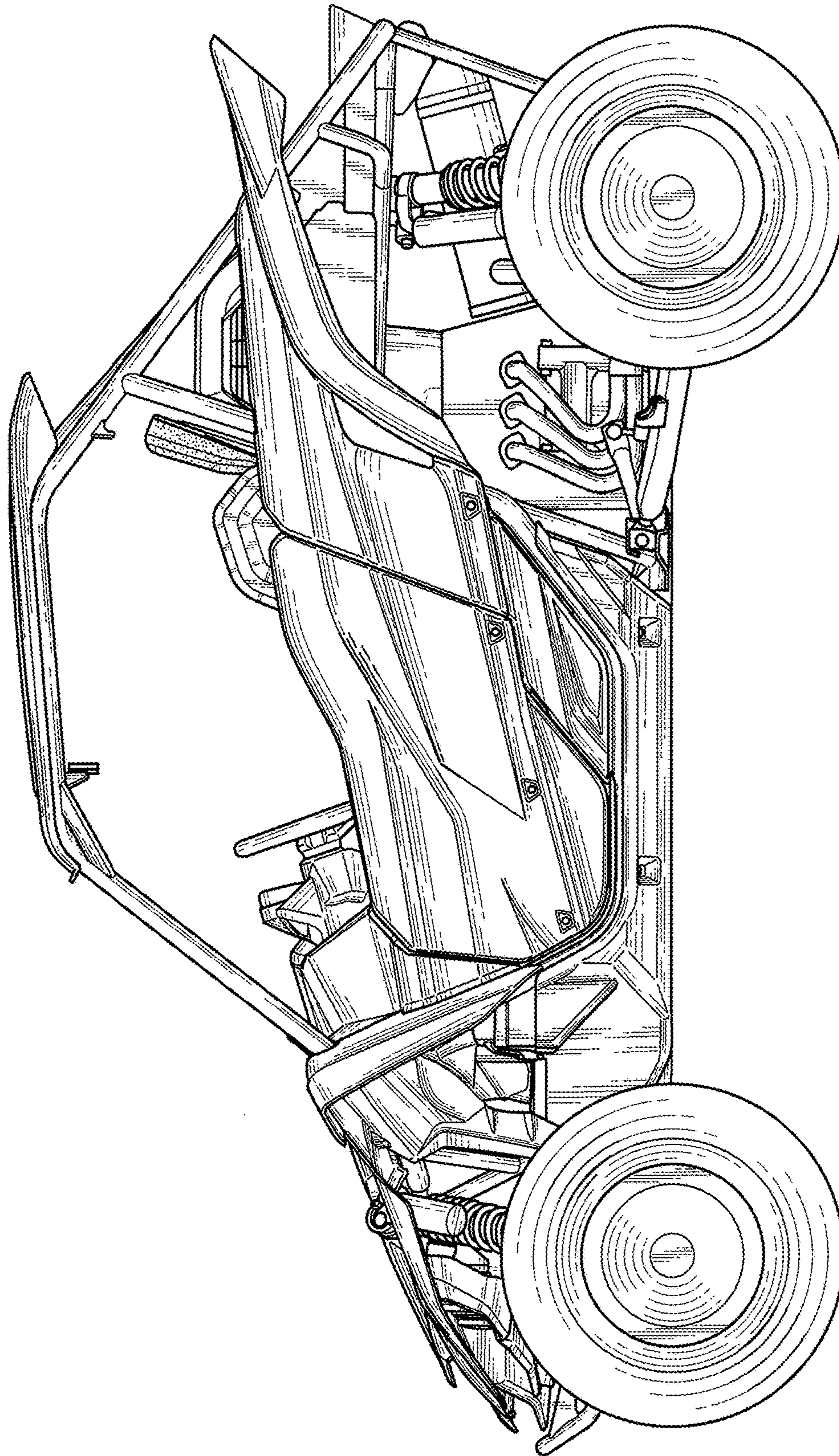


Fig.6

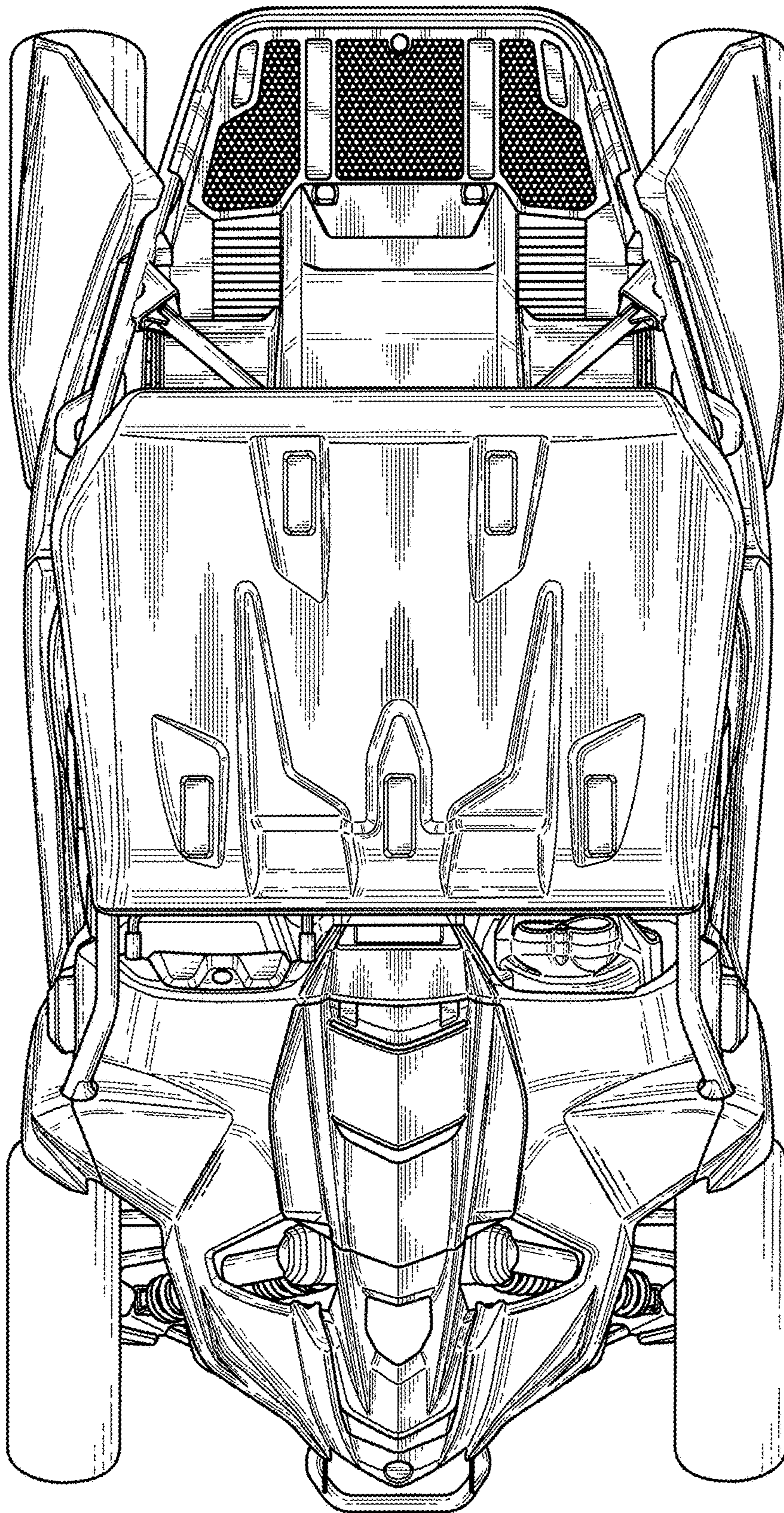


Fig.7