

US00D862285S

(12) **United States Design Patent**  
**Tompkin**

(10) **Patent No.:** **US D862,285 S**

(45) **Date of Patent:** **\*\* Oct. 8, 2019**

- (54) **DRONE**
- (71) Applicant: **MerchSource, LLC**, Irvine, CA (US)
- (72) Inventor: **Crispian Tompkin**, Los Angeles, CA (US)
- (73) Assignee: **MerchSource, LLC**, Irvine, CA (US)
- (\*\*) Term: **15 Years**
- (21) Appl. No.: **29/615,154**
- (22) Filed: **Aug. 25, 2017**
- (51) **LOC (12) Cl.** ..... **12-01**
- (52) **U.S. Cl.**  
USPC ..... **D12/16.1**
- (58) **Field of Classification Search**  
USPC ..... D12/319–345, 1–4, 16.1, 214;  
D21/436–454; D30/160  
CPC ..... B64C 29/0025; B64C 2201/108; B64C  
2201/048; B64C 2201/088; B64C 29/00;  
B64C 29/0058; B64C 39/001; B64C  
39/024; B64C 39/062; B64C 2201/141;  
B64C 27/12  
See application file for complete search history.

7,302,316	B2	11/2007	Beard et al.	
7,364,114	B2	4/2008	Wobben	
7,400,950	B2	7/2008	Reich	
7,472,863	B2	1/2009	Pak	
7,584,071	B2	9/2009	Lee	
7,699,260	B2	4/2010	Hughey	
D628,658	S *	12/2010	Wurm	D21/442
7,959,104	B2	6/2011	Kuntz	
8,016,226	B1 *	9/2011	Wood	B64C 29/0033 244/12.4
D648,808	S *	11/2011	Seydoux	D21/441
D648,809	S *	11/2011	Seydoux	D21/441
8,052,081	B2	11/2011	Olm et al.	
8,106,748	B2	1/2012	Lee	
D659,771	S *	5/2012	Seydoux	D21/441
8,175,763	B2	5/2012	Yamane et al.	
8,214,088	B2	7/2012	Lefebure	

(Continued)

**FOREIGN PATENT DOCUMENTS**

- WO 2015126447 A1 8/2015
- Primary Examiner* — Marissa J Cash
- (74) *Attorney, Agent, or Firm* — Avyno Law P.C.

(57) **CLAIM**

I claim the ornamental design for a drone, as shown and described.

**DESCRIPTION**

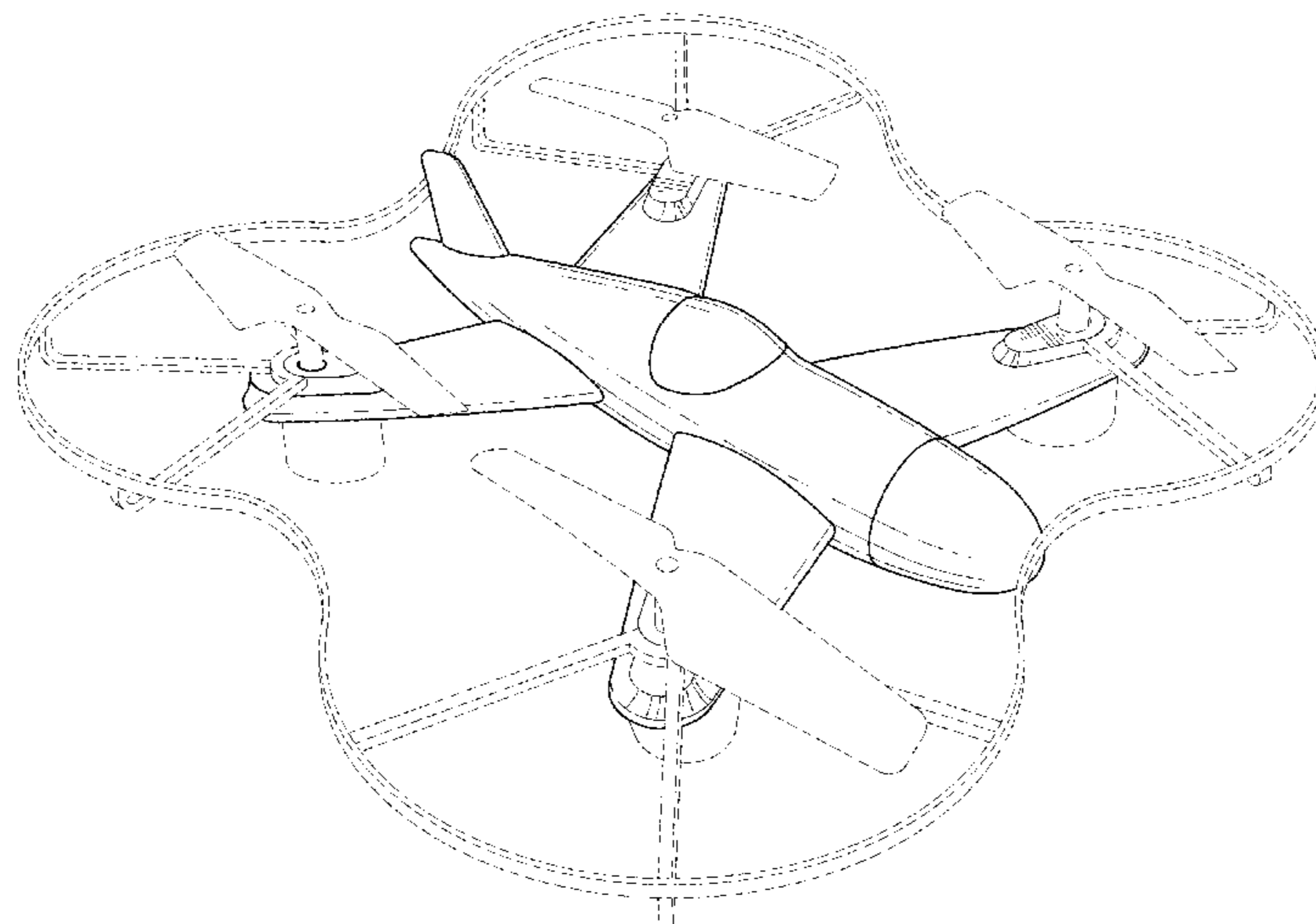
FIG. 1 is a top perspective view of a drone.  
 FIG. 2 is a top view of the drone of FIG. 1.  
 FIG. 3 is a bottom view of the drone of FIG. 1.  
 FIG. 4 is a side view of the right side of the drone of FIG. 1.  
 FIG. 5 is a side view of the left side of the drone of FIG. 1.  
 FIG. 6 is a front view of the drone of FIG. 1; and,  
 FIG. 7 is a rear view of the drone of FIG. 1.  
 In the drawings, the broken lines depict portions of the drone that form no part of the claimed design.

**1 Claim, 5 Drawing Sheets**

(56) **References Cited**

**U.S. PATENT DOCUMENTS**

D133,001	S *	7/1942	Spooner	D12/344
2,478,847	A	8/1949	Stuart, III	
D189,462	S *	12/1960	Vogt	D12/329
3,053,480	A	9/1962	Vanderlip	
D197,038	S *	12/1963	Howard	D12/329
4,161,843	A	7/1979	Hui	
5,043,646	A	8/1991	Smith, III et al.	
5,738,300	A	4/1998	Durand	
D439,378	S *	3/2001	Loomis	D30/160
D458,892	S *	6/2002	DeTore	D12/319
D461,159	S *	8/2002	Miralles	D12/319
D465,196	S *	11/2002	Dammar	D12/328



(56)

## References Cited

## U.S. PATENT DOCUMENTS

- 8,265,808 B2 9/2012 Garrec et al.  
8,292,215 B2 10/2012 Olm et al.  
8,322,648 B2 12/2012 Kroetsch et al.  
8,328,128 B2 12/2012 Wiggerich  
8,328,130 B2 12/2012 Goossen  
D691,514 S \* 10/2013 Wang ..... D12/16.1  
8,594,862 B2 11/2013 Callou et al.  
D707,614 S \* 6/2014 Colten ..... D12/319  
8,774,982 B2 7/2014 Oakley et al.  
D710,452 S \* 8/2014 Barajas ..... D12/16.1  
D710,453 S \* 8/2014 Barajas ..... D12/16.1  
D710,454 S \* 8/2014 Barajas ..... D12/16.1  
8,794,564 B2 8/2014 Hutson  
8,794,566 B2 8/2014 Hutson  
8,827,200 B2 9/2014 Radu  
8,931,730 B2 1/2015 Wang et al.  
8,973,861 B2 3/2015 Zhou et al.  
8,983,682 B1 \* 3/2015 Peeters ..... B64C 39/024  
244/190  
8,983,684 B2 3/2015 Callou et al.  
8,991,740 B2 3/2015 Olm et al.  
9,004,973 B2 4/2015 Condon et al.  
9,016,617 B2 4/2015 Wang et al.  
9,020,666 B2 4/2015 Ohtomo et al.  
D728,445 S \* 5/2015 Colten ..... D12/16.1  
9,051,043 B1 \* 6/2015 Peeters ..... B64C 19/00  
9,051,050 B2 6/2015 Achteik et al.  
9,061,558 B2 6/2015 Kalantari et al.  
9,145,207 B2 9/2015 Moschetta et al.  
D741,751 S \* 10/2015 Klaptocz ..... D12/16.1  
D741,779 S \* 10/2015 Hsiao ..... D12/16.1  
D743,867 S \* 11/2015 Kapitan ..... D12/319  
9,199,733 B2 \* 12/2015 Keennon ..... B64C 27/12  
9,221,536 B2 12/2015 Wang et al.  
D749,490 S \* 2/2016 Klick ..... D12/319  
9,260,184 B2 \* 2/2016 Olm ..... B64C 27/08  
D756,842 S \* 5/2016 Ashjaee ..... D12/16.1  
D759,764 S \* 6/2016 Lai ..... D12/16.1  
9,359,070 B2 \* 6/2016 Caubel ..... B64C 27/08  
9,364,766 B2 6/2016 Mielniczek  
D760,848 S \* 7/2016 McKenna ..... D12/16.1  
D761,690 S \* 7/2016 Friesmuth ..... D12/16.1  
9,387,927 B2 \* 7/2016 Rischmuller ..... B64C 39/024  
D763,134 S \* 8/2016 Wang ..... D12/16.1  
D767,043 S \* 9/2016 Morrison ..... D12/16.1  
D768,539 S \* 10/2016 Lee ..... D12/16.1  
D768,540 S \* 10/2016 Ji ..... D12/16.1  
D768,789 S \* 10/2016 Fargeau ..... D12/16.1  
D770,572 S \* 11/2016 Caubel ..... D21/441  
D772,756 S \* 11/2016 Gambus ..... D12/16.1  
D772,991 S \* 11/2016 Caubel ..... D12/16.1  
9,493,235 B2 \* 11/2016 Zhou ..... B60F 5/02  
D777,263 S \* 1/2017 Lavagen ..... D12/16.1  
9,540,121 B2 \* 1/2017 Byers ..... B64C 39/024  
D779,595 S \* 2/2017 Xiao ..... D12/16.1  
9,567,076 B2 \* 2/2017 Zhang ..... B64C 1/00  
D782,365 S \* 3/2017 Hung ..... D12/16.1  
D782,366 S \* 3/2017 Xiao ..... D12/16.1  
9,592,910 B1 \* 3/2017 Beckman ..... B64C 27/463  
9,594,381 B1 \* 3/2017 Clark ..... G05D 1/101  
9,599,992 B2 \* 3/2017 Kohstall ..... G05D 1/101  
D783,727 S \* 4/2017 Xiao ..... D21/441  
D784,201 S \* 4/2017 Goldy ..... D12/16.1  
D784,202 S \* 4/2017 Park ..... D12/16.1  
D784,854 S \* 4/2017 Huang ..... D12/16.1  
D785,541 S \* 5/2017 Du ..... D12/328  
D785,717 S \* 5/2017 Xiao ..... D21/441  
D789,248 S \* 6/2017 Ketcher ..... D12/16.1  
9,676,481 B1 \* 6/2017 Buchmueller ..... B64D 1/12  
9,682,772 B2 \* 6/2017 Yoon ..... B60F 5/02  
D793,482 S \* 8/2017 Wang ..... D12/16.1  
D793,486 S \* 8/2017 Lee ..... D21/453  
D795,741 S \* 8/2017 Li ..... D12/16.1  
D795,742 S \* 8/2017 Li ..... D12/16.1  
D795,743 S \* 8/2017 Li ..... D12/16.1  
D795,784 S \* 8/2017 Guo ..... D12/328  
D795,967 S \* 8/2017 Haley ..... D12/16.1  
D796,586 S \* 9/2017 Chen ..... D12/16.1  
D797,602 S \* 9/2017 Li ..... D12/16.1  
D797,859 S \* 9/2017 Caubel ..... D21/441  
D798,961 S \* 10/2017 Li ..... D21/441  
D798,962 S \* 10/2017 Xiao ..... D21/441  
D798,963 S \* 10/2017 Xiao ..... D21/441  
D799,402 S \* 10/2017 Cummings ..... D12/327  
D800,016 S \* 10/2017 Huang ..... D12/16.1  
D801,224 S \* 10/2017 Li ..... D12/16.1  
D801,856 S \* 11/2017 Zhou ..... D12/16.1  
D803,098 S \* 11/2017 Lee ..... D12/16.1  
D803,328 S \* 11/2017 Lee ..... D21/441  
D805,425 S \* 12/2017 Hanscom ..... D11/202  
D805,431 S \* 12/2017 Li ..... D12/16.1  
D806,606 S \* 1/2018 Morrison ..... D12/16.1  
D807,273 S \* 1/2018 Koppenwallner ..... D12/337  
D807,785 S \* 1/2018 Taylor ..... D12/16.1  
D808,301 S \* 1/2018 Goldy ..... D12/16.1  
D808,328 S \* 1/2018 Ivans ..... D12/328  
9,868,524 B2 \* 1/2018 Welsh ..... B64C 39/024  
D809,970 S \* 2/2018 Zhou ..... D12/16.1  
D809,992 S \* 2/2018 Hu ..... D12/328  
D810,653 S \* 2/2018 Hu ..... D12/327  
D813,143 S \* 3/2018 Belik ..... D12/326  
D813,723 S \* 3/2018 Ahn ..... D12/16.1  
D813,724 S \* 3/2018 Hu ..... D12/16.1  
9,927,682 B2 \* 3/2018 Fisher ..... G03B 15/006  
D814,385 S \* 4/2018 Zhao ..... D12/328  
D814,970 S \* 4/2018 Chen ..... D12/16.1  
D814,971 S \* 4/2018 Huang ..... D12/16.1  
D814,972 S \* 4/2018 Ahn ..... D12/16.1  
D816,546 S \* 5/2018 Wang ..... D12/16.1  
D816,581 S \* 5/2018 Zhao ..... D12/328  
D817,850 S \* 5/2018 Xiao ..... D12/328  
D818,872 S \* 5/2018 Ho ..... D12/16.1  
D818,874 S \* 5/2018 Tian ..... D12/16.1  
9,979,000 B2 \* 5/2018 Qiu ..... B64C 39/024  
9,986,233 B1 \* 5/2018 Curlander ..... H04N 17/002  
D819,749 S \* 6/2018 Caubel ..... D21/449  
D822,579 S \* 7/2018 Lienhard ..... D12/328  
10,011,346 B2 \* 7/2018 Beckman ..... B64C 11/18  
D825,379 S \* 8/2018 Gury ..... D12/16.1  
10,053,213 B1 \* 8/2018 Tu ..... B64C 29/0025  
D827,723 S \* 9/2018 Barajas ..... D21/442  
D827,724 S \* 9/2018 Barajas ..... D21/453  
D830,229 S \* 10/2018 Lutterodt ..... D12/16.1  
D830,896 S \* 10/2018 Lutterodt ..... D12/16.1  
D830,946 S \* 10/2018 Matus ..... D12/328  
D831,538 S \* 10/2018 Gan ..... D12/16.1  
10,086,309 B2 \* 10/2018 Yamada ..... A63H 27/12  
10,095,087 B2 \* 10/2018 Kim ..... B64C 25/10  
10,131,426 B2 \* 11/2018 Judas ..... B64C 29/0025  
10,131,428 B1 \* 11/2018 Sopper ..... B64C 27/08  
10,150,563 B2 \* 12/2018 Harada ..... G05B 19/048  
10,155,585 B2 \* 12/2018 Johannesson ..... B64C 27/50  
10,185,318 B2 \* 1/2019 Enke ..... G05D 1/0088  
10,189,580 B2 \* 1/2019 Lorell ..... B64D 47/08  
10,192,538 B2 \* 1/2019 Yamagishi ..... B64C 39/024  
10,203,692 B2 \* 2/2019 Smith ..... G05D 1/0094  
10,217,367 B2 \* 2/2019 Chun ..... B64C 39/024  
10,222,808 B2 \* 3/2019 Bardinnet ..... B64C 39/024  
10,224,526 B2 \* 3/2019 Qiu ..... B64C 39/024  
D846,445 S \* 4/2019 Tompkin ..... D12/16.1  
2002/0104922 A1 8/2002 Nakamura  
2008/0006737 A1 1/2008 Aircraft  
2010/0044499 A1 2/2010 Dragan et al.  
2010/0243794 A1 9/2010 Jermyn  
2011/0001020 A1 \* 1/2011 Forgac ..... B64C 29/0033  
244/7 A  
2011/0049290 A1 3/2011 Seydoux et al.  
2011/0226892 A1 9/2011 Crowther et al.  
2014/0043493 A1 2/2014 Bateman et al.  
2014/0263822 A1 9/2014 Malveaux  
2015/0051755 A1 \* 2/2015 Erhart ..... A63H 27/12  
701/2  
2015/0321759 A1 \* 11/2015 Caubel ..... B64C 39/024  
244/17.23

(56)

**References Cited**

U.S. PATENT DOCUMENTS

2016/0100093 A1 4/2016 Schield et al.  
2016/0104384 A1 4/2016 Hanel et al.  
2016/0179096 A1\* 6/2016 Bradlow ..... B64C 19/00  
701/8  
2017/0274983 A1\* 9/2017 Beckman ..... B64C 11/48

\* cited by examiner

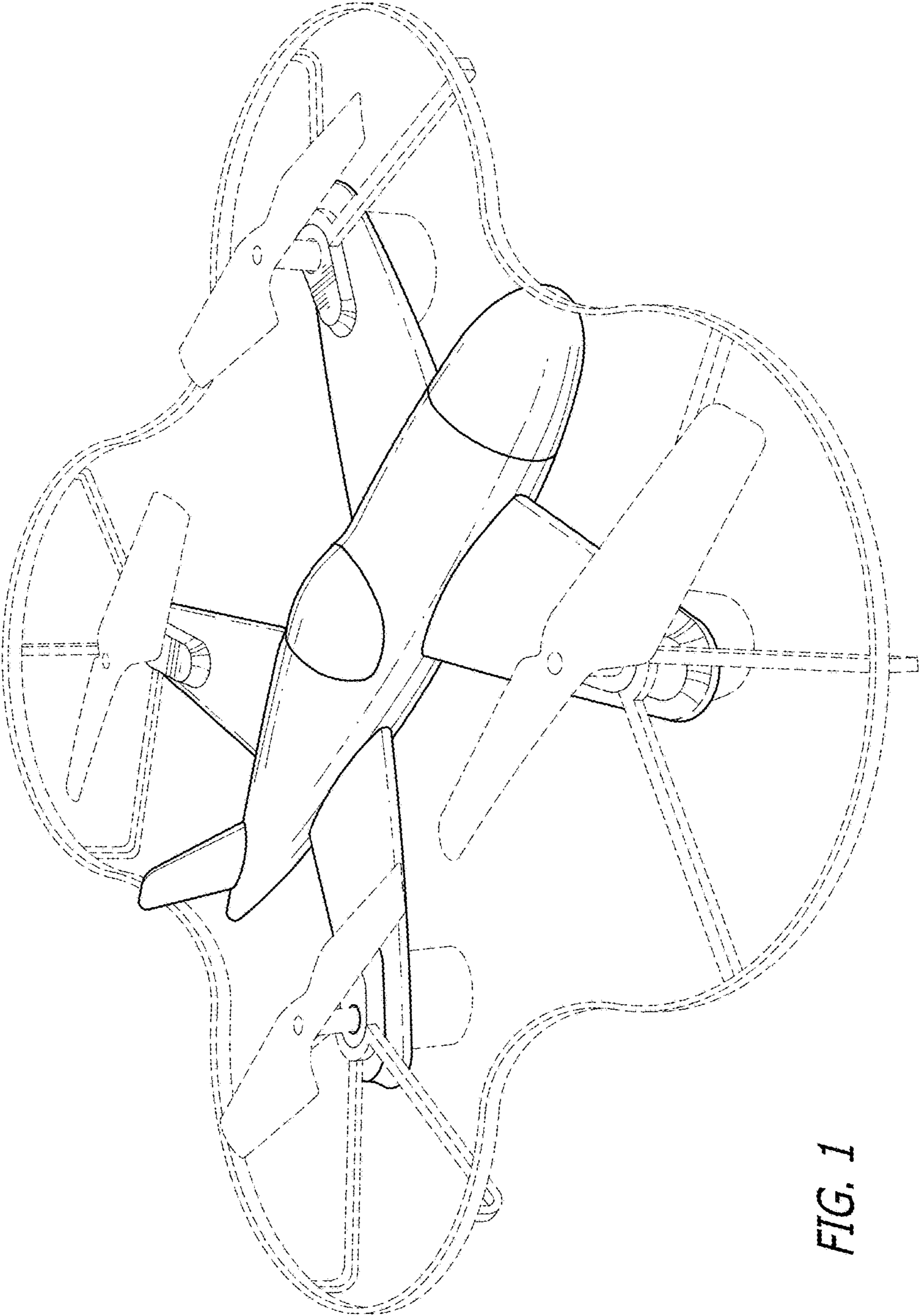


FIG. 1

FIG. 2

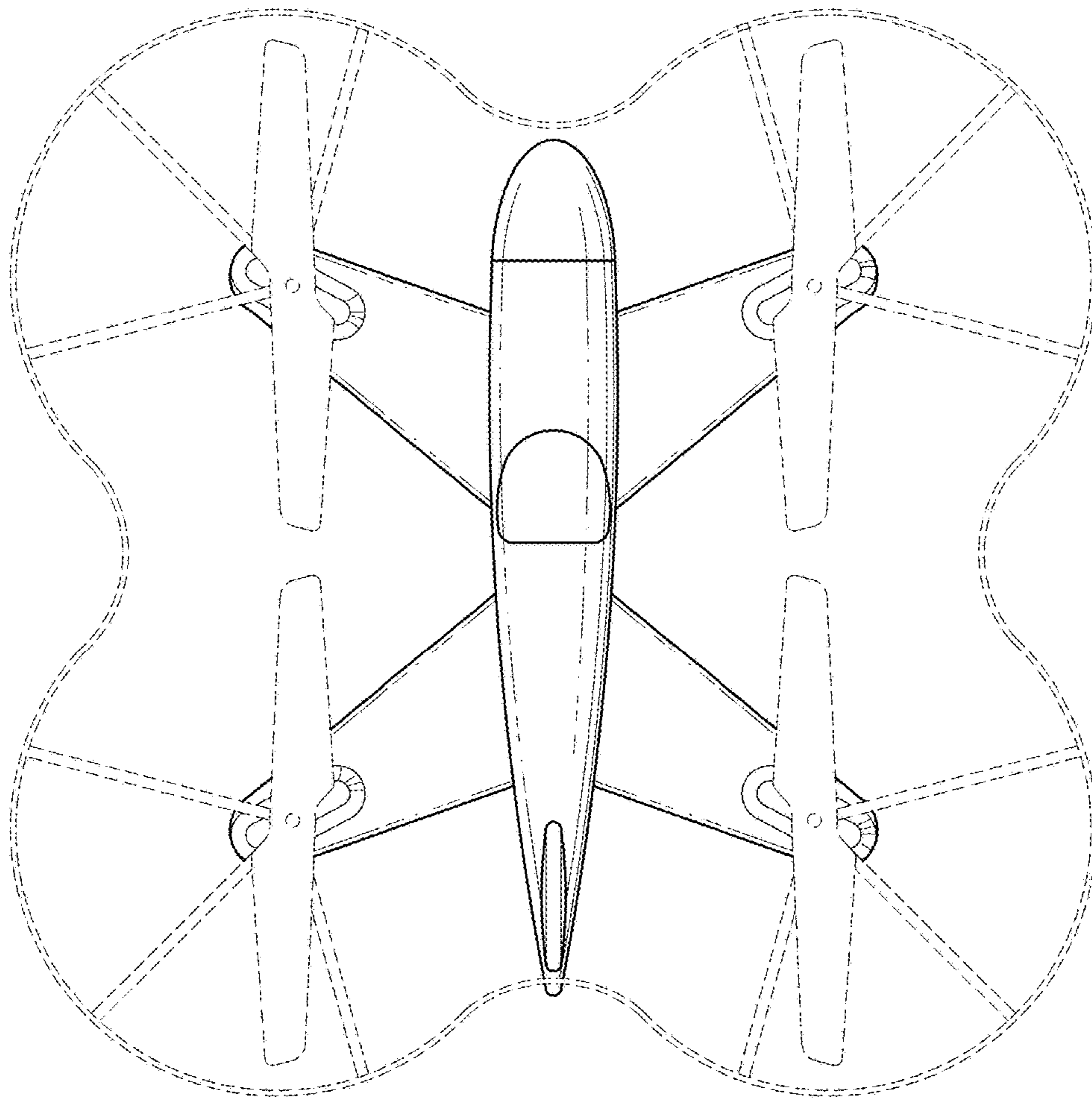
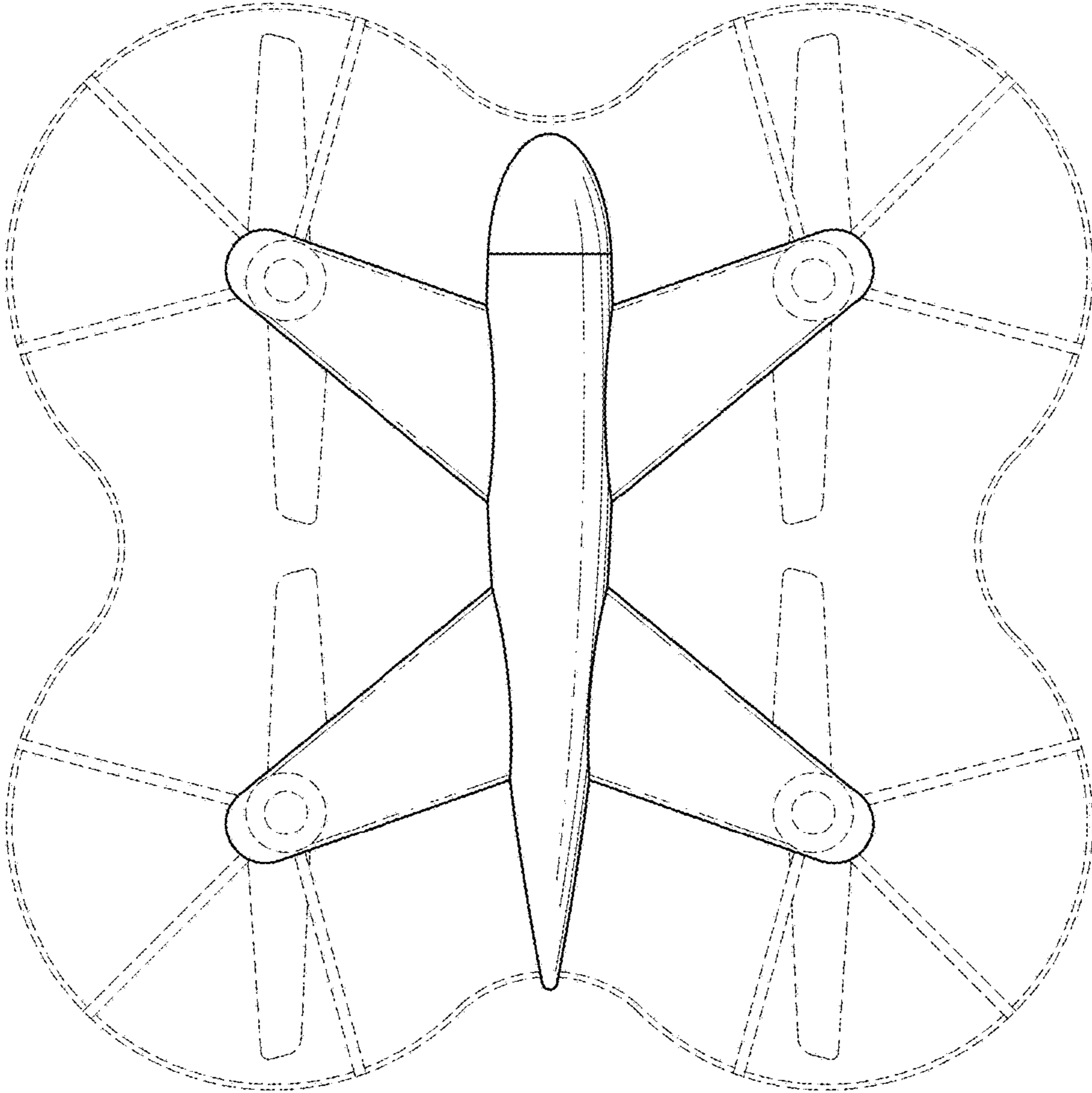


FIG. 3



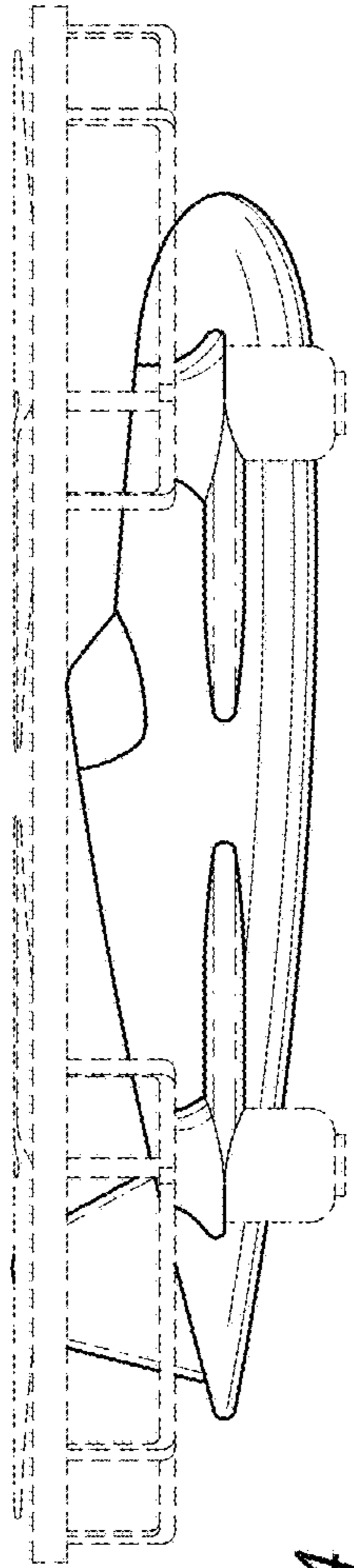


FIG. 4

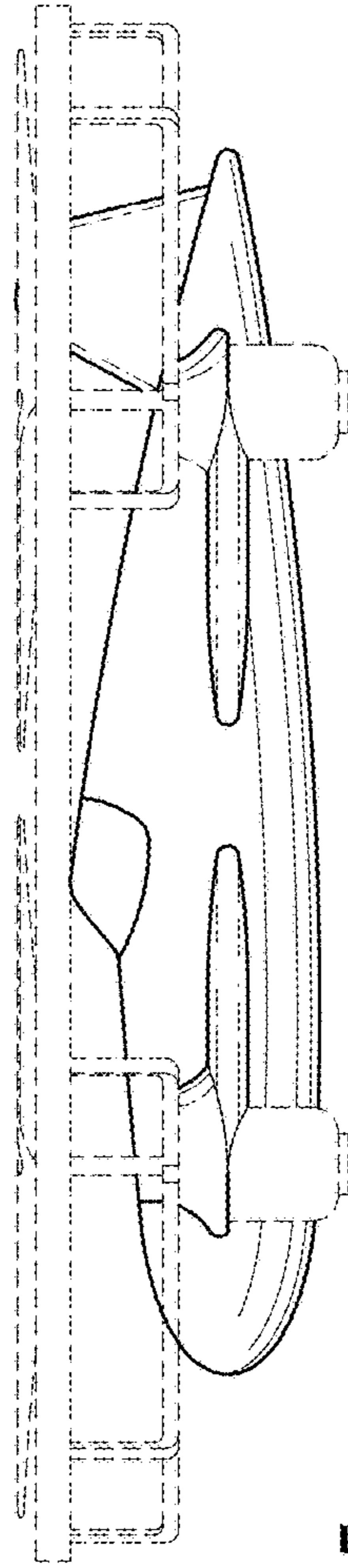


FIG. 5

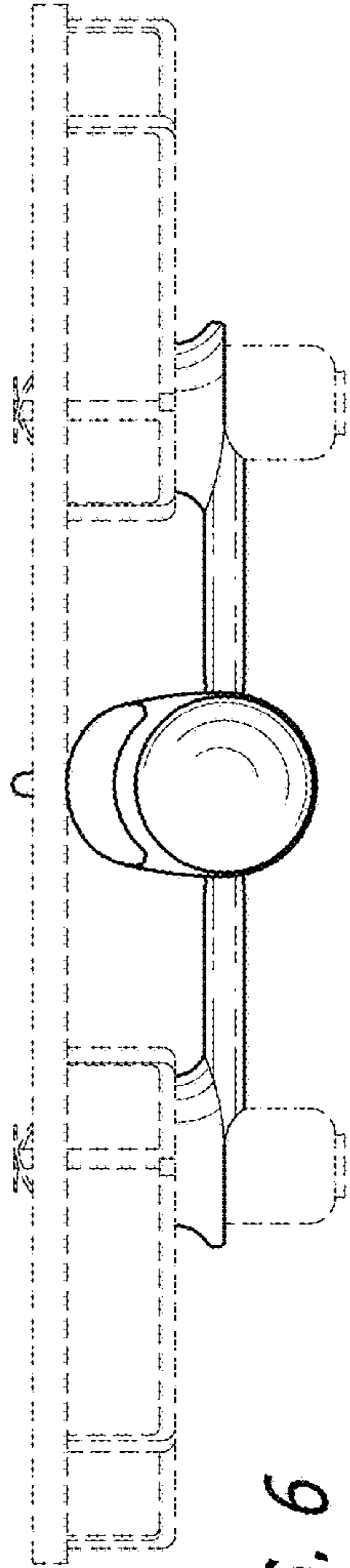


FIG. 6

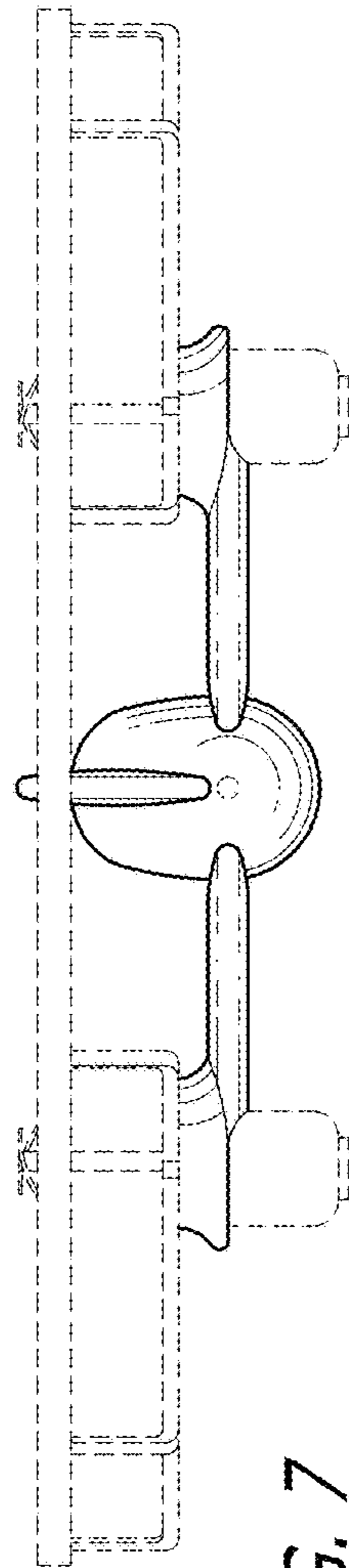


FIG. 7